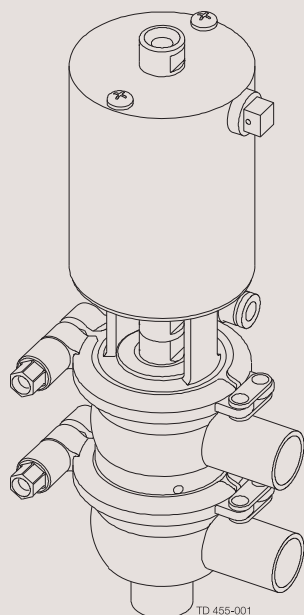


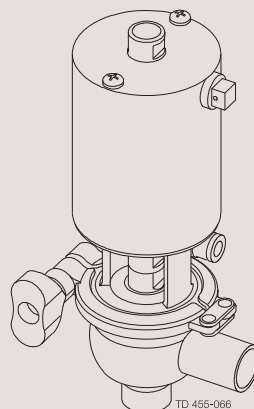


Spare Parts

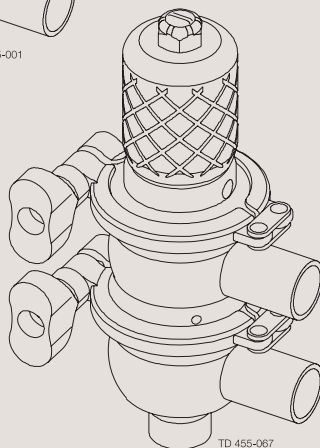
Unique SSSV



TD 455-001

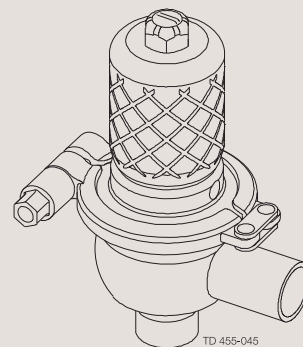


TD 455-066



TD 455-110

TD 455-067

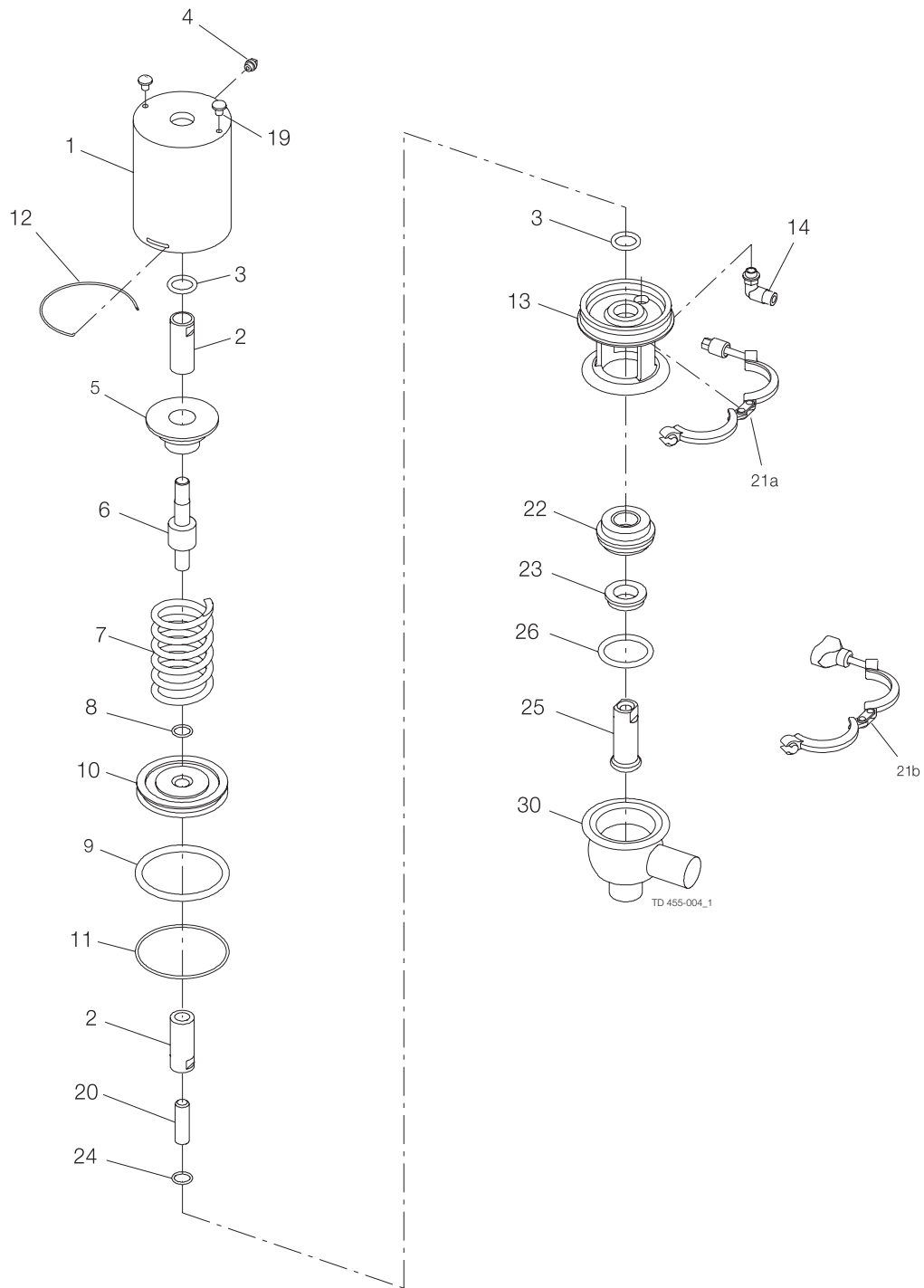


TD 455-045

Table of contents

The information herein is correct at the time of issue but may be subject to change without prior notice

1. Unique SSSV - shut-off valve 12.7-19mm	4
2. Unique SSSV - change-over valve 12.7-19 mm	6
3. Unique SSSV - shut-off valve manual 12.7-19 mm	8
4. Unique SSSV - change-over valve manual 12.7-19 mm	10
5. Unique SSSV - adapter for ThinkTop	12



Unique SSSV - shut-off valve 12.7-19mm

Pos	Qty	Denomination	12.7 mm	19 mm
		Actuator, complete NC	9612940401	9612940402
		Piston/spring package, complete (pos. 2+5+6+7+8+10)	9612940424	9612940425
1	1	Cylinder	9612939602	9612939604
2	2	Middle piece		
		Please order a piston/spring package, cpl.		
3	□ 2	O-ring, NBR		
4	1	Plug		
5	1	Guide pin		
		Please order a piston/spring package, cpl.		
6	1	Piston rod		
		Please order a piston/spring package, cpl.		
7	1	Spring		
		Please order a piston/spring package, cpl.		
8	1	O-ring, NBR		
		Please order a piston/spring package, cpl.		
9	□ 1	O-ring, NBR		
10	1	Piston		
		Please order a piston/spring package, cpl.		
11	□ 1	O-ring, NBR		
12	1	Lock wire	9612939401	9612939401
13	1	Bonnet	9612939002	9612939002
14	1	Air fitting	9611991988	9611991988
19	2	Screw	9611994401	9611994401
20	1	Threaded pin	9611994282	9611994282
21a	1	Clamp with hexnut	9612939301	9612939301
21b	1	Clamp with wingnut	9612939308	9612939308
22	1	Sealing element	9612939101	9612939101
23	♦ 1	Lip seal, EPDM		
		Lip seal, HNBR		
		Lip seal, FPM		
24	♦ 1	O-ring, NBR		
25	♦ 1	Stop plug		
26	♦ 1	O-ring, EPDM		
		O-ring, HNBR		
		O-ring, FPM		
30	1	Lower valve body, with welding ends, 2 ports	9612934417	9612934517
		Lower valve body, with welding ends, 3 ports	9612934418	9612934518
		Lower valve body, with clamp ends, 2 ports	9612934433	9612934533
		Lower valve body, with clamp ends, 3 ports	9612934434	9612934534
			12.7 mm	19 mm

Service kit for actuator

□	Service kit, NBR	9611926323	9611926323
---	-------------------------------	-------------------	-------------------

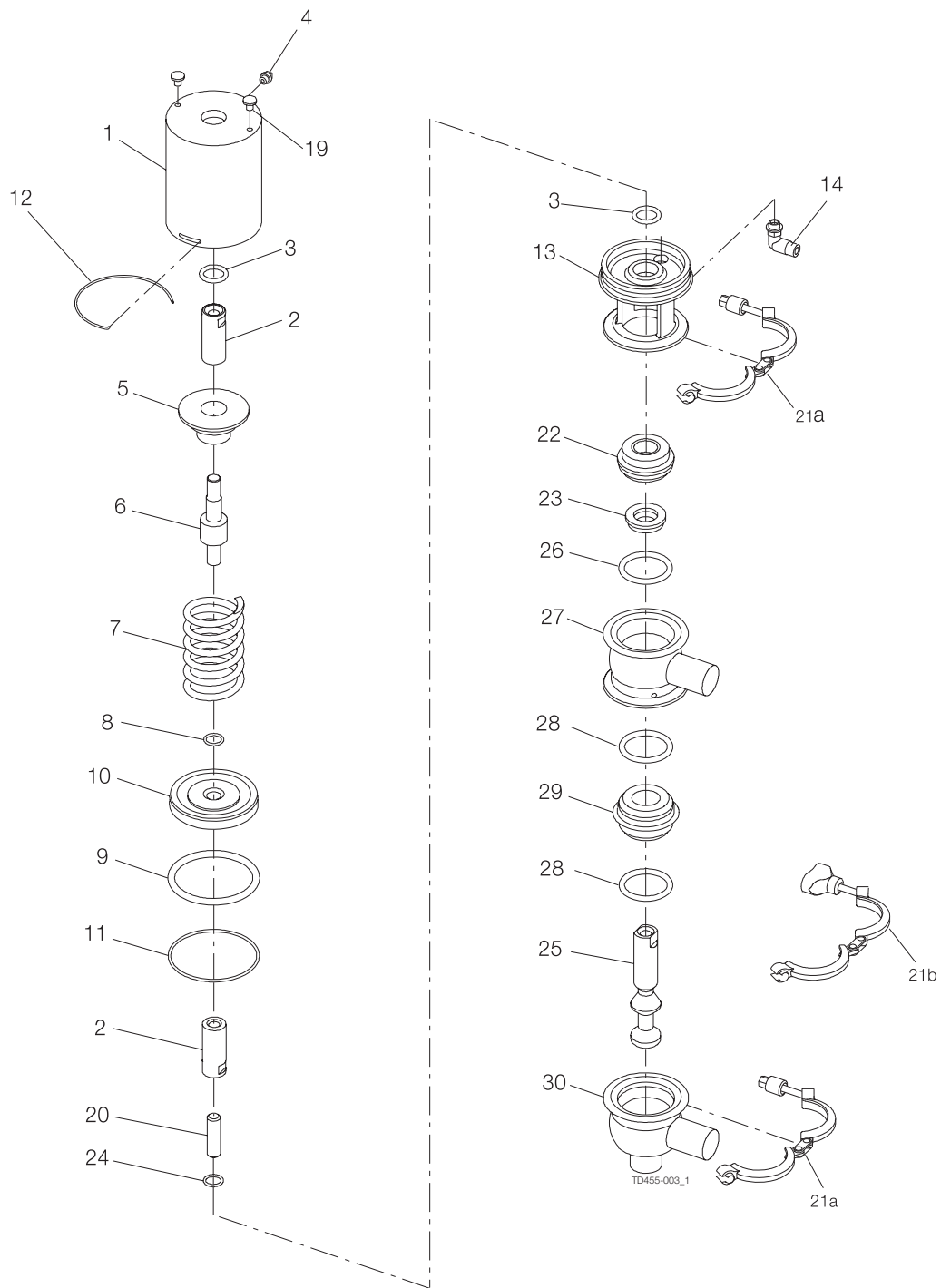
Service kits for product wetted parts, standard

♦	Service kits, EPDM	9611926319	9611926330
♦	Service kits, HNBR	9611926317	9611926328
♦	Service kits, FPM	9611926318	9611926329

Parts marked with □♦ are included in the service kit.

Recommended spare parts: service kits.

TD 900218/1



Unique SSSV - change-over valve 12.7-19 mm

Pos	Qty	Denomination	12.7 mm	19 mm
		Actuator, complete NC	9612940401	9612940402
		Piston/spring package, complete (pos. 2+5+6+7+8+10)	9612940424	9612940425
1	1	Cylinder	9612939602	9612939604
2	2	Middle piece		
		Please order a piston/spring package, cpl.		
3	□	2 O-ring, NBR		
4	1	Plug		
5	1	Guide pin		
		Please order a piston/spring package, cpl.		
6	1	Piston rod		
		Please order a piston/spring package, cpl.		
7	1	Spring		
		Please order a piston/spring package, cpl.		
8	1	O-ring, NBR		
		Please order a piston/spring package, cpl.		
9	□	1 O-ring, NBR		
10	1	Piston		
		Please order a piston/spring package, cpl.		
11	□	1 O-ring, NBR		
12	1	Lock wire	9612939401	9612939401
13	1	Bonnet	9612939002	9612939002
14	1	Air fitting	9611991988	9611991988
19	2	Screw	9611994401	9611994401
20	1	Threaded pin	9611994282	9611994282
21a	2	Clamp with hexnut	9612939301	9612939301
21b	2	Clamp with wingnut	9612939308	9612939308
22	1	Sealing element	9612939101	9612939101
23	♦	1 Lip seal, EPDM		
		1 Lip seal, HNBR		
		1 Lip seal, FPM		
24	♦	1 O-ring, NBR		
25	♦	1 Change-over plug		
26	♦	1 O-ring, EPDM		
		1 O-ring, HNBR		
		1 O-ring, FPM		
27	1	Upper valve body, with welding ends, 1 ports	9612934717	9612934817
		1 Upper valve body, with welding ends, 2 ports	9612934718	9612934818
		1 Upper valve body, with clamp ends, 1 ports	9612934733	9612934833
		1 Upper valve body, with clamp ends, 2 ports	9612934734	9612934834
28	♦	2 O-ring, EPDM		
		2 O-ring, HNBR		
		2 O-ring, FPM		
29	1	Valve seat	9612939201	9612939201
30	1	Lower valve body, with welding ends, 2 ports	9612934417	9612934517
		1 Lower valve body, with welding ends, 3 ports	9612934418	9612934518
		1 Lower valve body, with clamp ends, 2 ports	9612934433	9612934533
		1 Lower valve body, with clamp ends, 3 ports	9612934434	9612934534
			12.7 mm	19 mm

Service kits for actuator

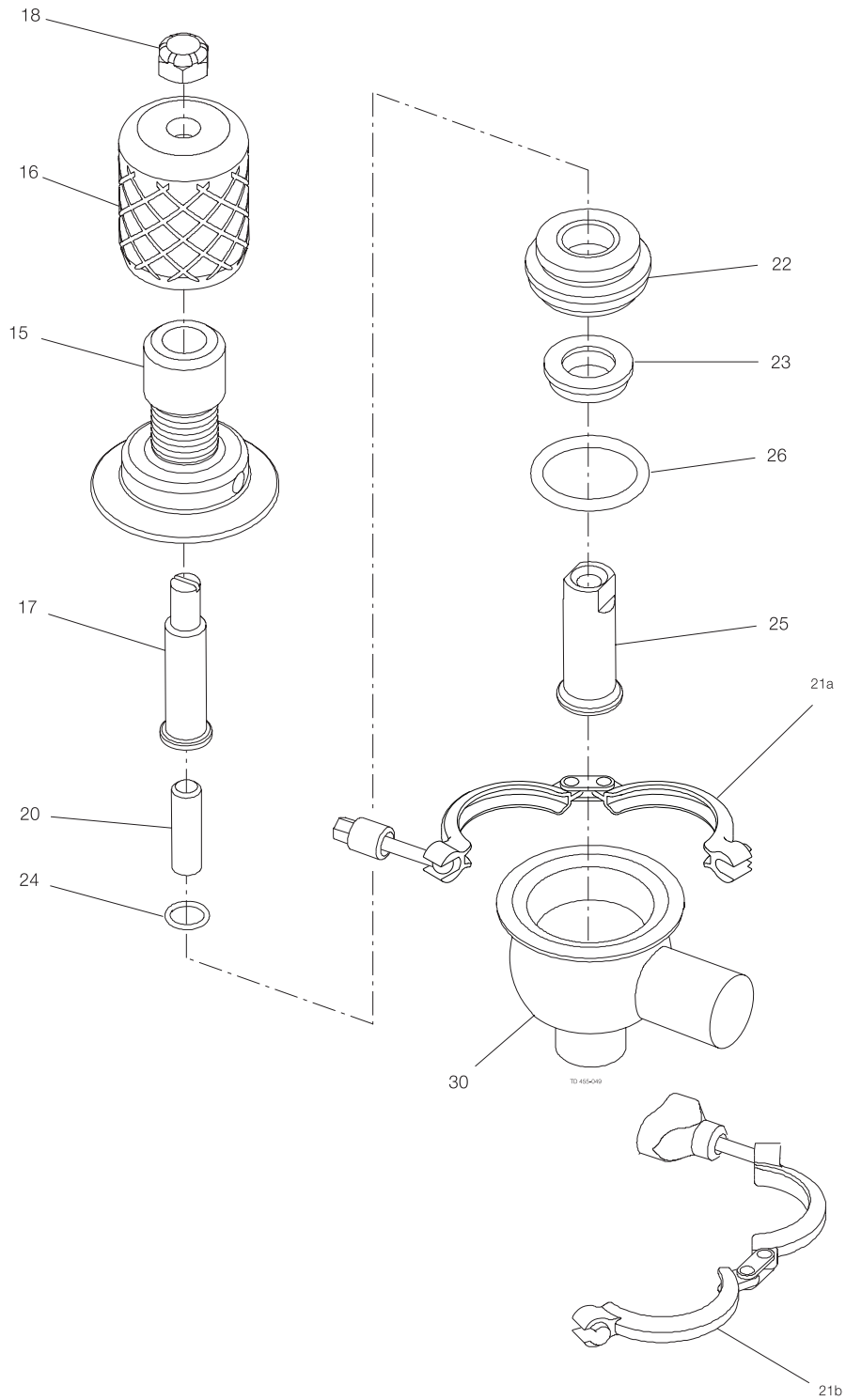
□	Service kit, NBR	9611926323	9611926323
---	------------------------	------------	------------

Service kits for product wetted parts, standard

♦	Service kits, EPDM	9611926322	9611926333
♦	Service kits, HNBR	9611926320	9611926331
♦	Service kits, FPM	9611926321	9611926332

Parts marked with □♦ are included in the service kit.

Recommended spare parts: service kits.



Unique SSSV - shut-off valve manual 12.7-19 mm

Pos	Qty	Denomination	12.7 mm	19 mm
		Manual handle, cpl.	9612940408	9612940408
15	1	Manual bonnet	9612944102	9612944102
16	1	Handle	9612943901	9612943901
17	1	Stem extension	9612944001	9612944001
18	1	Lock nut	9611993808	9611993808
20	1	Threaded pin	9611994282	9611994282
21a	1	Clamp with hexnut	9612939301	9612939301
21b	1	Clamp with wingnut	9612939308	9612939308
22	1	Sealing element	9612939101	9612939101
23 ♦	1	Lip seal, EPDM		
	1	Lip seal, HNBR		
	1	Lip seal, FPM		
24 ♦	1	O-ring, NBR		
25 ♦	1	Stop plug		
26 ♦	1	O-ring, EPDM		
	1	O-ring, HNBR		
	1	O-ring, FPM		
30	1	Lower valve body, with welding ends, 2 ports	9612934417	9612934517
	1	Lower valve body, with welding ends, 3 ports	9612934418	9612934518
	1	Lower valve body, with clamp ends, 2 ports	9612934433	9612934533
	1	Lower valve body, with clamp ends, 3 ports	9612934434	9612934534
			12.7 mm	19 mm

Service kits for actuator

□	Service kit, NBR	9611926323	9611926323
---	------------------------	------------	------------

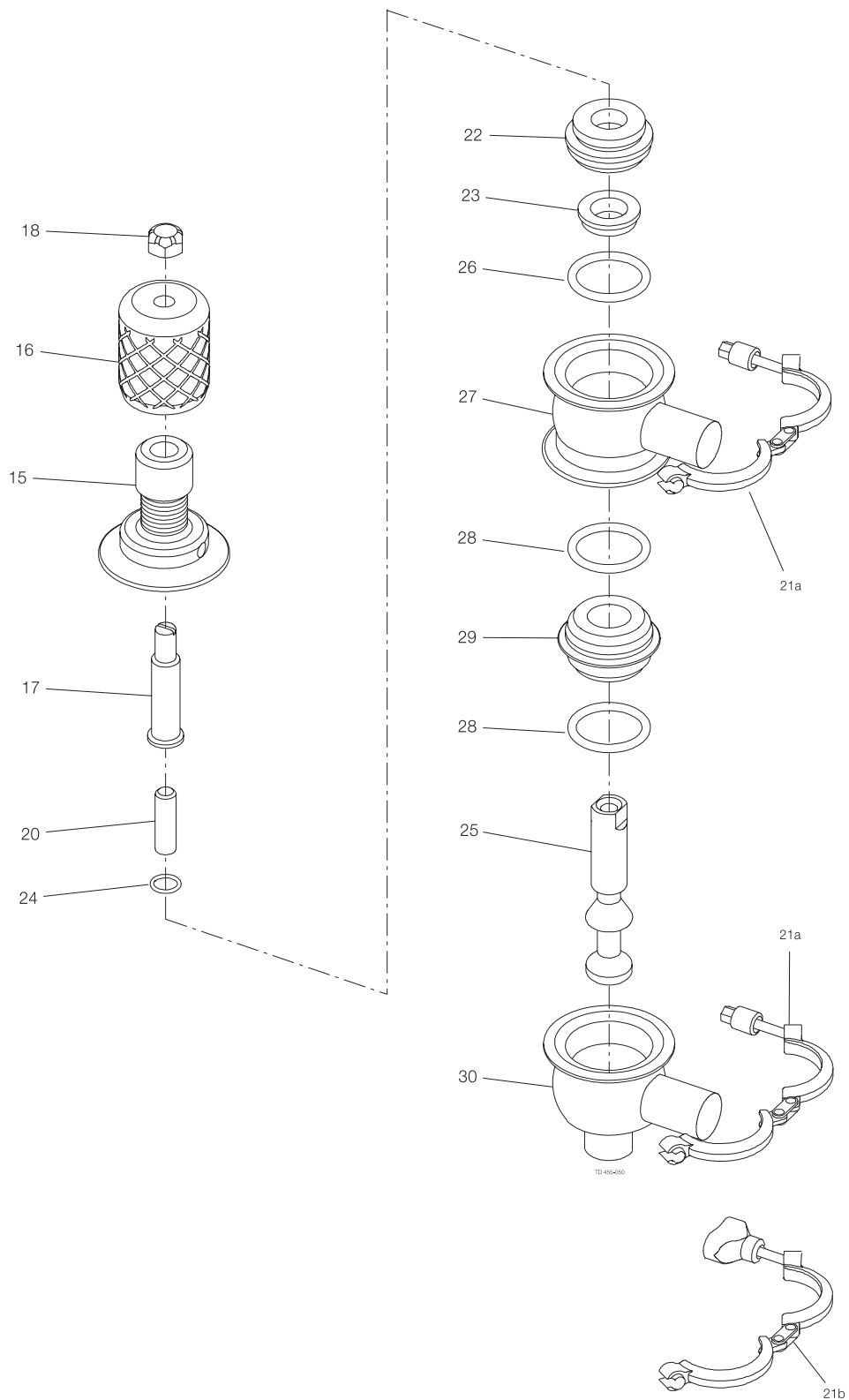
Service kits for product wetted parts, standard

♦	Service kits, EPDM	9611926319	9611926330
♦	Service kits, HNBR	9611926317	9611926328
♦	Service kits, FPM	9611926318	9611926329

Parts marked with ♦ are included in the service kit.

Recommended spare parts: service kits.

TD 900220/1



Unique SSSV - change-over valve manual 12.7-19 mm

Pos	Qty	Denomination	12.7 mm	19 mm
		Manual handle, cpl.	9612940408	9612940408
15	1	Manual bonnet	9612944102	9612944102
16	1	Handle	9612943901	9612943901
17	1	Stem extension	9612944001	9612944001
18	1	Lock nut	9611993808	9611993808
20	1	Threaded pin	9611994282	9611994282
21a	2	Clamp with hexnut	9612939301	9612939301
21b	2	Clamp with wingnut	9612939308	9612939308
22	1	Sealing element	9612939101	9612939101
23 ♦	1	Lip seal, EPDM		
	1	Lip seal, HNBR		
	1	Lip seal, FPM		
24 ♦	1	O-ring, NBR		
25 ♦	1	Change-over plug		
26 ♦	1	O-ring, EPDM		
	1	O-ring, HNBR		
	1	O-ring, FPM		
27	1	Upper valve body, with welding ends, 1 ports	9612934717	9612934817
	1	Upper valve body, with welding ends, 2 ports	9612934718	9612934818
	1	Upper valve body, with clamp ends, 1 ports	9612934733	9612934833
	1	Upper valve body, with clamp ends, 2 ports	9612934734	9612934834
28 ♦	2	O-ring, EPDM		
	2	O-ring, HNBR		
	2	O-ring, FPM		
29	1	Valve seat	9612939201	9612939201
30	1	Lower valve body, with welding ends, 2 ports	9612934417	9612934517
	1	Lower valve body, with welding ends, 3 ports	9612934418	9612934518
	1	Lower valve body, with clamp ends, 2 ports	9612934433	9612934533
	1	Lower valve body, with clamp ends, 3 ports	9612934434	9612934534
			12.7 mm	19 mm

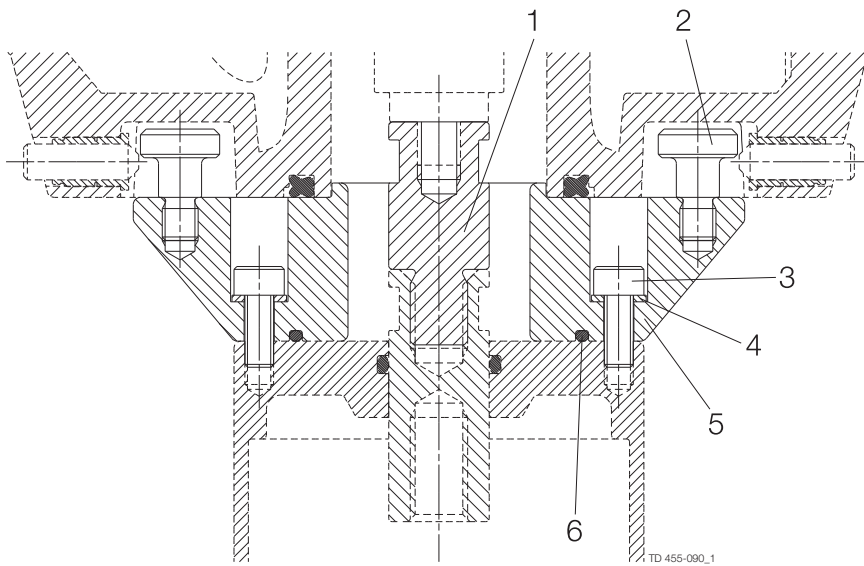
Service kits for actuator

□	Service kit, NBR	9611926323	9611926323
---	------------------------	------------	------------

Service kits for product wetted parts, standard

♦	Service kits, EPDM	9611926322	9611926333
♦	Service kits, HNBR	9611926320	9611926331
♦	Service kits, FPM	9611926321	9611926332

Parts marked with ♦ are included in the service kit.
 Recommended spare parts: service kits.



Unique SSSV - adapter for ThinkTop

Adapter for ThinkTop, cpl.

Pos	Qty	Denomination	9612947601
1	1	Extension	9612947801
2	2	Pin	9612947501
3	2	Screw	9611994403
4	2	Washer	9611994404
5	1	Adapter	9612947301
6	1	O-ring	9611994402

How to contact Alfa Laval

Contact details for all countries are continually updated on our website.

Please visit www.alfalaval.com to access the information directly.

© Alfa Laval Corporate AB

This document and its contents is owned by Alfa Laval Corporate AB and protected by laws governing intellectual property and thereto related rights. It is the responsibility of the user of this document to comply with all applicable intellectual property laws. Without limiting any rights related to this document, no part of this document may be copied, reproduced or transmitted in any form or by any means (electronic, mechanical, photocopying, recording, or otherwise), or for any purpose, without the expressed permission of Alfa Laval Corporate AB. Alfa Laval Corporate AB will enforce its rights related to this document to the fullest extent of the law, including the seeking of criminal prosecution.