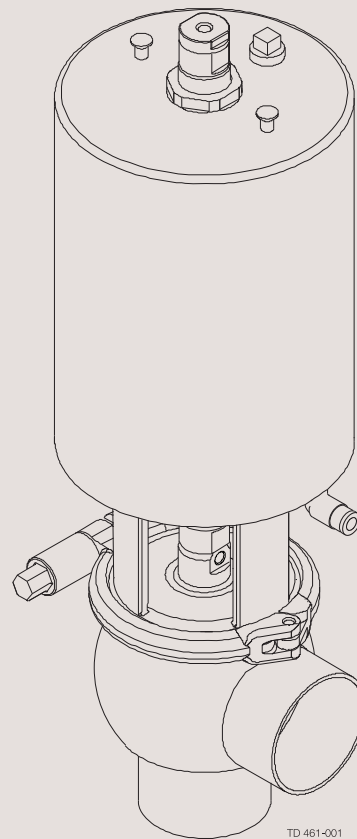
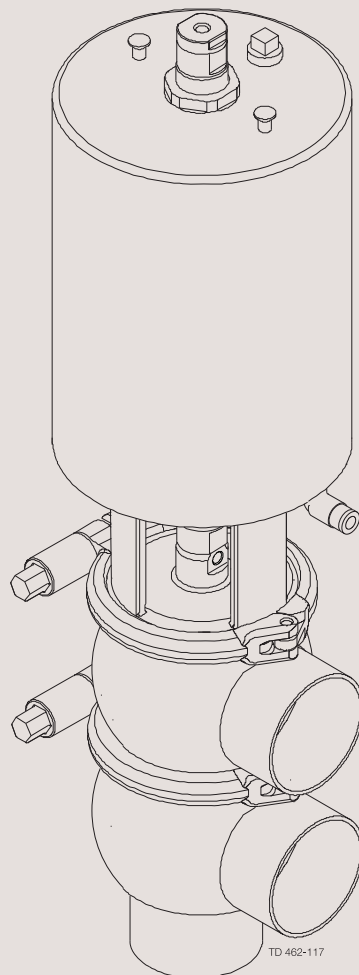




Spare Parts

Unique Single Seat Valve - standard



ESE00199-EN11

2020-09

Original manual

The information herein is correct at the time of issue but may be subject to change without prior notice

1. Important information	4
2. Unique Single Seat Valve - shut off valve - 25-101.6 mm/DN25-100	6
3. Unique Single Seat Valve - shut off valve - DN125-150	8
4. Unique Single Seat Valve - change-over valve - 25-101.6 mm/DN25-100	12
5. Unique Single Seat Valve - change-over valve - DN125-150	14
6. Unique Single Seat Valve - mounting tool	18

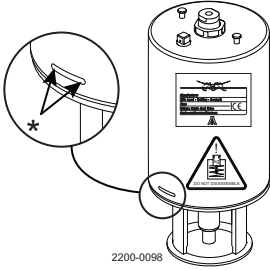
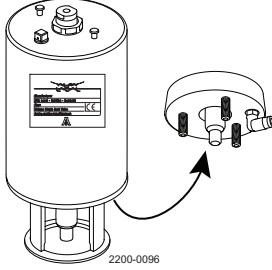

1 Important information

Different actuator types for the SSV valve

In June 2016 the below change was implemented and the "removable yoke with bolts" version is thereby phased out and replaced by the "yoke without bolts" version.

NOTE

It is important to check for warnings marked on the actuator when servicing an actuator- see below table.

Actuator type	Non-maintable actuator Spring under load and can NOT be opened  *) Lock wire opening is locked, when warning is marked on actuator	Fully maintainable actuator Spring cage and can be opened 	Fully maintainable actuator Spring cage and can be opened 
Yoke type	Non-removable yoke	"Removable yoke with bolts". If the yoke with bolts is damaged it has to be replaced by the "yoke without bolts"	"Yoke without bolts"
Service	Not possible to service internally (it is not possible to change piston o-rings)	Yes	Yes
Marked with warnings	Yes	No	No
Year of production	From 2006	From 2006 - June 2016	From June 2016

Unique Single Seat Valve - shut off valve - 25-101.6 mm/DN25-100

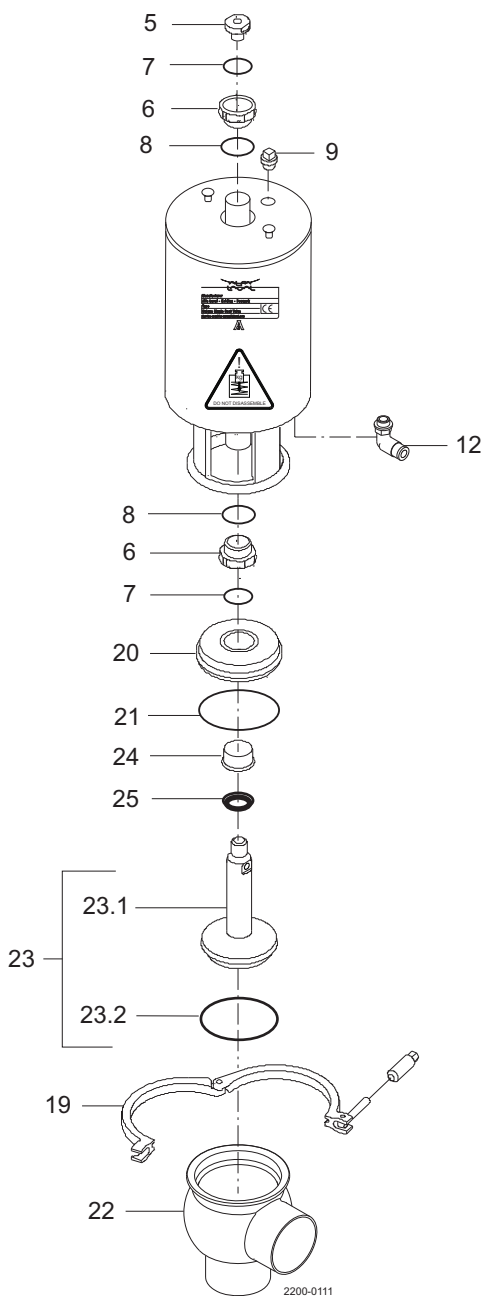
If the actuator is marked with a danger warning do **NOT** attempt to cut the actuator open.



Do **NOT** attempt to disassemble the actuator due to spring under load danger!



Do **NOT** attempt to cut the actuator open, due to spring under load danger!



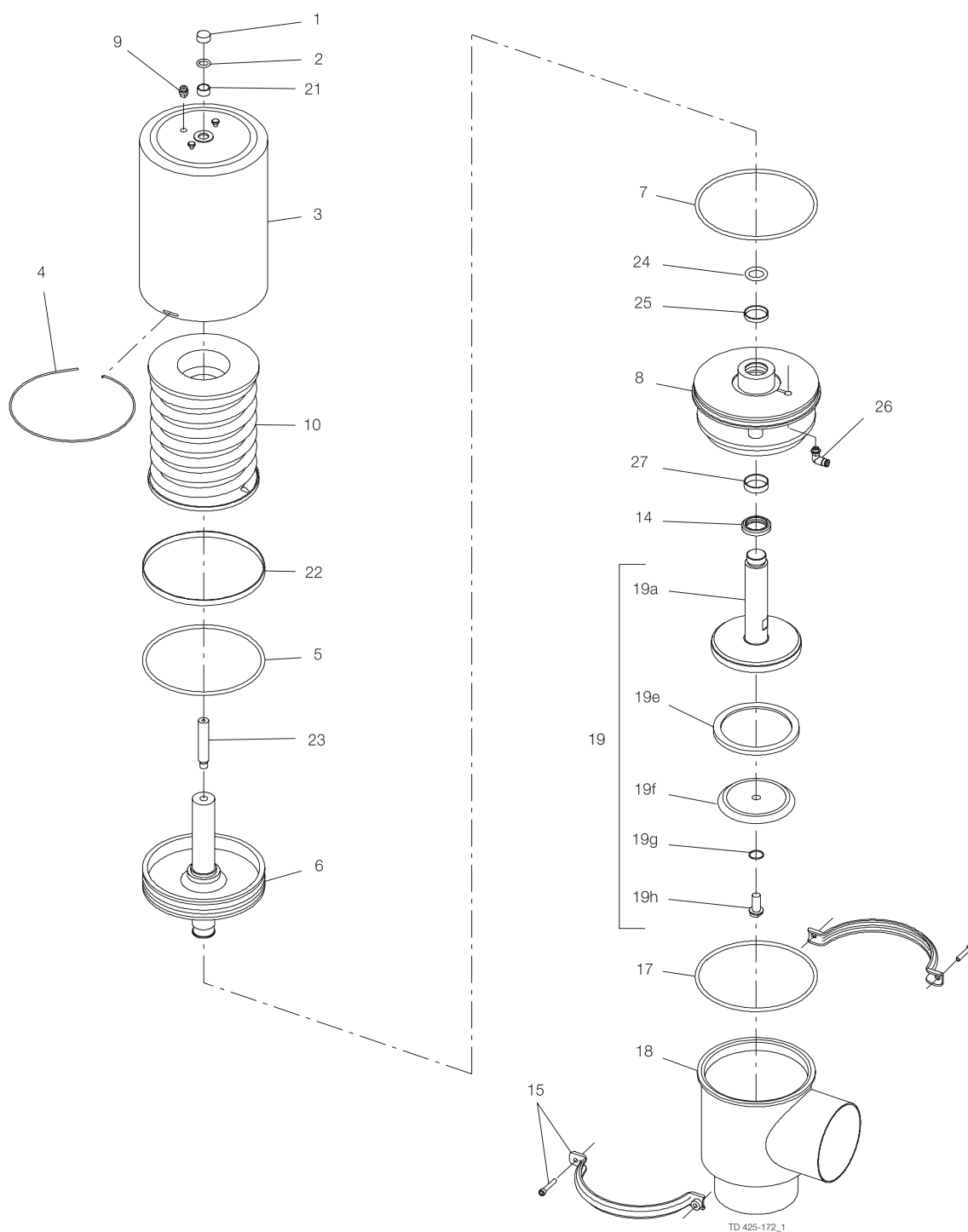
Unique Single Seat Valve - shut off valve - 25-101.6 mm/DN25-100

Pos	Qty	Denomination	DN 25 25 mm	DN 40 38 mm	DN 50 51 mm	DN 65 63.5 mm	DN 80 76.1 mm	DN 100 101.6 mm
Actuator								
		Actuator, complete (NO)	9613154801	9613154801	9613154802	9613154803	9613154804	9613154805
		Actuator, complete (NC)	9613154806	9613154806	9613154807	9613154808	9613154809	9613154810
		Actuator, complete (A/A)	9613154811	9613154811	9613154812	9613154813	9613154814	9613154815
5	1	Adapter, plastic (<-- 2015)						
	1	Adapter, steel (2015-2018)	9614065301	9614065301	9614065301	9614065301	9614065301	9614065301
	1	Adapter, steel (2019 -->)	9615374701	9615374701	9615374701	9615374701	9615374701	9615374701
6	□	Bushing						
7	□	O-ring						
8	□	O-ring						
9	1	Plug	9613414101	9613414101	9613414101	9613414101	9613414101	9613414101
12	1(2)	Air fitting	9611991988	9611991988	9611991988	9611991988	9611991988	9611991988
Clamp								
19	1	Clamp	9612939303	9612939303	9612939304	9612939305	9612939306	9612939307
Bonnet								
20	1	Bonnet	9613127102	9613127102	9613127103	9613127104	9613127105	9613127106
21	◆	O-ring, EPDM (standard)						
	1	O-ring, HNBR						
	1	O-ring, FPM						
	1	O-ring set, (10 pcs.) EPDM	9614059422	9614059422	9614059425	9614059428	9614059431	9614059434
	1	O-ring set, (10 pcs.) HNBR	9614059423	9614059423	9614059426	9614059429	9614059432	9614059435
	1	O-ring set, (10 pcs.) FPM	9614059424	9614059424	9614059427	9614059430	9614059433	9614059436
24	1	Bushing	9613125002	9613125002	9613125002	9613125002	9613125002	9613125002
25	◆	Lip seal, EPDM (standard)						
	1	Lip seal, HNBR						
	1	Lip seal, FPM						
	1	Lip seal set, (10 pcs.) EPDM	9614059419	9614059419	9614059419	9614059419	9614059419	9614059419
	1	Lip seal set, (10 pcs.) HNBR	9614059420	9614059420	9614059420	9614059420	9614059420	9614059420
	1	Lip seal set, (10 pcs.) FPM	9614059421	9614059421	9614059421	9614059421	9614059421	9614059421
Valve body								
22	1	Valve body, lower, 2 ports ISO ...	9613139501	9613139503	9613139505	9613139507	9613139509	9613139511
	1	Valve body, lower, 3 ports ISO ...	9613139502	9613139504	9613139506	9613139508	9613139510	9613139512
	1	Valve body, lower, 2 ports DIN ...	9613139601	9613139603	9613139605	9613139607	9613139609	9613139611
	1	Valve body, lower, 3 ports DIN ...	9613139602	9613139604	9613139606	9613139608	9613139610	9613139612
Valve plug								
23	1	Plug, shut-off, ISO, comp., EPDM (std)	9613138801	9613138802	9613138803	9613138804	9613138805	9613138806
	1	Plug, shut-off, ISO, comp., HNBR	9613138813	9613138814	9613138815	9613138816	9613138817	9613138818
	1	Plug, shut-off, ISO, comp., FPM	9613138825	9613138826	9613138827	9613138828	9613138829	9613138830
	1	Plug, shut-off, DIN, comp., EPDM (std)	9613138807	9613138808	9613138809	9613138810	9613138811	9613138812
	1	Plug, shut-off, DIN, comp., HNBR	9613138819	9613138820	9613138821	9613138822	9613138823	9613138824
	1	Plug, shut-off, DIN, comp., FPM	9613138831	9613138832	9613138833	9613138834	9613138835	9613138836
23.1	1	Plug, shut-off, ISO	9613149601	9613139802	9613139803	9613139804	9613139805	9613139806
	1	Plug, shut-off, DIN	9613149602	9613139808	9613139809	9613139810	9613139811	9613139812
23.2	◆	Plug seal, EPDM (standard)						
	1	Plug seal, HNBR						
	1	Plug seal, FPM						
	1	Plug seat set, (10 pcs.) EPDM ...	9614059401	9614059404	9614059407	9614059410	9614059413	9614059416
	1	Plug seat set, (10 pcs.) HNBR ...	9614059402	9614059405	9614059408	9614059411	9614059414	9614059417
	1	Plug seat set, (10 pcs.) FPM	9614059403	9614059406	9614059409	9614059412	9614059415	9614059418
Service kits								
□		Service kit, actuator	9611926500	9611926500	9611926500	9611926500	9611926500	9611926500
◆		Service kit, EPDM	9611926501	9611926502	9611926503	9611926504	9611926505	9611926506
◆		Service kit, HNBR	9611926507	9611926508	9611926509	9611926510	9611926511	9611926512
◆		Service kit, FPM	9611926513	9611926514	9611926515	9611926516	9611926517	9611926518

Parts marked with □ are included in the service kits (actuator)

Parts marked with ◆ are included in the service kits (product wetted parts)

Tool for bushing (pos. 24) - item no: 9613160901

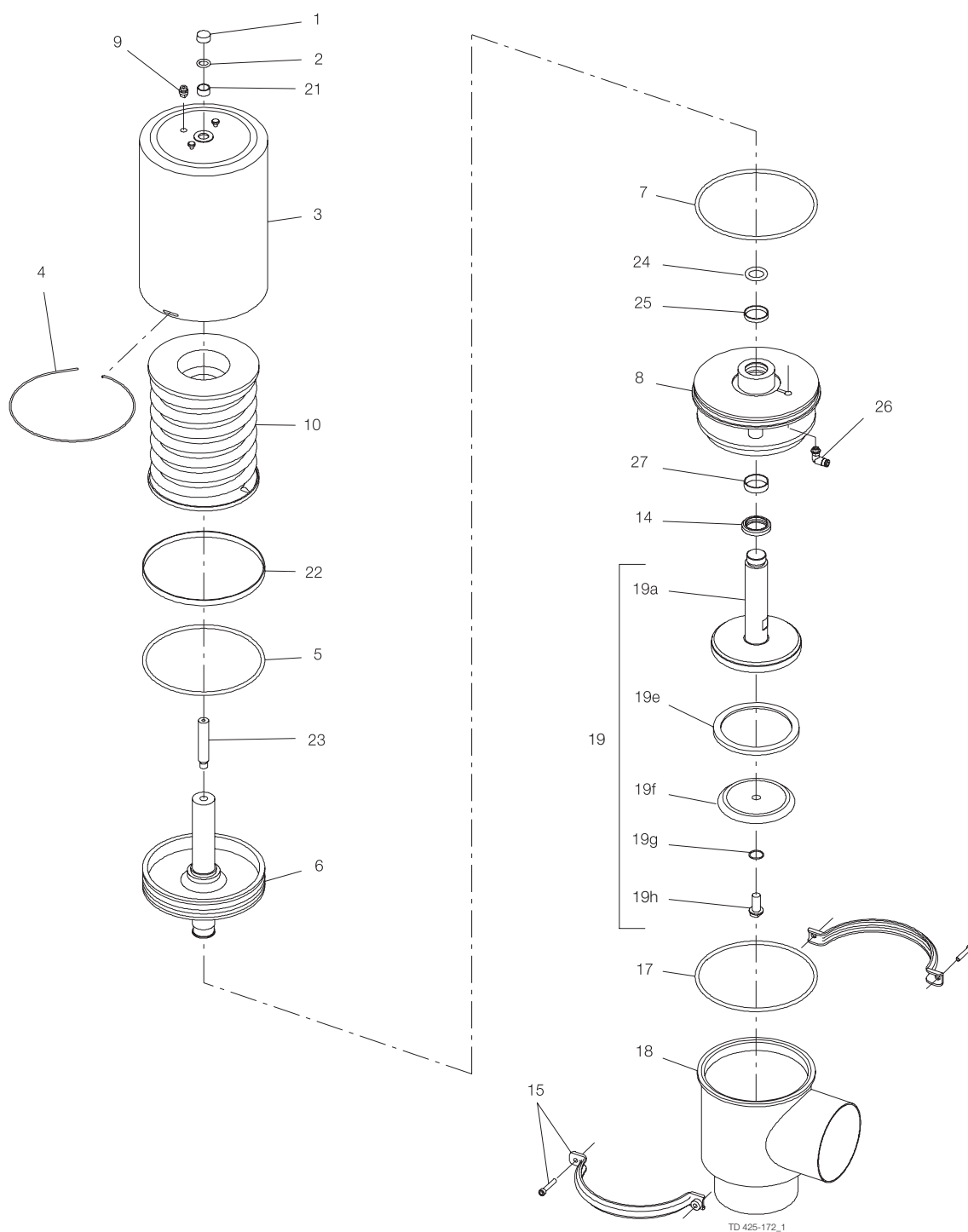


Unique Single Seat Valve - shut off valve - DN125-150

Pos	Qty	Denomination	NC	NO
		Actuator, complete	9612465701	9612465702
1	1	Cap	9611993060	9611993060
2	□	O-ring		
3	1	Cylinder	9612465501	9612465501
4	□	Lock wire		
5	□	O-ring		
6	1	Piston		
7	□	O-ring	9611992892	9611992892
8	1	Bonnet	9612508001	9612508001
9	1	Plug		
10	1	Spring packet	9612441301	9612441301
21	□	Guide ring		
22	□	Guide ring		
23	1	Top pin	9612440801	9612440801
24	□	O-ring		
25	□	Guide ring		
26	1	Air fitting		
27	□	Guide ring		

Valve body part

Pos	Qty	Denomination	DN 125	DN 150
14	♦	1 Lip seal, EPDM (standard)		
		1 Lip seal, NBR		
		1 Lip seal, FPM		
Clamp				
15	1	Clamp complete	9611311058	9611311058
Valve body				
17	♦	1 Seal ring, EPDM (standard)	9611992937	9611992937
		1 Seal ring, NBR	9611992938	9611992938
		1 Seal ring, FPM	9611992939	9611992939
18	1	Valve body, 2 ports DIN	9612440501	9612440601
		1 Valve body, 3 ports DIN	9612440502	9612440602
Valve plug				
19	1	Plug, single, complete EPDM (standard)	9612438001	9612438004
		1 Plug, single, complete NBR	9612438002	9612438005
		1 Plug, single, complete FPM	9612438003	9612438006
19a	1	Stem	9612438301	9612438302
19e	♦	1 Plug seal, EPDM (standard)		
		1 Plug seal, NBR		
		1 Plug seal, FPM		
19f	1	Washer	9612438401	9612438401
19g	♦	1 O-ring, EPDM (standard)		
		1 O-ring, NBR		
		1 O-ring, FPM		
19h	1	Screw	9612438701	9612438701



Unique Single Seat Valve - shut off valve - DN125-150

Pos	Qty	Denomination	DN 125	DN 150
Valve body - surface roughness, product wetted parts: Ra < 0.8 µm				
18	1	Valve body, 2 ports DIN	9612440503	9612440603
	1	Valve body, 3 ports DIN	9612440504	9612440604
Valve plug - surface roughness, product wetted parts: Ra < 0.8 µm				
19	1	Plug, single, complete EPDM (standard)	9612438007	9612438010
	1	Plug, single, complete NBR	9612438008	9612438011
	1	Plug, single, complete FPM	9612438009	9612438012
19a	1	Stem	3135310076	3135310077
19f	1	Washer	9612438402	9612438402
19h	1	Screw	9612438702	9612438702
			NC	NO
Service kit for actuator				
□		Service kit EPDM	9611920296	9611920296
			DN 125	DN 150
Service kit for product wetted parts, standard				
♦		Service kit EPDM	9611920355	9611920355
♦		Service kit NBR	9611920356	9611920356
♦		Service kit FPM	9611920357	9611920357

Parts marked with □♦ are included in the service kits

Recommended spare parts: service kits.

900090/2

Unique Single Seat Valve - change-over valve - 25-101.6 mm/DN25-100

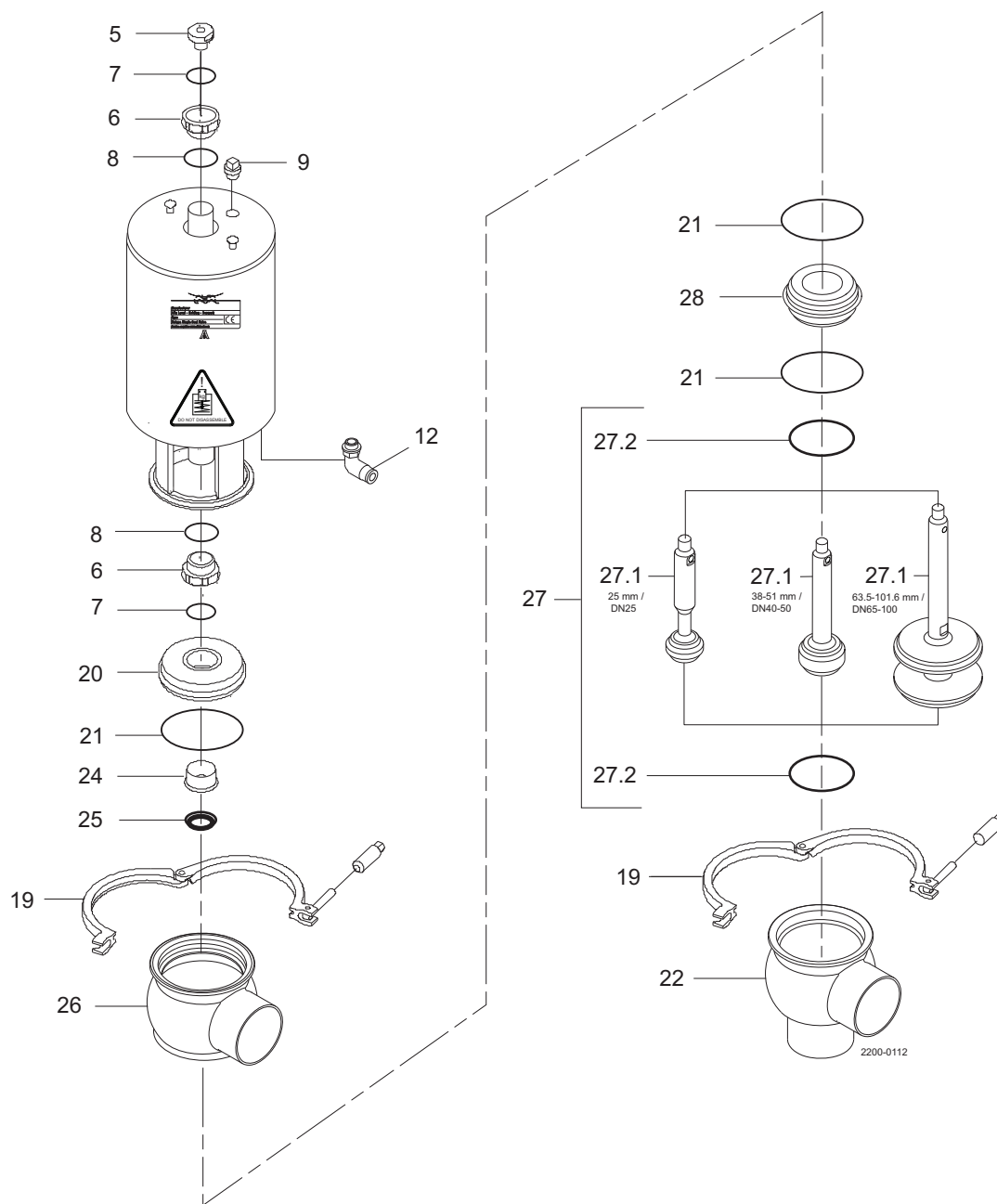
If the actuator is marked with a danger warning do **NOT** attempt to cut the actuator open.



Do **NOT** attempt to disassemble the actuator due to spring under load danger!



Do **NOT** attempt to cut the actuator open, due to spring under load danger!

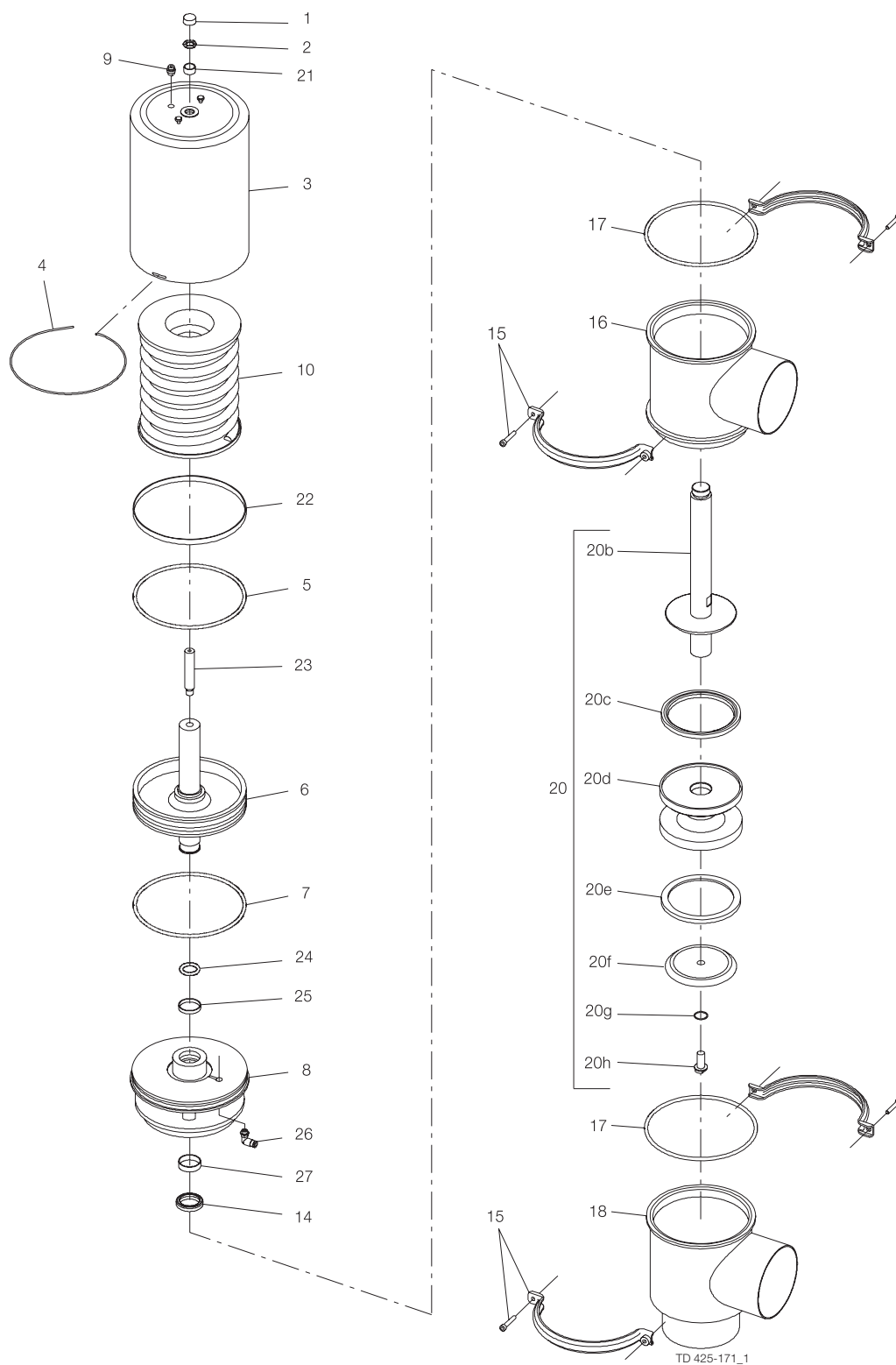


Unique Single Seat Valve - change-over valve - 25-101.6 mm/DN25-100

Pos	Qty	Denomination	DN 25 25 mm	DN 40 38 mm	DN 50 51 mm	DN 65 63.5 mm	DN 80 76.1 mm	DN 100 101.6 mm
Actuator								
		Actuator, complete (NO)	9613154801	9613154801	9613154802	9613154803	9613154804	9613154805
		Actuator, complete (NC)	9613154806	9613154806	9613154807	9613154808	9613154809	9613154810
		Actuator, complete (A/A)	9613154811	9613154811	9613154812	9613154813	9613154814	9613154815
5	1	Adapter, plastic (<-- 2015)						
	1	Adapter, steel (2015 - 2018)	9614065301	9614065301	9614065301	9614065301	9614065301	9614065301
	1	Adapter, steel (2019 -->)	9615374701	9615374701	9615374701	9615374701	9615374701	9615374701
6	□	Bushing						
7	□	O-ring						
8	□	O-ring						
9	1	Plug	9613414101	9613414101	9613414101	9613414101	9613414101	9613414101
12	1(2)	Air fitting	9611991988	9611991988	9611991988	9611991988	9611991988	9611991988
Clamp								
19	2	Clamp	9612939303	9612939303	9612939304	9612939305	9612939306	9612939307
Bonnet								
20	1	Bonnet	9613127102	9613127102	9613127103	9613127104	9613127105	9613127106
21	◆	O-ring, EPDM (standard)						
	3	O-ring, HNBR						
	3	O-ring, FPM						
		O-ring set, (10 pcs.) EPDM	9614059422	9614059422	9614059425	9614059428	9614059431	9614059434
		O-ring set, (10 pcs.) HNBR	9614059423	9614059423	9614059426	9614059429	9614059432	9614059435
		O-ring set, (10 pcs.) FPM	9614059424	9614059424	9614059427	9614059430	9614059433	9614059436
24	1	Bushing	9613125002	9613125002	9613125002	9613125002	9613125002	9613125002
25	◆	Lip seal, EPDM (standard)						
	1	Lip seal, HNBR						
	1	Lip seal, FPM						
		O-ring set, (10 pcs.) EPDM	9614059419	9614059419	9614059419	9614059419	9614059419	9614059419
		O-ring set, (10 pcs.) HNBR	9614059420	9614059420	9614059420	9614059420	9614059420	9614059420
		O-ring set, (10 pcs.) FPM	9614059421	9614059421	9614059421	9614059421	9614059421	9614059421
Seat								
28	1	Seat	9613127501	9613127502	9613127503	9613127504	9613127505	9613127506
Valve body								
26	1	Valve body, upper, 1 port ISO	9613139301	9613139303	9613139305	9613139307	9613139309	9613139311
	1	Valve body, upper, 2 ports ISO ...	9613139302	9613139304	9613139306	9613139308	9613139310	9613139312
	1	Valve body, upper, 1 port DIN	9613139401	9613139403	9613139405	9613139407	9613139409	9613139411
	1	Valve body, upper, 2 ports DIN ...	9613139402	9613139404	9613139406	9613139408	9613139410	9613139412
22	1	Valve body, lower, 2 ports ISO ..	9613139501	9613139503	9613139505	9613139507	9613139509	9613139511
	1	Valve body, lower, 3 ports ISO ...	9613139502	9613139504	9613139506	9613139508	9613139510	9613139512
	1	Valve body, lower, 2 ports DIN ...	9613139601	9613139603	9613139605	9613139607	9613139609	9613139611
	1	Valve body, lower, 3 ports DIN ...	9613139602	9613139604	9613139606	9613139608	9613139610	9613139612
Valve plug								
27	1	Plug, change-over, ISO complete, EPDM (standard)	9613127701	9613127702	9613127703	9613127704	9613127705	9613127706
	1	Plug, change-over, ISO complete, HNBR	9613127713	9613127714	9613127715	9613127716	9613127717	9613127718
	1	Plug, change-over, ISO complete, FPM	9613127725	9613127726	9613127727	9613127728	9613127729	9613127730
	1	Plug, change-over, DIN complete, EPDM (std)	9613127707	9613127708	9613127709	9613127710	9613127711	9613127712
	1	Plug, change-over, DIN complete, HNBR	9613127719	9613127720	9613127721	9613127722	9613127723	9613127724
	1	Plug, change-over, DIN complete, FPM	9613127731	9613127732	9613127733	9613127734	9613127735	9613127736
27.1	1	Plug, change-over, ISO	9613149701	9613140002	9613140003	9613140004	9613140005	9613140006
	1	Plug, change-over, DIN	9613149702	9613140008	9613140009	9613140010	9613140011	9613140012
27.2	◆	Plug seal, EPDM (standard)						
	2	Plug seal, HNBR						
	2	Plug seal, FPM						
		Plug seal set, (10 pcs.) EPDM ...	9614059401	9614059404	9614059407	9614059410	9614059413	9614059416
		Plug seal set, (10 pcs.) HNBR ...	9614059402	9614059405	9614059408	9614059411	9614059414	9614059417
		Plug seal set, (10 pcs.) FPM	9614059403	9614059406	9614059409	9614059412	9614059415	9614059418
Service kits								
	□	Service kit, actuator	9611926500	9611926500	9611926500	9611926500	9611926500	9611926500
	◆	Service kit, EPDM	9611926579	9611926580	9611926581	9611926582	9611926583	9611926584
	◆	Service kit, HNBR	9611926585	9611926586	9611926587	9611926588	9611926589	9611926590
	◆	Service kit, FPM	9611926591	9611926592	9611926593	9611926594	9611926595	9611926596

Parts marked with □ are included in the service kits (actuator)

Parts marked with ◆ are included in the service kits (product wetted parts)



Unique Single Seat Valve - change-over valve - DN125-150

Actuator

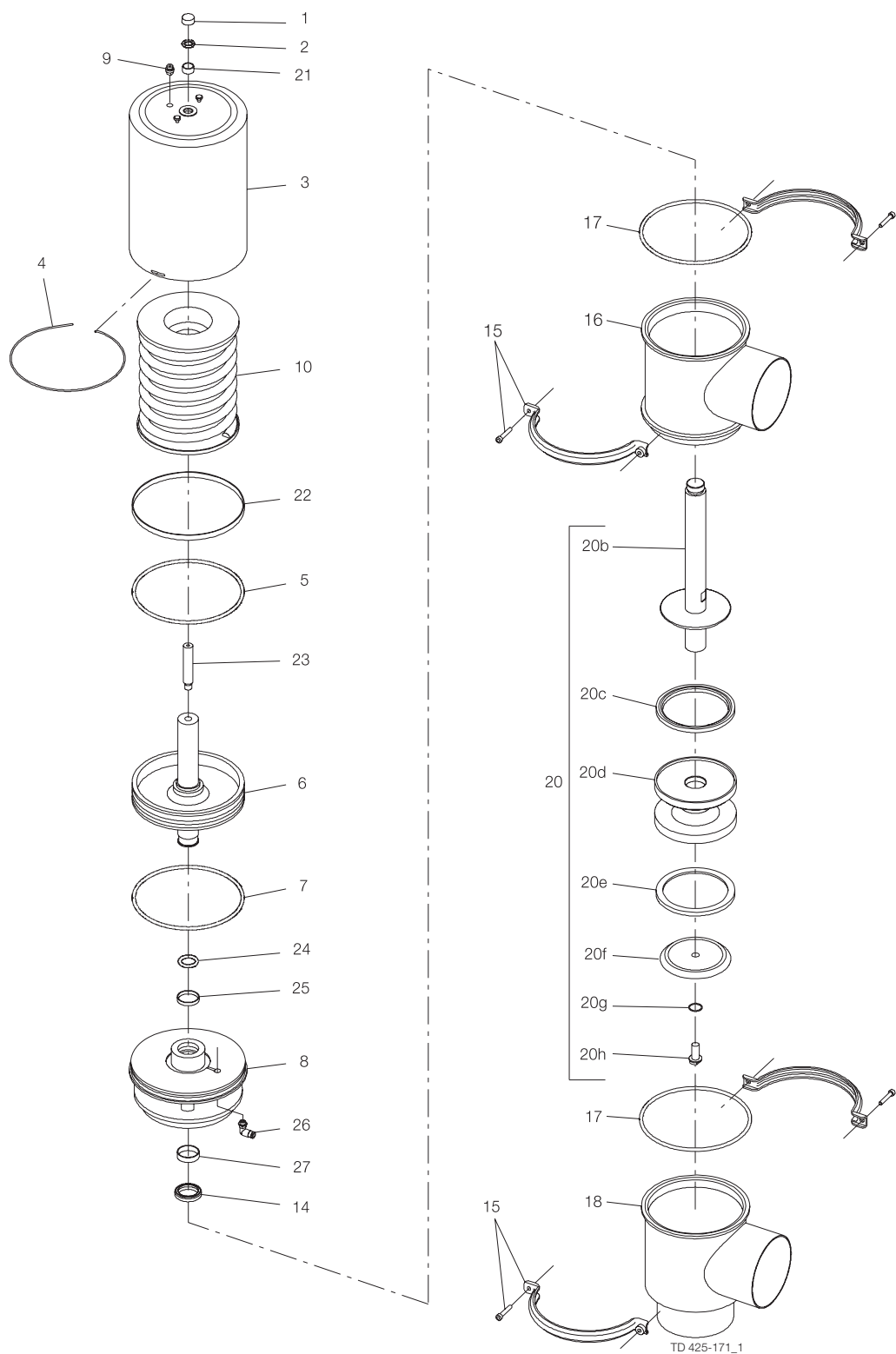
Pos	Qty	Denomination	NC	NO
		Actuator, complete	9612465701	9612465702
1	1	Cap	9611993060	9611993060
2	□	1 O-ring		
3	1	Cylinder	9612465501	9612465501
4	□	1 Lock wire		
5	□	1 O-ring		
6	1	Piston	9612441101	9612441102
7	□	1 O-ring		
8	1	Bonnet	9612508001	9612508001
9	1	Plug		
10	1	Spring packet	9612441301	9612441301
21	□	1 Guide ring		
22	□	1 Guide ring		
23	1	Top pin	9612440801	9612440801
24	□	1 O-ring		
25	□	1 Guide ring		
26	1	Air fitting	9611991988	9611991988
27	□	1 Guide ring		

Valve body part

Pos	Qty	Denomination	DN 125	DN 150
14	♦	1 Lip seal, EPDM (standard)		
		1 Lip seal, NBR		
		1 Lip seal, FPM		
Clamp				
15	2	Clamp complete	9611311058	9611311058
Valve body				
16	1	Valve body, upper, 1 port DIN	9612457801	9612457901
		1 Valve body, upper, 2 ports DIN	9612457802	9612457902
17	♦	2 Seal ring, EPDM (standard)	9611992937	9611992937
		2 Seal ring, NBR	9611992938	9611992938
		2 Seal ring, FPM	9611992939	9611992939
18	1	Valve body, lower, 2 ports DIN	9612440501	9612440601
		1 Valve body, lower, 3 ports DIN	9612440502	9612440602

Valve plug

Pos	Qty	Denomination	DN 125	DN 150
20	1	Plug, double,complete, EPDM (standard)	9612456601	9612456604
		1 Plug, double,complete, NBR	9612456602	9612456605
		1 Plug, double,complete, FPM	9612456603	9612456606
20b	1	Stem	9612456501	9612456502
20c	♦	1 Plug seal, EPDM (standard)		
		1 Plug seal, NBR		
		1 Plug seal, FPM		
20d	1	Middle piece	9612456301	9612456302
20e	♦	1 Plug seal, EPDM (standard)		
		1 Plug seal, NBR		
		1 Plug seal, FPM		
20f	1	Washer	9612438401	9612438401
20g	♦	1 O-ring, EPDM (standard)		
		1 O-ring, NBR		
		1 O-ring, FPM		
20h	1	Screw	9612438701	9612438701



Unique Single Seat Valve - change-over valve - DN125-150

Surface roughness, product wetted parts: Ra ≤ 0.8 µm

Pos	Qty	Denomination	DN 125	DN 150
Valve body				
16	1	Valve body, upper, 1 port DIN	9612457803	9612457903
	1	Valve body, upper, 2 ports DIN	9612457804	9612457904
18	1	Valve body, lower, 2 ports DIN	9612440503	9612440603
	1	Valve body, lower, 3 ports DIN	9612440504	9612440604
Valve plug				
20	1	Plug, double,complete, EPDM (standard)	9612456607	9612456610
	1	Plug, double,complete, NBR	9612456608	9612456611
	1	Plug, double,complete, FPM	9612456609	9612456612
20b	1	Stem	3135310086	3135310087
20d	1	Middle piece	9612456303	9612456304
20f	1	Washer	9612438402	9612438402
20h	1	Screw	9612438702	9612438702
			NC	NO

Service kit for actuator

□	Service kit EPDM	9611920296	9611920296
---	------------------------	------------	------------

DN 125 DN 150

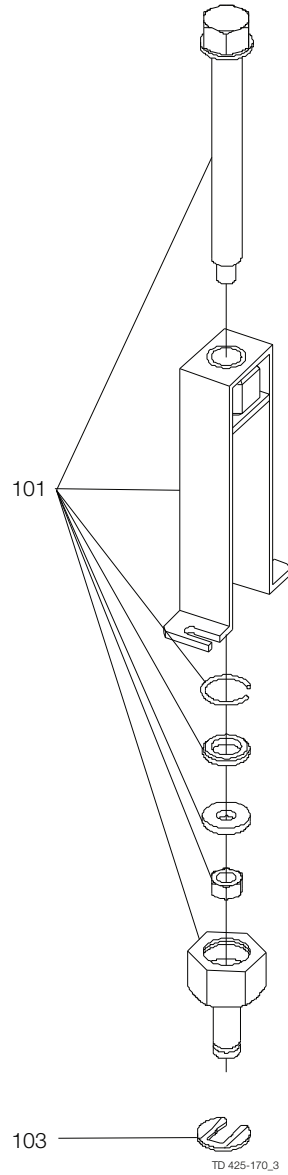
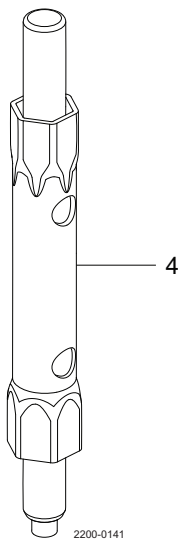
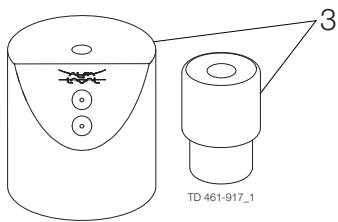
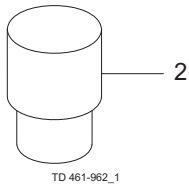
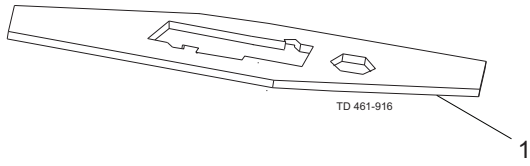
Service kit for product wetted parts

♦	Service kit EPDM	9611920358	9611920358
♦	Service kit NBR	9611920359	9611920359
♦	Service kit FPM	9611920360	9611920360

Parts marked with □♦ are included in the service kits.

Recommended spare parts: service kits.

900093/4



Unique Single Seat Valve - mounting tool

Pos	Qty	Denomination	DN 25-65	DN 80-150
			25-63.5 mm	76.1-101.6 mm
1	1	Service tool only for Maintainable actuator	3135302191	9612454001

TD 900-512

Pos	Qty	Denomination	DN 25-100
			25-101.6 mm
2	1	Tool for bushing (pos. 24)	9613160901

TD 900-518

Pos	Qty	Denomination	DN 25	DN 40	DN 50	DN65	DN 80	DN 100
			25 mm	38 mm	51 mm	63.5 mm	76.1 mm	101.6 mm
3	1	Mounting tool for elastomer plug seals	Not available	9613172901	9613172902	9613172902	9613172903	9613172903

TD 900-520

Pos	Qty	Denomination	DN 25-100
			25-101.6 mm
4	1	Tool for actuator bushing (pos. 6)	9614198401

TD 900-701

Pos	Qty	Denomination	DN125-150
101	1	Lifting tool complete	3135308001
103	1	Clip	3135307301

How to contact Alfa Laval

Contact details for all countries are continually updated on our website.

Please visit www.alfalaval.com to access the information directly.

© Alfa Laval Corporate AB

This document and its contents is owned by Alfa Laval Corporate AB and protected by laws governing intellectual property and thereto related rights. It is the responsibility of the user of this document to comply with all applicable intellectual property laws. Without limiting any rights related to this document, no part of this document may be copied, reproduced or transmitted in any form or by any means (electronic, mechanical, photocopying, recording, or otherwise), or for any purpose, without the expressed permission of Alfa Laval Corporate AB. Alfa Laval Corporate AB will enforce its rights related to this document to the fullest extent of the law, including the seeking of criminal prosecution.