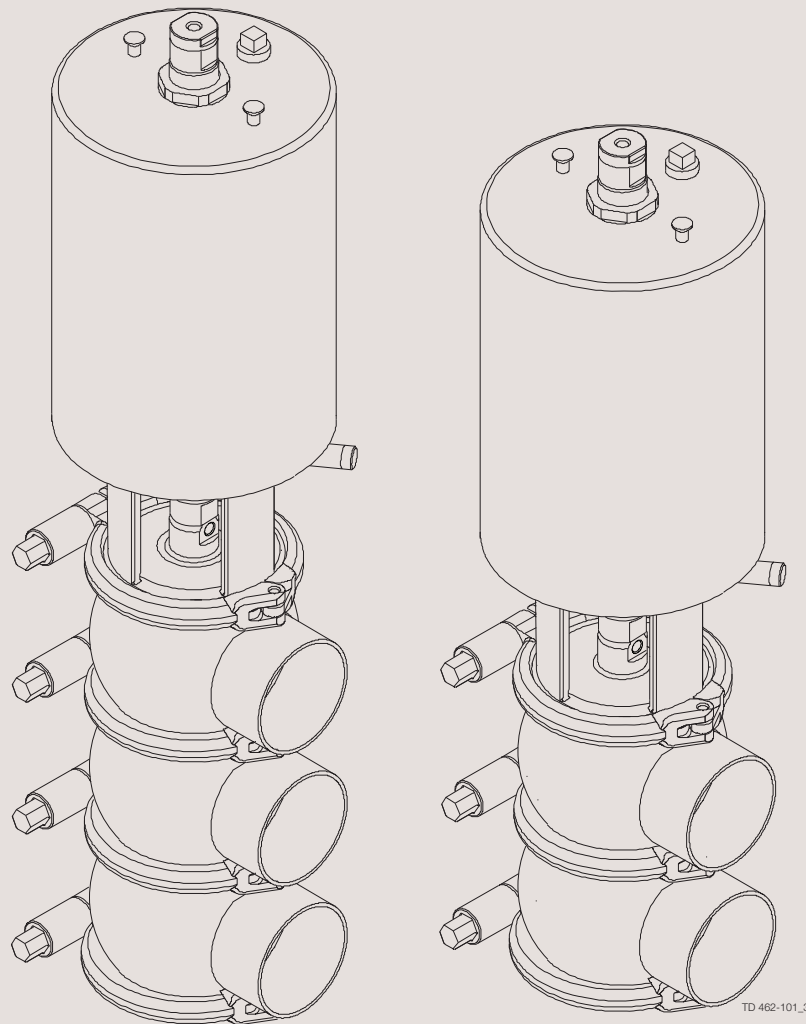




## Spare Parts

### Unique Single Seat Valve - Reverse Acting (RA)



TD 462-101\_3

ESE00532-EN7 2018-11

Original manual



## Table of contents

---

*The information herein is correct at the time of issue but may be subject to change without prior notice*

<b>1. Important information</b> .....	<b>4</b>
<b>2. Unique Single Seat Valve - Reverse Acting, shut off valve, 25-101.6 mm/DN25-100</b> .....	<b>6</b>
<b>3. Unique Single Seat Valve-Reverse Acting, change-over valve, 25-101.6 mm/DN25-100</b>	<b>10</b>
<b>4. Mounting tool</b> .....	<b>14</b>

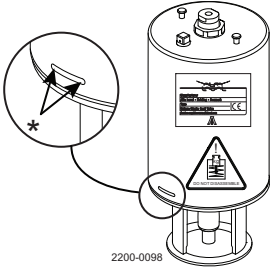
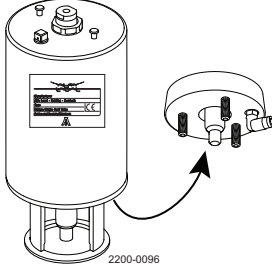

# 1 Important information

## Different actuator types for the SSV valve

In June 2016 the below change was implemented and the "removable yoke with bolts" version is thereby phased out and replaced by the "yoke without bolts" version.

### NOTE

It is important to check for warnings marked on the actuator when servicing an actuator- see below table.

<p><b>Actuator type</b></p>	<p><b>Non-maintable actuator</b> Spring under load and can <b>NOT</b> be opened</p>  <p>*) Lock wire opening is locked, when warning is marked on actuator</p>	<p><b>Fully maintainable actuator</b> Spring cage and can be opened</p> 	<p><b>Fully maintainable actuator</b> Spring cage and can be opened</p> 
<p><b>Yoke type</b></p>	<p>Non-removable yoke</p>	<p>"Removable yoke with bolts". If the yoke with bolts is damaged it has to be replaced by the "yoke without bolts".</p>	<p>"Yoke without bolts"</p>
<p><b>Service</b></p>	<p>Not possible to service internally (it is not possible to change piston o-rings)</p>	<p>Yes</p>	<p>Yes</p>
<p><b>Marked with warnings</b></p>	<p>Yes</p>	<p>No</p>	<p>No</p>
<p><b>Year of production</b></p>	<p>From 2006</p>	<p>From 2006 - June 2016</p>	<p>From June 2016</p>



# Unique Single Seat Valve - Reverse Acting, shut off valve, 25-101.6 mm/DN25-100

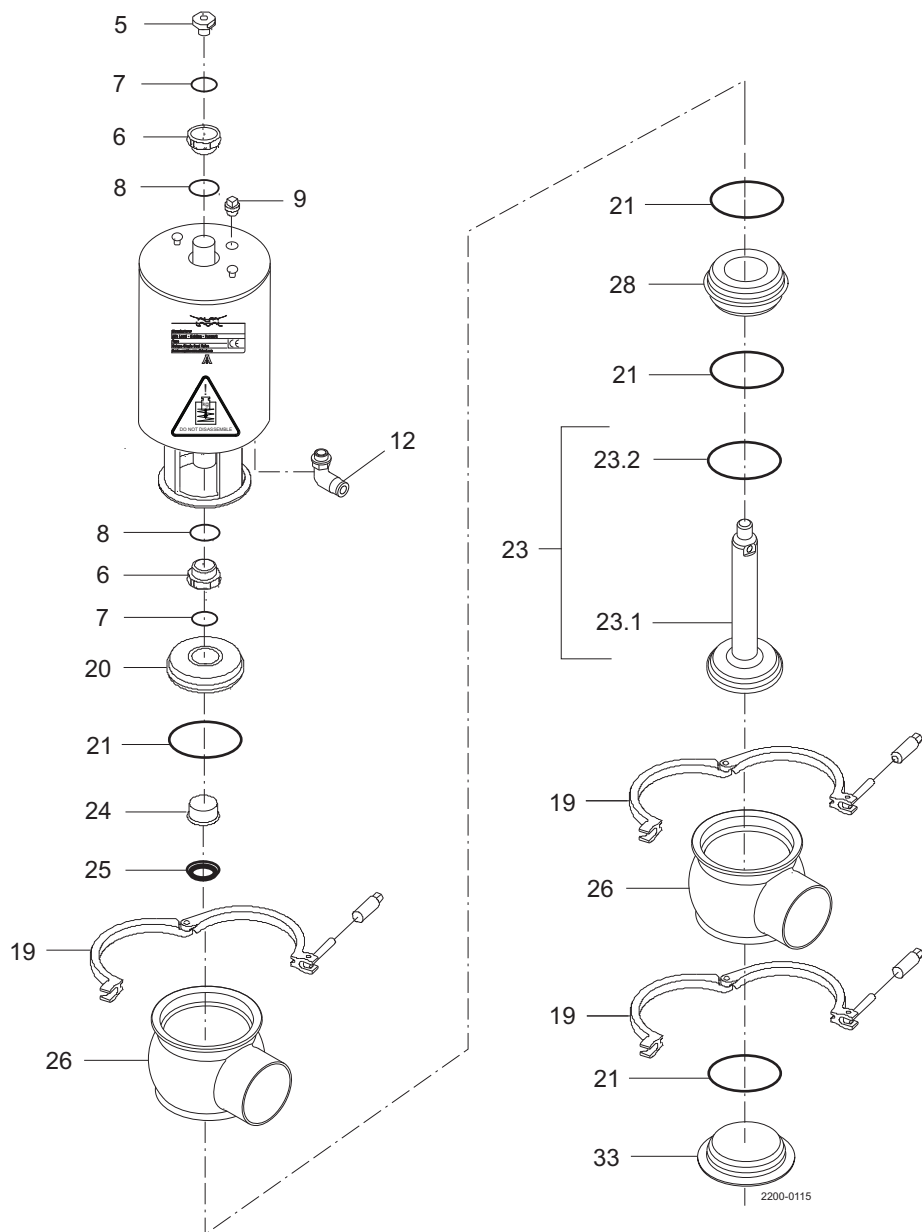
If the actuator is marked with a danger warning do **NOT** attempt to cut the actuator open.



Do **NOT** attempt to disassemble the actuator due to spring under load danger!



Do **NOT** attempt to cut the actuator open, due to spring under load danger!



Unique Single Seat Valve - Reverse Acting, shut off valve, 25-101.6 mm/DN25-100

Pos	Qty	Denomination	DN 25 25 mm	DN 40 38 mm	DN 50 51 mm	DN 65 63.5 mm	DN 80 76.1 mm	DN 100 101.6 mm
<b>Actuator</b>								
		Actuator, complete (NO-RA) .....	9613154806	9613154806	9613154807	9613154808	9613154809	9613154810
		Actuator, complete (NC-RA) .....	9613154801	9613154801	9613154802	9613154803	9613154804	9613154805
		Actuator, complete (A/A) .....	9613154811	9613154811	9613154812	9613154813	9613154814	9613154815
5	1	Adapter, plastic (- 0115) .....						
	1	Adapter, steel (0115 - 0518) .....						
	1	Adapter, steel (0518 -) .....	9615374701	9615374701	9615374701	9615374701	9615374701	9615374701
6	□ 2	Bushing .....						
7	□ 2	O-ring .....						
8	□ 2	O-ring .....						
9	1	Plug .....	9613414101	9613414101	9613414101	9613414101	9613414101	9613414101
12	1(2)	Air fitting .....	9611991988	9611991988	9611991988	9611991988	9611991988	9611991988
<b>Clamp</b>								
19	3	Clamp .....	9612939303	9612939303	9612939304	9612939305	9612939306	9612939307
<b>Bonnet</b>								
20	1	Bonnet .....	9613127102	9613127102	9613127103	9613127104	9613127105	9613127106
21	◆ 4	O-ring, EPDM (standard) .....						
	4	O-ring, HNBR .....						
	4	O-ring, FPM .....						
		O-ring set, (10 pcs.) EPDM .....	9614059422	9614059422	9614059425	9614059428	9614059431	9614059434
		O-ring set, (10 pcs.) HNBR .....	9614059423	9614059423	9614059426	9614059429	9614059432	9614059435
		O-ring set, (10 pcs.) FPM .....	9614059424	9614059424	9614059427	9614059430	9614059433	9614059436
24	1	Bushing .....	9613125002	9613125002	9613125002	9613125002	9613125002	9613125002
25	◆ 1	Lip seal, EPDM (standard) .....						
	1	Lip seal, HNBR .....						
	1	Lip seal, FPM .....						
		Lip seal set, (10 pcs.) EPDM .....	9614059419	9614059419	9614059419	9614059419	9614059419	9614059419
		Lip seal set, (10 pcs.) HNBR .....	9614059420	9614059420	9614059420	9614059420	9614059420	9614059420
		Lip seal set, (10 pcs.) FPM .....	9614059421	9614059421	9614059421	9614059421	9614059421	9614059421
33	1	Lower bonnet .....	9613130102	9613130102	9613130103	9613130104	9613130105	9613130106
<b>Seat</b>								
28	1	Seat .....	9613127501	9613127502	9613127503	9613127504	9613127505	9613127506
<b>Valve body</b>								
26	2	Valve body, upper, 1 port ISO ....	9613139301	9613139303	9613139305	9613139307	9613139309	9613139311
	2	Valve body, upper, 2 ports ISO ...	9613139302	9613139304	9613139306	9613139308	9613139310	9613139312
	2	Valve body, upper, 1 port DIN ....	9613139401	9613139403	9613139405	9613139407	9613139409	9613139411
	2	Valve body, upper, 2 ports DIN ...	9613139402	9613139404	9613139406	9613139408	9613139410	9613139412
<b>Valve plug</b>								
23	1	Plug, shut-off RA, ISO, complete, EPDM (standard) .....	9613127601	9613127602	9613127603	9613127604	9613127605	9613127606
	1	Plug, shut-off RA, ISO, complete, HNBR .....	9613127613	9613127614	9613127615	9613127616	9613127617	9613127618
	1	Plug, shut-off RA, ISO, complete, FPM .....	9613127625	9613127626	9613127627	9613127628	9613127629	9613127630
	1	Plug, shut-off RA, DIN, complete, EPDM (standard) .....	9613127607	9613127608	9613127609	9613127610	9613127611	9613127612
	1	Plug, shut-off RA, DIN, complete, HNBR .....	9613127619	9613127620	9613127621	9613127622	9613127623	9613127624
	1	Plug, shut-off RA, DIN, complete, FPM .....	9613127631	9613127632	9613127633	9613127634	9613127635	9613127636
23.1	1	Plug, shut-off RA, ISO .....	9613149801	9613139902	9613139903	9613139904	9613139905	9613139906
	1	Plug, shut-off RA, DIN .....	9613149802	9613139908	9613139909	9613139910	9613139911	9613139912
23.2◆	1	Plug seal, EPDM (standard) .....						
	1	Plug seal, HNBR .....						
	1	Plug seal, FPM .....						
		Plug seal set, (10 pcs.) EPDM ...	9614059401	9614059404	9614059407	9614059410	9614059413	9614059416
		Plug seal set, (10 pcs.) HNBR ...	9614059402	9614059405	9614059408	9614059411	9614059414	9614059417
		Plug seal set, (10 pcs.) FPM .....	9614059403	9614059406	9614059409	9614059412	9614059415	9614059418

# Unique Single Seat Valve - Reverse Acting, shut off valve, 25-101.6 mm/DN25-100

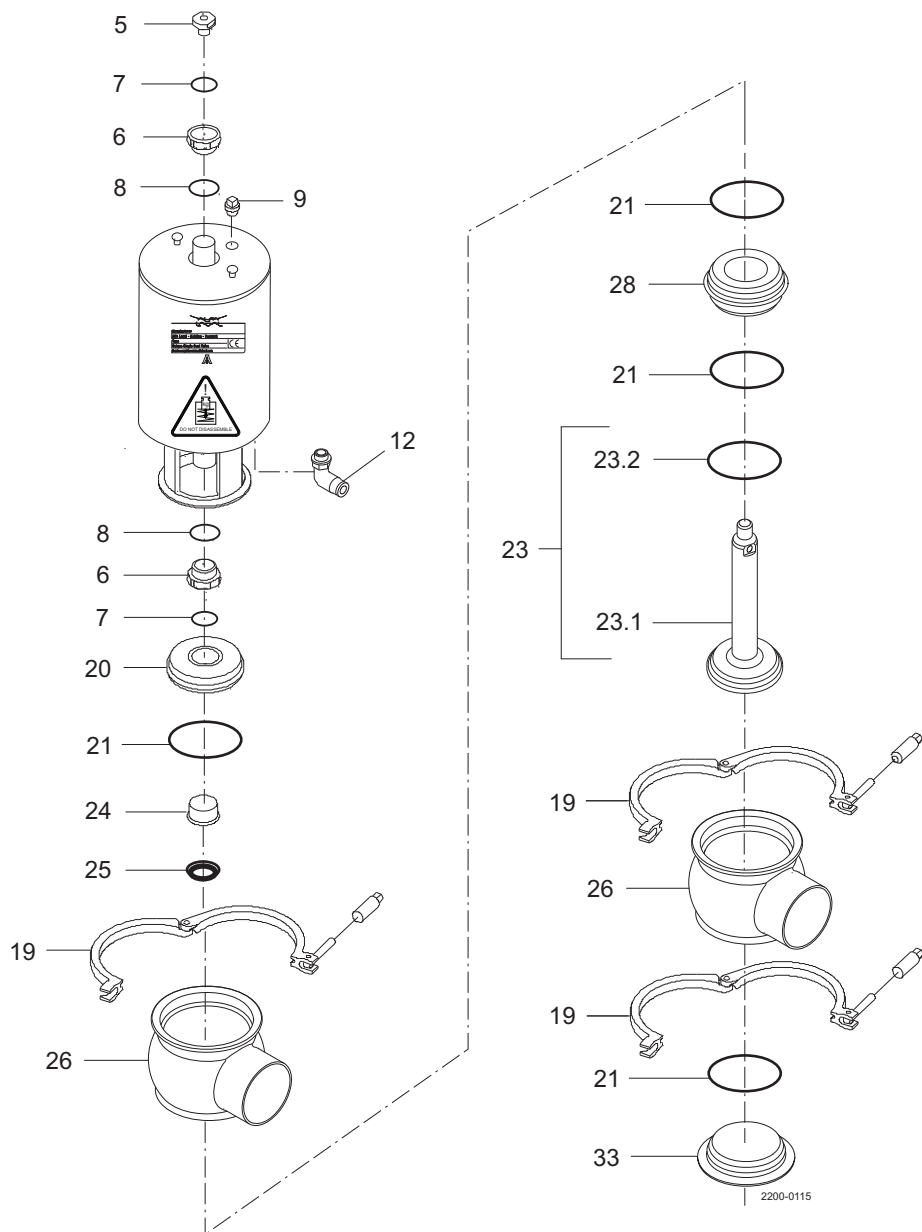
If the actuator is marked with a danger warning do **NOT** attempt to cut the actuator open.



Do **NOT** attempt to disassemble the actuator due to spring under load danger!



Do **NOT** attempt to cut the actuator open, due to spring under load danger!





## Unique Single Seat Valve - Reverse Acting, shut off valve, 25-101.6 mm/DN25-100

		DN 25 25 mm	DN 40 38 mm	DN 50 51 mm	DN 65 63.5 mm	DN 80 76.1 mm	DN 100 101.6 mm
<b>Service kits</b>							
□	Service kit, actuator .....	9611926500	9611926500	9611926500	9611926500	9611926500	9611926500
◆	Service kit, EPDM .....	9611926525	9611926526	9611926527	9611926528	9611926529	9611926530
◆	Service kit, HNBR .....	9611926531	9611926532	9611926533	9611926534	9611926535	9611926536
◆	Service kit, FPM .....	9611926537	9611926538	9611926539	9611926540	9611926541	9611926542

Parts marked with □◆ are included in the service kits. Recommended spare parts: service kits.

TD 900-350/3

Unique Single Seat Valve-Reverse Acting, change-over valve, 25-101.6 mm/DN25-100

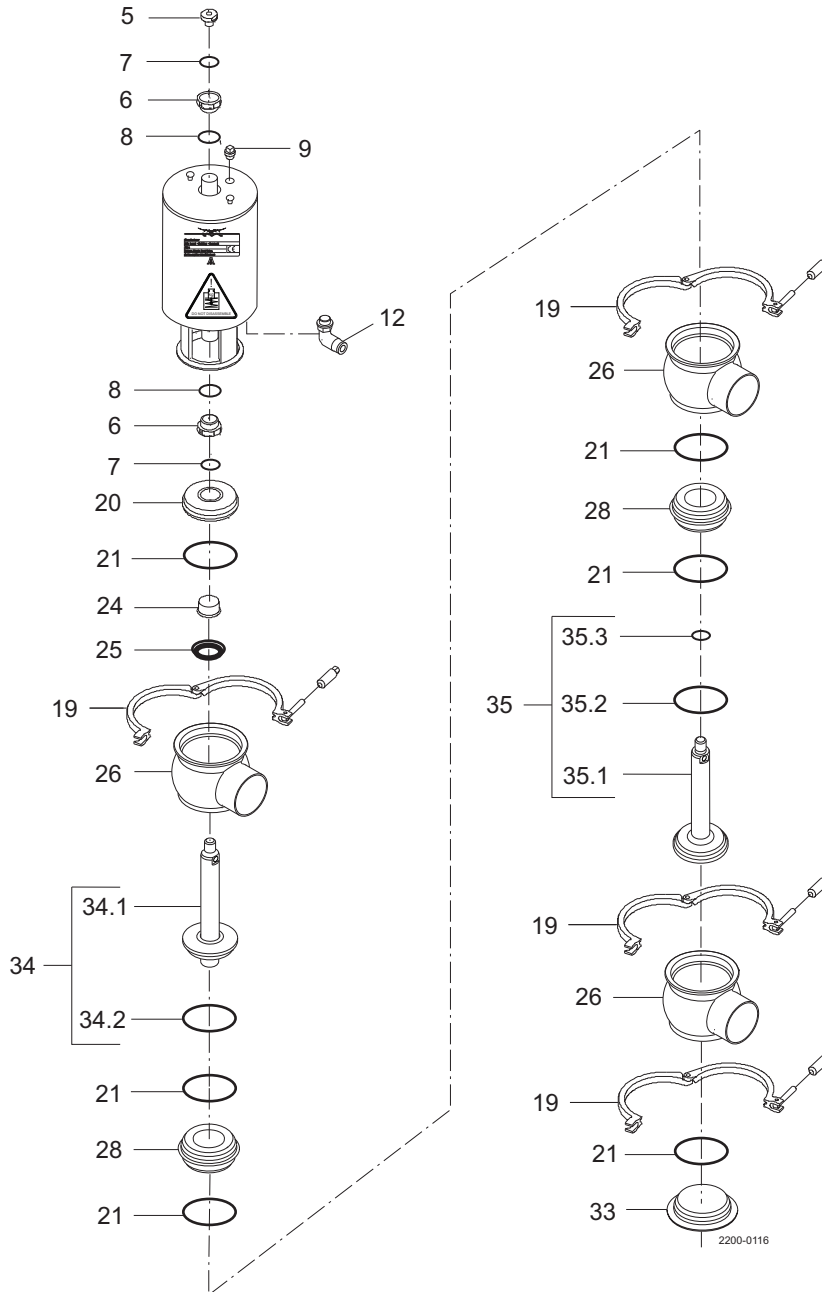
If the actuator is marked with a danger warning do **NOT** attempt to cut the actuator open.



Do **NOT** attempt to disassemble the actuator due to spring under load danger!



Do **NOT** attempt to cut the actuator open, due to spring under load danger!



Unique Single Seat Valve-Reverse Acting, change-over valve, 25-101.6 mm/DN25-100

Pos	Qty	Denomination	DN 25 25 mm	DN 40 38 mm	DN 50 51 mm	DN 65 63.5 mm	DN 80 76.1 mm	DN 100 101.6 mm
<b>Actuator</b>								
		Actuator, complete (NO-RA) .....	9613154806	9613154806	9613154807	9613154808	9613154809	9613154810
		Actuator, complete (NC-RA) .....	9613154801	9613154801	9613154802	9613154803	9613154804	9613154805
		Actuator, complete (A/A) .....	9613154811	9613154811	9613154812	9613154813	9613154814	9613154815
5	1	Adapter, plastic (- 0115) .....						
	1	Adapter, steel (0115 - 0518) .....						
	1	Adapter, steel (0518 -) .....	9615374701	9615374701	9615374701	9615374701	9615374701	9615374701
6	□ 2	Bushing .....						
7	□ 2	O-ring .....						
8	□ 2	O-ring .....						
9	1	Plug .....	9613414101	9613414101	9613414101	9613414101	9613414101	9613414101
12	1(2)	Air fitting .....	9611991988	9611991988	9611991988	9611991988	9611991988	9611991988
<b>Clamp</b>								
19	4	Clamp .....	9612939303	9612939303	9612939304	9612939305	9612939306	9612939307
<b>Bonnet</b>								
20	1	Bonnet .....	9613127102	9613127102	9613127103	9613127104	9613127105	9613127106
21	◆ 6	O-ring, EPDM (standard) .....						
	6	O-ring, HNBR .....						
	6	O-ring, FPM .....						
		O-ring set, (10 pcs.) EPDM .....	9614059422	9614059422	9614059425	9614059428	9614059431	9614059434
		O-ring set, (10 pcs.) HNBR .....	9614059423	9614059423	9614059426	9614059429	9614059432	9614059435
		O-ring set, (10 pcs.) FPM .....	9614059424	9614059424	9614059427	9614059430	9614059433	9614059436
24	1	Bushing .....	9613125002	9613125002	9613125002	9613125002	9613125002	9613125002
25	◆ 1	Lip seal, EPDM (standard) .....						
	1	Lip seal, HNBR .....						
	1	Lip seal, FPM .....						
		Lip seal set, (10 pcs.) EPDM .....	9614059419	9614059419	9614059419	9614059419	9614059419	9614059419
		Lip seal set, (10 pcs.) HNBR .....	9614059420	9614059420	9614059420	9614059420	9614059420	9614059420
		Lip seal set, (10 pcs.) FPM .....	9614059421	9614059421	9614059421	9614059421	9614059421	9614059421
33	1	Lower bonnet .....	9613130102	9613130102	9613130103	9613130104	9613130105	9613130106
<b>Seat</b>								
28	2	Seat .....	9613127501	9613127502	9613127503	9613127504	9613127505	9613127506
<b>Valve Body</b>								
26	3	Valve body, upper, 1 port ISO ....	9613139301	9613139303	9613139305	9613139307	9613139309	9613139311
	3	Valve body, upper, 2 ports ISO ...	9613139302	9613139304	9613139306	9613139308	9613139310	9613139312
	3	Valve body, upper, 1 port DIN ....	9613139401	9613139403	9613139405	9613139407	9613139409	9613139411
	3	Valve body, upper, 2 ports DIN ...	9613139402	9613139404	9613139406	9613139408	9613139410	9613139412

# Unique Single Seat Valve-Reverse Acting, change-over valve, 25-101.6 mm/DN25-100

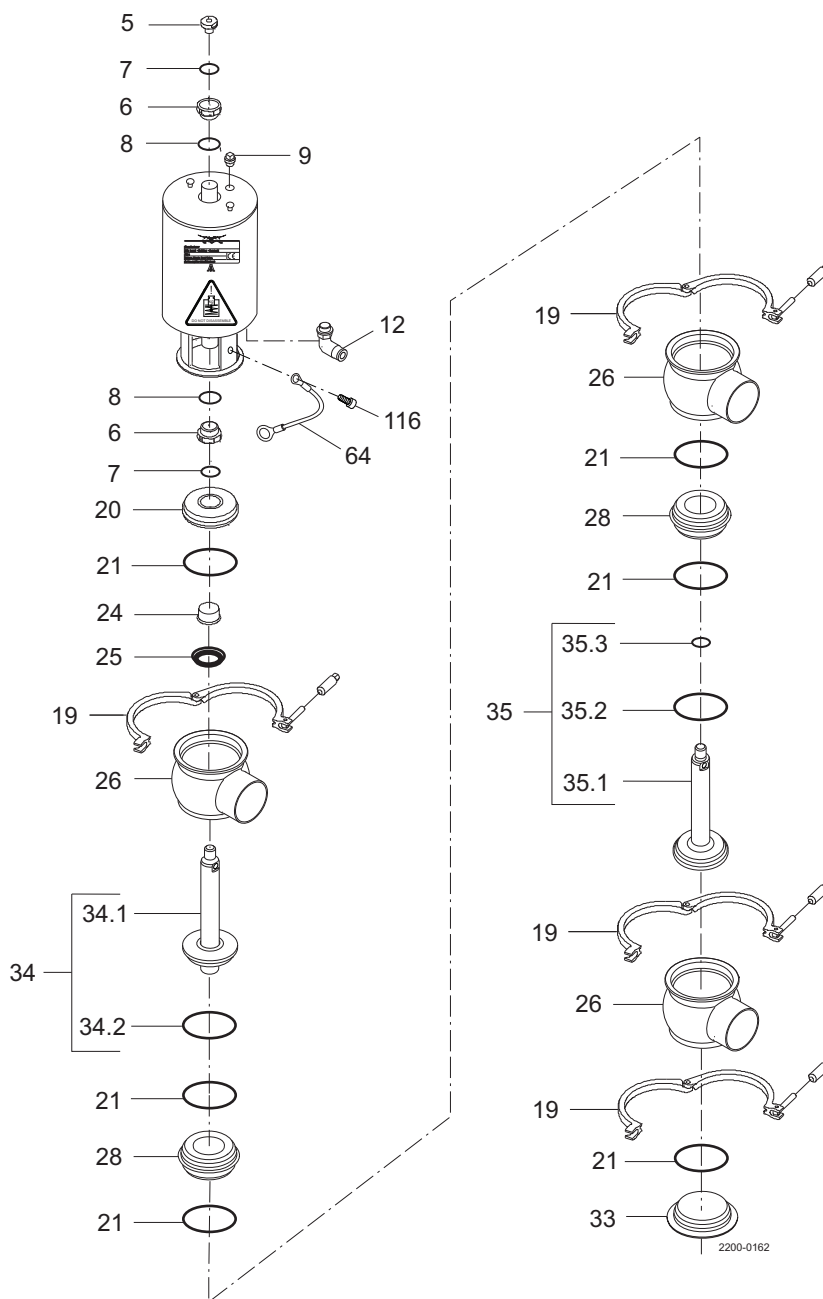
If the actuator is marked with a danger warning do **NOT** attempt to cut the actuator open.



Do **NOT** attempt to disassemble the actuator due to spring under load danger!



Do **NOT** attempt to cut the actuator open, due to spring under load danger!



Unique Single Seat Valve-Reverse Acting, change-over valve, 25-101.6 mm/DN25-100

Pos	Qty	Denomination	DN 25 25 mm	DN 40 38 mm	DN 50 51 mm	DN 65 63.5 mm	DN 80 76.1 mm	DN 100 101.6 mm
<b>Valve Plug</b>								
34	1	Plug, change-over upper RA, ISO, complete, EPDM (standard) .....	9613162101	9613162102	9613162103	9613162104	9613162105	9613162106
	1	Plug, change-over upper RA, ISO, complete, HNBR .....	9613162113	9613162114	9613162115	9613162116	9613162117	9613162118
	1	Plug, change-over upper RA, ISO, complete, FPM .....	9613162125	9613162126	9613162127	9613162128	9613162129	9613162130
	1	Plug, change-over upper RA, DIN, complete, EPDM (standard) .....	9613162107	9613162108	9613162109	9613162110	9613162111	9613162112
	1	Plug, change-over upper RA, DIN, complete, HNBR .....	9613162119	9613162120	9613162121	9613162122	9613162123	9613162124
	1	Plug, change-over upper RA, DIN, complete, FPM .....	9613162131	9613162132	9613162133	9613162134	9613162135	9613162136
34.1	1	Plug, change-over upper RA, ISO	9613150201	9613140102	9613140103	9613140104	9613140105	9613140106
	1	Plug, change-over upper RA, DIN	9613150202	9613140108	9613140109	9613140110	9613140111	9613140112
34.2♦	1	Plug seal, EPDM (standard) .....						
	1	Plug seal, HNBR .....						
	1	Plug seal, FPM .....						
		Plug seal set, (10 pcs.) EPDM .....	9614059401	9614059404	9614059407	9614059410	9614059413	9614059416
		Plug seal set, (10 pcs.) HNBR .....	9614059402	9614059405	9614059408	9614059411	9614059414	9614059417
		Plug seal set, (10 pcs.) FPM .....	9614059403	9614059406	9614059409	9614059412	9614059415	9614059418
35	1	Plug, change-over lower RA, ISO, complete, EPDM (standard) .....	9613162201	9613162202	9613162203	9613162204	9613162205	9613162206
	1	Plug, change-over lower RA, ISO, complete, HNBR .....	9613162213	9613162214	9613162215	9613162216	9613162217	9613162218
	1	Plug, change-over lower RA, ISO, complete, FPM .....	9613162225	9613162226	9613162227	9613162228	9613162229	9613162230
	1	Plug, change-over lower RA, DIN, complete, EPDM (standard) .....	9613162207	9613162208	9613162209	9613162210	9613162211	9613162212
	1	Plug, change-over lower RA, DIN, complete, HNBR .....	9613162219	9613162220	9613162221	9613162222	9613162223	9613162224
	1	Plug, change-over lower RA, DIN, complete, FPM .....	9613162231	9613162232	9613162233	9613162234	9613162235	9613162236
35.1	1	Plug, change-over lower RA, ISO	9613150501	9613164601	9613164701	9613164702	9613164703	9613164704
	1	Plug, change-over lower RA, DIN	9613150502	9613164602	9613164705	9613164706	9613164707	9613164708
35.2♦	1	Plug seal, EPDM (standard) .....						
	1	Plug seal, HNBR .....						
	1	Plug seal, FPM .....						
		Plug seal set, (10 pcs.) EPDM .....	9614059401	9614059404	9614059407	9614059410	9614059413	9614059416
		Plug seal set, (10 pcs.) HNBR .....	9614059402	9614059405	9614059408	9614059411	9614059414	9614059417
		Plug seal set, (10 pcs.) FPM .....	9614059403	9614059406	9614059409	9614059412	9614059415	9614059418
35.3♦	1	O-ring, EPDM (standard) .....						
	1	O-ring, HNBR .....						
	1	O-ring, FPM .....						
		O-ring set, (10 pcs.) EPDM .....	9614059442	9614059443	9614059443	9614059443	9614059443	9614059443
		O-ring set, (10 pcs.) HNBR .....	9614059444	9614059445	9614059445	9614059445	9614059445	9614059445
		O-ring set, (10 pcs.) FPM .....	9614059446	9614059447	9614059447	9614059447	9614059447	9614059447
			<b>DN 25</b> <b>25 mm</b>	<b>DN 40</b> <b>38 mm</b>	<b>DN 50</b> <b>51 mm</b>	<b>DN 65</b> <b>63.5 mm</b>	<b>DN 80</b> <b>76.1 mm</b>	<b>DN 100</b> <b>101.6 mm</b>

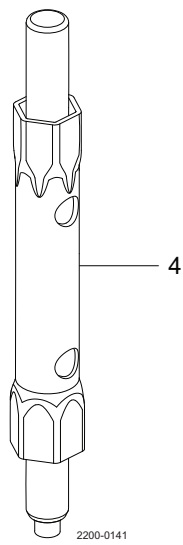
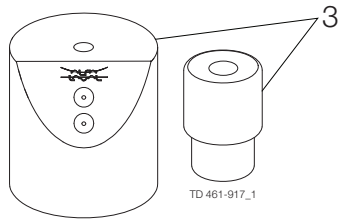
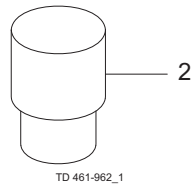
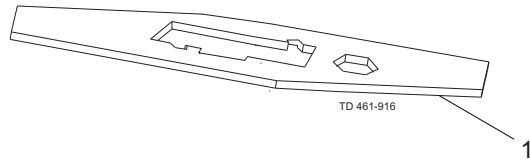
Service kits

□	Service kit, actuator .....	9611926500	9611926500	9611926500	9611926500	9611926500	9611926500	9611926500
♦	Service kit, EPDM .....	9611926597	9611926598	9611926599	9611926600	9611926601	9611926602	9611926602
♦	Service kit, HNBR .....	9611926603	9611926604	9611926605	9611926606	9611926607	9611926608	9611926608
♦	Service kit, FPM .....	9611926609	9611926610	9611926611	9611926612	9611926613	9611926614	9611926614

Parts marked with □♦ are included in the service kits.

Recommended spare parts: Service kits.

TD 900-350/3



## Mounting tool

---

Pos	Qty	Denomination	DN 25-65	DN 80-150
			25-63.5 mm	76.1-101.6 mm
1	1	Service tool only for Maintainable actuator .....	3135302191	9612454001

TD 900-512

Pos	Qty	Denomination	DN 25-100
			25-101.6 mm
2	1	Tool for bushing (pos. 24) .....	9613160901

TD 900-518

Pos	Qty	Denomination	DN 25	DN 40	DN 50	DN 65	DN 80	DN 100
			25 mm	38 mm	51 mm	63.5 mm	76.1 mm	101.6 mm
3	1	Mounting tool for elastomer plug seals .....	Not available	9613172901	9613172902	9613172902	9613172903	9613172903

TD 900-520

Pos	Qty	Denomination	DN 25-100
			25-101.6 mm
4	1	Tool for actuator bushing (pos. 6)	9614198401

TD 900-701

**How to contact Alfa Laval**

Contact details for all countries are continually updated on our website.

Please visit [www.alfalaval.com](http://www.alfalaval.com) to access the information directly.

© Alfa Laval Corporate AB

This document and its contents is owned by Alfa Laval Corporate AB and protected by laws governing intellectual property and thereto related rights. It is the responsibility of the user of this document to comply with all applicable intellectual property laws. Without limiting any rights related to this document, no part of this document may be copied, reproduced or transmitted in any form or by any means (electronic, mechanical, photocopying, recording, or otherwise), or for any purpose, without the expressed permission of Alfa Laval Corporate AB. Alfa Laval Corporate AB will enforce its rights related to this document to the fullest extent of the law, including the seeking of criminal prosecution.