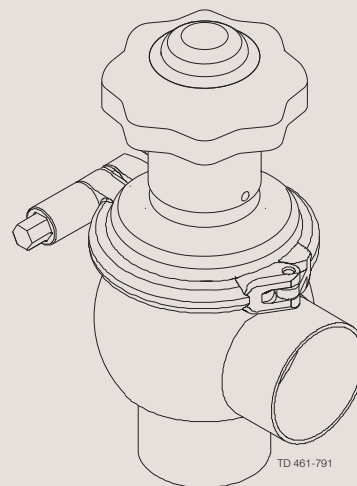
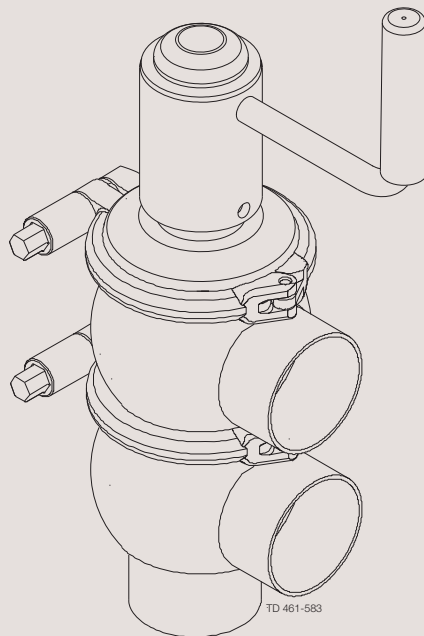




Spare Parts

Unique Single Seat Valve - Manually Operated/Manual Regulating



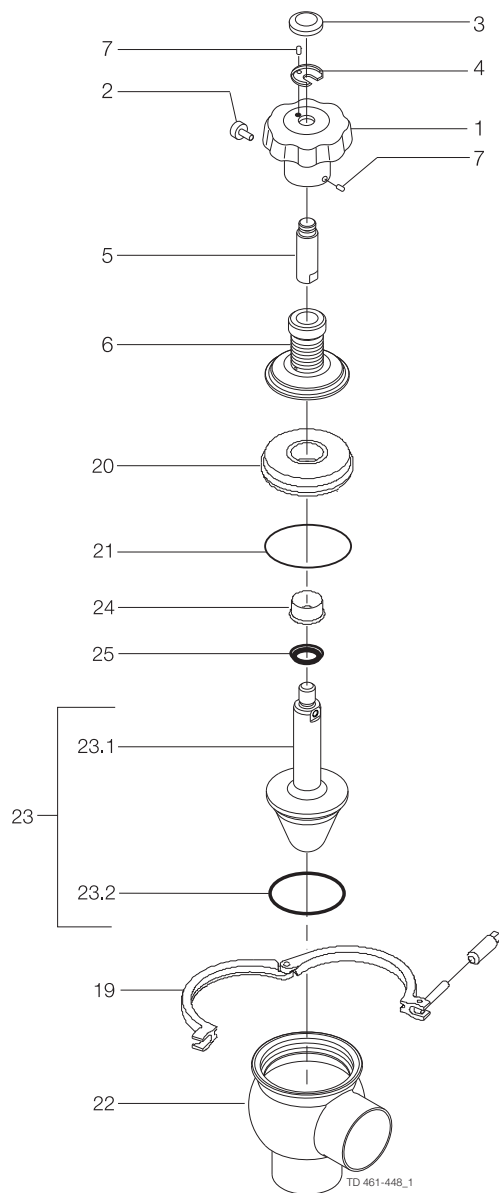
ESE00534-EN4 2014-06

Original manual

Table of contents

The information herein is correct at the time of issue but may be subject to change without prior notice

1. Unique Single Seat Valve - Manual Regulating Valve 38-101.6 mm/DN40-100	4
2. Unique Single Seat Valve - Manual Operated Shut off Valve 25-101.6 mm/DN25-100	6
3. Unique Single Seat Valve Manual Operated Change-over Valve - 25-101.6 mm/DN25-100	8
4. Mounting Tool - Unique Single Seat Valve - Manually Operated/Manual Regulating Valve	10



Unique Single Seat Valve - Manual Regulating Valve 38-101.6 mm/DN40-100

Pos	Qty	Denomination	DN 40 38 mm	DN 50 51 mm	DN 65 63.5 mm	DN 80 76.1 mm	DN 100 101.6 mm
Actuator							
		Operating mechanism complete	9613-1635-01	9613-1635-02	9613-1635-03	9613-1635-04	9613-1635-05
9	1	Hand wheel	31353-0528-1	31353-0528-1	31353-0528-1	31353-0528-1	31353-0528-1
10	1	Lock screw	31353-0529-1	31353-0529-1	31353-0529-1	31353-0529-1	31353-0529-1
3	1	Cap	31353-0468-1	31353-0468-1	31353-0468-1	31353-0468-1	31353-0468-1
4	1	Washer	31353-0467-1	31353-0467-1	31353-0467-1	31353-0467-1	31353-0467-1
8	1	Stem holder	9613-1624-01	9613-1624-01	9613-1624-01	9613-1624-01	9613-1624-01
6	1	Guide	9613-1623-01	9613-1623-02	9613-1623-03	9613-1623-04	9613-1623-05
7	2	Set screw	221581-92	221581-92	221581-92	221581-92	221581-92
Clamp							
19	1	Clamp	9612-9393-03	9612-9393-04	9612-9393-05	9612-9393-06	9612-9393-07
Bonnet							
20	1	Bonnet	9613-1271-02	9613-1271-03	9613-1271-04	9613-1271-05	9613-1271-06
21	□	O-ring, EPDM (standard)					
	1	O-ring, HNBR					
	1	O-ring, FPM					
		O-ring set (10 pcs.) EPDM	9614-0594-22	9614-0594-25	9614-0594-28	9614-0594-31	9614-0594-34
		O-ring set (10 pcs.) HNBR	9614-0594-23	9614-0594-26	9614-0594-29	9614-0594-32	9614-0594-35
		O-ring set (10 pcs.) FPM	9614-0594-24	9614-0594-27	9614-0594-30	9614-0594-33	9614-0594-36
24	□	Bushing	9613-1250-02	9613-1250-02	9613-1250-02	9613-1250-02	9613-1250-02
25	□	Lip seal, EPDM (standard)					
	1	Lip seal, HNBR					
	1	Lip seal, FPM					
		Lip seal set (10 pcs.) EPDM	9614-0594-19	9614-0594-19	9614-0594-19	9614-0594-19	9614-0594-19
		Lip seal set (10 pcs.) HNBR	9614-0594-20	9614-0594-20	9614-0594-20	9614-0594-20	9614-0594-20
		Lip seal set (10 pcs.) FPM	9614-0594-21	9614-0594-21	9614-0594-21	9614-0594-21	9614-0594-21
Valve Body							
22	1	Valve body, lower, 2 ports ISO	9613-1395-03	9613-1395-05	9613-1395-07	9613-1395-09	9613-1395-11
	1	Valve body, lower, 3 ports ISO	9613-1395-04	9613-1395-06	9613-1395-08	9613-1395-10	9613-1395-12
	1	Valve body, lower, 2 ports DIN	9613-1396-03	9613-1396-05	9613-1396-07	9613-1396-09	9613-1396-11
	1	Valve body, lower, 3 ports DIN	9613-1396-04	9613-1396-06	9613-1396-08	9613-1396-10	9613-1396-12
Valve Plug							
23	1	Plug, regulating, ISO, complete, EPDM (standard)	9613-1589-02	9613-1589-03	9613-1589-04	9613-1589-05	9613-1589-06
	1	Plug, regulating, ISO, complete, HNBR	9613-1589-14	9613-1589-15	9613-1589-16	9613-1589-17	9613-1589-18
	1	Plug, regulating, ISO, complete, FPM	9613-1589-26	9613-1589-27	9613-1589-28	9613-1589-29	9613-1589-30
	1	Plug, regulating, DIN, complete, EPDM (standard)	9613-1589-08	9613-1589-09	9613-1589-10	9613-1589-11	9613-1589-12
	1	Plug, regulating, DIN, complete, HNBR	9613-1589-20	9613-1589-21	9613-1589-22	9613-1589-23	9613-1589-24
	1	Plug, regulating, DIN, complete, FPM	9613-1589-32	9613-1589-33	9613-1589-34	9613-1589-35	9613-1589-36
	1	Plug, regulating, ISO, complete, EPDM (standard) kv14-option	9613-1589-01				
	1	Plug, regulating, ISO, complete, HNBR, kv14-option	9613-1589-13				
	1	Plug, regulating, ISO, complete, FPM, kv14-option	9613-1589-25				
	1	Plug, regulating, DIN, complete, EPDM (standard) kv14-option	9613-1589-07				
	1	Plug, regulating, DIN, complete, HNBR, kv14-option	9613-1589-19				
	1	Plug, regulating, DIN, complete, FPM, kv14-option	9613-1589-31				
23.1	1	Plug, regulating, ISO	9613-1588-02	9613-1588-03	9613-1588-04	9613-1588-05	9613-1588-06
	1	Plug, regulating, DIN	9613-1588-08	9613-1588-09	9613-1588-10	9613-1588-11	9613-1588-12
	1	Plug, regulating, ISO, kv14-option	9613-1588-01				
	1	Plug, regulating, DIN, kv14-option	9613-1588-07				
23.2	□	Plug seal, EPDM (standard)					
	1	Plug seal, HNBR					
	1	Plug seal, FPM					
		Plug seal set (10 pcs.) EPDM	9614-0594-04	9614-0594-07	9614-0594-10	9614-0594-13	9614-0594-16
		Plug seal set (10 pcs.) HNBR	9614-0594-05	9614-0594-08	9614-0594-11	9614-0594-14	9614-0594-17
		Plug seal set (10 pcs.) FPM	9614-0594-06	9614-0594-09	9614-0594-12	9614-0594-15	9614-0594-18
			DN 40	DN 50	DN 65	DN 80	DN 100
			38 mm	51 mm	63.5 mm	76.1 mm	101.6 mm

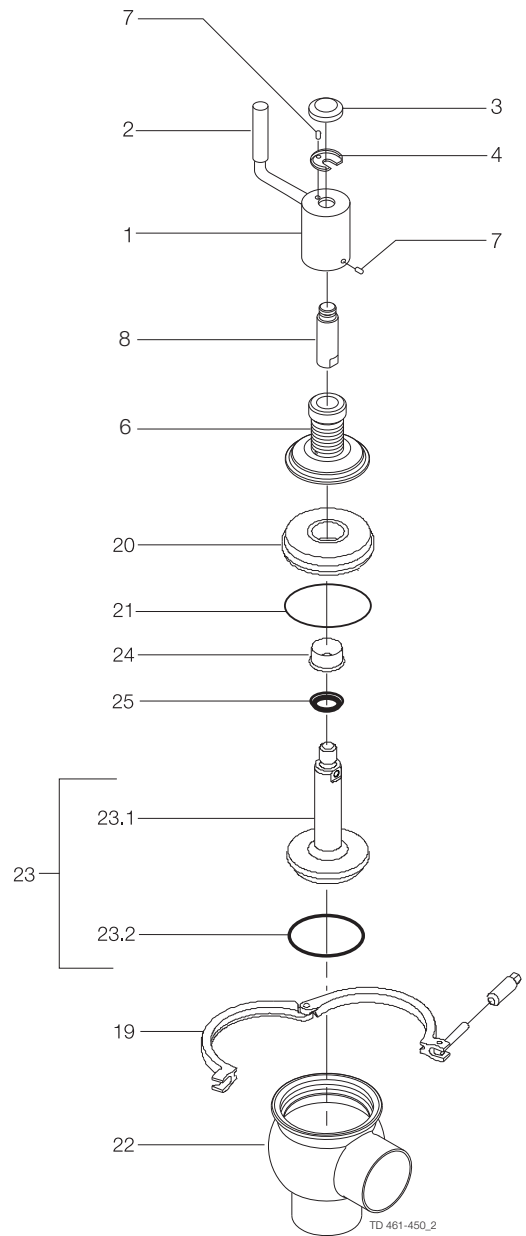
Service kits for Product wetted parts, standard

□	Service kit, EPDM	9611-92-6502	9611-92-6503	9611-92-6504	9611-92-6505	9611-92-6506
□	Service kit, HNBR	9611-92-6508	9611-92-6509	9611-92-6510	9611-92-6511	9611-92-6512
□	Service kit, FPM	9611-92-6514	9611-92-6515	9611-92-6516	9611-92-6517	9611-92-6518

Parts marked with □ are included in the service kits (product wetted parts)

Recommended spare parts: Service kits.

TD 900-358/2



Unique Single Seat Valve - Manual Operated Shut off Valve 25-101.6 mm/DN25-100

Pos	Qty	Denomination	DN 25 25 mm	DN 40 38 mm	DN 50 51 mm	DN 65 63.5 mm	DN 80 76.1 mm	DN 100 101.6 mm
Actuator								
		Crank mechanism complete	9613-1634-01	9613-1634-01	9613-1634-02	9613-1634-03	9613-1634-04	9613-1634-05
1	1	Crank	31353-0462-1	31353-0462-1	31353-0462-1	31353-0462-1	31353-0462-1	31353-0462-1
2	1	Handle (included in pos. 1)	31353-0495-1	31353-0495-1	31353-0495-1	31353-0495-1	31353-0495-1	31353-0495-1
3	1	Cap	31353-0468-1	31353-0468-1	31353-0468-1	31353-0468-1	31353-0468-1	31353-0468-1
4	1	Washer	31353-0467-1	31353-0467-1	31353-0467-1	31353-0467-1	31353-0467-1	31353-0467-1
8	1	Stem holder	9613-1624-01	9613-1624-01	9613-1624-01	9613-1624-01	9613-1624-01	9613-1624-01
6	1	Guide	9613-1623-01	9613-1623-01	9613-1623-02	9613-1623-03	9613-1623-04	9613-1623-05
7	2	Set screw	221581-92	221581-92	221581-92	221581-92	221581-92	221581-92
Clamp								
19	1	Clamp	9612-9393-03	9612-9393-03	9612-9393-04	9612-9393-05	9612-9393-06	9612-9393-07
Bonnet								
20	1	Bonnet	9613-1271-02	9613-1271-02	9613-1271-03	9613-1271-04	9613-1271-05	9613-1271-06
21	□	O-ring, EPDM (standard)						
	1	O-ring, HNBR						
	1	O-ring, FPM						
	1	O-ring set (10 pcs.) EPDM	9614-0594-22	9614-0594-22	9614-0594-25	9614-0594-28	9614-0594-31	9614-0594-34
	1	O-ring set (10 pcs.) HNBR	9614-0594-23	9614-0594-23	9614-0594-26	9614-0594-29	9614-0594-32	9614-0594-35
	1	O-ring set (10 pcs.) FPM	9614-0594-24	9614-0594-24	9614-0594-27	9614-0594-30	9614-0594-33	9614-0594-36
24	1	Bushing	9613-1250-02	9613-1250-02	9613-1250-02	9613-1250-02	9613-1250-02	9613-1250-02
25	□	Lip seal, EPDM (standard)						
	1	Lip seal, HNBR						
	1	Lip seal, FPM						
	1	Lip seal set (10 pcs.) EPDM	9614-0594-19	9614-0594-19	9614-0594-19	9614-0594-19	9614-0594-19	9614-0594-19
	1	Lip seal set (10 pcs.) HNBR	9614-0594-20	9614-0594-20	9614-0594-20	9614-0594-20	9614-0594-20	9614-0594-20
	1	Lip seal set (10 pcs.) FPM	9614-0594-21	9614-0594-21	9614-0594-21	9614-0594-21	9614-0594-21	9614-0594-21
Valve Body								
22	1	Valve body, lower, 2 ports ISO ...	9613-1395-01	9613-1395-03	9613-1395-05	9613-1395-07	9613-1395-09	9613-1395-11
	1	Valve body, lower, 3 ports ISO ...	9613-1395-02	9613-1395-04	9613-1395-06	9613-1395-08	9613-1395-10	9613-1395-12
	1	Valve body, lower, 2 ports DIN ...	9613-1396-01	9613-1396-03	9613-1396-05	9613-1396-07	9613-1396-09	9613-1396-11
	1	Valve body, lower, 3 ports DIN ...	9613-1396-02	9613-1396-04	9613-1396-06	9613-1396-08	9613-1396-10	9613-1396-12
Valve Plug								
23	1	Plug, shut off, ISO, complete, EPDM (standard)	9613-1388-01	9613-1388-02	9613-1388-03	9613-1388-04	9613-1388-05	9613-1388-06
	1	Plug, shut off, ISO, complete, HNBR	9613-1388-13	9613-1388-14	9613-1388-15	9613-1388-16	9613-1388-17	9613-1388-18
	1	Plug, shut off, ISO, complete, FPM	9613-1388-25	9613-1388-26	9613-1388-27	9613-1388-28	9613-1388-29	9613-1388-30
	1	Plug, shut off, DIN, complete, EPDM (standard)	9613-1388-07	9613-1388-08	9613-1388-09	9613-1388-10	9613-1388-11	9613-1388-12
	1	Plug, shut off, DIN, complete, HNBR	9613-1388-19	9613-1388-20	9613-1388-21	9613-1388-22	9613-1388-23	9613-1388-24
	1	Plug, shut off, DIN, complete, FPM	9613-1388-31	9613-1388-32	9613-1388-33	9613-1388-34	9613-1388-35	9613-1388-36
23.1	1	Plug, shut off, ISO	9613-1496-01	9613-1398-02	9613-1398-03	9613-1398-04	9613-1398-05	9613-1398-06
	1	Plug, shut off, DIN	9613-1496-02	9613-1398-08	9613-1398-09	9613-1398-10	9613-1398-11	9613-1398-12
23.2	□	Plug seal, EPDM (standard)						
	1	Plug seal, HNBR						
	1	Plug seal, FPM						
	1	Plug seat set (10 pcs.) EPDM	9614-0594-01	9614-0594-04	9614-0594-07	9614-0594-10	9614-0594-13	9614-0594-16
	1	Plug seat set (10 pcs.) HNBR	9614-0594-02	9614-0594-05	9614-0594-08	9614-0594-11	9614-0594-14	9614-0594-17
	1	Plug seat set (10 pcs.) FPM	9614-0594-03	9614-0594-06	9614-0594-09	9614-0594-12	9614-0594-15	9614-0594-18
			DN 25 25 mm	DN 40 38 mm	DN 50 51 mm	DN 65 63.5 mm	DN 80 76.1 mm	DN 100 101.6 mm

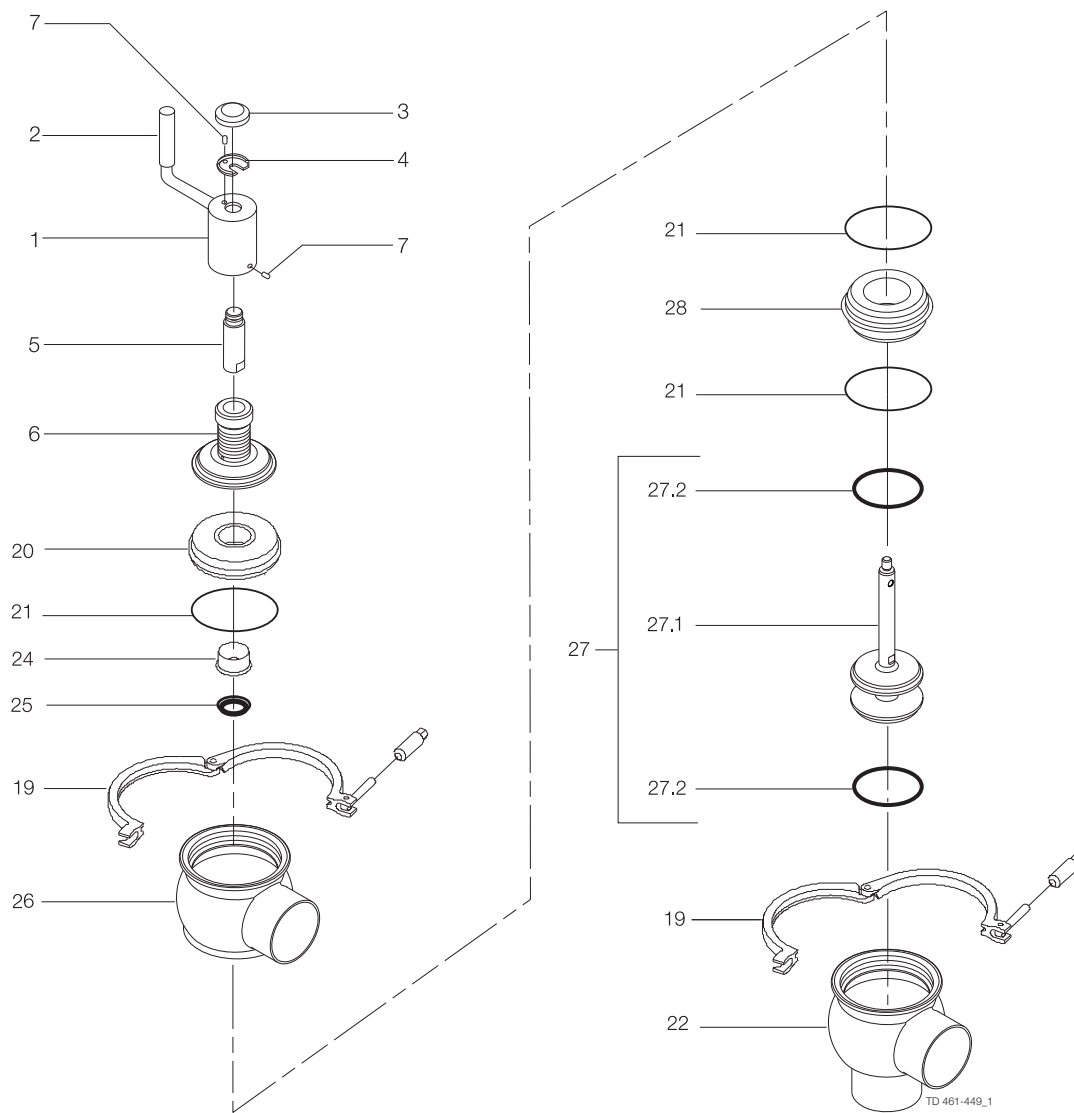
Service kit for product wetted parts, standard

□	Service kit, EPDM	9611-92-6501	9611-92-6502	9611-92-6503	9611-92-6504	9611-92-6505	9611-92-6506
□	Service kit, HNBR	9611-92-6507	9611-92-6508	9611-92-6509	9611-92-6510	9611-92-6511	9611-92-6512
□	Service kit, FPM	9611-92-6513	9611-92-6514	9611-92-6515	9611-92-6516	9611-92-6517	9611-92-6518

Parts marked with □ are included in the service kits (product wetted parts)

Recommended spare parts: Service kits.

TD 900-383/2



Unique Single Seat Valve Manual Operated Change-over Valve - 25-101.6 mm/DN25-100

Pos	Qty	Denomination	DN 25 25 mm	DN 40 38 mm	DN 50 51 mm	DN 65 63.5 mm	DN 80 76.1 mm	DN 100 101.6 mm
Actuator								
		Crank mechanism complete	9613-1634-01	9613-1634-01	9613-1634-02	9613-1634-03	9613-1634-04	9613-1634-05
1	1	Crank	31353-0462-1	31353-0462-1	31353-0462-1	31353-0462-1	31353-0462-1	31353-0462-1
2	1	Handle (included in pos. 1)	31353-0495-1	31353-0495-1	31353-0495-1	31353-0495-1	31353-0495-1	31353-0495-1
3	1	Cap	31353-0468-1	31353-0468-1	31353-0468-1	31353-0468-1	31353-0468-1	31353-0468-1
4	1	Washer	31353-0467-1	31353-0467-1	31353-0467-1	31353-0467-1	31353-0467-1	31353-0467-1
8	1	Stem holder	9613-1624-01	9613-1624-01	9613-1624-01	9613-1624-01	9613-1624-01	9613-1624-01
6	1	Guide	9613-1623-01	9613-1623-01	9613-1623-02	9613-1623-03	9613-1623-04	9613-1623-05
7	2	Set screw	221581-92	221581-92	221581-92	221581-92	221581-92	221581-92
Clamp								
19	2	Clamp	9612-9393-03	9612-9393-03	9612-9393-04	9612-9393-05	9612-9393-06	9612-9393-07
Bonnet								
20	1	Bonnet	9613-1271-02	9613-1271-02	9613-1271-03	9613-1271-04	9613-1271-05	9613-1271-06
21	□	3 O-ring, EPDM (standard)						
		3 O-ring, HNBR						
		3 O-ring, FPM						
		O-ring set (10 pcs.) EPDM	9614-0594-22	9614-0594-22	9614-0594-25	9614-0594-28	9614-0594-31	9614-0594-34
		O-ring set (10 pcs.) HNBR	9614-0594-23	9614-0594-23	9614-0594-26	9614-0594-29	9614-0594-32	9614-0594-35
		O-ring set (10 pcs.) FPM	9614-0594-24	9614-0594-24	9614-0594-27	9614-0594-30	9614-0594-33	9614-0594-36
24	1	Bushing	9613-1250-02	9613-1250-02	9613-1250-02	9613-1250-02	9613-1250-02	9613-1250-02
25	□	1 Lip seal, EPDM (standard)						
		1 Lip seal, HNBR						
		1 Lip seal, FPM						
		Lip seal set (10 pcs.) EPDM	9614-0594-19	9614-0594-19	9614-0594-19	9614-0594-19	9614-0594-19	9614-0594-19
		Lip seal set (10 pcs.) HNBR	9614-0594-20	9614-0594-20	9614-0594-20	9614-0594-20	9614-0594-20	9614-0594-20
		Lip seal set (10 pcs.) FPM	9614-0594-21	9614-0594-21	9614-0594-21	9614-0594-21	9614-0594-21	9614-0594-21
Seat								
28	1	Seat	9613-1275-01	9613-1275-02	9613-1275-03	9613-1275-04	9613-1275-05	9613-1275-06
Valve Body								
26	1	Valve body, upper, 1 port ISO	9613-1393-01	9613-1393-03	9613-1393-05	9613-1393-07	9613-1393-09	9613-1393-11
	1	Valve body, upper, 2 ports ISO ...	9613-1393-02	9613-1393-04	9613-1393-06	9613-1393-08	9613-1393-10	9613-1393-12
	1	Valve body, upper, 1 port DIN	9613-1394-01	9613-1394-03	9613-1394-05	9613-1394-07	9613-1394-09	9613-1394-11
	1	Valve body, upper, 2 ports DIN ...	9613-1394-02	9613-1394-04	9613-1394-06	9613-1394-08	9613-1394-10	9613-1394-12
22	1	Valve body, lower, 2 ports ISO ...	9613-1395-01	9613-1395-03	9613-1395-05	9613-1395-07	9613-1395-09	9613-1395-11
	1	Valve body, lower, 3 ports ISO ...	9613-1395-02	9613-1395-04	9613-1395-06	9613-1395-08	9613-1395-10	9613-1395-12
	1	Valve body, lower, 2 ports DIN ...	9613-1396-01	9613-1396-03	9613-1396-05	9613-1396-07	9613-1396-09	9613-1396-11
	1	Valve body, lower, 3 ports DIN ...	9613-1396-02	9613-1396-04	9613-1396-06	9613-1396-08	9613-1396-10	9613-1396-12
Valve Plug								
27	1	Plug, change over, ISO complete, EPDM (standard)	9613-1277-01	9613-1277-02	9613-1277-03	9613-1277-04	9613-1277-05	9613-1277-06
	1	Plug, change over, ISO complete, HNBR	9613-1277-13	9613-1277-14	9613-1277-15	9613-1277-16	9613-1277-17	9613-1277-18
	1	Plug, change over, ISO complete, FPM	9613-1277-25	9613-1277-26	9613-1277-27	9613-1277-28	9613-1277-29	9613-1277-30
	1	Plug, change over, DIN complete, EPDM (standard)	9613-1277-07	9613-1277-08	9613-1277-09	9613-1277-10	9613-1277-11	9613-1277-12
	1	Plug, change over, DIN complete, HNBR	9613-1277-19	9613-1277-20	9613-1277-21	9613-1277-22	9613-1277-23	9613-1277-24
	1	Plug, change over, DIN complete, FPM	9613-1277-31	9613-1277-32	9613-1277-33	9613-1277-34	9613-1277-35	9613-1277-36
27.1	1	Plug, change over, ISO	9613-1497-01	9613-1400-02	9613-1400-03	9613-1400-04	9613-1400-05	9613-1400-06
	1	Plug, change over, DIN	9613-1497-02	9613-1400-08	9613-1400-09	9613-1400-10	9613-1400-11	9613-1400-12
27.2	□	2 Plug seal, EPDM (standard)						
		2 Plug seal, HNBR						
		2 Plug seal, FPM						
		Plug seal set (10 pcs.) EPDM	9614-0594-01	9614-0594-04	9614-0594-07	9614-0594-10	9614-0594-13	9614-0594-16
		Plug seal set (10 pcs.) HNBR	9614-0594-02	9614-0594-05	9614-0594-08	9614-0594-11	9614-0594-14	9614-0594-17
		Plug seal set (10 pcs.) FPM	9614-0594-03	9614-0594-06	9614-0594-09	9614-0594-12	9614-0594-15	9614-0594-18
			DN 25 25 mm	DN 40 38 mm	DN 50 51 mm	DN 65 63.5 mm	DN 80 76.1 mm	DN 100 101.6 mm

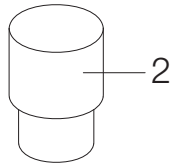
Service kit for product wetted parts, standard

□	Service kit, EPDM	9611-92-6579	9611-92-6580	9611-92-6581	9611-92-6582	9611-92-6583	9611-92-6584
□	Service kit, HNBR	9611-92-6585	9611-92-6586	9611-92-6587	9611-92-6588	9611-92-6589	9611-92-6590
□	Service kit, FPM	9611-92-6591	9611-92-6592	9611-92-6593	9611-92-6594	9611-92-6595	9611-92-6596

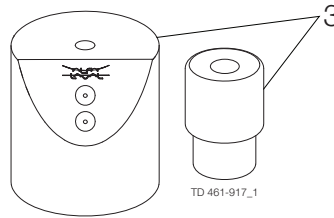
Parts marked with □ are included in the service kits (product wetted parts)

Recommended spare parts: Service kits.

TD 900-383/2



TD 461-962_1



TD 461-917_1

Mounting Tool - Unique Single Seat Valve - Manually Operated/Manual Regulating Valve

Pos	Qty	Denomination	DN 25-100 25-101.6 mm
2	1	Tool for bushing (pos. 24)	9613-1609-01

TD 900-518

Pos	Qty	Denomination	DN 25 25 mm	DN 40 38 mm	DN 50 51 mm	DN 65 63.5 mm	DN 80 76.1 mm	DN 100 101.6 mm
3	1	Mounting tool for elastomer plug seals	Not available	9613-1729-01	9613-1729-02	9613-1729-02	9613-1729-03	9613-1729-03

TD 900-520

How to contact Alfa Laval

Contact details for all countries are continually updated on our website.

Please visit www.alfalaval.com to access the information directly.

© Alfa Laval Corporate AB

This document and its contents is owned by Alfa Laval Corporate AB and protected by laws governing intellectual property and thereto related rights. It is the responsibility of the user of this document to comply with all applicable intellectual property laws. Without limiting any rights related to this document, no part of this document may be copied, reproduced or transmitted in any form or by any means (electronic, mechanical, photocopying, recording, or otherwise), or for any purpose, without the expressed permission of Alfa Laval Corporate AB. Alfa Laval Corporate AB will enforce its rights related to this document to the fullest extent of the law, including the seeking of criminal prosecution.