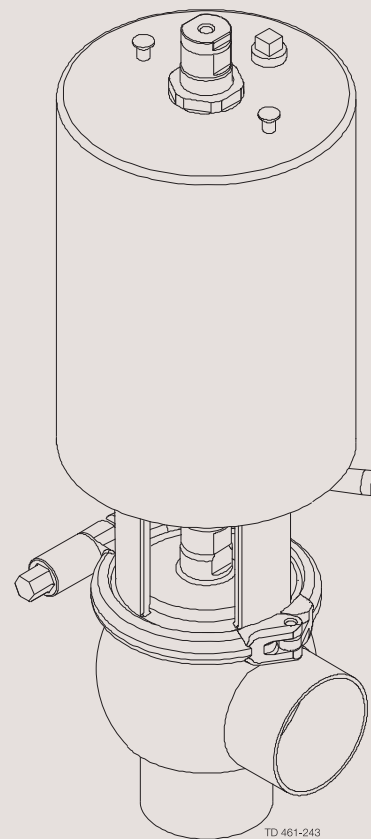
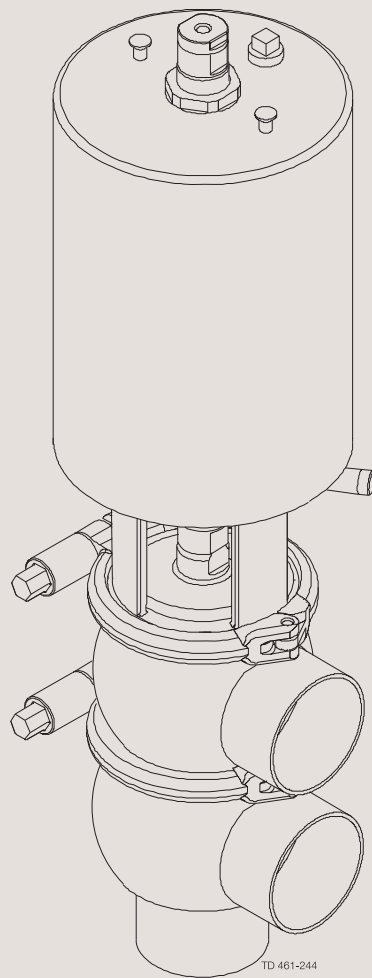




Spare Parts

Unique Single Seat Valve - Aseptic



ESE00531-EN6

2016-06

Original manual

Table of contents

The information herein is correct at the time of issue but may be subject to change without prior notice

1. Important information	4
2. Unique Single Seat Valve - Aseptic Shut off valve - 25-101.6 mm/DN25-100	6
3. Unique Single Seat Valve - Aseptic Change-over Valve - 25-101.6 mm/DN25-100	8
4. Mounting Tool - Unique Single Seat Valve - Aseptic	10

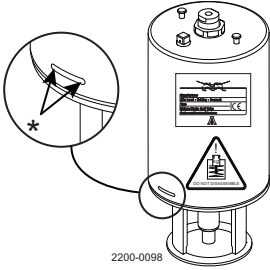
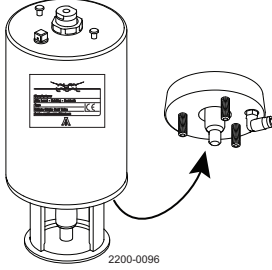

1 Important information

Different actuator types for the SSV valve

In June 2016 the below change was implemented and the "removable yoke with bolts" version is thereby phased out and replaced by the "yoke without bolts" version.

NOTE

It is important to check for warnings marked on the actuator when servicing an actuator- see below table.

<p>Actuator type</p>	<p>Non-maintable actuator Spring under load and can NOT be opened</p>  <p>*) Lock wire opening is locked, when warning is marked on actuator</p>	<p>Fully maintainable actuator Spring cage and can be opened</p> 	<p>Fully maintainable actuator Spring cage and can be opened</p> 
<p>Yoke type</p>	<p>Non-removable yoke</p>	<p>"Removable yoke with bolts". If the yoke with bolts is damaged it has to be replaced by the "yoke without bolts"</p>	<p>"Yoke without bolts"</p>
<p>Service</p>	<p>Not possible to service internally (it is not possible to change piston o-rings)</p>	<p>Yes</p>	<p>Yes</p>
<p>Marked with warnings</p>	<p>Yes</p>	<p>No</p>	<p>No</p>
<p>Year of production</p>	<p>From 2006</p>	<p>From 2006 - June 2016</p>	<p>From June 2016</p>

Unique Single Seat Valve - Aseptic Shut off valve - 25-101.6 mm/DN25-100

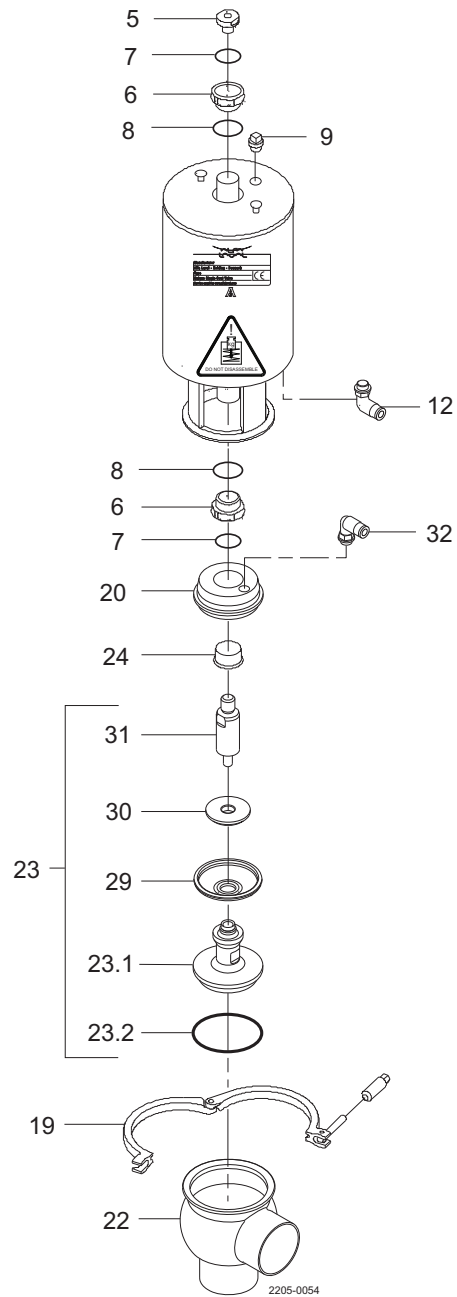
If the actuator is marked with a danger warning do **NOT** attempt to cut the actuator open.



Do **NOT** attempt to disassemble the actuator due to spring under load danger!



Do **NOT** attempt to cut the actuator open, due to spring under load danger!



Unique Single Seat Valve - Aseptic Shut off valve - 25-101.6 mm/DN25-100

Pos	Qty	Denomination	DN 25 25 mm	DN 40 38 mm	DN 50 51 mm	DN 65 63.5 mm	DN 80 76.1 mm	DN 100 101.6 mm
Actuator								
		Actuator, complete (NO)	9613154801	9613154801	9613154802	9613154803	9613154804	9613154805
		Actuator, complete (NC)	9613154806	9613154806	9613154807	9613154808	9613154809	9613154810
		Actuator, complete (A/A)	9613154811	9613154811	9613154812	9613154813	9613154814	9613154815
5	1	Adapter, plastic						
	1	Adapter, steel (Period 2009-2011)	9614065301	9614065301	9614065301	9614065301	9614065301	9614065301
6	□	2 Bushing						
7	□	2 O-ring						
8	□	2 O-ring						
9	1	Plug	9613414101	9613414101	9613414101	9613414101	9613414101	9613414101
12	1(2)	Air fitting	9611991988	9611991988	9611991988	9611991988	9611991988	9611991988
Clamp								
19	1	Clamp	9612939303	9612939303	9612939304	9612939305	9612939306	9612939307
Bonnet								
20	1	Bonnet	9613142701	9613142701	9613142801	9613142901	9613143001	9613143101
24	1	Bushing	9613125002	9613125002	9613125002	9613125002	9613125002	9613125002
Valve Body								
22	1	Valve body, 2 ports ISO	9613139501	9613139503	9613139505	9613139507	9613139509	9613139511
	1	Valve body, 3 ports ISO	9613139502	9613139504	9613139506	9613139508	9613139510	9613139512
	1	Valve body, 2 ports DIN	9613139601	9613139603	9613139605	9613139607	9613139609	9613139611
	1	Valve body, 3 ports DIN	9613139602	9613139604	9613139606	9613139608	9613139610	9613139612
Valve Plug								
23	1	Plug, shut-off, ISO, complete, EPDM (standard)	9613159901	9613159902	9613159903	9613159904	9613159905	9613159906
	1	Plug, shut-off, ISO, complete, HNBR	9613159913	9613159914	9613159915	9613159916	9613159917	9613159918
	1	Plug, shut-off, ISO, complete, FPM	9613159925	9613159926	9613159927	9613159928	9613159929	9613159930
	1	Plug, shut-off, DIN, complete, EPDM (standard)	9613159907	9613159908	9613159909	9613159910	9613159911	9613159912
	1	Plug, shut-off, DIN, complete, HNBR	9613159919	9613159920	9613159921	9613159922	9613159923	9613159924
	1	Plug, shut-off, DIN, complete, FPM	9613159931	9613159932	9613159933	9613159934	9613159935	9613159936
23.1	1	Plug, shut-off, ISO	9613143501	9613144501	9613143401	9613143402	9613143403	9613143404
	1	Plug, shut-off, DIN	9613143502	9613144502	9613143405	9613143406	9613143407	9613143408
23.2♦	1	Plug seal, EPDM (standard)						
	1	Plug seal, HNBR						
	1	Plug seal, FPM						
	1	Plug seal set (10 pcs.) EPDM	9614059401	9614059404	9614059407	9614059410	9614059413	9614059416
	1	Plug seal set (10 pcs.) HNBR	9614059402	9614059405	9614059408	9614059411	9614059414	9614059417
	1	Plug seal set (10 pcs.) FPM	9614059403	9614059406	9614059409	9614059412	9614059415	9614059418
29 ♦	1	Diaphragm						
	1	Diaphragm set (10 pcs.)	9614059437	9614059437	9614059438	9614059439	9614059440	9614059441
30	1	Disc for diaphragm	9613144001	9613144001	9613144101	9613144201	9613144301	9613144301
31	1	Upper spindle	9613144601	9613144601	9613143302	9613143302	9613143301	9613143301
32	1	Air fitting	9611994877	9611994877	9611991988	9611991988	9611991988	9611991988
			DN 25 25 mm	DN 40 38 mm	DN 50 51 mm	DN 65 63.5 mm	DN 80 76.1 mm	DN 100 101.6 mm

Service kit for actuator

□	Service kit	9611926500	9611926500	9611926500	9611926500	9611926500	9611926500	9611926500
---	-------------------	------------	------------	------------	------------	------------	------------	------------

Service kit for product wetted parts, standard

♦	Service kit, EPDM	9611926543	9611926544	9611926545	9611926546	9611926547	9611926548
♦	Service kit, HNBR	9611926549	9611926550	9611926551	9611926552	9611926553	9611926554
♦	Service kit, FPM	9611926555	9611926556	9611926557	9611926558	9611926559	9611926560

Parts marked with □♦ are included in the service kits.

Recommended spare parts: Service kits.

Unique Single Seat Valve - Aseptic Change-over Valve - 25-101.6 mm/DN25-100

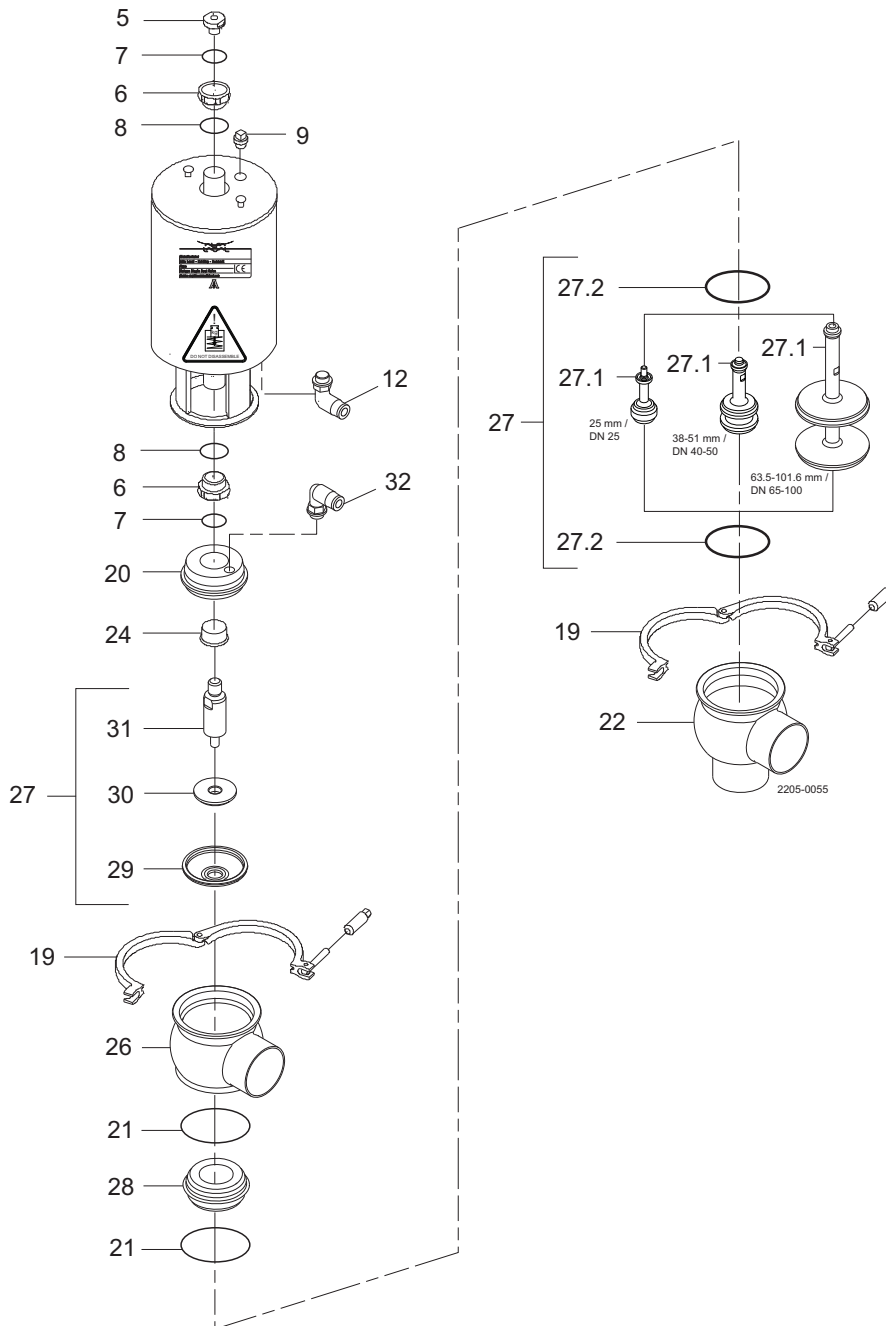
If the actuator is marked with a danger warning do **NOT** attempt to cut the actuator open.



Do **NOT** attempt to disassemble the actuator due to spring under load danger!



Do **NOT** attempt to cut the actuator open, due to spring under load danger!



Unique Single Seat Valve - Aseptic Change-over Valve - 25-101.6 mm/DN25-100

Pos	Qty	Denomination	DN 25 25 mm	DN 40 38 mm	DN 50 51 mm	DN 65 63.5 mm	DN 80 76.1 mm	DN 100 101.6 mm
Actuator								
		Actuator, complete (NO)	9613154801	9613154801	9613154802	9613154803	9613154804	9613154805
		Actuator, complete (NC)	9613154806	9613154806	9613154807	9613154808	9613154809	9613154810
		Actuator, complete (A/A)	9613154811	9613154811	9613154812	9613154813	9613154814	9613154815
5	1	Adapter, plastic						
	1	Adapter, steel (Period 2009-2011)	9614065301	9614065301	9614065301	9614065301	9614065301	9614065301
6	□ 2	Bushing						
7	□ 2	O-ring						
8	□ 2	O-ring						
9	1	Plug	9613414101	9613414101	9613414101	9613414101	9613414101	9613414101
12	1(2)	Air fitting	9611991988	9611991988	9611991988	9611991988	9611991988	9611991988
Clamp								
19	2	Clamp	9612939303	9612939303	9612939304	9612939305	9612939306	9612939307
Bonnet								
20	1	Bonnet	9613142701	9613142701	9613142801	9613142901	9613143001	9613143101
24	1	Bushing	9613125002	9613125002	9613125002	9613125002	9613125002	9613125002
Seat								
21	♦ 2	O-ring, EPDM (standard)						
	2	O-ring, NBR						
	2	O-ring, FPM						
		O-ring set (10 pcs.) EPDM	9614059422	9614059422	9614059425	9614059428	9614059431	9614059434
		O-ring set (10 pcs.) HNBR	9614059423	9614059423	9614059426	9614059429	9614059432	9614059435
		O-ring set (10 pcs.) FPM	9614059424	9614059424	9614059427	9614059430	9614059433	9614059436
28	1	Seat	9613127501	9613127502	9613127503	9613127504	9613127505	9613127506
Valve Body								
26	1	Valve body, upper, 1 port ISO	9613139301	9613139303	9613139305	9613139307	9613139309	9613139311
	1	Valve body, upper, 2 ports ISO ...	9613139302	9613139304	9613139306	9613139308	9613139310	9613139312
	1	Valve body, upper, 1 port DIN	9613139401	9613139403	9613139405	9613139407	9613139409	9613139411
	1	Valve body, upper, 2 ports DIN ...	9613139402	9613139404	9613139406	9613139408	9613139410	9613139412
22	1	Valve body, lower, 2 ports ISO ...	9613139501	9613139503	9613139505	9613139507	9613139509	9613139511
	1	Valve body, lower, 3 ports ISO ...	9613139502	9613139504	9613139506	9613139508	9613139510	9613139512
	1	Valve body, lower, 2 ports DIN ...	9613139601	9613139603	9613139605	9613139607	9613139609	9613139611
	1	Valve body, lower, 3 ports DIN ...	9613139602	9613139604	9613139606	9613139608	9613139610	9613139612
Valve Plug								
27	1	Plug, change-over, ISO complete, EPDM (standard)	9613160001	9613160002	9613160003	9613160004	9613160005	9613160006
	1	Plug, change-over, ISO complete, HNBR	9613160013	9613160014	9613160015	9613160016	9613160017	9613160018
	1	Plug, change-over, ISO complete, FPM	9613160025	9613160026	9613160027	9613160028	9613160029	9613160030
	1	Plug, change-over, DIN complete, EPDM (standard)	9613160007	9613160008	9613160009	9613160010	9613160011	9613160012
	1	Plug, change-over, DIN complete, HNBR	9613160019	9613160020	9613160021	9613160022	9613160023	9613160024
	1	Plug, change-over, DIN complete, FPM	9613160031	9613160032	9613160033	9613160034	9613160035	9613160036
27.1	1	Plug, change-over, ISO	9613143601	9613143901	9613143902	9613143903	9613143904	9613143905
	1	Plug, change-over, DIN	9613143602	9613143906	9613143907	9613143908	9613143909	9613143910
27.2♦	2	Plug seal, EPDM (standard)						
	2	Plug seal, HNBR						
	2	Plug seal, FPM						
		Plug seal set (10 pcs.) EPDM	9614059401	9614059404	9614059407	9614059410	9614059413	9614059416
		Plug seal set (10 pcs.) HNBR	9614059402	9614059405	9614059408	9614059411	9614059414	9614059417
		Plug seal set (10 pcs.) EPDM	9614059403	9614059406	9614059409	9614059412	9614059415	9614059418
29 ♦	1	Diaphragm						
		Diaphragm set (10 pcs.)	9614059437	9614059437	9614059438	9614059439	9614059440	9614059441
30	1	Disc for diaphragm	9613144001	9613144001	9613144101	9613144201	9613144301	9613144301
31	1	Upper spindle	9613144601	9613144601	9613143302	9613143302	9613143301	9613143301
32	1	Air fitting	9611994877	9611994877	9611991988	9611991988	9611991988	9611991988

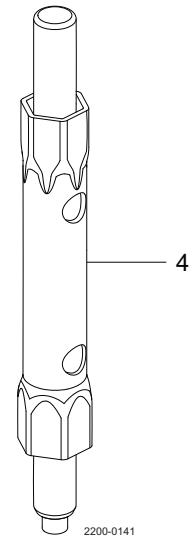
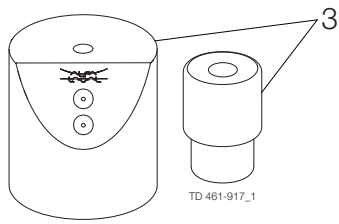
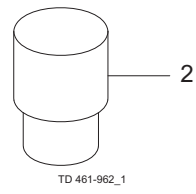
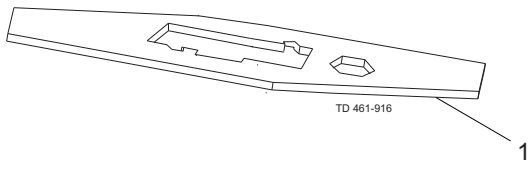
Service kit for actuator

□	Service kit	9611926500	9611926500	9611926500	9611926500	9611926500	9611926500	9611926500
---	-------------------	------------	------------	------------	------------	------------	------------	------------

Service kit for product wetted parts, standard

♦	Service kit, EPDM	9611926615	9611926616	9611926617	9611926618	9611926619	9611926620
♦	Service kit, HNBR	9611926621	9611926622	9611926623	9611926624	9611926625	9611926626
♦	Service kit, FPM	9611926627	9611926628	9611926629	9611926630	9611926631	9611926632

Parts marked with □♦ are included in the service kits. Recommended spare parts: Service kits. TD 900-354/5



Mounting Tool - Unique Single Seat Valve - Aseptic

Pos	Qty	Denomination	DN 25-65	DN 80-150
			25-63.5 mm	76.1-101.6 mm
1	1	Service tool only for Maintainable actuator	3135302191	9612454001

TD 900-512

Pos	Qty	Denomination	DN 25-100
			25-101.6 mm
2	1	Tool for bushing (pos. 24)	9613160901

TD 900-518

Pos	Qty	Denomination	DN 25	DN 40	DN 50	DN 65	DN 80	DN 100
			25 mm	38 mm	51 mm	63.5 mm	76.1 mm	101.6 mm
3	1	Mounting tool for elastomer plug seals	9614060001	9614060002	9614060003	9614060003	9614060004	9614060004

TD 900-702

Pos	Qty	Denomination	DN 25-100
			25-101.6 mm
4	1	Tool for actuator bushing (pos. 6)	9614198401

TD 900-701

How to contact Alfa Laval

Contact details for all countries are continually updated on our website.

Please visit www.alfalaval.com to access the information directly.

© Alfa Laval Corporate AB

This document and its contents is owned by Alfa Laval Corporate AB and protected by laws governing intellectual property and thereto related rights. It is the responsibility of the user of this document to comply with all applicable intellectual property laws. Without limiting any rights related to this document, no part of this document may be copied, reproduced or transmitted in any form or by any means (electronic, mechanical, photocopying, recording, or otherwise), or for any purpose, without the expressed permission of Alfa Laval Corporate AB. Alfa Laval Corporate AB will enforce its rights related to this document to the fullest extent of the law, including the seeking of criminal prosecution.