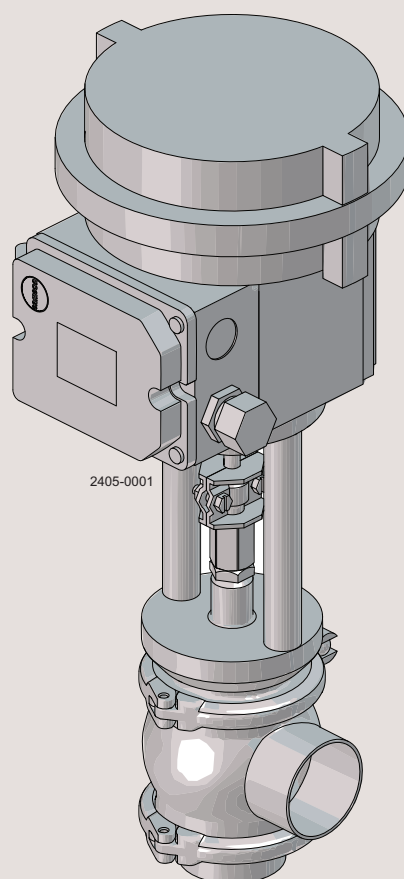




## Spare Parts

### Unique RV-P, pneumatic regulating valve



ESE02802-EN6

2022-02

Original manual

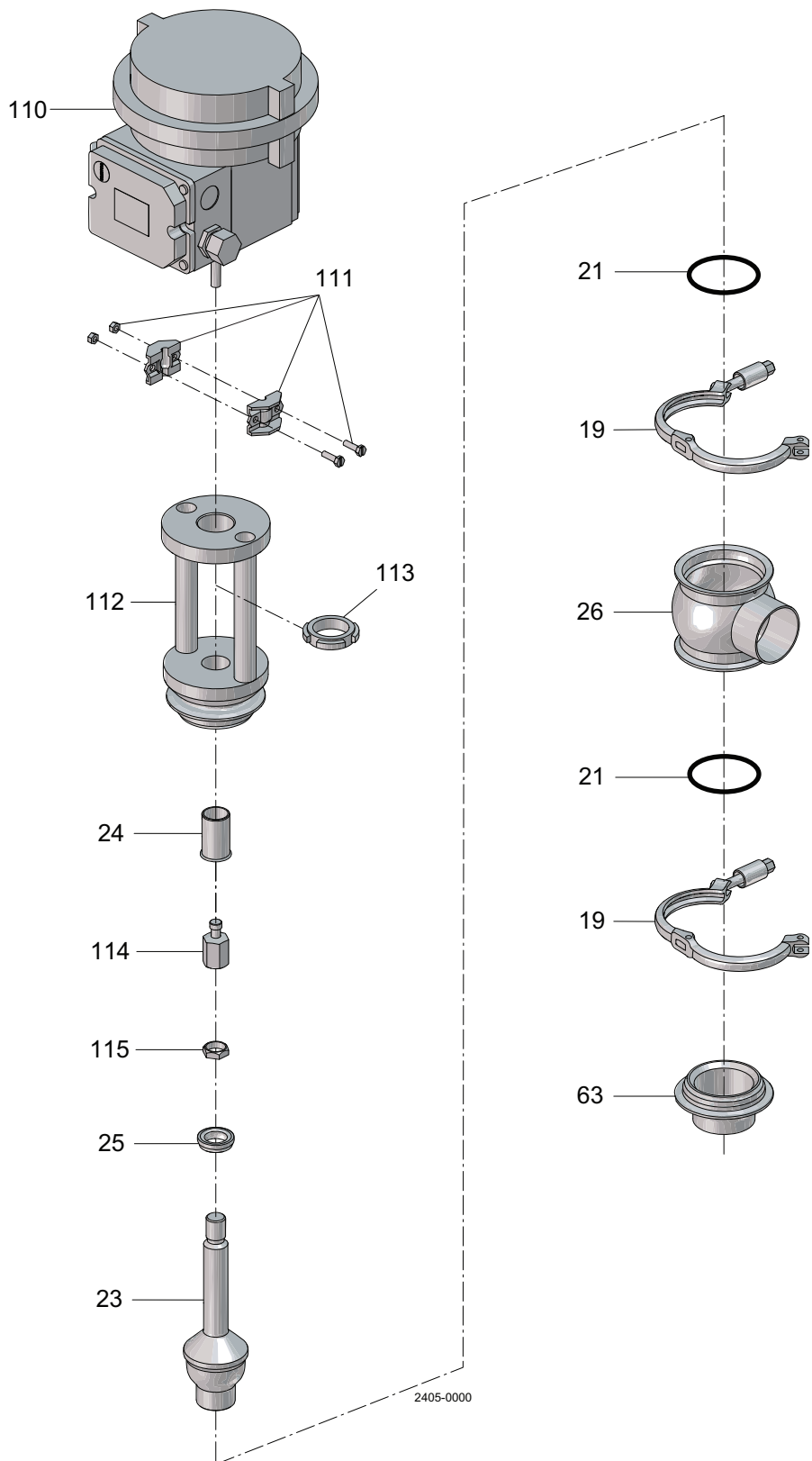


## Table of contents

---

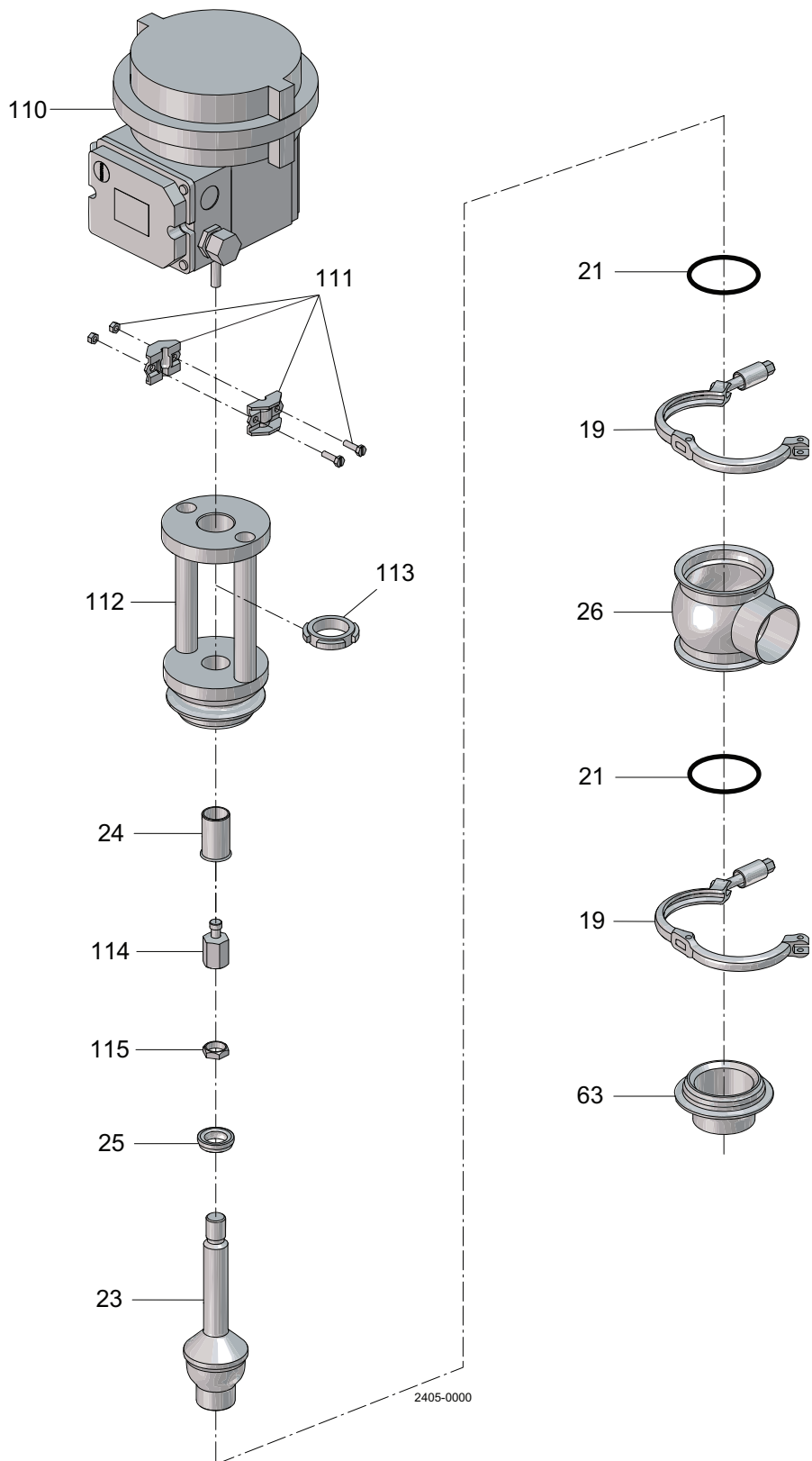
*The information herein is correct at the time of issue but may be subject to change without prior notice*

1. Unique RV-P .....	4
2. Unique RV-P, aseptic .....	8



Unique RV-P

Pos	Qty	Denomination	38mm DN40	51mm DN50	63.5mm DN65	76.1mm DN80	101.6mm DN100
110	1	Actuator, complete, NO pos. Type 3725 (incl. pos 111, 113 and 114)	9615219901	9615219901	9615219901	9615219901	9615219901
	1	Actuator, complete, NC pos. Type 3725 (incl. pos 111, 113 and 114)	9615219902	9615219902	9615219902	9615219902	9615219903
	1	Actuator, complete, NO pos. Type 3730					
	1	Profibus (incl. pos 111, 113 and 114)	9615219904	9615219904	9615219904	9615219904	9615219904
	1	Actuator, complete, NC pos. Type 3730					
	1	Profibus (incl. pos. 111, 113 and 114)	9615219905	9615219905	9615219905	9615219905	9615219906
111	1	Clamp fitting	9612534201	9612534201	9612534201	9612534201	
	1	Clamp fitting, NO					9612534201
	1	Clamp fitting, NC					9612534202
112	1	Bonnet, complete, (incl. Pos 24)	9613170701	9613170702	9613170703	9613170704	9613170705
113	1	Striking nut	9612533901	9612533901	9612533901	9612533901	9612533901
24	1	Bushing	9613172101	9613172101	9613172102	9613172102	9613172102
114	1	Valve plug adjuster	9615333801	9615333801	9615333801	9615333801	
	1	Valve plug adjuster, NO					9615333801
	1	Valve plug adjuster, NC					9615333901
115	1	Nut	9613172001	9613172001	9613172001	9613172001	9613172001
25 *	1	Lip seal, EPDM (standard)					
*	1	Lip seal, HNBR					
*	1	Lip seal, FPM					
	1	Lip seal set (10 pcs.) EPDM	9614059419	9614059419	9614059419	9614059419	9614059419
	1	Lip seal set (10 pcs.) HNBR	9614059420	9614059420	9614059420	9614059420	9614059420
	1	Lip seal set (10 pcs.) FPM	9614059421	9614059421	9614059421	9614059421	9614059421
23	1	Plug, Kv 0.5 ISO	9613169801				
	1	Plug, Kv 0.5 DIN	9613169802				
	1	Plug, Kv 1 ISO	9613169901				
	1	Plug, Kv 1 DIN	9613169902				
	1	Plug, Kv 2 ISO	9613170001				
	1	Plug, Kv 2 DIN	9613170002				
	1	Plug, Kv 4 ISO	9613170101				
	1	Plug, Kv 4 DIN	9613170102				
	1	Plug, Kv 8 ISO	9613170201				
	1	Plug, Kv 8 DIN	9613170202				
	1	Plug, Kv 16 ISO	9613170301				
	1	Plug, Kv 16 DIN	9613170302				
	1	Plug, Kv 25 ISO		9615338701			
	1	Plug, Kv 25 DIN		9615338702			
	1	Plug, Kv 32 ISO		9613170401			
	1	Plug, Kv 32 DIN		9613170402			
	1	Plug, Kv 40 ISO			9615338601		
	1	Plug, Kv 40 DIN			9615338602		
	1	Plug, Kv 64 ISO			9613170501		
	1	Plug, Kv 64 DIN			9613170503		
	1	Plug, Kv 75 ISO				9613170502	
	1	Plug, Kv 75 DIN				9613170504	
	1	Plug, Kv 110 ISO					9613170601
	1	Plug, Kv 110 DIN					9613170602
21 *	2	O-ring, EPDM (standard)					
*	2	O-ring, HNBR					
*	2	O-ring, FPM					
	1	O-ring set (10 pcs.) EPDM	9614059422	9614059425	9614059428	9614059431	9614059434
	1	O-ring set (10 pcs.) HNBR	9614059423	9614059426	9614059429	9614059432	9614059435
	1	O-ring set (10 pcs.) FPM	9614059424	9614059427	9614059430	9614059433	9614059436
19	2	Clamp	9612939303	9612939304	9612939305	9612939306	9612939307
26	1	Valve body, upper, 1 port, ISO	9613139303	9613139305	9613139307	9613139309	9613139311
	1	Valve body, upper, 2 ports, ISO	9613139304	9613139306	9613139308	9613139310	9613139312
	1	Valve body, upper, 1 port, DIN	9613139403	9613139405	9613139407	9613139409	9613139411
	1	Valve body, upper, 2 ports, DIN	9613139404	9613139406	9613139408	9613139410	9613139412



# Unique RV-P

Pos	Qty	Denomination	38mm DN40	51mm DN50	63.5mm DN65	76.1mm DN80	101.6mm DN100
63	1	Seat, Kv 0.5 ISO .....	9613171301				
	1	Seat, Kv 0.5 DIN .....	9613171401				
	1	Seat, Kv 1 ISO .....	9613171302				
	1	Seat, Kv 1 DIN .....	9613171402				
	1	Seat, Kv 2 ISO .....	9613171303				
	1	Seat, Kv 2 DIN .....	9613171403				
	1	Seat, Kv 4 ISO .....	9613171304				
	1	Seat, Kv 4 DIN .....	9613171404				
	1	Seat, Kv 8 ISO .....	9613171305				
	1	Seat, Kv 8 DIN .....	9613171405				
	1	Seat, Kv 16 ISO .....	9613171306				
	1	Seat, Kv 16 DIN .....	9613171406				
	1	Seat, Kv 32 ISO .....		9613171501			
	1	Seat, Kv 32 DIN .....		9613171502			
	1	Seat, Kv 64 ISO .....			9613171601		
	1	Seat, Kv 64 DIN .....			9613171602		
	1	Seat, Kv 75 ISO .....				9613171701	
	1	Seat, Kv 75 DIN .....				9613171702	
	1	Seat, Kv 110 ISO .....					9613171801
	1	Seat, Kv 110 DIN .....					9613171802

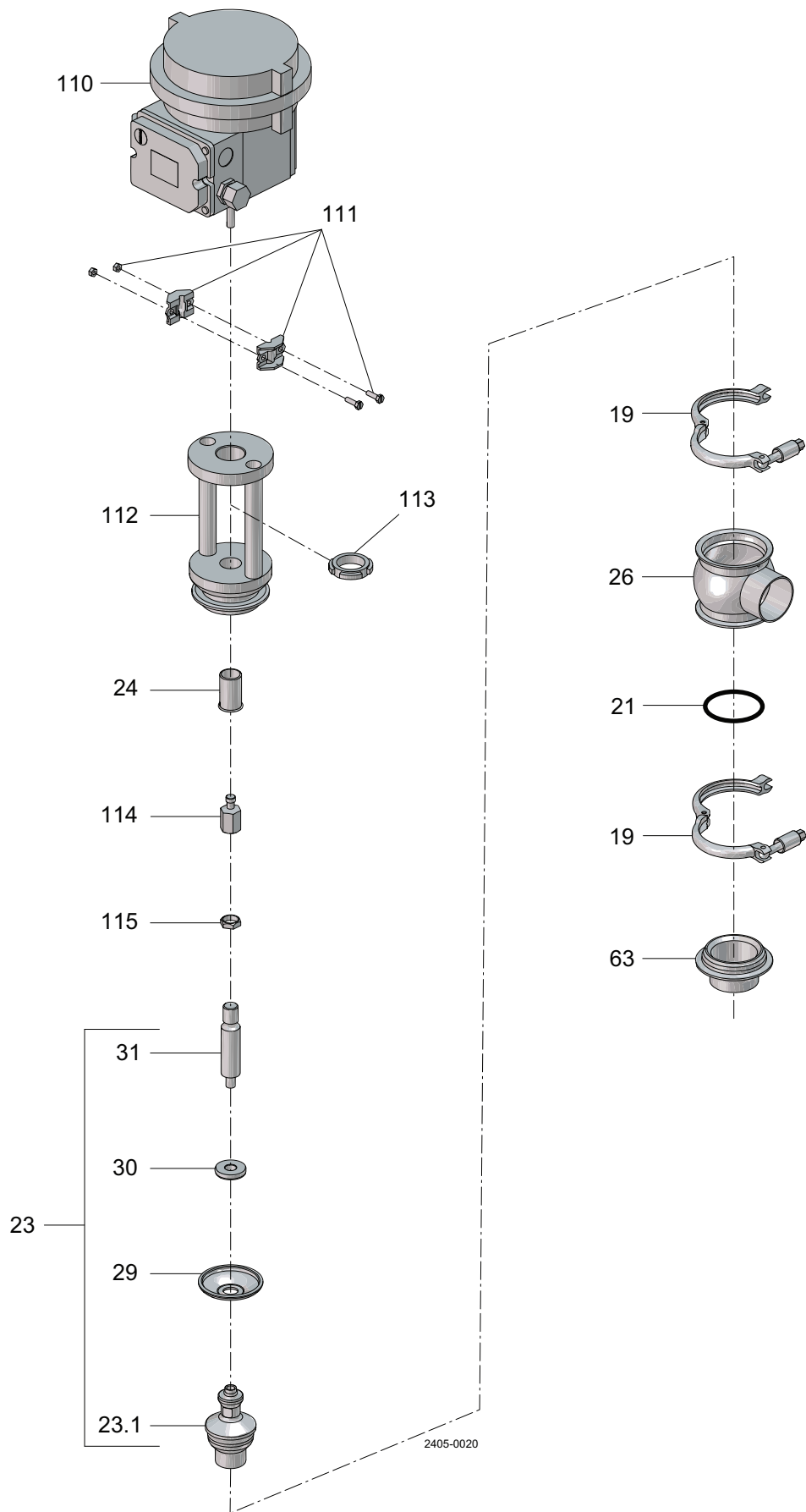
## Service Kit

		38 mm DN40	51 mm DN50	63.5 mm DN65	76.1 mm DN80	101.6 mm DN100
*	Service kit, EPDM .....	9611926975	9611926976	9611926977	9611926978	9611926979
*	Service kit, HNBR .....	9611926980	9611926981	9611926982	9611926983	9611926984
*	Service kit, FPM .....	9611926985	9611926986	9611926987	9611926988	9611926989

Parts marked with \* are included in the service kits.

Recommended spare parts: Service kits.

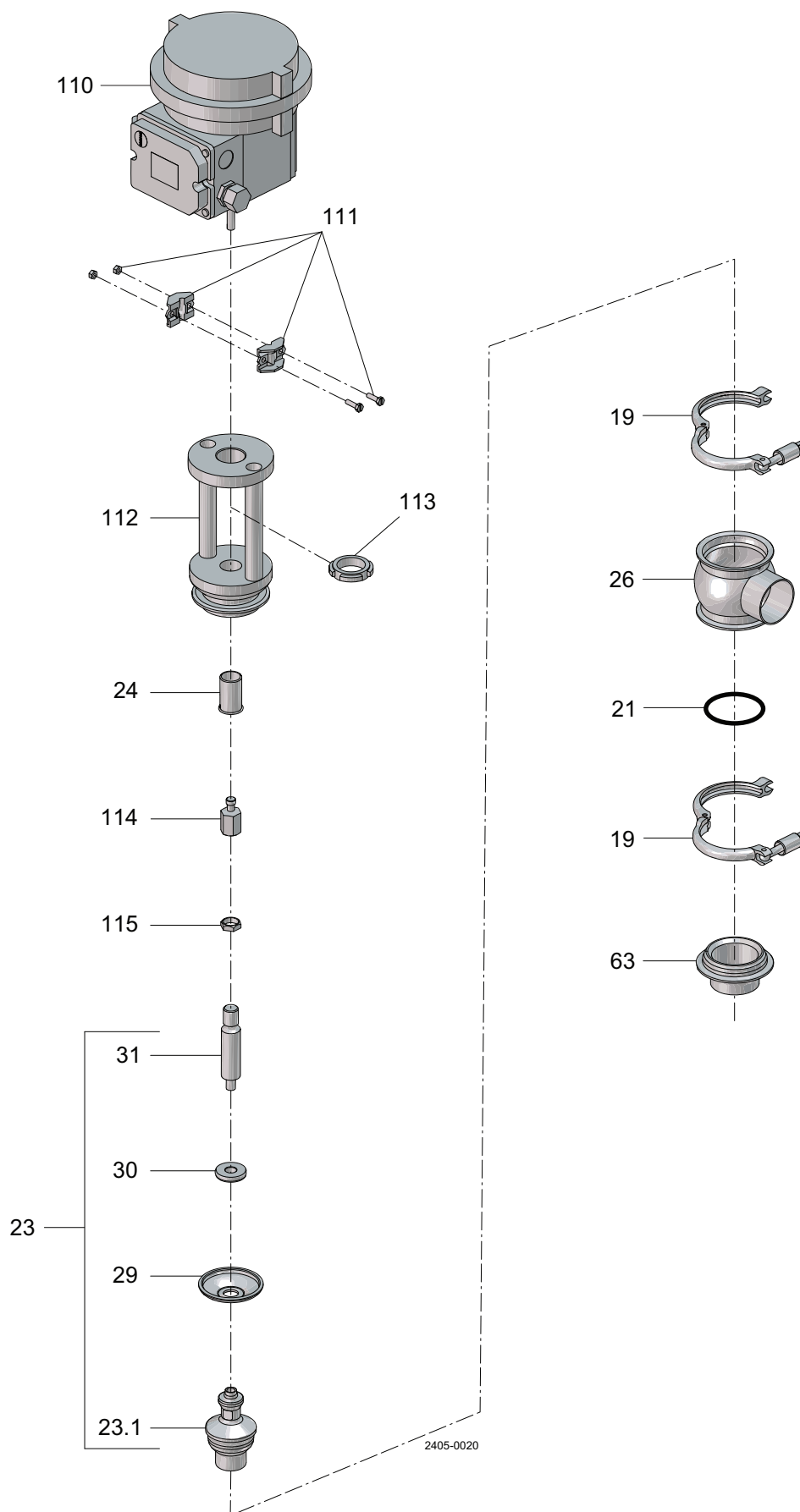
900679/2





Unique RV-P, aseptic

Pos	Qty	Denomination	38 mm DN40	51 mm DN50	63.5 mm DN65	76.1 DN80	101.6 mm DN100
110	1	Actuator, complete, NO pos. Type 3725 (incl. Pos 111, 113 and 114)	9615219901	9615219901	9615219901	9615219901	9615219901
	1	Actuator, complete, NC pos. Type 3725 (incl. Pos 111, 113 and 114)	9615219902	9615219902	9615219902	9615219902	9615219903
	1	Actuator, complete, NO pos. Type 3730 ProfiBus (incl. Pos 111, 113 and 114)	9615219904	9615219904	9615219904	9615219904	9615219904
	1	Actuator, complete, NC pos. Type 3730 ProfiBus (incl. pos. 111, 113 and 114)	9615219905	9615219905	9615219905	9615219905	9615219906
111	1	Clamp fitting	9612534201	9612534201	9612534201	9612534201	
	1	Clamp fitting, NO					9612534201
	1	Clamp fitting, NC					9612534202
112	1	Bonnet, complete, (incl. Pos 24)	9615219501	9615219502	9615219503	9615219504	9615219505
113	1	Striking nut	9612533901	9612533901	9612533901	9612533901	9612533901
114	1	Valve plug adjuster	9615333801	9615333801	9615333801	9615333801	
	1	Valve plug adjuster, NO					9615333801
	1	Valve plug adjuster, NC					9615333901
115	1	Nut	9613172001	9613172001	9613172001	9613172001	9613172001
23	1	Plug, complete, Kv 0.5 ISO	9615210001				
	1	Plug, complete, Kv 0.5 DIN	9615210002				
	1	Plug, complete, Kv 1 ISO	9615210003				
	1	Plug, complete, Kv 1 DIN	9615210004				
	1	Plug, complete, Kv 2 ISO	9615210005				
	1	Plug, complete, Kv 2 DIN	9615210006				
	1	Plug, complete, Kv 4 ISO	9615210007				
	1	Plug, complete, Kv 4 DIN	9615210008				
	1	Plug, complete, Kv 8 ISO	9615210009				
	1	Plug, complete, Kv 8 DIN	9615210010				
	1	Plug, complete, Kv 16 ISO	9615210011				
	1	Plug, complete, Kv 16 DIN	9615210012				
	1	Plug, complete, Kv 32 ISO		9615210013			
	1	Plug, complete, Kv 32 DIN		9615210014			
	1	Plug, complete, Kv 64 ISO			9615210015		
	1	Plug, complete, Kv 64 DIN			9615210016		
	1	Plug, complete, Kv 75 ISO				9615210017	
	1	Plug, complete, Kv 75 DIN				9615210018	
	1	Plug, complete, Kv 110 ISO					9615210019
	1	Plug, complete, Kv 110 DIN					9615210020
23.1	1	Plug, Kv 0.5, ISO	9615209701				
	1	Plug, Kv 0.5, DIN	9615209702				
	1	Plug, Kv 1, ISO	9615218001				
	1	Plug, Kv 1, DIN	9615218002				
	1	Plug, Kv 2, ISO	9615218101				
	1	Plug, Kv 2 DIN	9615218102				
	1	Plug, Kv 4, ISO	9615218201				
	1	Plug, Kv 4, DIN	9615218202				
	1	Plug, Kv 8, ISO	9615218301				
	1	Plug, Kv 8, DIN	9615218302				
	1	Plug, Kv 16, ISO	9615218401				
	1	Plug, Kv 16, DIN	9615218402				
	1	Plug, Kv 32, ISO		9615218501			
	1	Plug, Kv 32, DIN		9615218501			
	1	Plug, Kv 64, ISO			9615218601		
	1	Plug, Kv 64, DIN			9615218602		
	1	Plug, Kv 75, ISO				9615218701	
	1	Plug, Kv 75 DIN				9615218702	
	1	Plug, Kv 110 ISO					9615218801
	1	Plug, Kv 110 DIN					9615218802
31	1	Upper Spindel	9615217801	9615209902	9615209903	9615209903	9615209903
30	1	Disc	9613144001	9613144101	9613144201	9613144301	9613144301
29 *	1	Diaphragm					
	1	Diaphragm set (10 pcs.)	9614059437	9614059438	9614059439	9614059440	9614059441
21 *	1	O-ring, EPDM (standard)					
*	1	O-ring, HNBR					
*	1	O-ring, FPM					
	1	O-ring set (10 pcs.), EPDM	9614059422	9614059425	9614059428	9614059431	9614059434
	1	O-ring set (10 pcs.), HNBR	9614059423	9614059426	9614059429	9614059432	9614059435
	1	O-ring set (10 pcs.), FPM	9614059424	9614059427	9614059430	9614059433	9614059436
19	2	Clamp	9612939303	9612939304	9612939305	9612939306	9612939307
26	1	Valve body, upper, 1 port, ISO	9613139303	9613139305	9613139307	9613139309	9613139311
	1	Valve body, upper, 2 ports, ISO	9613139304	9613139306	9613139308	9613139310	9613139312
	1	Valve body, upper, 1 port, DIN	9613139403	9613139405	9613139407	9613139409	9613139411
	1	Valve body, upper, 2 ports, DIN	9613139404	9613139406	9613139408	9613139410	9613139412



Unique RV-P, aseptic

Pos	Qty	Denomination	38 mm DN40	51 mm DN50	63.5 mm DN65	76.1 mm DN80	101.6 mm DN100
63	1	Seat, Kv 0.5 ISO .....	9613171301				
	1	Seat, Kv 0.5 DIN .....	9613171401				
	1	Seat, Kv 1 ISO .....	9613171302				
	1	Seat, Kv 1 DIN .....	9613171402				
	1	Seat, Kv 2 ISO .....	9613171303				
	1	Seat, Kv 2 DIN .....	9613171403				
	1	Seat, Kv 4 ISO .....	9613171304				
	1	Seat, Kv 4 DIN .....	9613171404				
	1	Seat, Kv 8 ISO .....	9613171305				
	1	Seat, Kv 8 DIN .....	9613171405				
	1	Seat, Kv 16 ISO .....	9613171306				
	1	Seat, Kv 16 DIN .....	9613171406				
	1	Seat, Kv 32 ISO .....		9613171501			
	1	Seat, Kv 32 DIN .....		9613171502			
	1	Seat, Kv 64 ISO .....			9613171601		
	1	Seat, Kv 64 DIN .....			9613171602		
	1	Seat, Kv 75 ISO .....				9613171701	
	1	Seat, Kv 75 DIN .....				9613171702	
	1	Seat, Kv 110 ISO .....					9613171801
	1	Seat, Kv 110 DIN .....					9613171802

Service Kit

		38 mm DN40	51 mm DN50	63.5 mm DN65	76.1 mm DN80	101.6 mm DN100
*	Service Kit, EPDM .....	9611929001	9611929004	9611929007	9611929010	9611929013
*	Service Kit, HNBR .....	9611929002	9611929005	9611929008	9611929011	9611929014
*	Service Kit, FPM .....	9611929003	9611929006	9611929009	9611929012	9611929015

Parts marked with \* are included in the service kits.

Recommended spare parts: Service kits.

900679/2

**How to contact Alfa Laval**

Contact details for all countries are continually updated on our website.

Please visit [www.alfalaval.com](http://www.alfalaval.com) to access the information directly.

© Alfa Laval Corporate AB

This document and its contents is owned by Alfa Laval Corporate AB and protected by laws governing intellectual property and thereto related rights. It is the responsibility of the user of this document to comply with all applicable intellectual property laws. Without limiting any rights related to this document, no part of this document may be copied, reproduced or transmitted in any form or by any means (electronic, mechanical, photocopying, recording, or otherwise), or for any purpose, without the expressed permission of Alfa Laval Corporate AB. Alfa Laval Corporate AB will enforce its rights related to this document to the fullest extent of the law, including the seeking of criminal prosecution.