



Spare Parts

Unique Mixproof Tank Outlet Valve

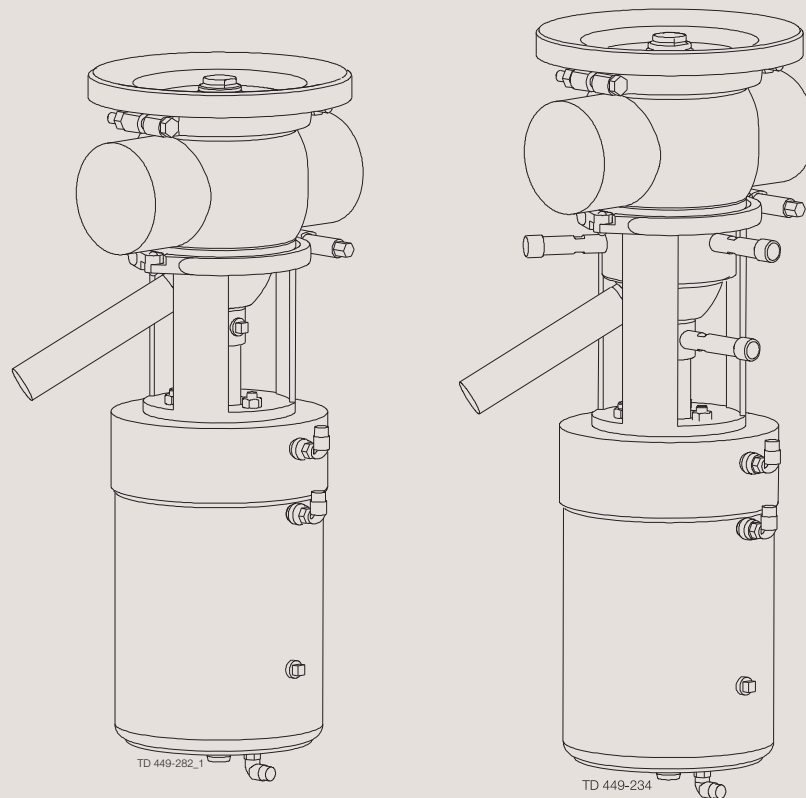


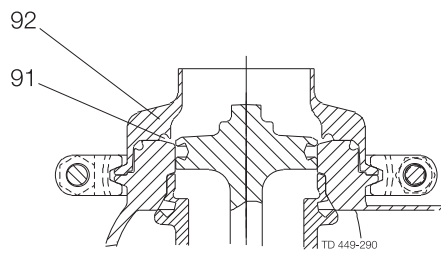
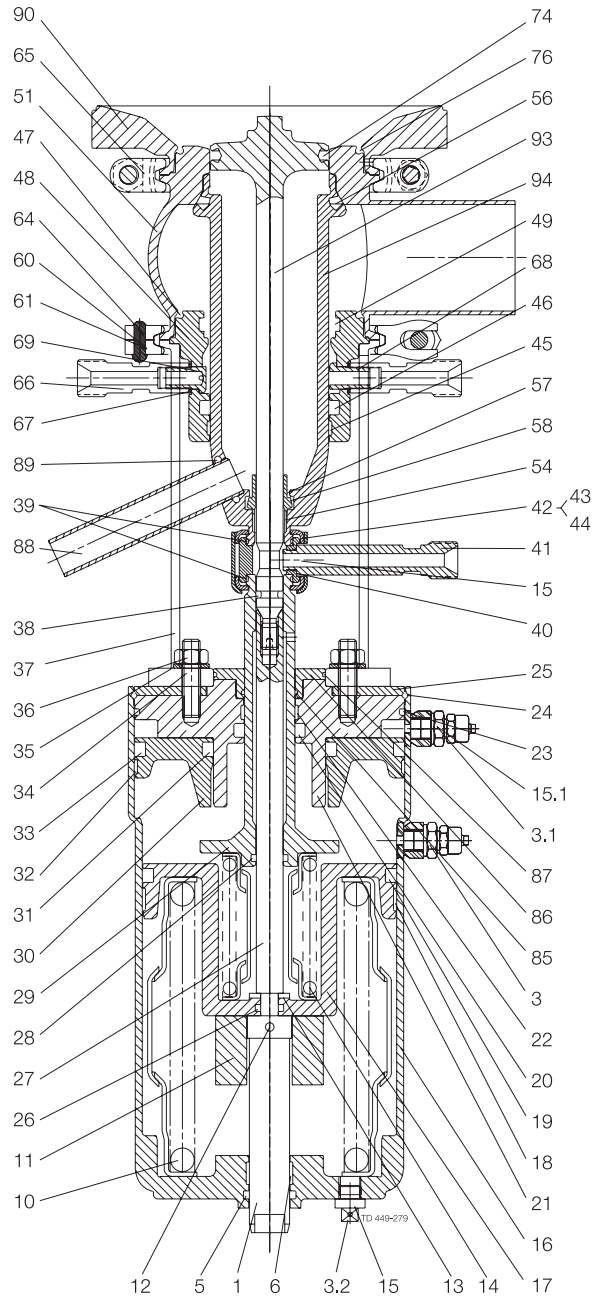
Table of contents

The information herein is correct at the time of issue but may be subject to change without prior notice

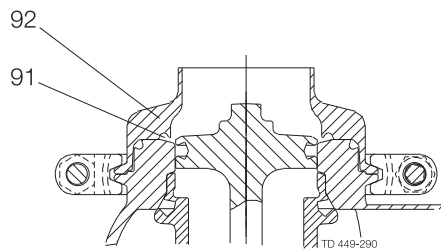
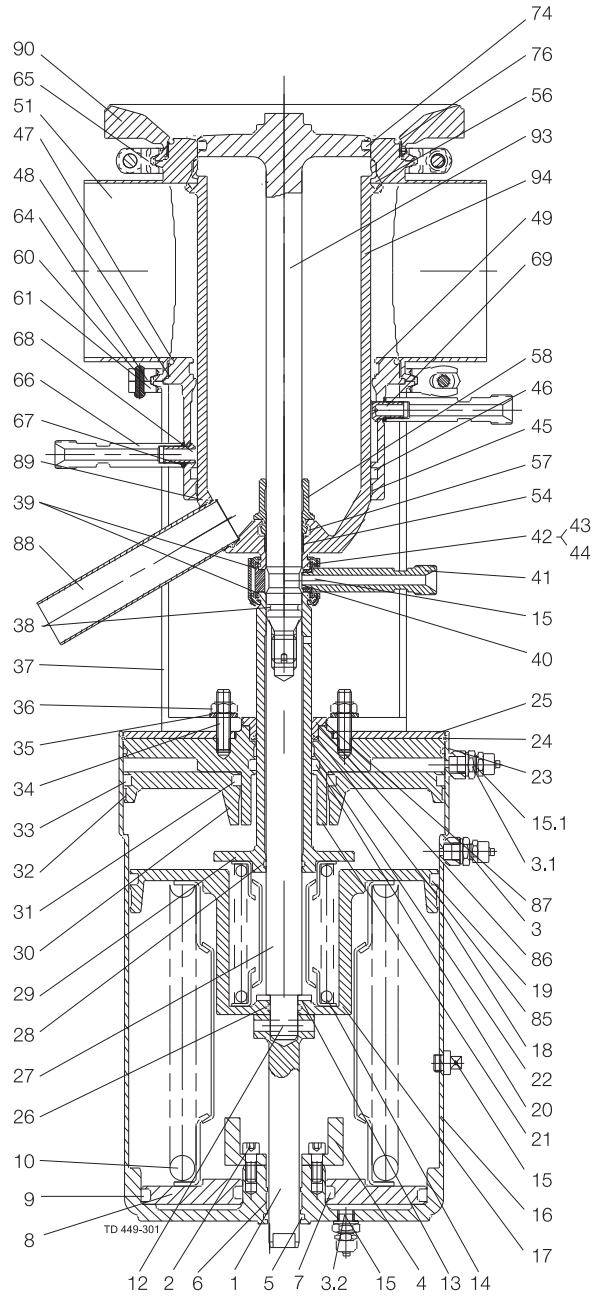
1. Sectional drawings	4
2. Actuator	6
3. Plug setup 6 (tank flange)	8
4. Plug setup 12 (tank flange)	12
5. Plug setup 6 (stub flange)	16
6. Plug setup 12 (stub flange)	20
7. Valve body	24
8. Installation kit B	26
9. Installation kit C	28
10. Installation kit G	30
11. Installation kits H and H2	32
12. Axial installation tool	34
13. Radial installation tool	36
14. Mounting tool for lip seal	38

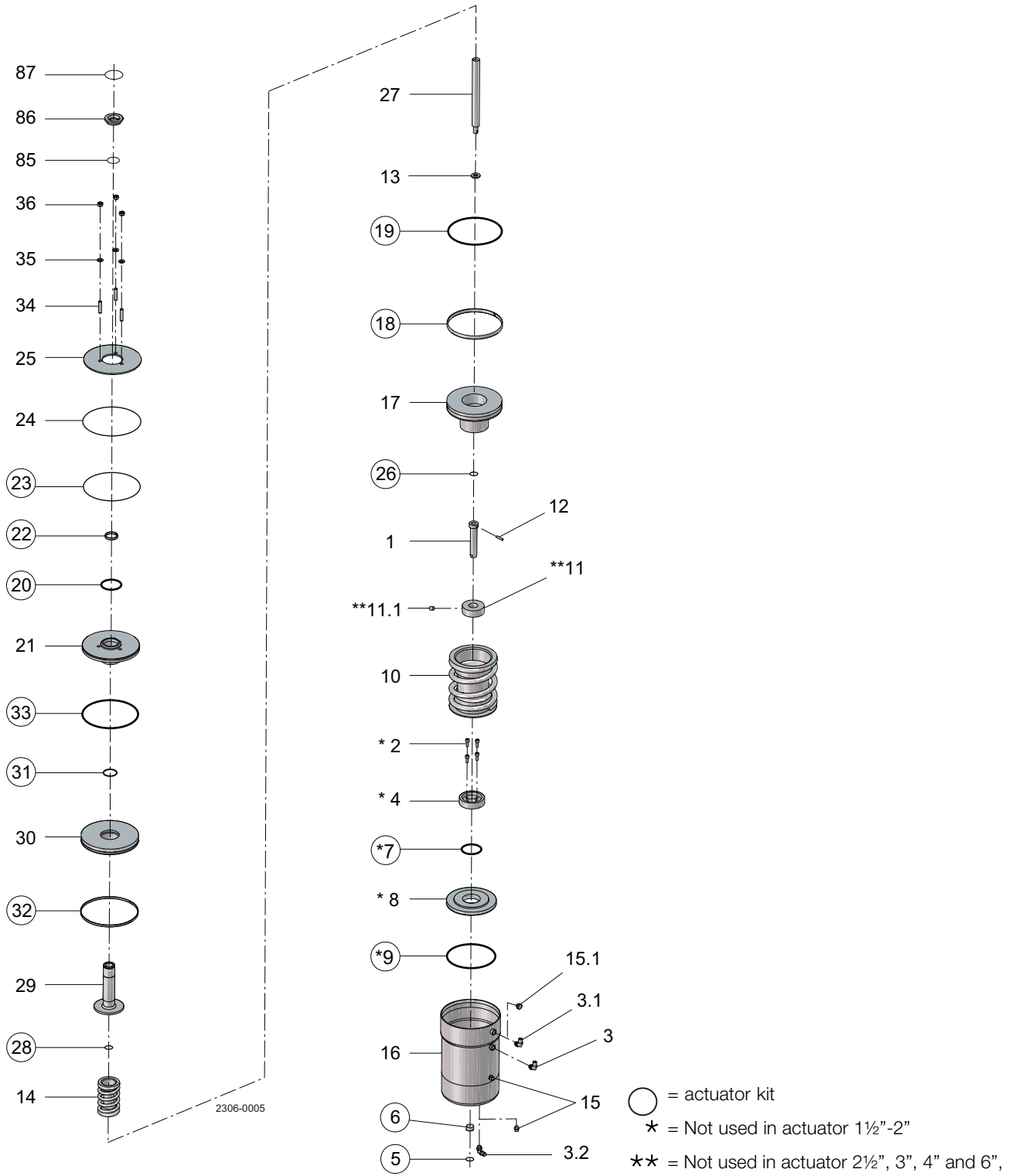
1 Sectional drawings

ø120



ø157/ø186



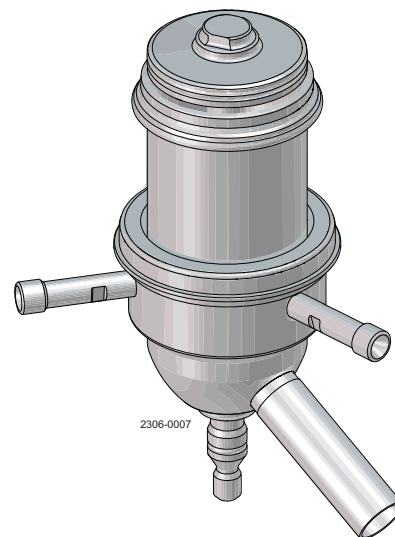
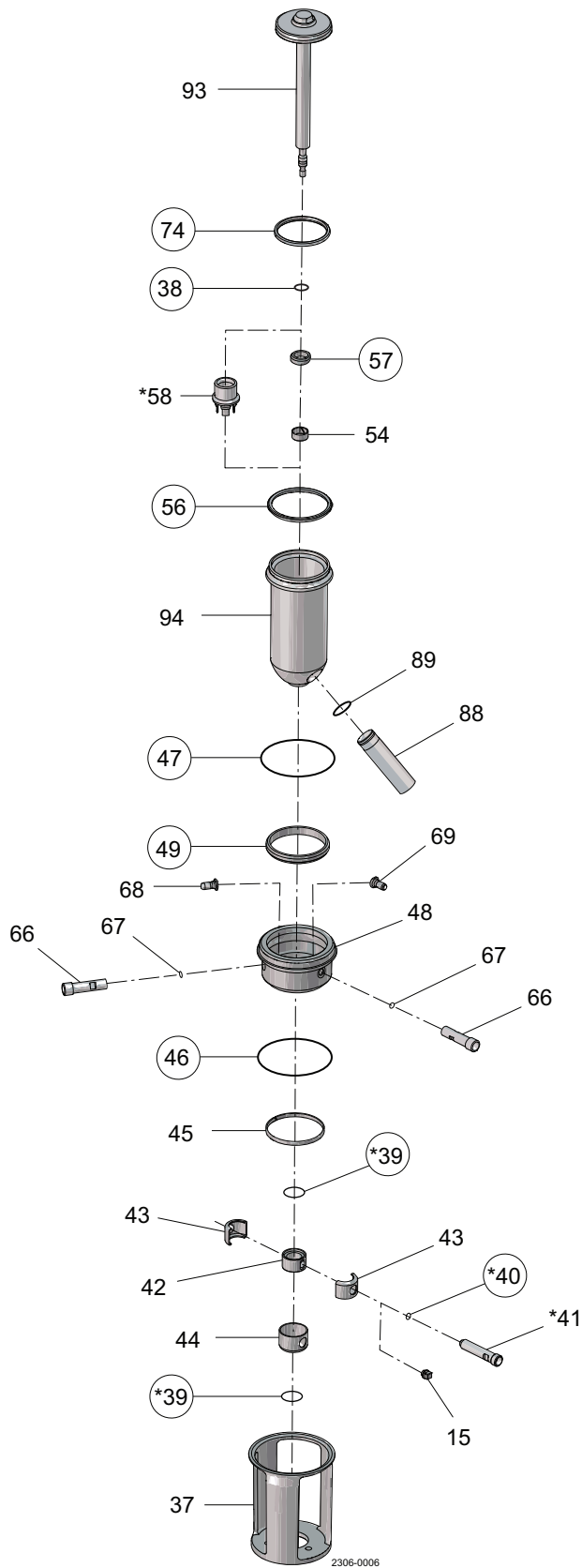


Actuator

Pos	Qty	Denomination	LongStroke					
			DN/OD 51 DN 50	DN/OD 63.5 DN 65	DN/OD 76.1 DN 80	DN/OD 101.6 DN 100	DN 125 DN 150	
1	1	Upper stem	9613010102	9613007401	9613007402	9613007402	9613007402	9613007402
2	4	Screw		9611993342	9611993342	9611993342	9611993342	9611993342
3	1	Air fitting	9611991988	9611991988	9611991988	9611991988	9611991988	9611991988
3.1	1	Air fitting	9611991988	9611991988	9611991988	9611991988	9611991988	9611991988
3.2	1	Air fitting	9611991988	9611991988	9611991988	9611991988	9611991988	9611991988
4	1	Stop for upper piston		9613005301	9613005302	9613005302	9613005302	9613005302
5	□	O-ring, NBR	9611993499	9611993499	9611993499	9611993499	9611993499	9611993499
6	□	Guide ring, Turcite	9613008408	9613008408	9613008408	9613008408	9613008408	9613008408
7	□	O-ring, NBR	9611993514	9611993514	9611993514	9611993514	9611993514	9611993514
8	1	Upper piston		9613005601	9613005602	9613005602	9613005602	9613005602
9	□	O-ring, NBR		9611993512	9611993513	9611993513	9611993513	9611993513
10	1	Spring assembly	9613012501	9613007502	9613025604	9613025604	9613025604	9613025604
11	1	Distance spacer	9613010202					
11.1	1	Screw	9611991763					
12	1	Pin	9611994197	9611994198	9611994199	9611994199	9611994199	9611994199
13	1	Washer	9611993594	9611993595	9611993596	9611993596	9611993596	9611993596
14	1	Spring assembly	9613013101	9613009502	9613009502	9613009502	9613009502	9613009502
15	1	Plug	9613414101	9613414101	9613414101	9613414101	9613414101	9613414101
15.1	1	Plug	9611993709	9611993709	9611993709	9611993709	9611993709	9611993709
17	1	Main piston	9613013201	9613005701	9613015901	9613015901	9613015901	9613015901
18	□	Guide ring, Turcite	9613008409	9613008410	9613008411	9613008411	9613008411	9613008411
19	□	O-ring, NBR	9611993505	9611993507	9611993509	9611993509	9611993509	9611993509
20	□	O-ring, NBR	9611993503	9611993607	9611993607	9611993607	9611993607	9611993607
21	1	Bottom	9613014001	9613005401	9613016801	9613016801	9613016801	9613016801
22	□	Guide ring, Turcite	9613008403	9613008404	9613008404	9613008404	9613008404	9613008404
23	□	O-ring, NBR	9611992228	9611991489	22340675	22340675	22340675	22340675
24	1	Retaining ring	9613024802	9613024803	9613024804	9613024804	9613024804	9613024804
25	1	Cover disk	9613005802	9613005803	9613005804	9613005804	9613005804	9613005804
26	1	O-ring, NBR	9611993528	9611993495	9611993530	9611993530	9611993530	9611993530
27	1	Inner stem	9613010602	9613007301	9613007302	9613007302	9613007302	9613007302
28	□	O-ring	9611993495	9611990030	9611990030	9611990030	9611990030	9611990030
29	1	Piston rod	9613013401	9613006001	9613006002	9613006002	9613006002	9613006002
30	1	Lower piston	9613013801	9613005501	9613016601	9613016601	9613016601	9613016601
31	□	O-ring, NBR	42153	42153	42153	42153	42153	42153
32	□	Guide ring, Turcite	9613008405	9613008406	9613008407	9613008407	9613008407	9613008407
33	□	O-ring, NBR	22341275	9611993508	9611993510	9611993510	9611993510	9611993510
34	3	Bolt	9611993618	9611993618	9611993618	9611993618	9611993618	9611993618
35	3	Washer	9611993594	9611993594	9611993594	9611993594	9611993594	9611993594
36	3	Nut	9611990360	9611990360	9611990360	9611990360	9611990360	9611990360
85	1	O-ring, NBR	9611994680	9611990092	9611990092	9611990092	9611990092	9611990092
86	1	Prop	9613099001	9613099002	9613099002	9613099002	9613099002	9613099002
87	1	O-ring, NBR	9611994599	9611994599	9611994599	9611994599	9611994599	9611994599
				DN/OD 63.5 DN 65	LongStroke DN/OD 63.5 DN 65			
			DN/OD 51 DN 50	DN/OD 76.1 DN 80	DN/OD 76.1 DN 80	DN/OD 101.6 DN 100	DN 125 DN 150	
□		Service kits, actuator	9611926414	9611926415	9611926416	9611926416	9611926416	9611926416

Parts marked with □ are included in the service kits.

Plug setup 6 (tank flange)



○ = wear parts

* = with SpiralClean in leakage chamber

Plug setup 6 (tank flange)

Pos	Qty	Denomination	LongStroke				
			DN/OD 51 DN50 Seat ø53.3	DN/OD 63.5 DN/OD 76.1 DN65/DN80 Seat ø81.3	DN/OD 76.1 DN65/DN80 Seat ø81.3	DN/OD 101.6 DN 100 Seat ø100.3	DN 125 Seat ø115.3
Spindle liner							
15	1	Plug	9613414101	9613414101	9613414101	9613414101	9613414101
42	1	Spindle liner	9613011601	9613009001	9613009001	9613009001	9613009001
43	2	Clamp	9613011801	9613009201	9613009201	9613009201	9613009201
44	1	Lock	9613011701	9613009101	9613009101	9613009101	9613009101
Extra parts if SpiralClean in vent cavity							
39	2	O-ring, EPDM	9611993492	9611993493	9611993493	9611993493	9611993493
40	1	O-ring, EPDM	9611993119	9611993119	9611993119	9611993119	9611993119
41	1	Flushing tube	3135710172	3135710172	3135710172	3135710172	3135710172
58	1	Spray nozzle, PVDF	9613098801	9613098901	9613098901	9613098901	9613098901
Sealing element							
45	1	Guide ring	9613008413	9613008414	9613008414	9613008420	9613008415
46	•	O-ring, EPDM	9611993650	9611993651	9611993651	9611994407	9611993652
47	•	O-ring, EPDM	9611993632	9611993636	9611993636	9611993640	9611993644
	•	O-ring, NBR	9611993633	9611993637	9611993637	9611993641	9611993645
	•	O-ring, FPM	9611993634	9611993638	9611993638	9611993642	9611993646
	•	O-ring, HNBR	9611993635	9611993639	9611993639	9611993643	9611993647
48	1	Sealing element	9613049101	9613049201	9613049201	9613065901	9613049401
49	•	Lip seal, EPDM	9613008521	9613008526	9613008526	9613008548	9613008531
	•	Lip seal, NBR	9613008522	9613008527	9613008527	9613008549	9613008532
	•	Lip seal, FPM	9613008523	9613008528	9613008528	9613008550	9613008533
	•	Lip seal, HNBR	9613008524	9613008529	9613008529	9613008551	9613008534
66	2	Flushing tube	9613007902	9613007903	9613007903	9613007904	9613007905
67	•	O-ring, EPDM	9611993119	9611993119	9611993119	9611993119	9611993119
68	1	Drain	9613008001	9613008001	9613008001	9613008001	9613008001
69	1	Nozzle	9613008002	9613008002	9613008002	9613008002	9613008002
Upper plug							
54	1	Guide ring, PTFE	9613008401	9613008402	9613008402	9613008402	9613008402
56	•	Seal ring, EPDM	9613095106	9613095109	9613095109	9613095119	9613095112
	•	Seal ring, NBR	9613095114	9613095115	9613095115	9613095120	9613095116
	•	Seal ring, FPM	9613095105	9613095108	9613095108	9613095118	9613095111
	•	Seal ring, HNBR	9613095104	9613095107	9613095107	9613095117	9613095110
57	•	Lip seal, EPDM	9613008706	9613008711	9613008711	9613008711	9613008711
	•	Lip seal, NBR	9613008707	9613008712	9613008712	9613008712	9613008712
	•	Lip seal, FPM	9613008708	9613008713	9613008713	9613008713	9613008713
	•	Lip seal, HNBR	9613008709	9613008714	9613008714	9613008714	9613008714
88	1	Pipe for balance plug, *	9615248501	9615248502	9615248502	9615248502	9615248502
	1	Pipe for balance plug, **	9613098101	9613098102	9613098102	9613098102	9613098102
89	•	O-ring, EPDM, *	9611995937	9611995938	9611995938	9611995938	9611995938
	•	O-ring, EPDM, **	9611994603	9611994600	9611994600	9611994600	9611994600
94	1	Balance plug, *	9615248702	9615248802	9615248802	9615248902	9615249002
	1	Balance plug, **					
	1	Balance plug, complete (Pos. 88, 89, 94 - (Period 1702-))	8010007463	8010007465	8010007465	8010007467	8010007469
Lower plug							
38	•	O-ring, EPDM	9611993555	9611993572	9611993572	9611993572	9611993572
74	•	Seal ring, EPDM	9613095206	9613095209	9613095209	9613095219	9613095212
	•	Seal ring, NBR	9613095214	9613095215	9613095215	9613095220	9613095216
	•	Seal ring, FPM - Alfa Laval recommends EPDM	9613095205	9613095208	9613095208	9613095218	9613095211
	•	Seal ring, HNBR	9613095204	9613095207	9613095207	9613095217	9613095210
93	1	Tank plug	9613096702	9613096802	9613096802	9613096902	9613097002

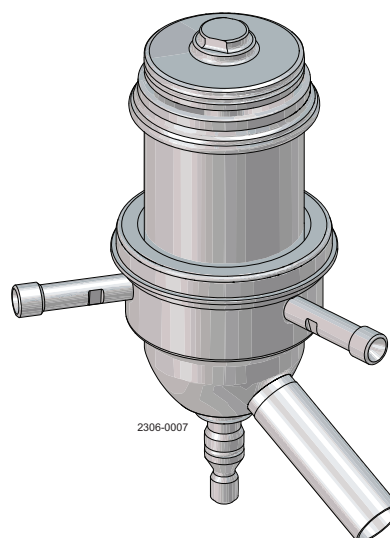
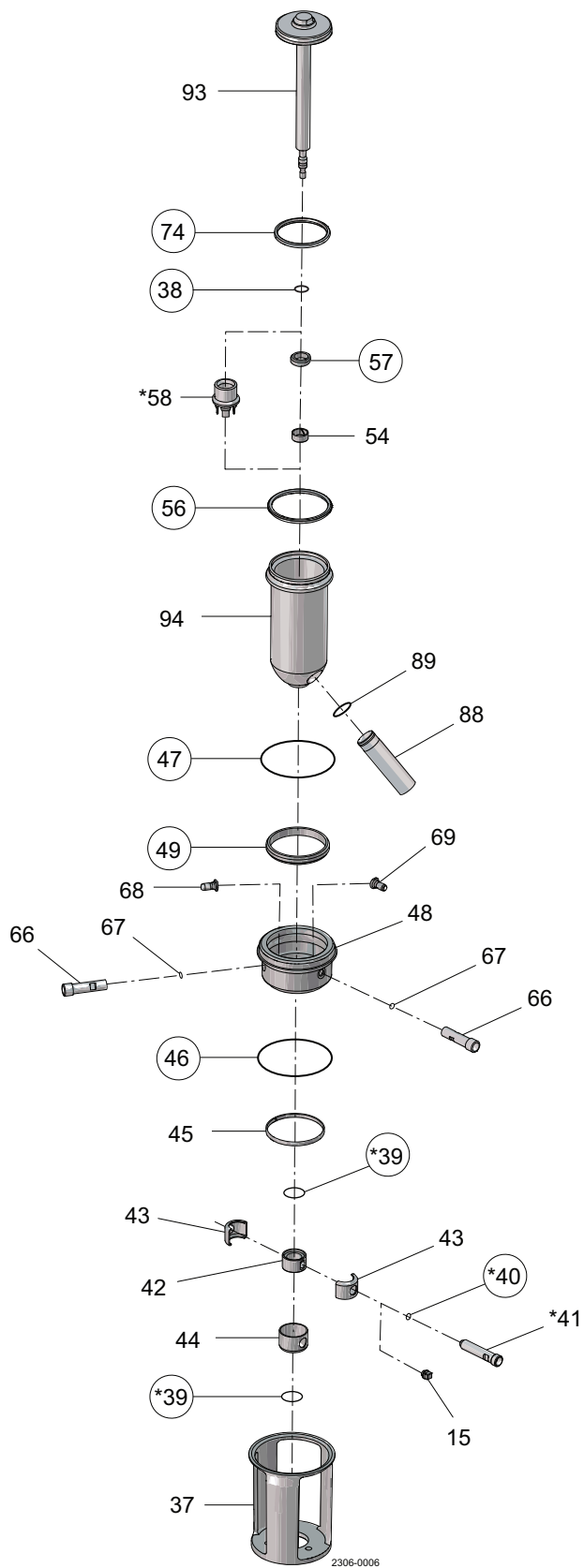
* = (period 1702 -)

** = (period -1702) - Please buy Balance plug, complete

Pos. 37, please see section 7 Valve body

See note below service kits.

Plug setup 6 (tank flange)



○ = wear parts

* = with SpiralClean in leakage chamber

Plug setup 6 (tank flange)

		DN/OD 51 DN50 Seat ø53.3	DN/OD 63.5 DN/OD 76.1 DN65/DN80 Seat ø81.3	LongStroke DN/OD 63.5 DN/OD 76.1 DN65/DN80 Seat ø81.3	DN/OD 101.6 DN 100 Seat ø100.3	DN 125 Seat ø115.3
•	Service kit, EPDM	9611926449	9611926453	9611926453	9611926457	9611926461
•	Service kit, NBR	9611926450	9611926454	9611926454	9611926458	9611926462
•	Service kit, FPM	9611926451	9611926455	9611926455	9611926459	9611926463
•	Service kit, HNBR	9611926452	9611926456	9611926456	9611926460	9611926464

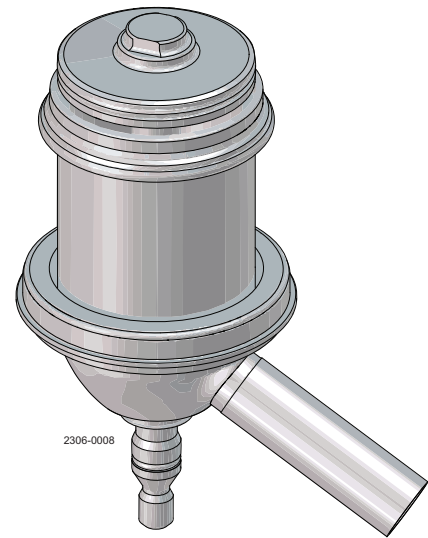
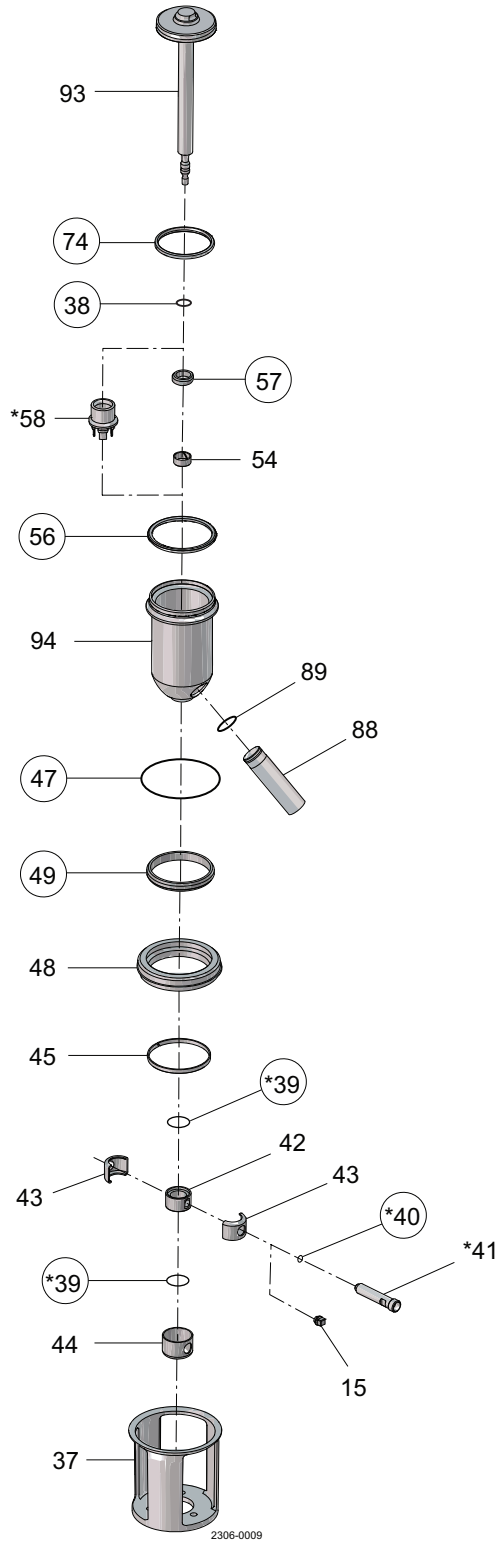
Parts marked with • are included in the service kits.

NOTE!

If SpiralClean in leakage chamber extra O-rings (2x pos. 39 and 1x pos. 40) is required.
All FPM service kits are supplied with EPDM seal ring, pos. 74.

900698/2

Plug setup 12 (tank flange)



○ = wear parts

* = with SpiralClean in leakage chamber

Plug setup 12 (tank flange)

Pos	Qty	Denomination	LongStroke					
			DN/OD 51 DN50 Seat ø53.3	DN/OD 63.5 DN65/DN80 Seat ø81.3	DN/OD 76.1 DN76.1 Seat ø81.3	DN/OD 101.6 DN 100 Seat ø100.3	DN 125 Seat ø115.3	DN 150 Seat ø115.3
Spindle liner								
15	1	Plug	9613414101	9613414101	9613414101	9613414101	9613414101	9613414101
42	1	Spindle liner	9613011601	9613009001	9613009001	9613009001	9613009001	9613009001
43	2	Clamp	9613011801	9613009201	9613009201	9613009201	9613009201	9613009201
44	1	Lock	9613011701	9613009101	9613009101	9613009101	9613009101	9613009101
Extra parts if SpiralClean in vent cavity								
39	2	O-ring, EPDM	9611993492	9611993493	9611993493	9611993493	9611993493	9611993493
40	1	O-ring, EPDM	9611993119	9611993119	9611993119	9611993119	9611993119	9611993119
41	1	Flushing tube	3135710172	3135710172	3135710172	3135710172	3135710172	3135710172
58	1	Spray nozzle, PVDF	9613098801	9613098901	9613098901	9613098901	9613098901	9613098901
Sealing element								
45	1	Guide ring	9613008413	9613008414	9613008414	9613008420	9613008415	9613008415
47	•	O-ring, EPDM	9611993632	9611993636	9611993636	9611993640	9611993644	9611993644
	•	O-ring, NBR	9611993633	9611993637	9611993637	9611993641	9611993645	9611993645
	•	O-ring, FPM	9611993634	9611993638	9611993638	9611993642	9611993646	9611993646
	•	O-ring, HNBR	9611993635	9611993639	9611993639	9611993643	9611993647	9611993647
48	1	Sealing element	9613014202	9613006402	9613006402	9613066001	9613017002	9613017002
49	•	Lip seal, EPDM	9613008521	9613008526	9613008526	9613008548	9613008531	9613008531
	•	Lip seal, NBR	9613008522	9613008527	9613008527	9613008549	9613008532	9613008532
	•	Lip seal, FPM	9613008523	9613008528	9613008528	9613008550	9613008533	9613008533
	•	Lip seal, HNBR	9613008524	9613008529	9613008529	9613008551	9613008534	9613008534
Upper plug								
54	1	Guide ring, PTFE	9613008401	9613008402	9613008402	9613008402	9613008402	9613008402
56	•	Seal ring, EPDM	9613095106	9613095109	9613095109	9613095119	9613095112	9613095112
	•	Seal ring, NBR	9613095114	9613095115	9613095115	9613095120	9613095116	9613095116
	•	Seal ring, FPM	9613095105	9613095108	9613095108	9613095118	9613095111	9613095111
	•	Seal ring, HNBR	9613095104	9613095107	9613095107	9613095117	9613095110	9613095110
57	•	Lip seal, EPDM	9613008706	9613008711	9613008711	9613008711	9613008711	9613008711
	•	Lip seal, NBR	9613008707	9613008712	9613008712	9613008712	9613008712	9613008712
	•	Lip seal, FPM	9613008708	9613008713	9613008713	9613008713	9613008713	9613008713
	•	Lip seal, HNBR	9613008709	9613008714	9613008714	9613008714	9613008714	9613008714
88	1	Pipe for balance plug, *	9615248501	9615248502	9615248502	9615248502	9615248502	9615248502
	1	Pipe for balance plug, **	9613098101	9613098102	9613098102	9613098102	9613098102	9613098102
89	•	O-ring, EPDM, *	9611995937	9611995938	9611995938	9611995938	9611995938	9611995938
	•	O-ring, EPDM, **	9611994603	9611994600	9611994600	9611994600	9611994600	9611994600
94	1	Balance plug, *	9615248701	9615248801	9615248801	9615248901	9615249001	9615249002
	1	Balance plug, **						
	1	Balance plug, complete (Pos. 88, 89, 94 - (Period 1702-))	8010007462	8010007464	8010007464	8010007466	8010007468	8010007469
Lower plug								
38	•	O-ring, EPDM	9611993555	9611993572	9611993572	9611993572	9611993572	9611993572
74	•	Seal ring, EPDM	9613095206	9613095209	9613095209	9613095219	9613095212	9613095212
	•	Seal ring, NBR	9613095214	9613095215	9613095215	9613095220	9613095216	9613095216
	•	Seal ring, FPM - Alfa Laval recommends EPDM	9613095205	9613095208	9613095208	9613095218	9613095211	9613095211
	•	Seal ring, HNBR	9613095204	9613095207	9613095207	9613095217	9613095210	9613095210
93	1	Tank plug	9613096701	9613096801	9613096801	9613096901	9613097001	9613097002

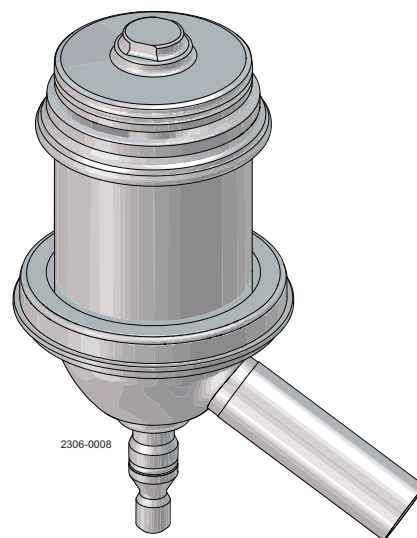
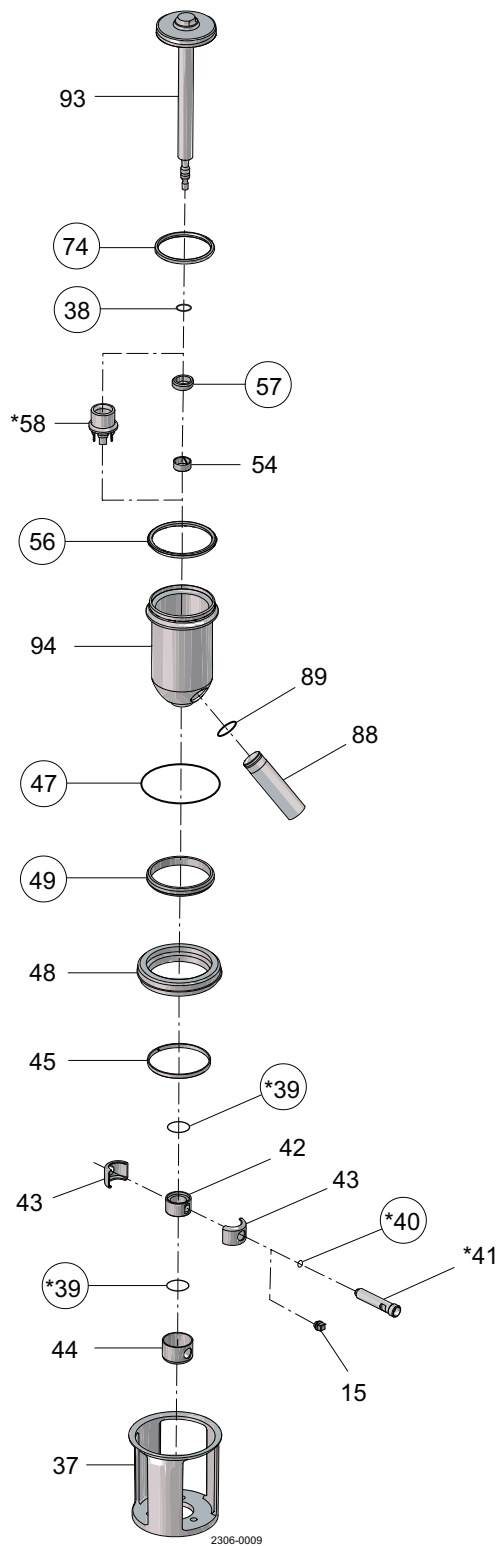
* = (period 1702 -)

** = (period -1702) - Please buy Balance plug, complete

Pos. 37, please see section 7 Valve body

See note below service kits.

Plug setup 12 (tank flange)



○ = wear parts

* = with SpiralClean in leakage chamber

Plug setup 12 (tank flange)

				LongStroke			
	DN/OD 51	DN/OD 63.5	DN/OD 63.5	DN/OD 76.1	DN/OD 101.6		
	DN50	DN/OD 76.1	DN/OD 63.5	DN65/DN80	DN 100	DN 125	
	Seat ø53.3	DN65/DN80	DN/OD 63.5	DN65/DN80	Seat ø100.3	Seat ø115.3	
		Seat ø81.3	DN/OD 63.5	Seat ø81.3		DN 150	
			DN/OD 63.5			Seat ø115.3	
•	Service kit, EPDM	9611926433	9611926437	9611926437	9611926441	9611926445	9611926445
•	Service kit, NBR	9611926434	9611926438	9611926438	9611926442	9611926446	9611926446
•	Service kit, FPM	9611926435	9611926439	9611926439	9611926443	9611926447	9611926447
•	Service kit, HNBR	9611926436	9611926440	9611926440	9611926444	9611926448	9611926448

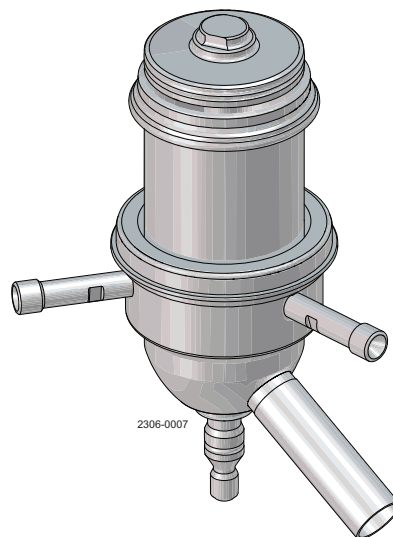
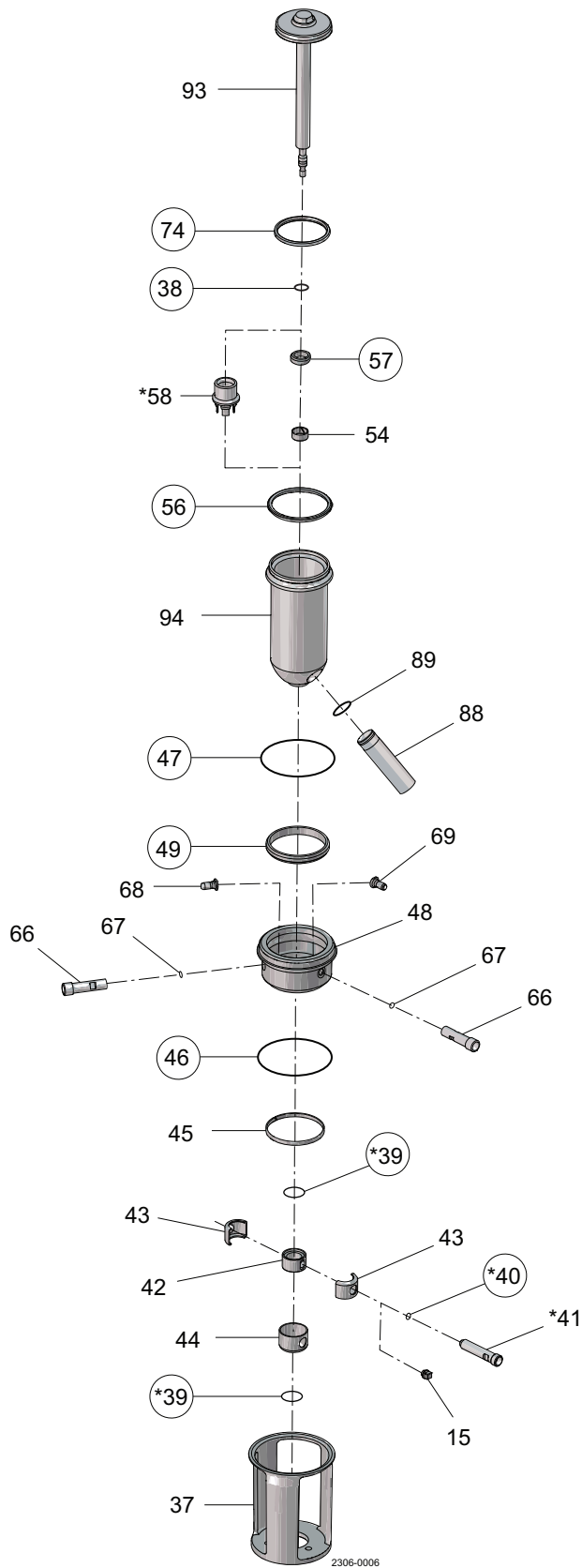
Parts marked with • are included in the service kits.

NOTE!

If SpiralClean in leakage chamber extra O-rings (2x pos. 39 and 1x pos. 40) is required.

All FPM service kits are supplied with EPDM seal ring, pos. 74.

Plug setup 6 (stub flange)



○ = wear parts

* = with SpiralClean in leakage chamber

Plug setup 6 (stub flange)

Pos	Qty	Denomination	LongStroke				
			DN/OD 51 DN50 Seat ø53.3	DN/OD 63.5 DN/OD 76.1 DN65/DN80 Seat ø81.3	DN/OD 76.1 DN/OD 76.1 DN65/DN80 Seat ø81.3	DN/OD 101.6 DN 100 Seat ø100.3	DN 125 Seat ø115.3
Spindle liner							
15	1	Plug	9613414101	9613414101	9613414101	9613414101	9613414101
42	1	Spindle liner	9613011601	9613009001	9613009001	9613009001	9613009001
43	2	Clamp	9613011801	9613009201	9613009201	9613009201	9613009201
44	1	Lock	9613011701	9613009101	9613009101	9613009101	9613009101
Extra parts if SpiralClean in vent cavity							
39	2	O-ring, EPDM	9611993492	9611993493	9611993493	9611993493	9611993493
40	1	O-ring, EPDM	9611993119	9611993119	9611993119	9611993119	9611993119
41	1	Flushing tube	3135710172	3135710172	3135710172	3135710172	3135710172
58	1	Spray nozzle, PVDF	9613098801	9613098901	9613098901	9613098901	9613098901
Sealing element							
45	1	Guide ring	9613008413	9613008414	9613008414	9613008420	9613008415
46	•	O-ring, EPDM	9611993650	9611993651	9611993651	9611994407	9611993652
47	•	O-ring, EPDM	9611993632	9611993636	9611993636	9611993640	9611993644
	•	O-ring, NBR	9611993633	9611993637	9611993637	9611993641	9611993645
	•	O-ring, FPM	9611993634	9611993638	9611993638	9611993642	9611993646
	•	O-ring, HNBR	9611993635	9611993639	9611993639	9611993643	9611993647
48	1	Sealing element	9613049101	9613049201	9613049201	9613065901	9613049401
49	•	Lip seal, EPDM	9613008521	9613008526	9613008526	9613008548	9613008531
	•	Lip seal, NBR	9613008522	9613008527	9613008527	9613008549	9613008532
	•	Lip seal, FPM	9613008523	9613008528	9613008528	9613008550	9613008533
	•	Lip seal, HNBR	9613008524	9613008529	9613008529	9613008551	9613008534
66	2	Flushing tube	9613007902	9613007903	9613007903	9613007904	9613007905
67	•	O-ring, EPDM	9611993119	9611993119	9611993119	9611993119	9611993119
68	1	Drain	9613008001	9613008001	9613008001	9613008001	9613008001
69	1	Nozzle	9613008002	9613008002	9613008002	9613008002	9613008002
Upper plug							
54	1	Guide ring, PTFE	9613008401	9613008402	9613008402	9613008402	9613008402
56	•	Seal ring, EPDM	9613095106	9613095109	9613095109	9613095119	9613095112
	•	Seal ring, NBR	9613095114	9613095115	9613095115	9613095120	9613095116
	•	Seal ring, FPM	9613095105	9613095108	9613095108	9613095118	9613095111
	•	Seal ring, HNBR	9613095104	9613095107	9613095107	9613095117	9613095110
57	•	Lip seal, EPDM	9613008706	9613008711	9613008711	9613008711	9613008711
	•	Lip seal, NBR	9613008707	9613008712	9613008712	9613008712	9613008712
	•	Lip seal, FPM	9613008708	9613008713	9613008713	9613008713	9613008713
	•	Lip seal, HNBR	9613008709	9613008714	9613008714	9613008714	9613008714
88	1	Pipe for balance plug, *	9615248501	9615248502	9615248502	9615248502	9615248502
	1	Pipe for balance plug, **	9613098101	9613098102	9613098102	9613098102	9613098102
89	•	O-ring, EPDM, *	9611995937	9611995938	9611995938	9611995938	9611995938
	•	O-ring, EPDM, **	9611994603	9611994600	9611994600	9611994600	9611994600
94	1	Balance plug, *	9615248702	9615248802	9615248802	9615248902	9615249002
	1	Balance plug, **					
	1	Balance plug, complete (Pos. 88, 89, 94 - (Period 1702-))	8010007463	8010007465	8010007465	8010007467	8010007469
Lower plug							
38	•	O-ring, EPDM	9611993555	9611993572	9611993572	9611993572	9611993572
74	•	Seal ring, EPDM	9613095206	9613095209	9613095209	9613095219	9613095212
	•	Seal ring, NBR	9613095214	9613095215	9613095215	9613095220	9613095216
	•	Seal ring, FPM - Alfa Laval recommends EPDM	9613095205	9613095208	9613095208	9613095218	9613095211
	•	Seal ring, HNBR	9613095204	9613095207	9613095207	9613095217	9613095210
93	1	Tank plug	9613096702	9613096802	9613096802	9613096902	9613097002

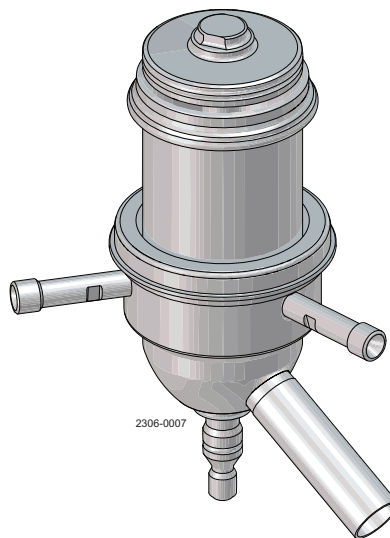
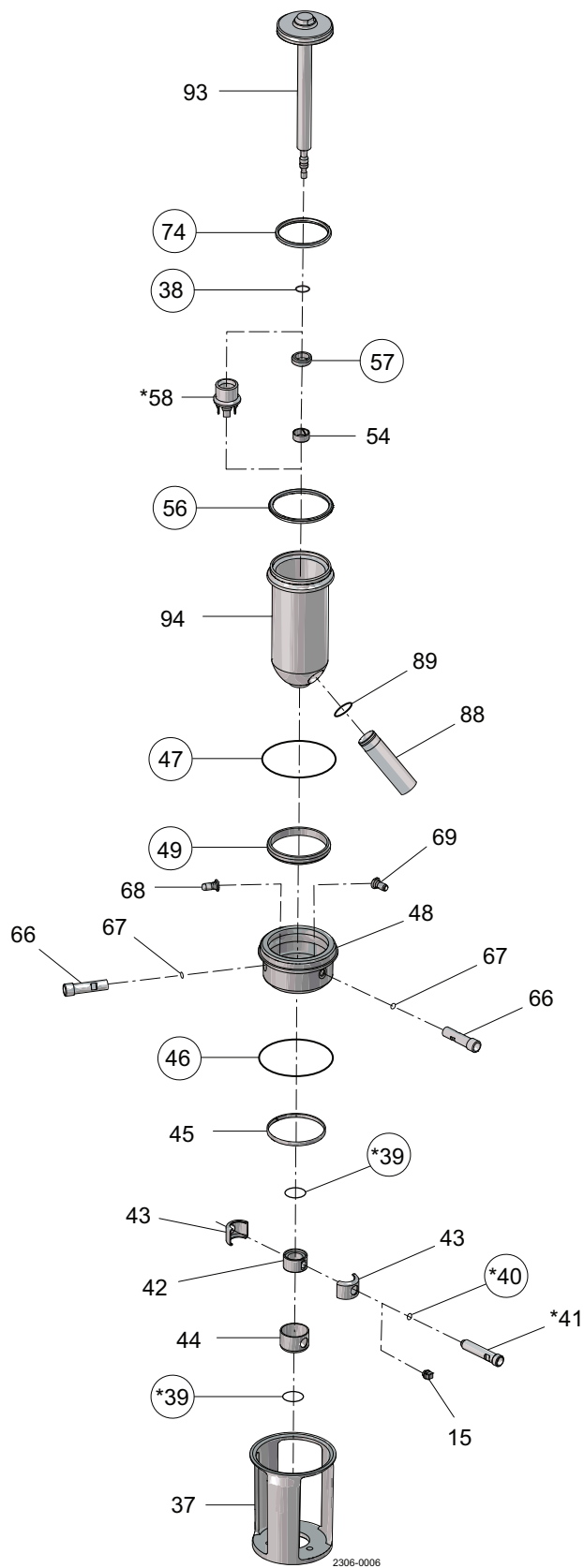
* = (period 1702 -)

** = (period -1702) - Please buy Balance plug, complete

Pos. 37, please see section 7 Valve body

See note below service kits.

Plug setup 6 (stub flange)



○ = wear parts

* = with SpiralClean in leakage chamber

Plug setup 6 (stub flange)

		DN/OD 51 DN50 Seat ø53.3	DN/OD 63.5 DN/OD 76.1 DN65/DN80 Seat ø81.3	LongStroke DN/OD 63.5 DN/OD 76.1 DN65/DN80 Seat ø81.3	DN/OD 101.6 DN 100 Seat ø100.3	DN 125 Seat ø115.3
•	Service kit, EPDM	9611926481	9611926485	9611926485	9611926489	9611926493
•	Service kit, NBR	9611926482	9611926486	9611926486	9611926490	9611926494
•	Service kit, FPM	9611926483	9611926487	9611926487	9611926491	9611926495
•	Service kit, HNBR	9611926484	9611926488	9611926488	9611926492	9611926496

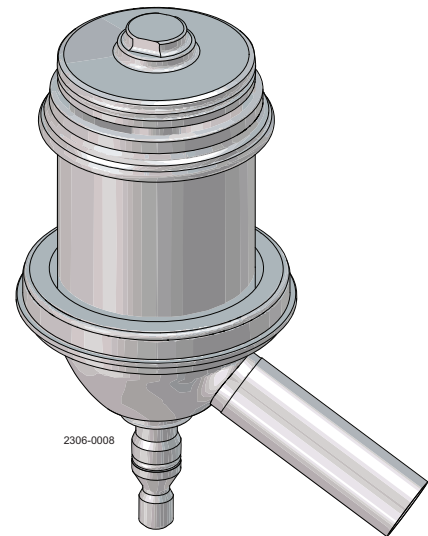
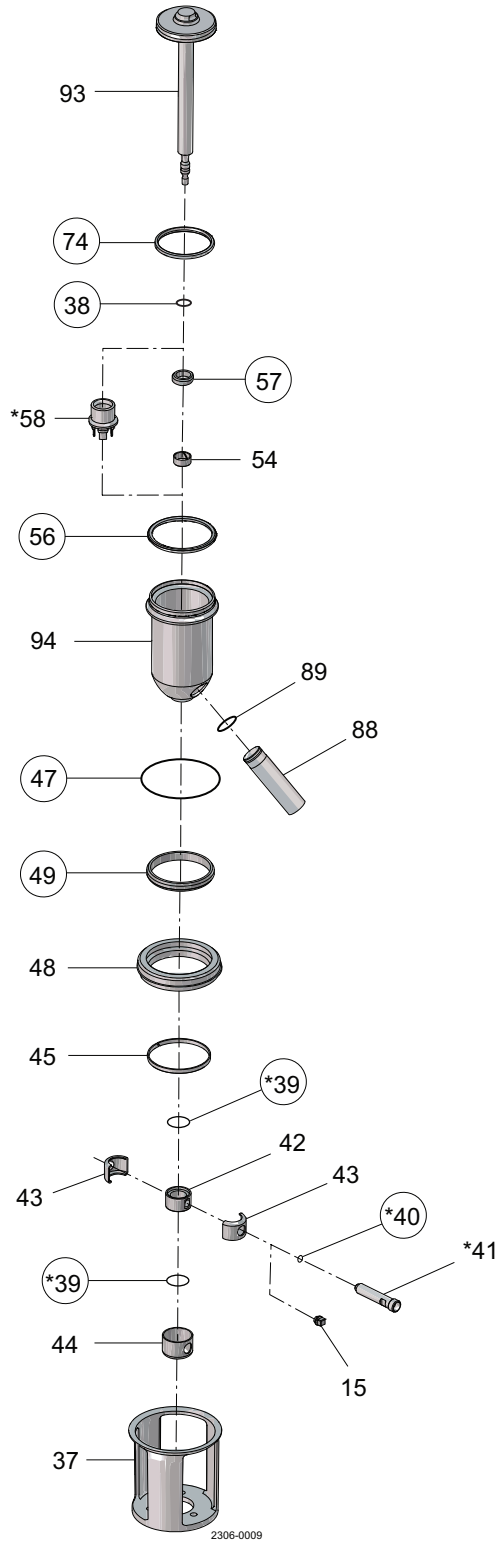
Parts marked with • are included in the service kits.

NOTE!

If SpiralClean in leakage chamber extra O-rings (2x pos. 39 and 1x pos. 40) is required.

All FPM service kits are supplied with EPDM seal ring, pos. 74.

Plug setup 12 (stub flange)



○ = wear parts

* = with SpiralClean in leakage chamber

Plug setup 12 (stub flange)

Pos	Qty	Denomination	LongStroke					
			DN/OD 51 DN50 Seat ø53.3	DN/OD 63.5 DN 65 DN/OD 76.1 DN65/DN80 Seat ø81.3	DN/OD 63.5 DN 65 DN/OD 76.1 DN65/DN80 Seat ø81.3	DN/OD 101.6 DN 100 Seat ø100.3	DN 125 Seat ø115.3	DN 150 Seat ø115.3
Spindle liner								
15	1	Plug	9613414101	9613414101	9613414101	9613414101	9613414101	9613414101
42	1	Spindle liner	9613011601	9613009001	9613009001	9613009001	9613009001	9613009001
43	2	Clamp	9613011801	9613009201	9613009201	9613009201	9613009201	9613009201
44	1	Lock	9613011701	9613009101	9613009101	9613009101	9613009101	9613009101
Extra parts if SpiralClean in vent cavity								
39	2	O-ring, EPDM	9611993492	9611993493	9611993493	9611993493	9611993493	9611993493
40	1	O-ring, EPDM	9611993119	9611993119	9611993119	9611993119	9611993119	9611993119
41	1	Flushing tube	3135710172	3135710172	3135710172	3135710172	3135710172	3135710172
58	1	Spray nozzle, PVDF	9613098801	9613098901	9613098901	9613098901	9613098901	9613098901
Sealing element								
45	1	Guide ring	9613008413	9613008414	9613008414	9613008420	9613008415	9613008415
47	•	O-ring, EPDM	9611993632	9611993636	9611993636	9611993640	9611993644	9611993644
	•	O-ring, NBR	9611993633	9611993637	9611993637	9611993641	9611993645	9611993645
	•	O-ring, FPM	9611993634	9611993638	9611993638	9611993642	9611993646	9611993646
	•	O-ring, HNBR	9611993635	9611993639	9611993639	9611993643	9611993647	9611993647
48	1	Ssealing element	9613014202	9613006402	9613006402	9613066001	9613017002	9613017002
49	•	Lip seal, EPDM	9613008521	9613008526	9613008526	9613008548	9613008531	9613008531
	•	Lip seal, NBR	9613008522	9613008527	9613008527	9613008549	9613008532	9613008532
	•	Lip seal, FPM	9613008523	9613008528	9613008528	9613008550	9613008533	9613008533
	•	Lip seal, HNBR	9613008524	9613008529	9613008529	9613008551	9613008534	9613008534
Upper plug								
54	1	Guide ring, PTFE	9613008401	9613008402	9613008402	9613008402	9613008402	9613008402
56	•	Seal ring, EPDM	9613095106	9613095109	9613095109	9613095119	9613095112	9613095112
	•	Seal ring, NBR	9613095114	9613095115	9613095115	9613095120	9613095116	9613095116
	•	Seal ring, FPM	9613095105	9613095108	9613095108	9613095118	9613095111	9613095111
	•	Seal ring, HNBR	9613095104	9613095107	9613095107	9613095117	9613095110	9613095110
57	•	Lip seal, EPDM	9613008706	9613008711	9613008711	9613008711	9613008711	9613008711
	•	Lip seal, NBR	9613008707	9613008712	9613008712	9613008712	9613008712	9613008712
	•	Lip seal, FPM	9613008708	9613008713	9613008713	9613008713	9613008713	9613008713
	•	Lip seal, HNBR	9613008709	9613008714	9613008714	9613008714	9613008714	9613008714
88	1	Pipe for balance plug, *	9615248501	9615248502	9615248502	9615248502	9615248502	9615248502
	1	Pipe for balance plug, **	9613098101	9613098102	9613098102	9613098102	9613098102	9613098102
89	•	O-ring, EPDM, *	9611995937	9611995938	9611995938	9611995938	9611995938	9611995938
	•	O-ring, EPDM, **	9611994603	9611994600	9611994600	9611994600	9611994600	9611994600
94	1	Balance plug, *	9615248701	9615248801	9615248801	9615248901	9615249001	9615249002
	1	Balance plug, **						
	1	Balance plug, complete (Pos. 88, 89, 94 - (Period 1702-))	8010007462	8010007464	8010007464	8010007466	8010007468	8010007469
Lower plug								
38	•	O-ring, EPDM	9611993555	9611993572	9611993572	9611993572	9611993572	9611993572
74	•	Seal ring, EPDM	9613095206	9613095209	9613095209	9613095219	9613095212	9613095212
	•	Seal ring, NBR	9613095214	9613095215	9613095215	9613095220	9613095216	9613095216
	•	Seal ring, FPM Alfa Laval recommends EPDM	9613095205	9613095208	9613095208	9613095218	9613095211	9613095211
	•	Seal ring, HNBR	9613095204	9613095207	9613095207	9613095217	9613095210	9613095210
93	1	Tank plug	9613096701	9613096801	9613096801	9613096901	9613097001	9613097002

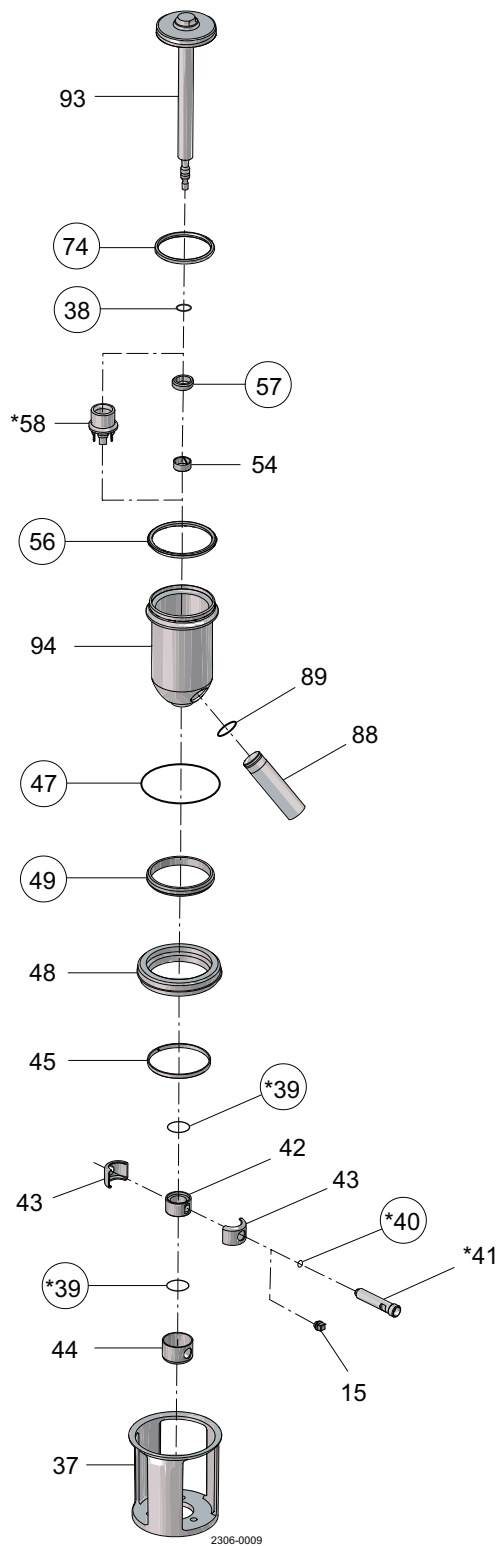
* = (period 1702 -)

** = (period -1702) - Please buy Balance plug, complete

Pos. 37, please see section 7 Valve body

See note below service kits.

Plug setup 12 (stub flange)



○ = wear parts

* = with SpiralClean in leakage chamber

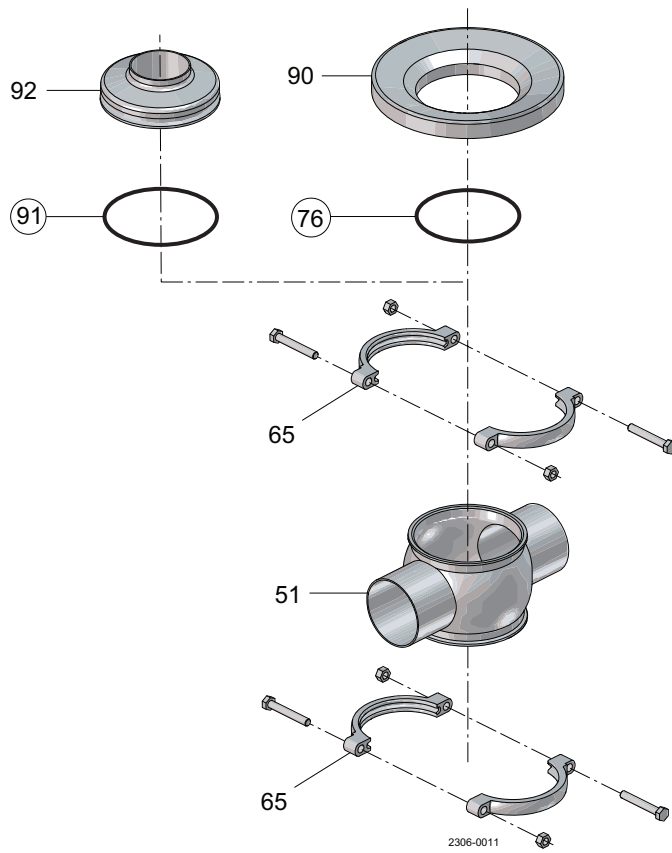
Plug setup 12 (stub flange)

				LongStroke			
			DN/OD 63.5 DN65	DN/OD 63.5 DN65			
		DN/OD 51 DN50 Seat ø53.3	DN/OD 76.1 DN65/DN80 Seat ø81.3	DN/OD 76.1 DN65/DN80 Seat ø81.3	DN/OD 101.6 DN 100 Seat ø100.3	DN 125 Seat ø115.3	DN 150 Seat ø115.3
•	Service kit, EPDM	9611926465	9611926469	9611926469	9611926473	9611926477	9611926477
•	Service kit, NBR	9611926466	9611926470	9611926470	9611926474	9611926478	9611926478
•	Service kit, FPM	9611926467	9611926471	9611926471	9611926475	9611926479	9611926479
•	Service kit, HNBR	9611926468	9611926472	9611926472	9611926476	9611926480	9611926480

Parts marked with • are included in the service kits.

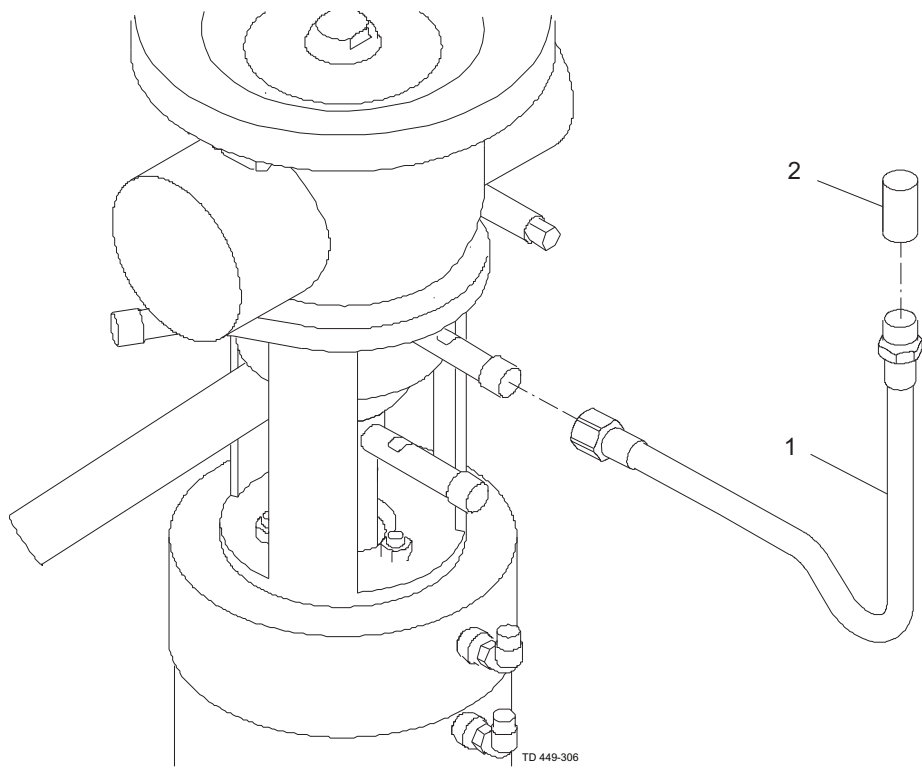
NOTE!

If SpiralClean in leakage chamber extra O-rings (2x pos. 39 and 1x pos. 40) is required.
All FPM service kits are supplied with EPDM seal ring, pos. 74.



Valve body

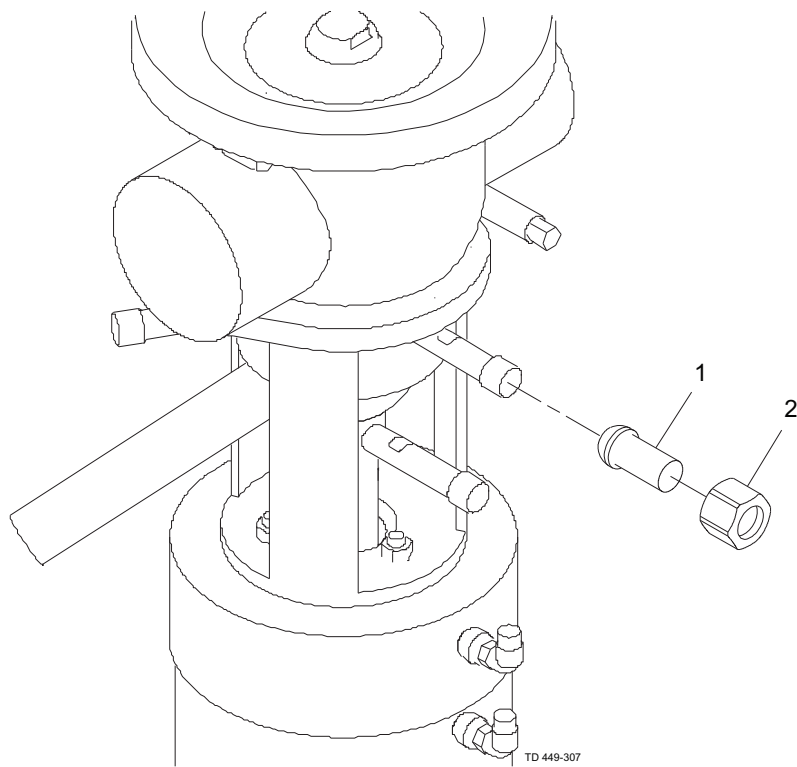
Pos	Qty	Denomination	DN/OD 51 seat ø53.3	DN 50 seat ø53.3	DN/OD 63.5 seat ø81.3	DN 65 seat ø81.3	DN/OD 76.1 seat ø81.3	DN 80 seat ø81.3
37	1	Intermediate piece, setup12	9613097501	9613097502	9613097601	9613097602	9613097603	9613097604
	1	Intermediate piece, setup 6	9613097503	9613097504	9613097605	9613097606	9613097607	9613097608
65	2	Clamp with screws	9613017802	9613017802	9613017902	9613017902	9613017902	9613017902
51	1	Valve body, upper, type 20	9613058005	9613058105	9613058007	9613058107	9613058009	9613058109
	1	Valve body, upper, type 30	9613058006	9613058106	9613058008	9613058108	9613058010	9613058110
Tank flange								
76	1	O-ring, EPDM	9611993632	9611993632	9611993636	9611993636	9611993636	9611993636
	1	O-ring, NBR	9611993633	9611993633	9611993637	9611993637	9611993637	9611993637
	1	O-ring, FPM	9611993634	9611993634	9611993638	9611993638	9611993638	9611993638
	1	O-ring, HNBR	9611993635	9611993635	9611993639	9611993639	9611993639	9611993639
90	1	Tank flange	9613099101	9613099101	9613099201	9613099201	9613099201	9613099201
Stub flange								
91	1	O-ring, EPDM	9611994606	9611994606	9611994610	9611994610	9611994610	9611994610
	1	O-ring, NBR	9611994607	9611994607	9611994611	9611994611	9611994611	9611994611
	1	O-ring, FPM	9611994290	9611994290	9611994612	9611994612	9611994612	9611994612
	1	O-ring, HNBR	9611994609	9611994609	9611994613	9611994613	9611994613	9611994613
92	1	Stub flange	9613004701	9613004702	9613004801	9613004802	9613004803	9613004804
Pos	Qty	Denomination			LongStroke DN/OD 63.5 seat ø81.3	LongStroke DN65 seat ø81.3	LongStroke DN/OD 76.1 seat ø81.3	LongStroke DN/OD 80 seat ø81.3
37	1	Intermediate piece, setup 12			9613097617	9613097618	9613097619	9613097620
	1	Intermediate piece, setup 6			9613097621	9613097622	9613097623	9613097624
65	2	Clamp with screws			9613017902	9613017902	9613017902	9613017902
51	1	Valve body, upper, type 20			9613058007	9613058107	9613058009	9613058109
	1	Valve body, upper, type 30			9613058008	9613058108	9613058010	9613058110
Tank flange								
76	1	O-ring,, EPDM			9611993636	9611993636	9611993636	9611993636
	1	O-ring, NBR			9611993637	9611993637	9611993637	9611993637
	1	O-ring, FPM			9611993638	9611993638	9611993638	9611993638
	1	O-ring,, HNBR			9611993639	9611993639	9611993639	9611993639
90	1	Tank flange			9613099201	9613099201	9613099201	9613099201
Stub flange								
91	1	O-ring, EPDM			9611994610	9611994610	9611994610	9611994610
	1	O-ring, NBR			9611994611	9611994611	9611994611	9611994611
	1	O-ring, FPM			9611994612	9611994612	9611994612	9611994612
	1	O-ring, HNBR			9611994613	9611994613	9611994613	9611994613
92	1	Stub flange			9613004801	9613004802	9613004803	9613004804
Pos	Qty	Denomination			DN/OD 101.6 seat ø100.3	DN100 seat ø100.3	DN 125 seat ø115.3	DN 150 seat ø115.3
37	1	Intermediate piece, setup 12			9613097701	9613097702	9613097801	9613097802
	1	Intermediate piece, setup 6			9613097703	9613097704	9613097803	N/A
65	2	Clamp with screws			9613018002	9613018002		
	1	Clamp with screws					9613018002	9613018002
	1	Clamp with screws					9613018102	9613018102
51	1	Valve body, upper, type 20			9613058037	9613058149	9613058113	9613058115
	1	Valve body, upper, type 30			9613058038	9613058150	9613058114	9613058116
Tank flange								
76	1	O-ring, EPDM			9611993640	9611993640	9611993640	9611993640
	1	O-ring, NBR			9611993641	9611993641	9611993641	9611993641
	1	O-ring, FPM			9611993642	9611993642	9611993642	9611993642
	1	O-ring, HNBR			9611993643	9611993643	9611993643	9611993643
90	1	Tank flange			9613099301	9613099301	9613099301	9613099301
Stub flange								
91	1	O-ring, EPDM			9611994614	9611994614	9611993640	9611993640
	1	O-ring, NBR			9611994615	9611994615	9611993641	9611993641
	1	O-ring, FPM			9611994616	9611994616	9611993642	9611993642
	1	O-ring, HNBR			9611994617	9611994617	9611993643	9611993643
92	1	Stub flange			9613004901	9613004902	9613005001	9613005001



Installation kit B

Pos	Qty	Denomination	
1	1	Hose PTFE with stainless steel weave	3135707451
2	1	Welding socket	9611990917

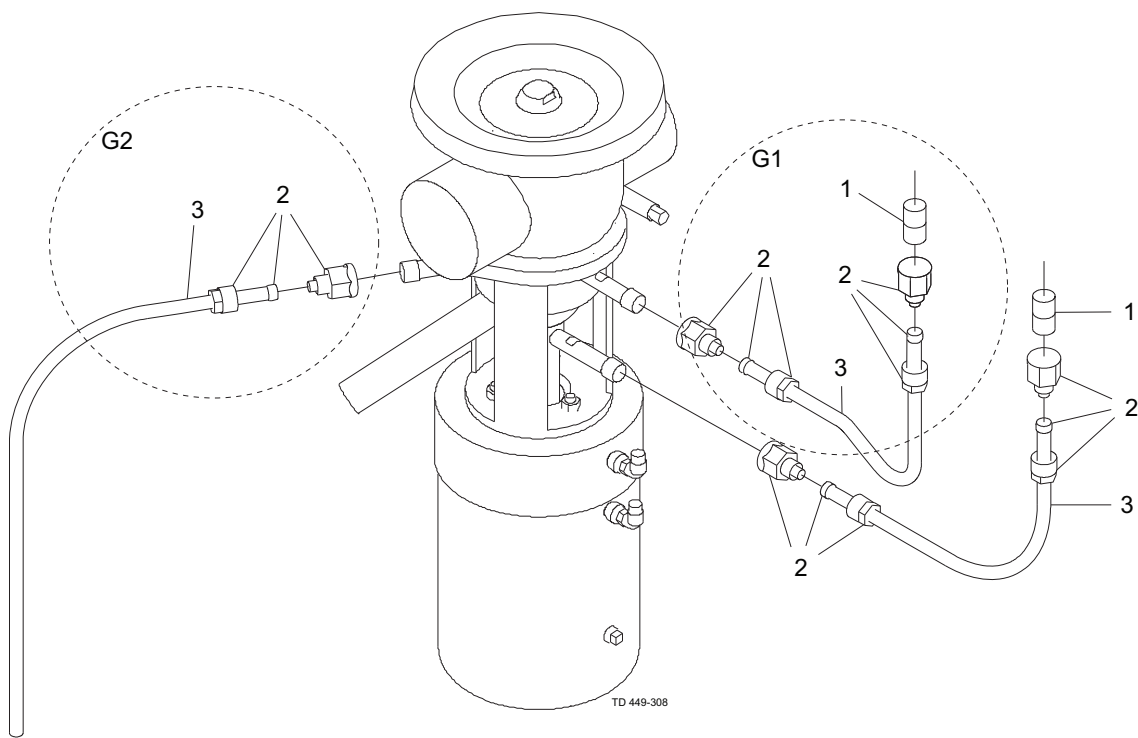
900-324



Installation kit C

Pos	Qty	Denomination	
1	1	Welding liner	3135707431
2	1	Nut	3135707441

900-325/1



Installation kit G

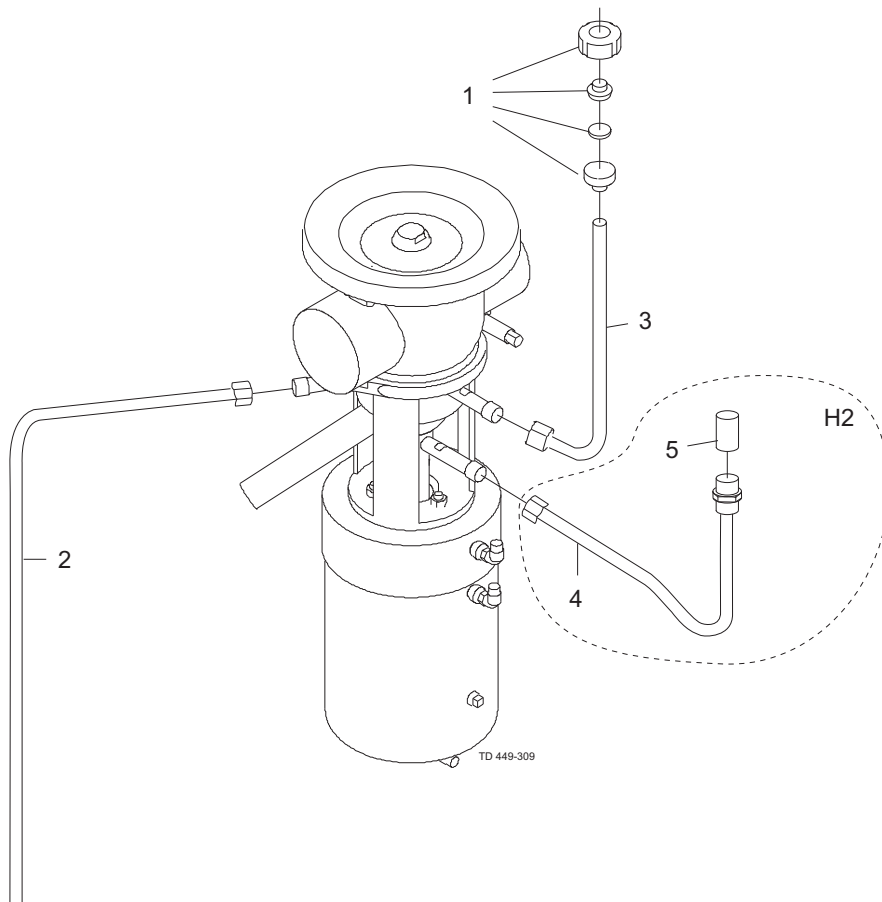
Installation kit G1

Pos	Qty	Denomination	
1	1	Welding male part, AISI 316	3135707471
2	2	3/8" 10 mm Female PVDF	9611992372
3	1	10 mm PVDF hose, 1m	9611992607

Installation kit G2

Pos	Qty	Denomination	
2	1	3/8" 10 mm Female PVDF	9611992372
3	1	10 mm PVDF hose, 1m	9611992607

900-329



Installation kits H and H2

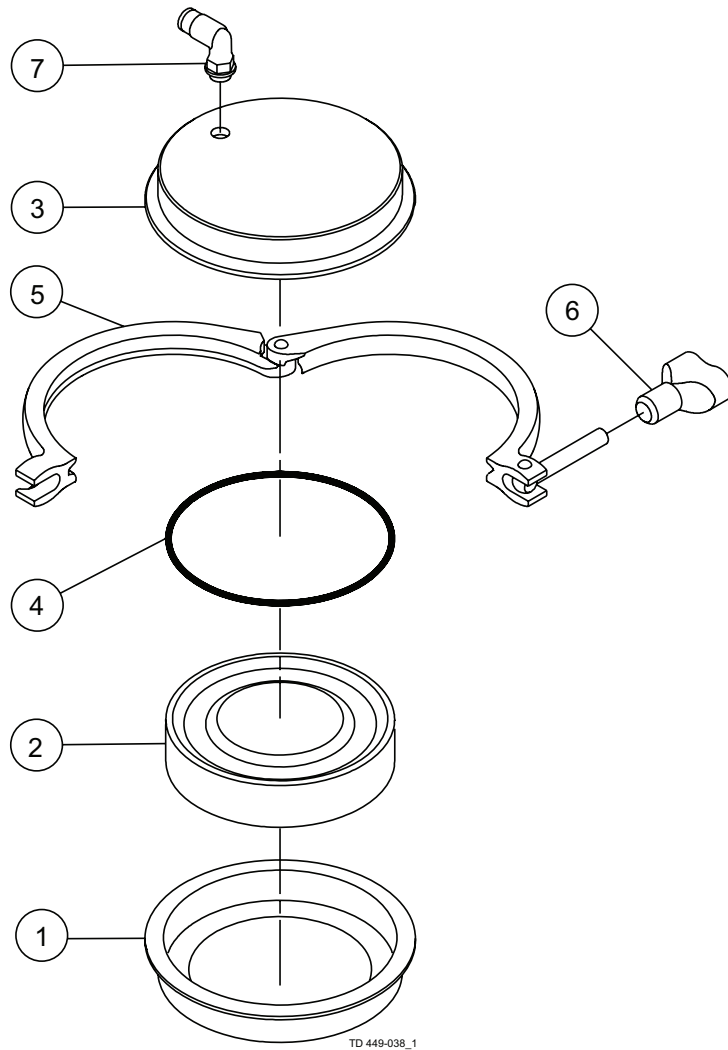
Installation kit H

Pos	Qty	Denomination	
1	1	DIN union DN10	9611305791
	1	Nut, DN10	9611306420
	1	Welding liner DIN, DN10	9611305950
	1	Packing NBR, DN10	52734601
	1	Male part DIN, DN10	9611305900
2	1	12 mm CIP pipe long	3135710014
3	1	12 mm CIP pipe	3135710013

Installation kit H2

Pos	Qty	Denomination	
4	1	Hose PTFE with stainless steel weave	3135707451
5	1	Welding socket	9611990917

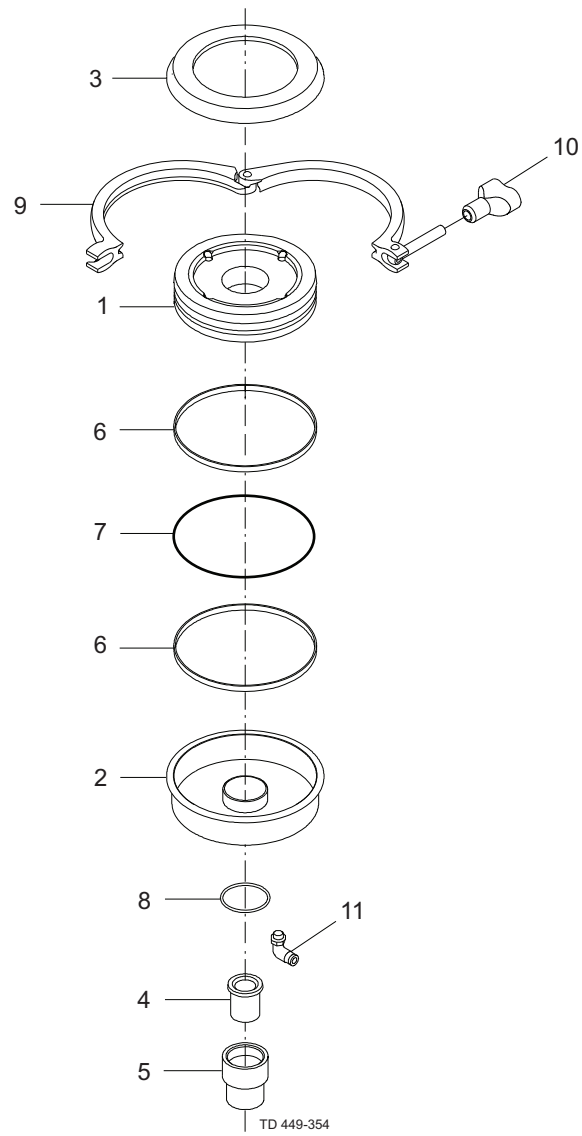
900-326



Axial installation tool

Pos	Qty	Denomination	Seat ø53.3	Seat ø81.3	Seat ø100.3	Seat ø115.3
		Complete tool	9613050501	9613050502	9613050508	9613050503
1	1	Lower Part				
2	1	Piston				
3	1	Upper Part				
4	1	O-ring, NBR	9611993703	9611993703	9611993349	9611993349
5	1	Clamp				
6	1	Wingnut				
7	1	Air fitting				

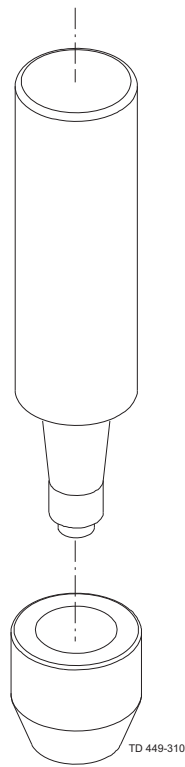
TD900-663/2



Radial installation tool

Pos	Qty	Denomination	Seat ø53.3	Seat ø81.3	Seat ø100.3	Seat ø115.3
		Complete tool	9613426001	9613426002	9613426003	9613426004
1	1	Piston				
2	1	Lower Part				
3	1	Upper Part				
4	1	Bushing				
5	1	Guide				
6	2	Guide ring	9613008422	9613008422	9613008422	9613008422
7	1	O-ring, NBR	9611993349	9611993349	9611993349	9611993349
8	1	O-ring, NBR	9611993705	9611993705	9611993705	9611993705
9	1	Clamp				
10	1	Wingnut				
11	1	Air fitting				

TD900-664/2



TD 449-310

Mounting tool for lip seal

Pos	Qty	Denomination	DN/OD 63.5			
			DN/OD 51 DN 50	DN 65 DN/OD 76.1 DN 80	DN/OD 101.6 DN 100	DN 125 DN 150
	1	Mounting tool for lip seal, complete*	8010006489	8010001579	8010001584	8010001591
	1	Mounting tool for lip seal, complete**	9613004001			

* = (Period 1702-)

** = (Period -1702)

900-733

How to contact Alfa Laval

Contact details for all countries are continually updated on our website.

Please visit www.alfalaval.com to access the information directly.

© Alfa Laval Corporate AB

This document and its contents is owned by Alfa Laval Corporate AB and protected by laws governing intellectual property and thereto related rights. It is the responsibility of the user of this document to comply with all applicable intellectual property laws. Without limiting any rights related to this document, no part of this document may be copied, reproduced or transmitted in any form or by any means (electronic, mechanical, photocopying, recording, or otherwise), or for any purpose, without the expressed permission of Alfa Laval Corporate AB. Alfa Laval Corporate AB will enforce its rights related to this document to the fullest extent of the law, including the seeking of criminal prosecution.