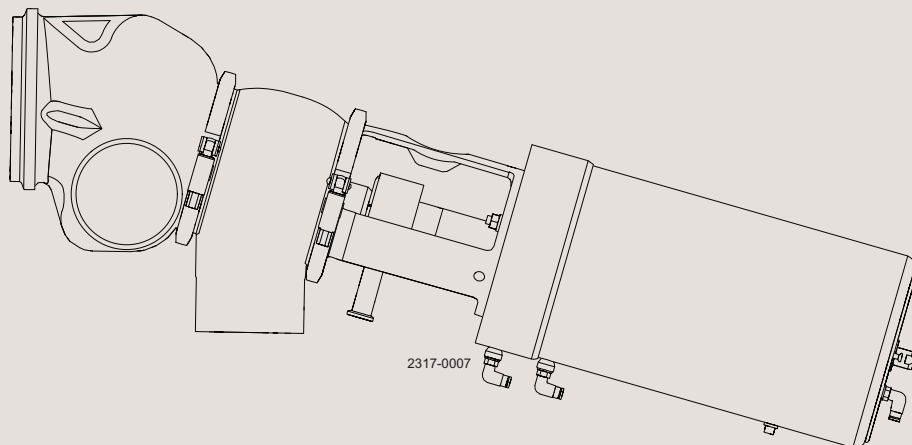




Spare Parts

Unique Mixproof Horizontal Tank Valve



ESE02288-EN8

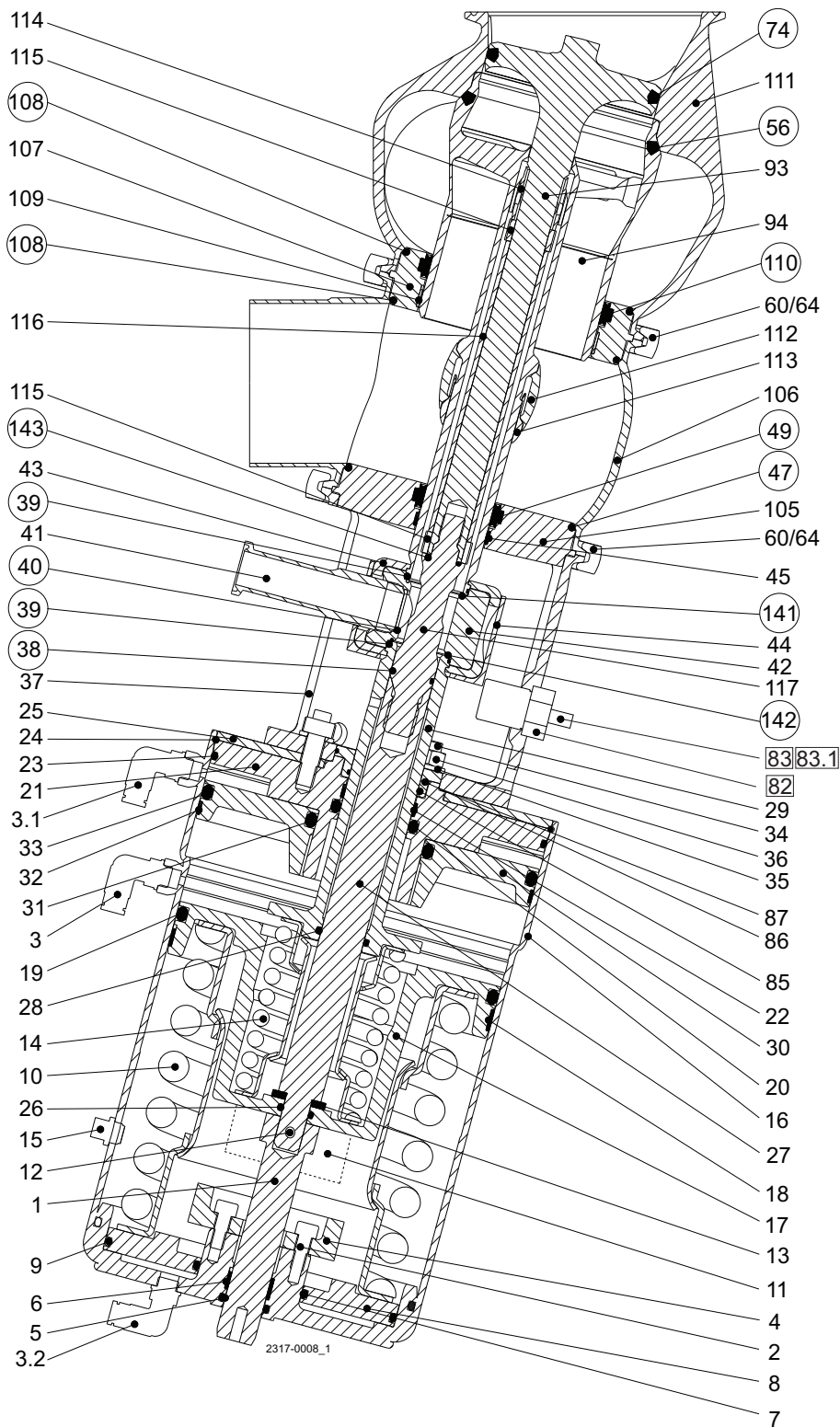
2021-06

Original manual

Table of contents

The information herein is correct at the time of issue but may be subject to change without prior notice

1. Wear parts	4
2. Parts	6
3. Service kits	10
4. Axial installation tool	12
5. Radial installation tool	14
6. CIP validation kit	16
7. Sensor kit	18

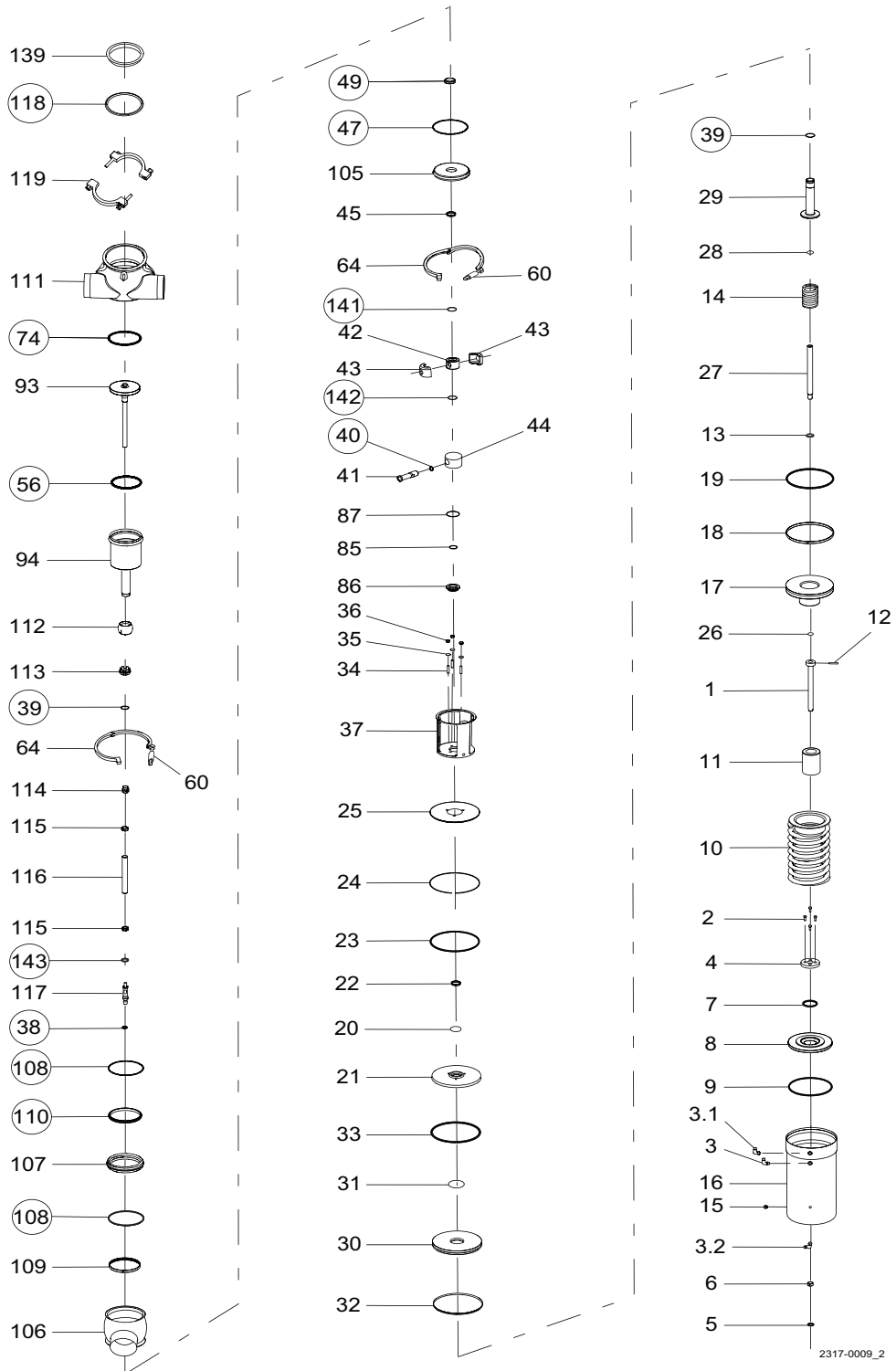


○ = wear parts
 ◻ = sensor kit

Wear parts

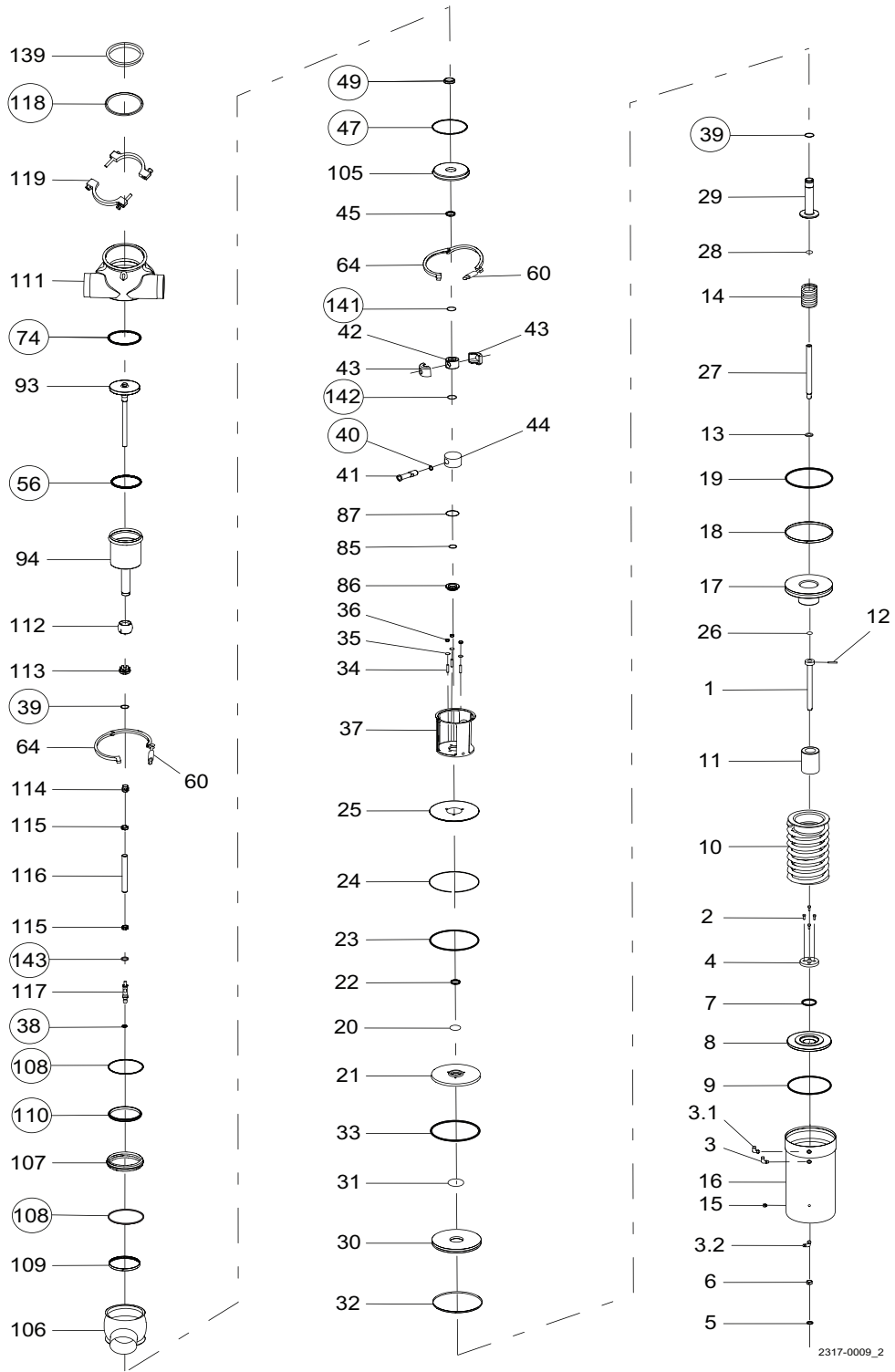
Pos	Qty	Denomination	2½	4"
			3" seat ø81.3	Seat ø115.3
38	1	O-ring, EPDM	9611992671	9611992671
39	2	O-ring, EPDM	9611993493	9611993493
	1	O-ring, EPDM		
	1	O-ring, EPDM		
40	1	O-ring, EPDM	9611992671	9611992671
47	1	O-ring, EPDM (Standard)	9611993636	9611993640
	1	O-ring, NBR	9611993637	9611993641
	1	O-ring, HNBR	9611993639	9611993643
	1	O-ring, FPM	9611993638	9611993642
49	1	Lip seal, EPDM (Standard)	9613008511	9613008511
	1	Lip seal, NBR	9613008512	9613008512
	1	Lip seal, HNBR	9613008514	9613008514
	1	Lip seal, FPM	9613008513	9613008513
56	1	Seal ring, EPDM (Standard)	9613095109	9613095112
	1	Seal ring, NBR	9613095115	9613095116
	1	Seal ring, HNBR	9613095107	9613095110
	1	Seal ring, FPM	9613095108	9613095111
74	1	Seal ring, EPDM (Standard)	9613095209	9613095212
	1	Seal ring, NBR	9613095215	9613095216
	1	Seal ring, HNBR	9613095207	9613095210
	1	Seal ring, FPM - Alfa Laval recommends EPDM	9613095208	9613095211
108	2	O-ring, EPDM (Standard)	9611993636	9611993640
	2	O-ring, NBR	9611993637	9611993641
	2	O-ring, HNBR	9611993639	9611993643
	2	O-ring, FPM	9611993638	9611993642
110	1	Lip seal, EPDM (Standard)	9613008526	9613008531
	1	Lip seal, NBR	9613008527	9613008532
	1	Lip seal, HNBR	9613008529	9613008534
	1	Lip seal, FPM	9613008528	9613008533
118	1	Clamp packing, EPDM (Standard)	290025	290131
	1	Clamp packing, NBR	298349	298220
	1	Clamp packing, HNBR	290172	290182
	1	Clamp packing, FPM	290172	290182
141	1	O-ring, EPDM	9611993493	9611993493
142	1	O-ring, EPDM	9611993493	9611993493
143	1	O-ring, EPDM	9611995345	9611995345

NOTE! All FPM service kits are supplied with EPDM seal ring, pos. 74.



Parts

Pos	Qty	Denomination	2½" Seat ø81.3	3" Seat ø81.3	4" Seat ø115.3
1	1	Cpl. Actuator	9613099541	9613099541	9614031332
1		Upper stem	9613007406	9613007406	9613007405
2	4	Screw	9611993342	9611993342	9611990144
3	1	Air fitting	9611991988	9611991988	9611991988
3.1	1	Air fitting	9611991988	9611991988	9611991988
3.2	1	Air fitting	9611991988	9611991988	9611991988
4	1	Stop for upper piston	9613005301	9613005301	9613488301
5 •	1	O-ring, NBR	9611993499	9611993499	9611993499
6	1	Guide ring, Turcite	9613008408	9613008408	9613008408
7 •	1	O-ring, NBR	9611995099	9611995099	9611995099
8	1	Upper piston	9614032101	9614032101	9614032102
9 •	1	O-ring, NBR	9611995097	9611995097	9611995098
10	1	Spring assembly	9613007502	9613007502	9613025607
11	1	Distance spacer			9613010207
12	1	Pin	9611994198	9611994198	9611994199
13	1	Washer	9611993595	9611993595	9611993596
14	1	Spring assembly	9613009504	9613009504	9613009504
15	1	Plug	9613414101	9613414101	9613414101
16	1	Cylinder	9613005113	9613005113	9613015027
17	1	Main piston	9614032201	9614032201	9614032202
18	1	Guide ring, Turcite	9613008410	9613008410	9613008411
19 •	1	O-ring, NBR	9611993507	9611993507	9611993509
20 •	1	O-ring, NBR	9611993607	9611993607	9611993607
21	1	Bottom	9613005401	9613005401	9613016801
22	1	Guide ring, Turcite	9613008404	9613008404	9613008404
23 •	1	O-ring, NBR	9611991489	9611991489	22340675
24	1	Retaining ring	9613024803	9613024803	9613024804
25	1	Cover disk	9613005803	9613005803	9613005804
26	1	O-ring, NBR	9611993495	9611993495	9611993530
27	1	Inner stem	9613007301	9613007301	9613007305
28 •	1	O-ring	9611990030	9611990030	9611990030
29	1	Piston rod	9613006006	9613006006	9613006005
30	1	Lower piston	9613005501	9613005501	9613016601
31 •	1	O-ring, NBR	42153	42153	42153
32	1	Guide ring, Turcite	9613008406	9613008406	9613008407
33 •	1	O-ring, NBR	9611993508	9611993508	9611993510
34	3	Bolt	9611995392	9611995392	9611995392
35	2	Washer	9611993594	9611993594	9611993594
35.1	1	Washer	9611992559	9611992559	9611992559
36	3	Nut	9611990360	9611990360	8010001387
41	1	Flushing tube	9614030801	9614030801	9614030802
42	1	Spindle liner	9614030701	9614030701	9614030701
43	2	Clamp	9614030601	9614030601	9614030601
		Actuator diameter		Ø157	Ø186
		Actuator type		4-TO Basic	6-TO Basic
		Connection size*		2.5" + 3"	6-TO Strong
					4"
•		Actuator service kit, part no.		9611928349	9611928350



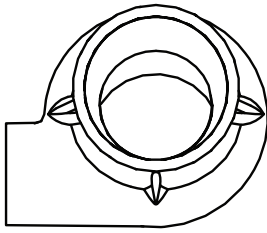
2317-0009_2

Parts

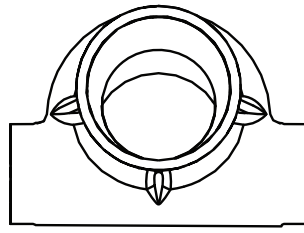
Pos	Qty	Denomination	2½"	3"	4"
			Seat ø81.3	Seat ø81.3	Seat ø115.3
44	1	Lock	9614030501	9614030501	9614030502
45	1	Guide ring, PTFE	9613008417	9613008417	9613008417
60	2	Hexnut	9613023201	9613023201	9613023201
64	2	Clamp without nut	9613021601	9613021601	9614076601
85	1	O-ring	9611990092	9611990092	9611990092
86	1	Plug for actuator	9613099002	9613099002	9613099002
87	1	O-ring	9611994599	9611994599	9611994599
93	1	Tank plug	9614007901	9614006601	9614008201
94	1	Balance plug	9614010701	9614009301	9614011001
105	1	Upper sealing element	9613006403	9613006403	9613018803
107	1	Sealing element	9614001301	9614001301	9614001401
109	1	Guide ring, PTFE	9613466108	9613466108	9613466109
112	1	Rotating nozzle	9614010101	9614010101	9614010101
113	1	Lockring rotating nozzle	9614010201	9614010201	9614010201
114	1	Rotating nozzle	9614007101	9614007101	9614007101
115	2	Guidering rotating nozzle	9614007201	9614007201	9614007201
116	1	Pipe	9614007302	9614007303	9614007304
117	1	Spindle	9614007401	9614007401	9614007401
119	1	Clamp	210042	210042	9634048982
139	1	Clamp ferrule	610373	610373	9634049938

900-636/6

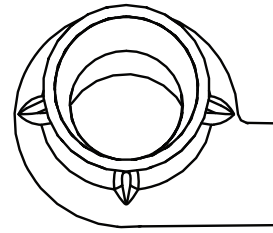
TR



TC

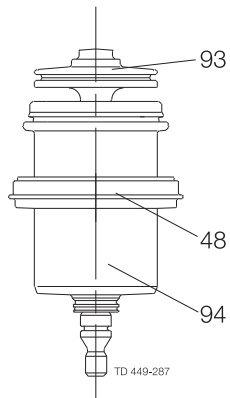


TL



2317-0006

Service kits



TD 449-287

Service kits

Pos	Qty	Denomination	2½" Seat ø81.3	3" Seat ø81.3	4" Seat ø115.3
37	1	Intermediate piece	9613019123	9613019123	9613019217
111	1	Valve body, TC, clamp end	9614197603	9614197609	9614197615
	1	Valve body, TC, welding end	9614197606	9614197612	9614197618
106	1	Vent body	9614197802	9614197803	9614197804

Service kits

2½" + 3"

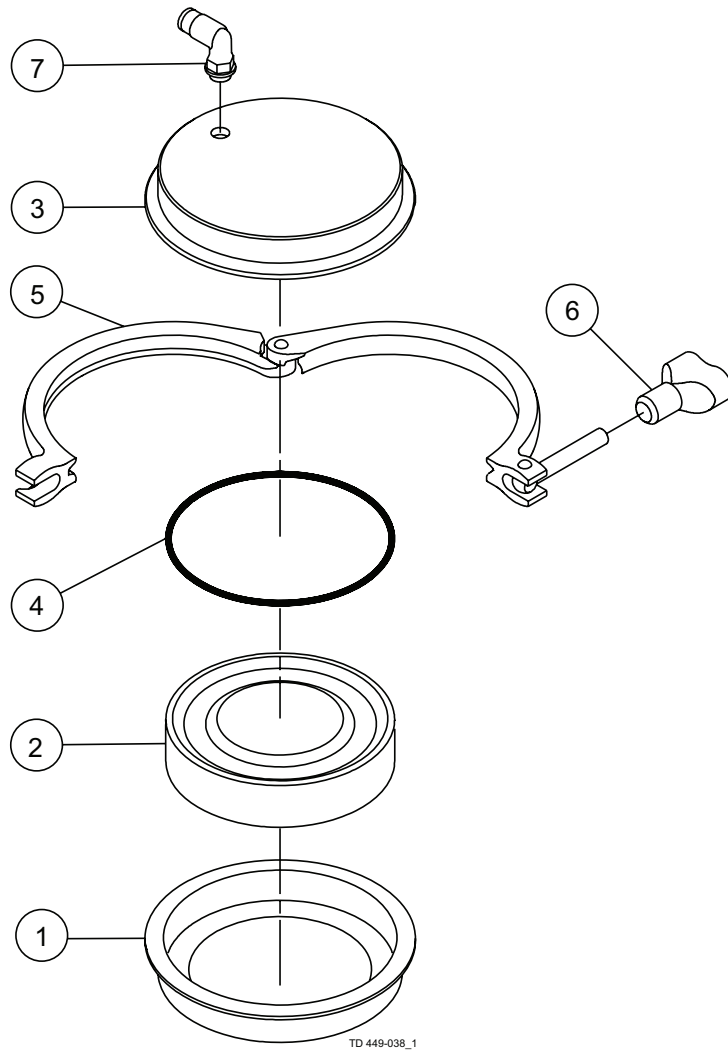
Service kit, EPDM	9611926881
Service kit, NBR	9611926882
Service kit, HNBR	9611926883
Service kit, FPM	9611926884

4"

Service kit, EPDM	9611926885
Service kit, NBR	9611926886
Service kit, HNBR	9611926887
Service kit, FPM	9611926888

NOTE!

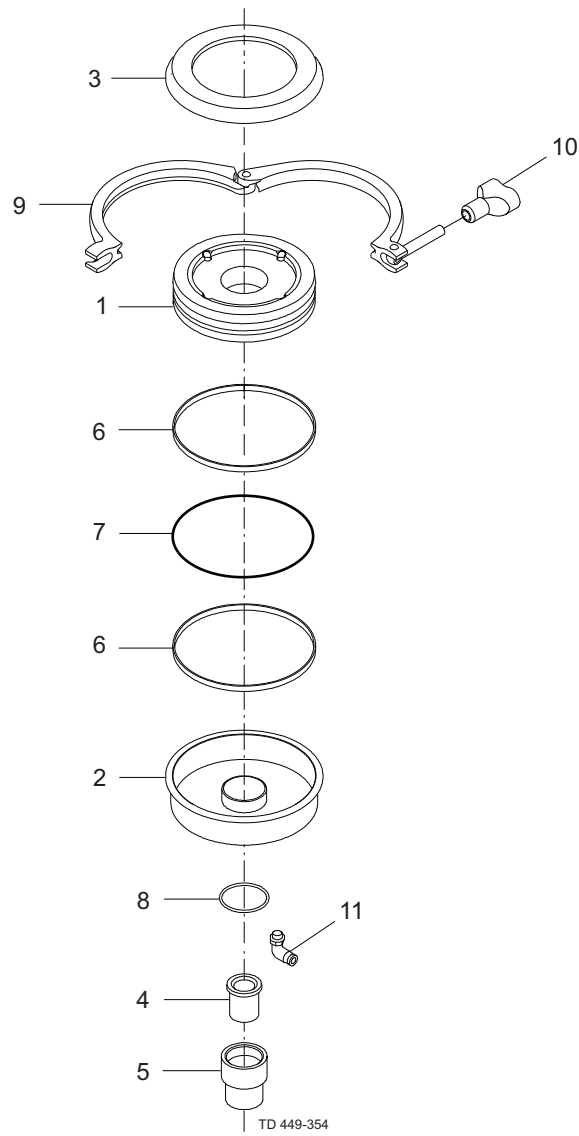
All FPM service kits are supplied with EPDM seal ring, pos. 74.



Axial installation tool

Pos	Qty	Denomination	2"	3"	4"	6"
			2½" Seat ø81.3	Seat ø81.3	Seat ø115.3	Seat ø206.1
		Complete tool	9613050502	9614079201	9613050503	9613050510
1	1	Lower part				
2	1	Piston				
3	1	Upper part				
4	1	O-ring, NBR	9611993703	9611993703	9611993349	9611995169
5	1	Clamp				
6	1	Wingnut				
7	1	Air fitting				

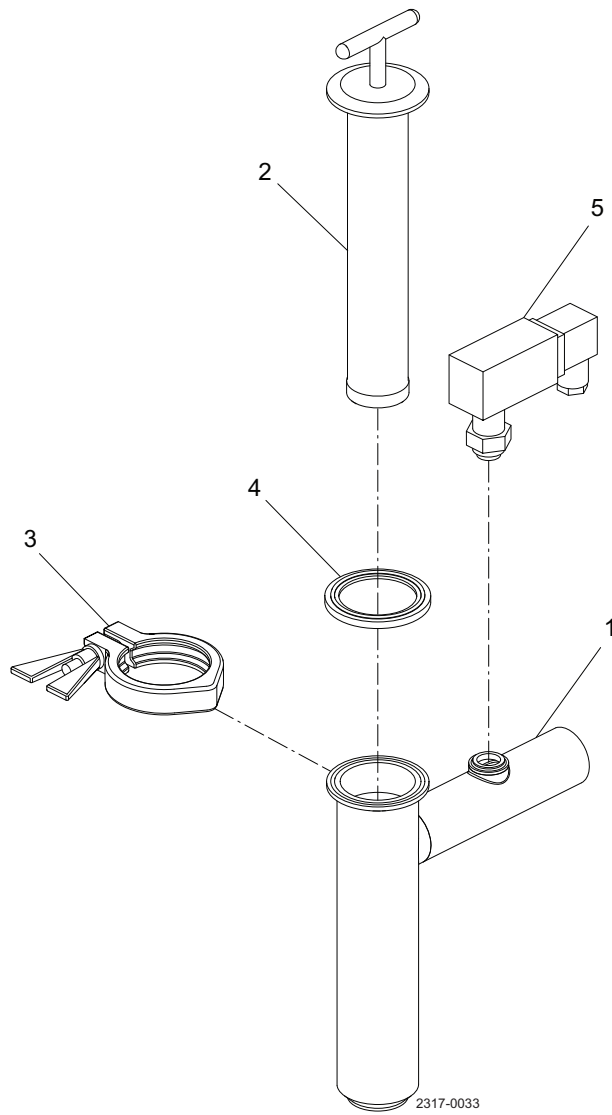
TD900-669/1



Radial installation tool

Pos	Qty	Denomination	2"	4"	6"
			2½"	3"	3"
			Seat ø81.3	Seat ø115.3	Seat ø206.1
		Complete tool	9614078801	9614078802	9614078803
1	1	Piston			
2	1	Lower part			
3	1	Upper part			
4	1	Bushing			
5	1	Guide			
6	2	Guide ring	9613008422	9613008422	9613008430
7	1	O-ring, NBR	9611993349	9611993349	9611995169
8	1	O-ring, NBR	9611993705	9611993705	9611993705
9	1	Clamp			
10	1	Wingnut			
11	1	Air fitting			

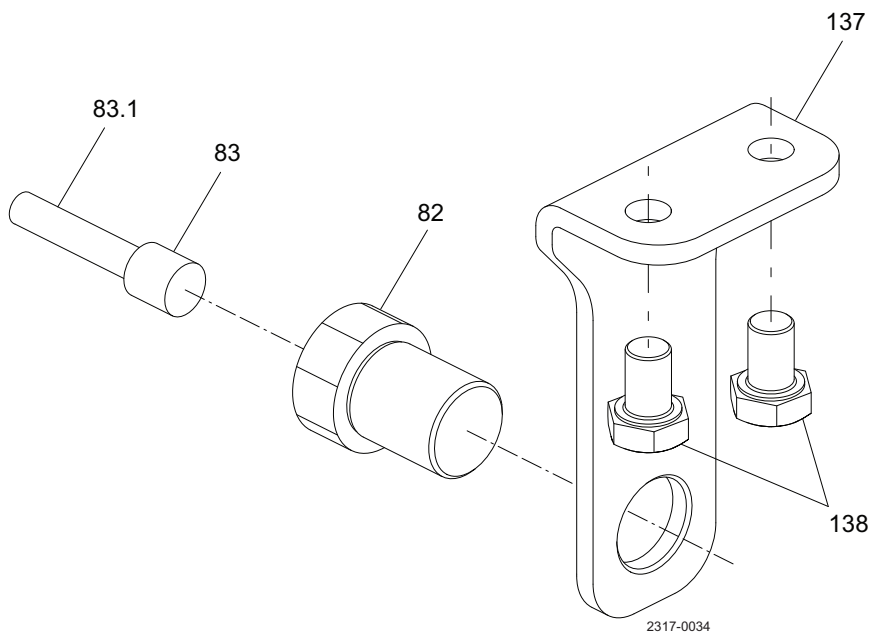
TD900-670/1



CIP validation kit

Pos	Qty	Denomination
1	1	Filter house
3	1	Clamp ring 9611994454
4	1	Gasket 9611990767

900-649



Sensor kit

Pos	Qty	Denomination	2½"-4"	6"
82	1	Bolt for indication	9613092603	9613092603
83	1	Sensor for indication	9611994916	9611994916
83.1	1	Cable for sensor for indication	9611994915	9611994915
137	1	Indication bracket	N/A	9614046401
138	2	Screw for indication bracket	N/A	9611992105

900-639

How to contact Alfa Laval

Contact details for all countries are continually updated on our website.

Please visit www.alfalaval.com to access the information directly.

© Alfa Laval Corporate AB

This document and its contents is owned by Alfa Laval Corporate AB and protected by laws governing intellectual property and thereto related rights. It is the responsibility of the user of this document to comply with all applicable intellectual property laws. Without limiting any rights related to this document, no part of this document may be copied, reproduced or transmitted in any form or by any means (electronic, mechanical, photocopying, recording, or otherwise), or for any purpose, without the expressed permission of Alfa Laval Corporate AB. Alfa Laval Corporate AB will enforce its rights related to this document to the fullest extent of the law, including the seeking of criminal prosecution.