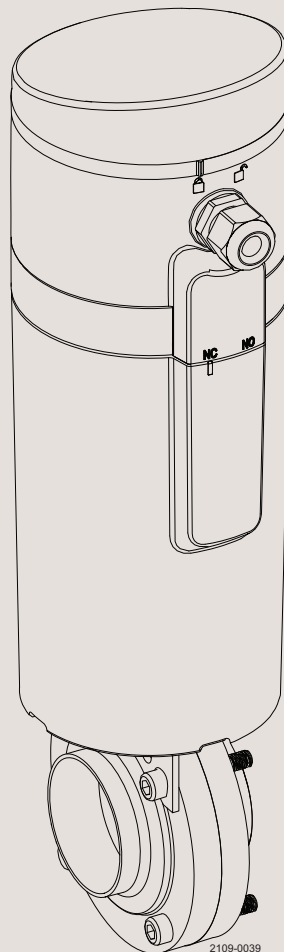




Spare Parts

Unique Control for Butterfly Valves

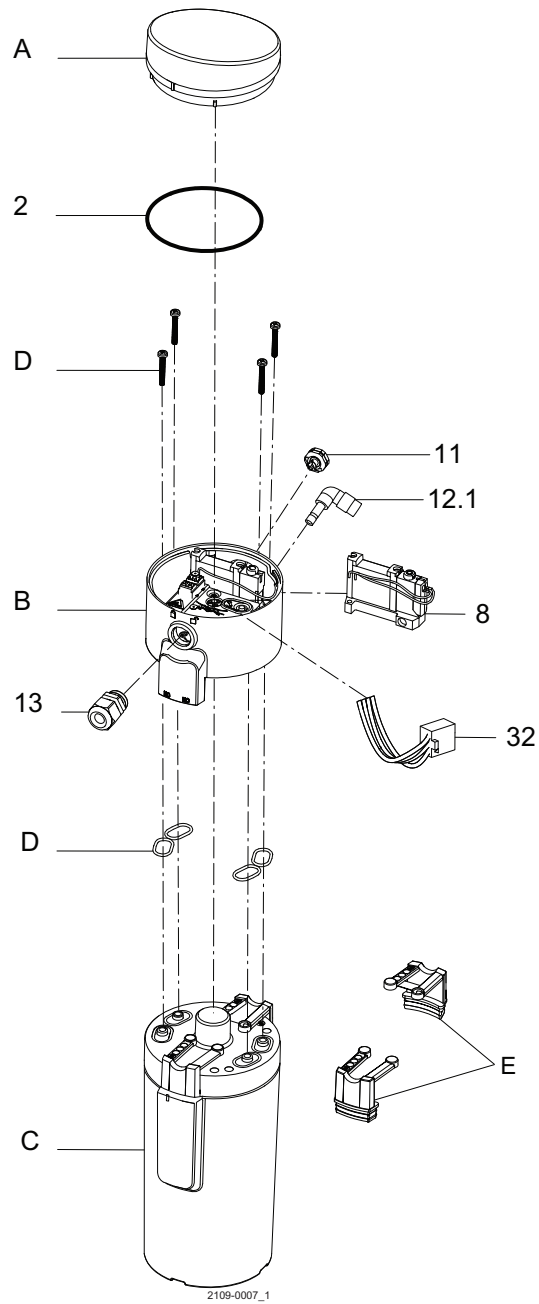


ESE02188-EN5 2020-09

Original manual

The information herein is correct at the time of issue but may be subject to change without prior notice

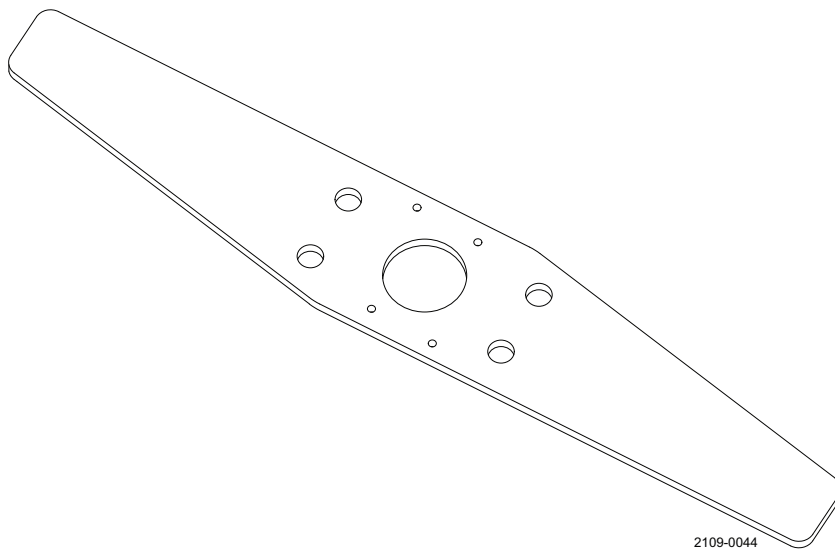
1. Unique Control for Butterfly Valves	4
2. Unique Control Tool	6



Unique Control for Butterfly Valves

Pos	Qty	Denomination	Digital	ASI v.2.11	ASI v.3.0
A		Top incl. prism and O-rings	9614091101	9614091101	9614091101
2	1	O-ring	9611995306	9611995306	9611995306
B		Base, cpl., with solenoid	9614090402	9614090401	9614090406
		Base, cpl., without solenoid	9614090409	9614090408	9614090410
8	1	Solenoid valve, cpl.	9614080301	9614080301	9614080301
11	1	Gore Vent	9611994722	9611994722	9611994722
12.1	1	Air-fitting, ø6mm	9611995678	9611995678	9611995678
	1	Air-fitting, 1/4"	9611995679	9611995679	9611995679
13	1	Cable gland PG9	9611995218	9611995218	9611995218
C		Cylinder, cpl.	9614080401	9614080401	9614080401
D		Screws and O-rings	9614180701	9614180701	9614180701
E		Rubber plugs with instruction	9614091201	9614091201	9614091201
32		Pressure sensor incl. cable for print	8010000700	8010000700	8010000700

900612/4



2109-0044

Unique Control Tool

Pos	Qty	Denomination
	1	Tool 9614193501

TD900628

How to contact Alfa Laval

Contact details for all countries are continually updated on our website.

Please visit www.alfalaval.com to access the information directly.

© Alfa Laval Corporate AB

This document and its contents is owned by Alfa Laval Corporate AB and protected by laws governing intellectual property and thereto related rights. It is the responsibility of the user of this document to comply with all applicable intellectual property laws. Without limiting any rights related to this document, no part of this document may be copied, reproduced or transmitted in any form or by any means (electronic, mechanical, photocopying, recording, or otherwise), or for any purpose, without the expressed permission of Alfa Laval Corporate AB. Alfa Laval Corporate AB will enforce its rights related to this document to the fullest extent of the law, including the seeking of criminal prosecution.