



## Spare Parts

### Tank Covers - Rectangular Type R

ESE03461-EN6    2021-07

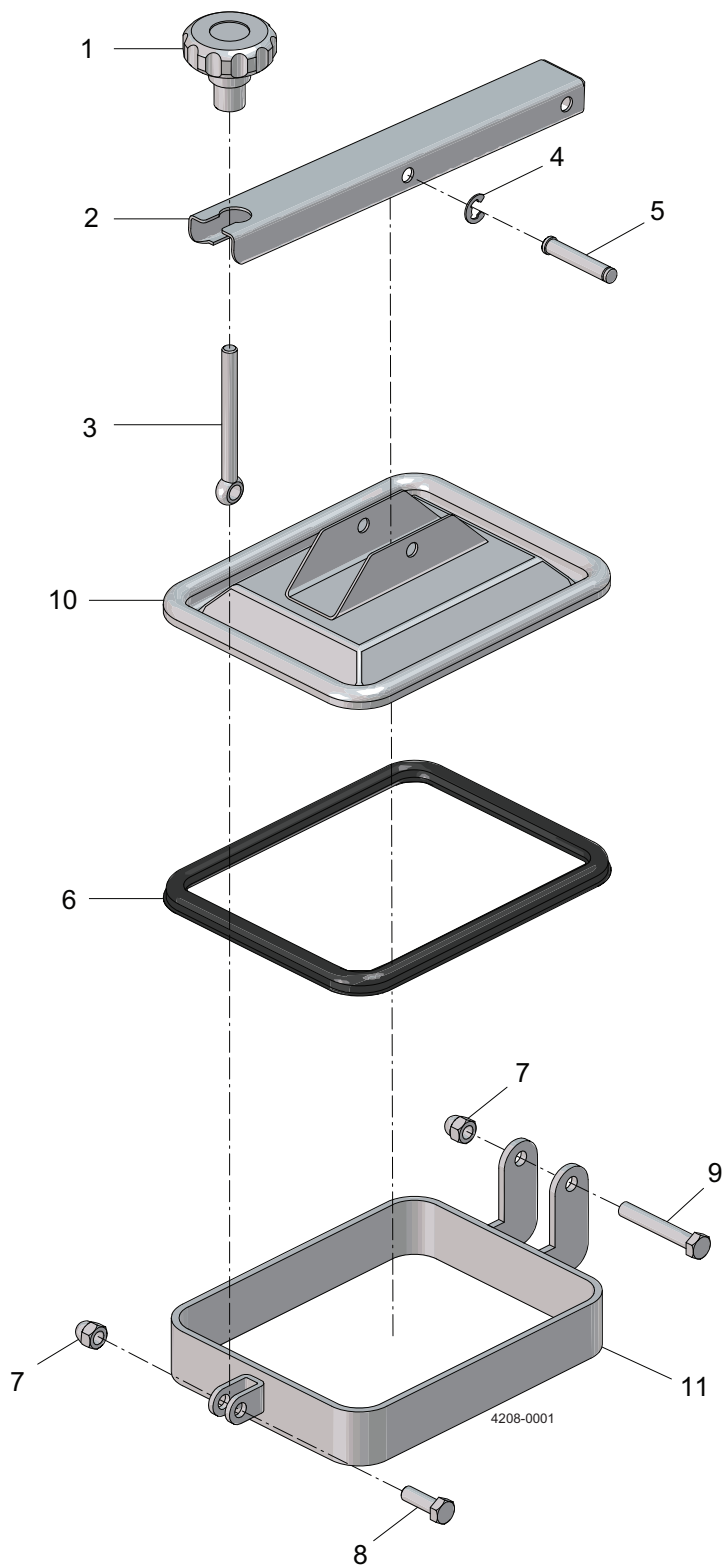
Original manual



---

*The information herein is correct at the time of issue but may be subject to change without prior notice*

- 1. Rectangular Type R-235x185 (Previously R-184x234) ..... 4
- 2. Rectangular Type R-440x332 ..... 6
- 3. Rectangular Type R-432x555 (Previously R-555x432) ..... 8
- 4. Rectangular Type R-332x440 ..... 10
- 5. Rectangular Type R-555x432 (Previously R-432x555) ..... 12



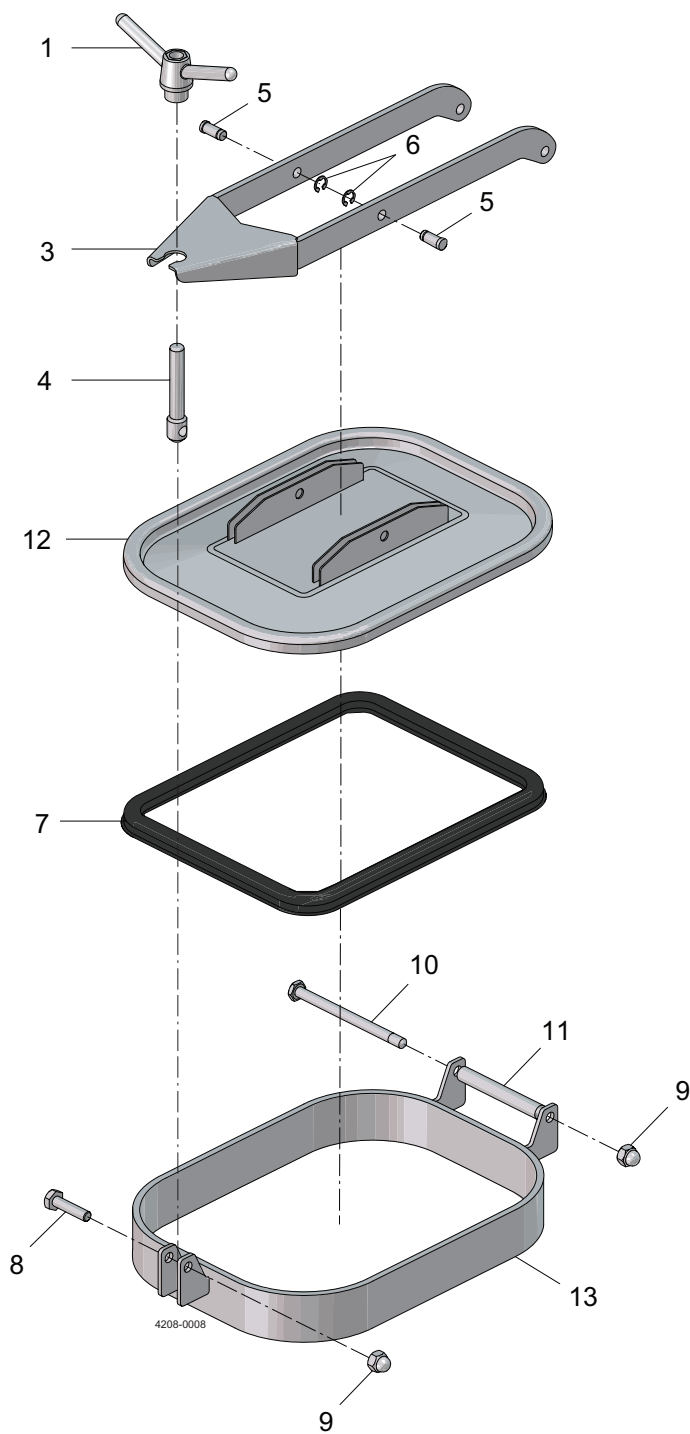
**Rectangular Type R-235x185 (Previously R-184x234)**

---

Pos	Qty	Denomination	1.4301 (304)	1.4404 (316L)
<b>Rectangular Manhole Cover R-235x185 (Previously R-184x234)</b>				
1	1	V-Handle SS .....	9614458404	9614458404
	1	Round handle plastic .....	9612990794	9612990794
2	1	Toggle .....	9614209301	9614209301
3	1	Swing bolt .....	9614200101	9614200101
4	1	Retaining ring .....	9614210701	9614210701
5	1	Pin .....	9614210202	9614210202
6	1	Seal - EPDM .....	9612945005	9612945005
	1	Seal - NBR .....	9612945007	9612945007
	1	Seal - FPM .....	9612990719	9612990719
	1	Seal - Silicone (Q) .....	9612990718	9612990718
7	2	Nut .....	9614210506	9614210506
8	1	Screw .....	9614210405	9614210405
9	1	Screw .....	9614210413	9614210413
10	1	Cover .....	9614212001	9614212002
11	1	Frame .....	9614215101	9614215102

Recommended spare parts: Pos. 6.

TD 4208-0001



**Rectangular Type R-440x332**

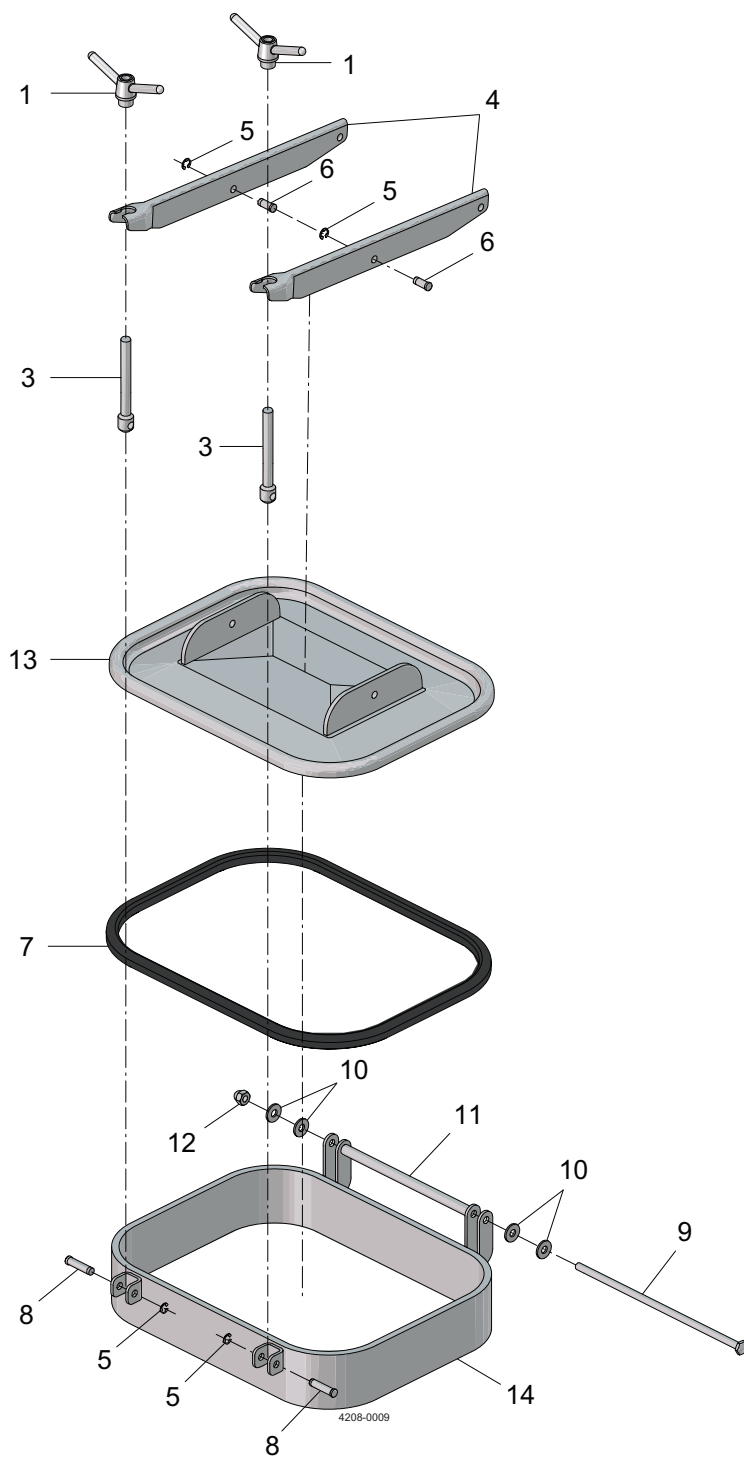
---

Pos	Qty	Denomination	1.4301 (304)	1.4404 (316L)
<b>Rectangular Manhole Cover R-440x332</b>				
1	1	Handle .....	8010008194	8010008194
2	1	Washer* .....	9611995390	9611995390
3	1	Toggle .....	9614209302	9614209302
4	1	Swing bolt .....	9614210008	9614210008
5	2	Pin .....	9614210205	9614210205
6	2	Retaining ring .....	9613437762	9613437762
7	1	Seal - EPDM .....	9612945071	9612945071
	1	Seal - NBR .....	9612945073	9612945073
	1	Seal - FPM .....	9612990768	9612990768
	1	Seal - Silicone (Q) .....	9612990767	9612990767
	1	Screw .....	9614210411	9614210411
8	1	Screw .....	9614210411	9614210411
9	2	Nut .....	9614210505	9614210505
10	2	Screw .....	9614210101	9614210101
11	1	Distance tube .....	9614211001	9614211001
12	1	Cover .....		
13	1	Frame 60mm .....		
14	1	Frame 100mm .....		

\* Only valid for handles available before April 2021

Recommended spare parts: Pos. 7.

TD 4208-0004





**Rectangular Type R-432x555 (Previously R-555x432)**

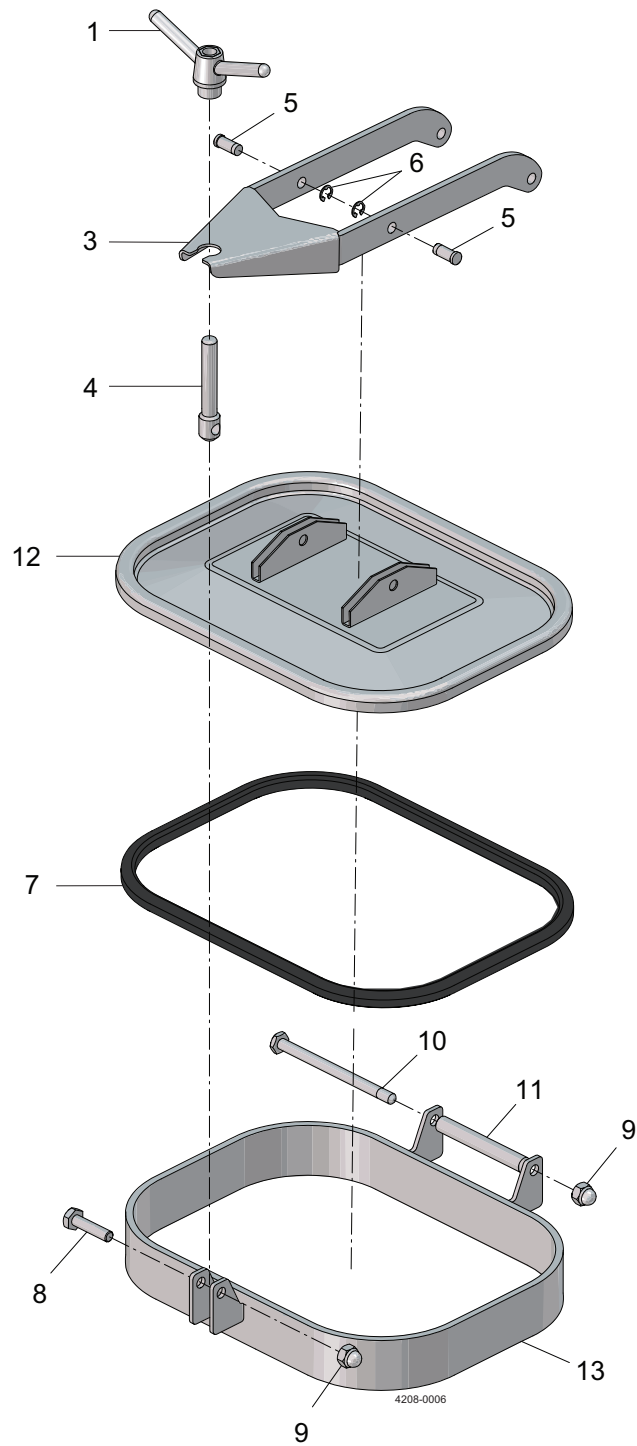
---

Pos	Qty	Denomination	1.4301 (304)	1.4404 (316L)
<b>Rectangular Manhole Cover R-432x555 (Previously R-555x432)</b>				
1	2	Handle .....	8010008194	8010008194
2	2	Washer* .....	9611995390	9611995390
3	2	Swing bolt .....	9614210009	9614210009
4	2	Toggle .....	9614209306	9614209306
5	4	Retaining ring .....	9613437762	9613437762
6	2	Pin .....	9614210205	9614210205
7	2	Seal - EPDM, from 04-2010 .....	9612990857	9612990857
8	2	Pin .....	9614210206	9614210206
9	2	Spindle .....	9614210103	9614210103
10	1	Washer .....	9614210810	9614210810
11	4	Distance tube .....	9614211003	9614211003
12	1	Nut .....	9614200124	9614200124
13	1	Cover .....		
14	1	Frame, 60mm .....		
	1	Frame, 60mm .....		

\* Only valid for handles available before April 2021

Recommended spare parts: Pos. 7.

TD 4208-0005



**Rectangular Type R-332x440**

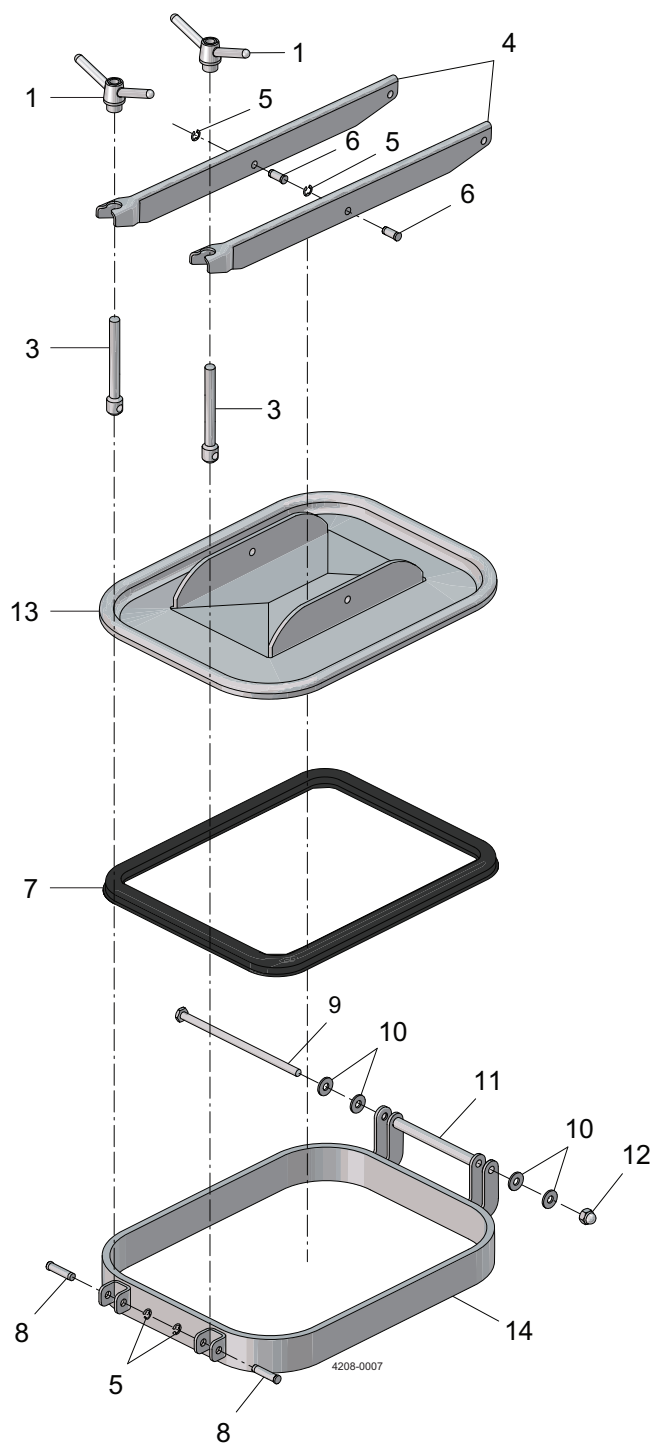
---

Pos	Qty	Denomination	1.4301 (304)	1.4404 (316L)
<b>Rectangular Manhole Cover R-332x440</b>				
1	1	Handle .....	8010008194	8010008194
2	1	Washer* .....	9611995390	9611995390
3	1	Toggle .....	9614209304	9614209304
4	1	Swing bolt .....	9614210008	9614210008
5	2	Pin .....	9614210205	9614210205
6	2	Retaining ring .....	9613437762	9613437762
7	1	Seal - EPDM .....	9612945071	9612945071
	1	Seal - NBR .....	9612945073	9612945073
	1	Seal - FPM .....	9612990768	9612990768
	1	Seal - Silicone (Q) .....	9612990767	9612990767
	1	Screw .....	9614210411	9614210411
8	1	Screw .....	9614210411	9614210411
9	2	Nut .....	9614210505	9614210505
10	1	Screw .....	9614210101	9614210101
11	1	Distance tube .....	9614211001	9614211001
12	1	Cover .....		
13	1	Frame 60mm .....		
	1	Frame 100mm .....		

\* Only valid for handles available before April 2021

Recommended Spare Parts: Pos. 7

TD 4208-0002



**Rectangular Type R-555x432 (Previously R-432x555)**

Pos	Qty	Denomination	1.4301 (304)	1.4404 (316L)
<b>Rectangular Manhole Cover R-555x432 (Previously R-432x555)</b>				
1	2	Handle .....	8010008194	8010008194
2	2	Washer* .....	9611995390	9611995390
3	2	Swing bolt .....	9614210009	9614210009
4	2	Toggle .....	9614209307	9614209307
5	3	Retaining ring .....	9613437762	9613437762
6	2	Pin .....	9614210205	9614210205
7	1	Seal - EPDM, from 04-2010 .....	9612990857	9612990857
	1	Seal - NBR, from 04-2010 .....	9612990856	9612990856
	1	Seal - FPM, from 04-2010 .....	9612990860	9612990860
	1	Seal - Silicone (Q), from 04-2010 .....	9612990859	9612990859
	1	Seal - EPDM, until 04-2010 .....	9612945008	9612945008
	1	Seal - NBR, until 04-2010 .....	9612945010	9612945010
	1	Seal - FPM, until 04-2010 .....	9612990705	9612990705
	1	Seal - Silicone (Q), until 04-2010 .....	9612990704	9612990704
	8	2	Pin .....	9614210206
9	2	Screw .....	9614210102	9614210102
10	1	Washer .....	9614210810	9614210810
11	4	Distance tube .....	9614211002	9614211002
12	1	Nut .....	9614200124	9614200124
	1	Frame, 60mm, T1=12mm .....		
	1	Frame, 100mm, T1=8mm .....		
	1	Frame, 100mm, T1=12mm .....		

\* Only valid for handles available before April 2021

Recommended spare parts: Pos. 7.

TD 4208-0003

**How to contact Alfa Laval**

Contact details for all countries are continually updated on our website.

Please visit [www.alfalaval.com](http://www.alfalaval.com) to access the information directly.

© Alfa Laval Corporate AB

This document and its contents is owned by Alfa Laval Corporate AB and protected by laws governing intellectual property and thereto related rights. It is the responsibility of the user of this document to comply with all applicable intellectual property laws. Without limiting any rights related to this document, no part of this document may be copied, reproduced or transmitted in any form or by any means (electronic, mechanical, photocopying, recording, or otherwise), or for any purpose, without the expressed permission of Alfa Laval Corporate AB. Alfa Laval Corporate AB will enforce its rights related to this document to the fullest extent of the law, including the seeking of criminal prosecution.