



Spare Parts

Tank Covers - Circular Type C

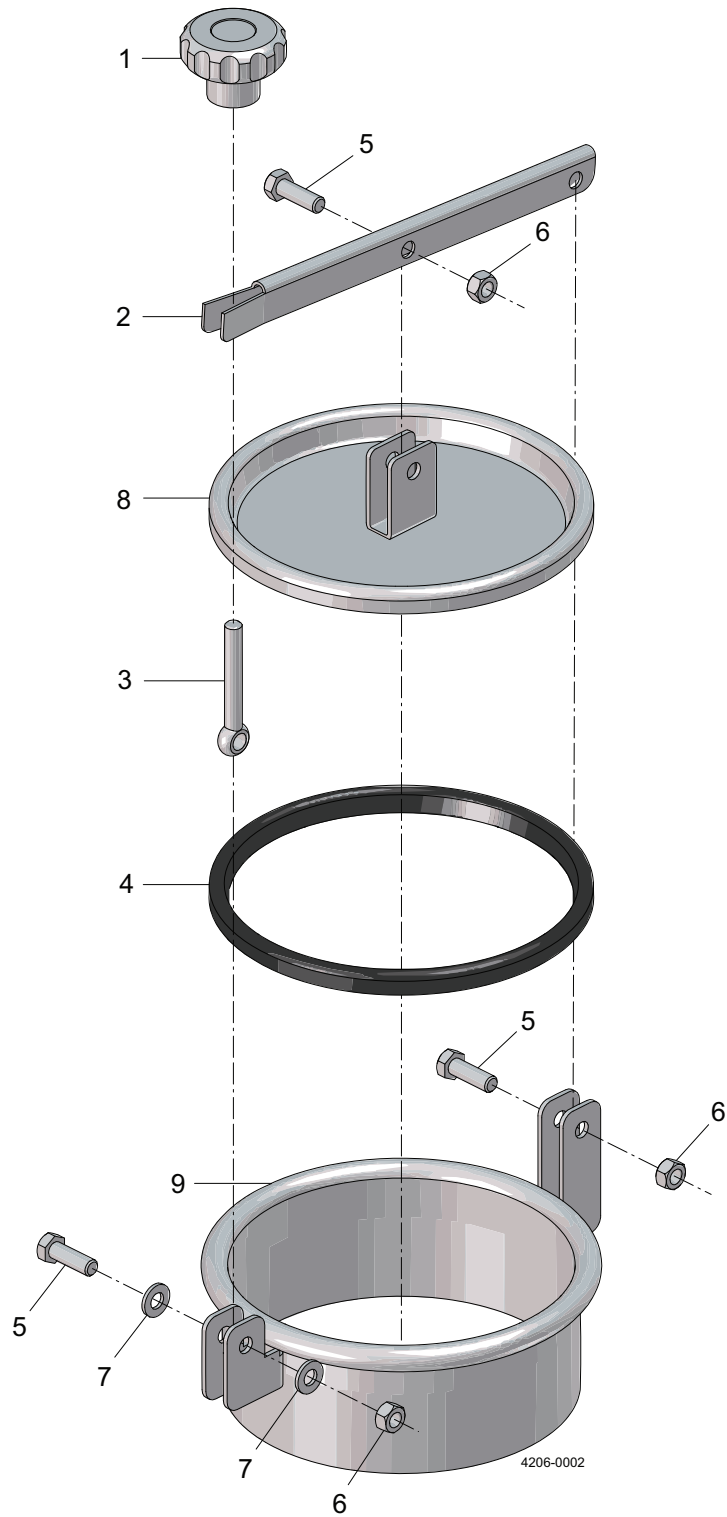
100001081-EN4 2121-07

Original manual

Table of contents

The information herein is correct at the time of issue but may be subject to change without prior notice

1. Circular Type C-202	4
2. Circular Type C-202A	6
3. Circular Type C-202B	8
4. Circular Type C-306	10
5. Circular Type C-404	12
6. Circular Type C-404AH4	14
7. Circular Type C-404ASB	16
8. Circular Type C-404BSB	18
9. Circular Type C-404CC	20
10. Circular Type C-404H6	22
11. Circular Type C-404SB	24
12. Circular Type C-418	26
13. Circular Type C-454	28
14. Circular Type C-454A	30
15. Circular Type C-454SB	32
16. Circular Type C-518 (Preciously C-520)	34
17. Circular Type C-518A (Previously C-520A)	36
18. Circular Type C-518MH	38
19. Circular Type C-518SB	40
20. Circular Type C-518SBAR (Previously C-520SB)	42
21. Circular Type C-620A	44
22. Circular Type C-620SB	46

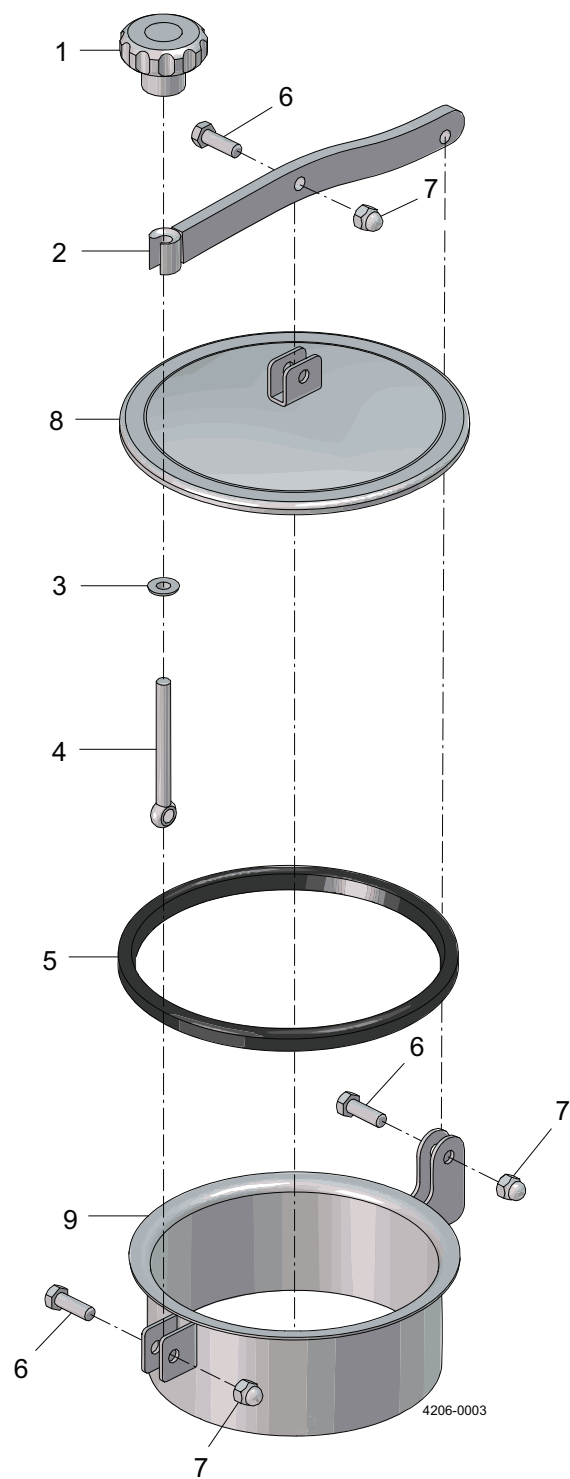


Circular Type C-202

Pos	Qty	Denomination	1.4301 (304)	1.4404 (316L)
Circular Manhole Cover C-202				
1	1	Handle	9612990793	9612990793
	1	Handle Stainless	9613407201	9613407201
2	1	Toggle	9614209314	9614209314
3	1	Swing Bolt	9614210001	9614210001
4	1	Seal - EPDM	9612945034	9612945034
	1	Seal - NBR	9612945036	9612945036
	1	Seal - FPM	9612990736	9612990736
	1	Seal - Silicone (Q)	9612990735	9612990735
5	3	Screw	9614210405	9614210405
6	3	Nut	9614210506	9614210506
7	2	Washer	9614210802	9614210802
8	1	Frame, 85mm		
	1	Frame, 150mm		
9	1	Cover		

Recommended spare parts: Pos. 4.

TD 4206-0002

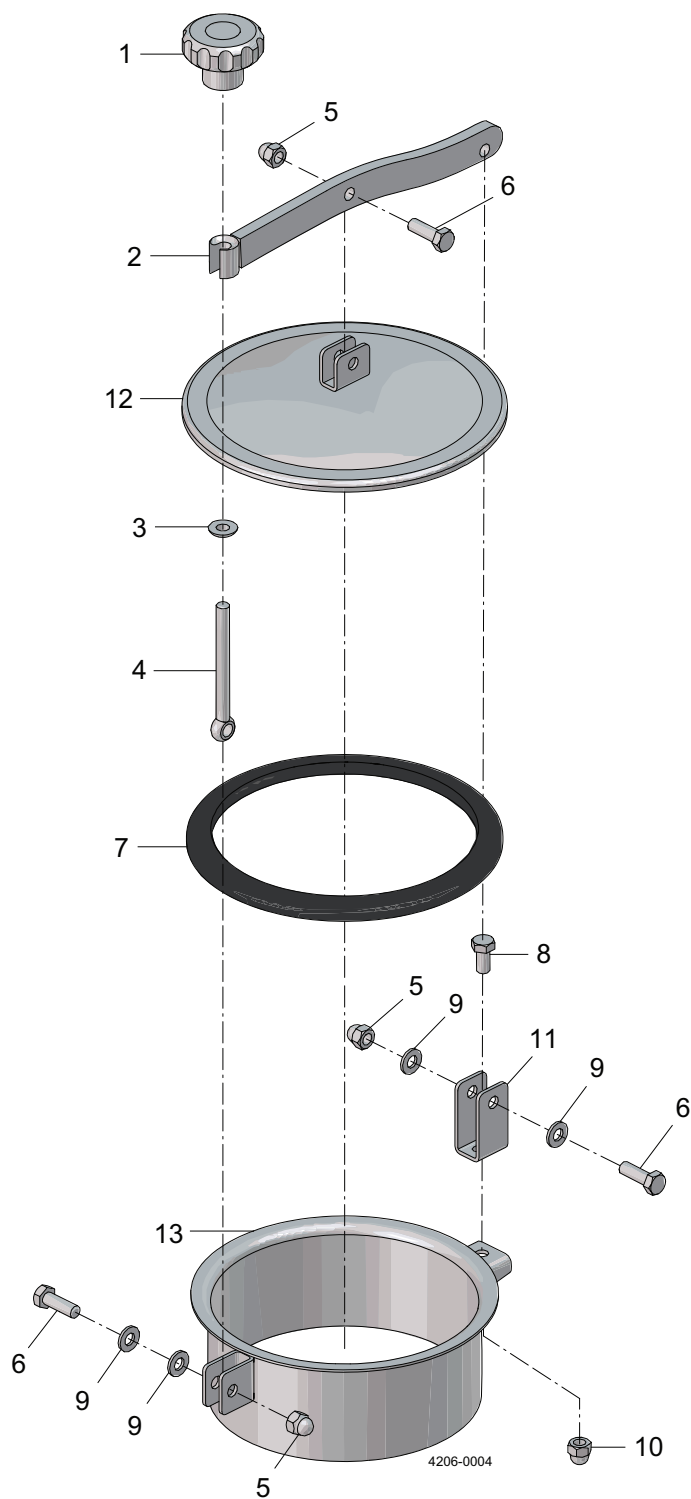


Circular Type C-202A

Pos	Qty	Denomination	1.4301 (304)	1.4404 (316L)
Circular Manhole Cover C-202A				
1	1	Handle	9612990793	9612990793
	1	Handle Stainless	9613407201	9613407201
2	1	Toggle	9614209315	9614209315
3	1	Washer	9614210807	9614210807
4	1	Swing bolt	9614200101	9614200101
5	1	Seal EPDM	9613437705	9613437705
	1	Seal NBR	9613437706	9613437706
	1	Seal FPM	9613437707	9613437707
	1	Seal SILICONE (Q)	9613437708	9613437708
6	3	Screw	9614210405	9614210405
7	3	Nut	9614210506	9614210506
8	1	Cover		
9	1	Frame		

Recommended spare parts: Pos. 5.

TD 4206-0003

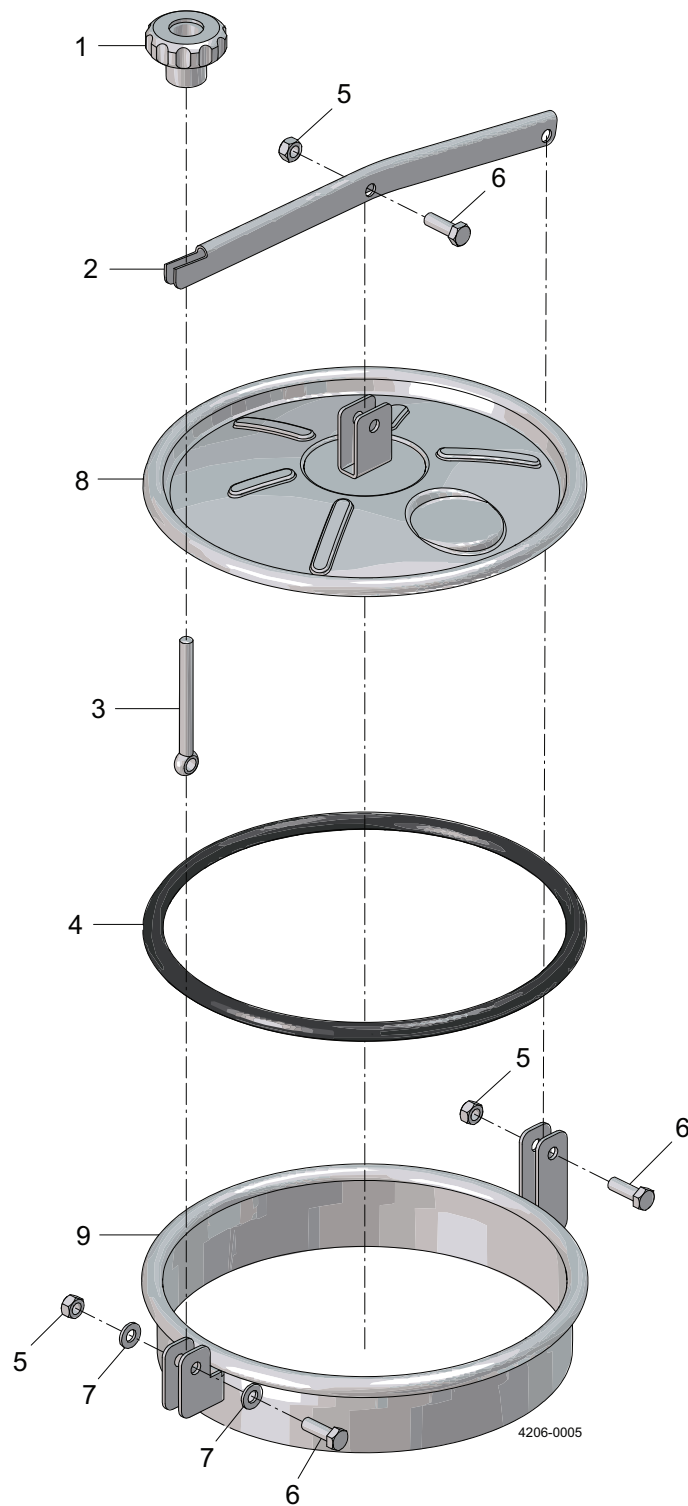


Circular Type C-202B

Pos	Qty	Denomination	1.4301 (304)	1.4404 (316L)
Circular Manhole Cover C-202B				
1	1	Handle	9612990793	9612990793
	1	Handle Stainless	9614210315	9614210315
2	1	Toggle	9614209315	9614209315
3	1	Washer	9614210807	9614210807
4	1	Swing bolt	9614200101	9614200101
5	3	Nut	9614210506	9614210506
6	3	Screw	9614210405	9614210405
7	1	Seal EPDM	9613437705	9613437705
	1	Seal NBR	9613437706	9613437706
	1	Seal FPM	9613437707	9613437707
	1	Seal SILICONE (Q)	9613437708	9613437708
8	1	Screw	9614210414	9614210414
9	4	Washer	9614210802	9614210802
10	1	Nut	9614210507	9614210507
11	1	U-Bracket	9614209604	9614209604
12	1	Cover	9614213201	9614213202
13	1	Frame, F=85mm		
	1	Frame, F=150mm		
	1	Frame, F=200mm		

Recommended spare parts: Pos. 7.

TD 4206-0004

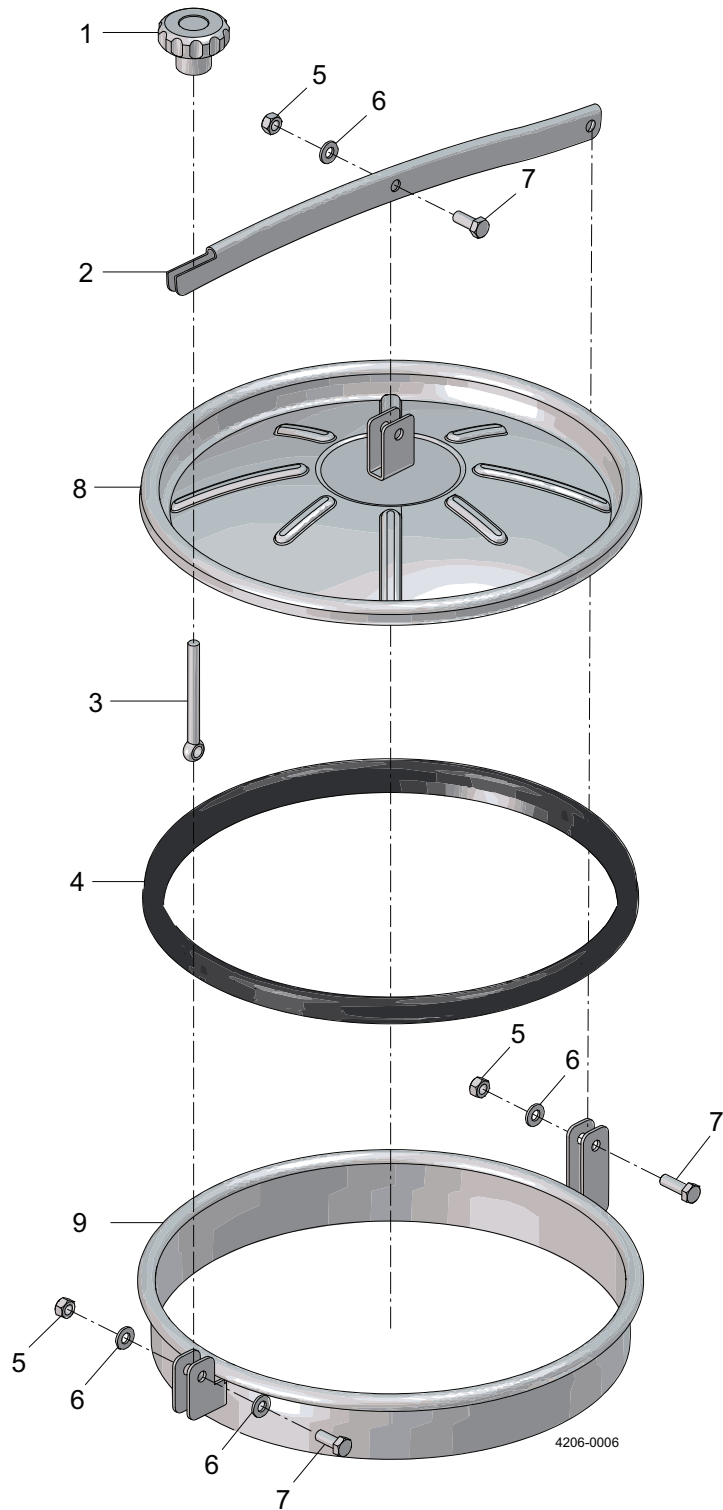


Circular Type C-306

Pos	Qty	Denomination	1.4301 (304)	1.4404 (316L)
Circular Manhole Cover C-306				
1	1	Handle	9612990793	9612990793
	1	Handle Stainless	9613407201	9613407201
2	1	Toggle	9614209317	9614209317
3	1	Swing bolt	9614200101	9614200101
4	1	Seal EPDM (201010-)	9612990770	9612990770
	1	Seal NBR (201010-)	9612990771	9612990771
	1	Seal FPM (201010-)	9612990773	9612990773
	1	Seal SILICONE (Q) (201010-)	9612990772	9612990772
	1	Seal EPDM (-201010)	9612945052	9612945052
	1	Seal NBR (-201010)	9612945054	9612945054
	1	Seal FPM (-201010)	9612990754	9612990754
	1	Seal SILICONE (Q) (-201010-)	9612990753	9612990753
5	3	Nut	9614210506	9614210506
6	3	Screw	9614210405	9614210405
7	2	Washer	9614210802	9614210802
8	1	Cover		
9	1	Frame 65mm		
	1	Frame 100mm		
	1	Frame 150mm		
	1	Frame 200mm		

Recommended spare parts: Pos. 4.

TD 4206-0005



Circular Type C-404

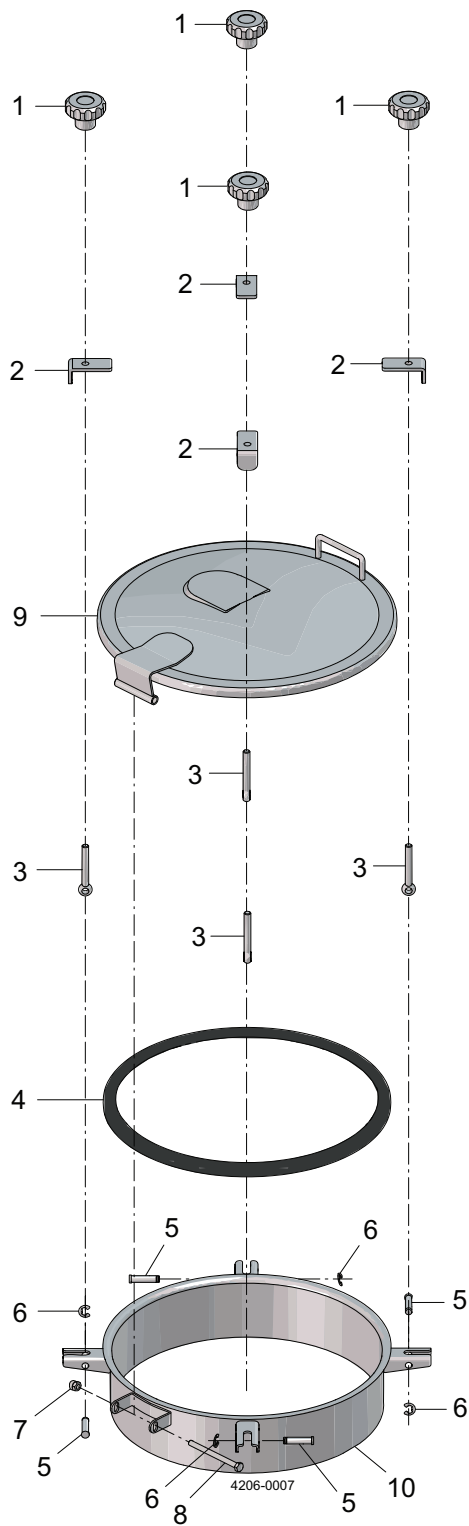
Pos	Qty	Denomination	1.4301 (304)	1.4404 (316L)
Circular Manhole Cover C-404				
1	1	Handle	9612990793	9612990793
	1	Handle Stainless	9613407201	9613407201
2	1	Toggle	9614209318	9614209318
3	1	Swing bolt	9614200101	9614200101
4	1	Seal EPDM	9612945019 ¹⁾	9612945019 ¹⁾
	1	Seal NBR	9612945021 ¹⁾	9612945021 ¹⁾
	1	Seal FPM	9612990727 ¹⁾	9612990727 ¹⁾
	1	Seal SILICONE (Q)	9613407236 ¹⁾	9613407236 ¹⁾
	1	Seal NBR		
	1	Seal EPDM	9614446206 ²⁾	9614446206 ²⁾
	1	Seal SILICONE (Q)	9614446207 ²⁾	9614446207 ²⁾
	1	Seal FPM	9614446208 ²⁾	9614446208 ²⁾
5	3	Nut	9614210506	9614210506
6	2	Washer	9614210802	9614210802
7	3	Screw	9614210405	9614210405
8	1	Cover		
9	1	Frame, 65mm		
	1	Frame, 100mm		
	1	Frame, 150mm		
	1	Frame, 200mm		

Recommended spare parts: Pos. 4.

¹⁾ For Covers from after September 2009

²⁾ For Covers from before September 2009

TD 4206-0006

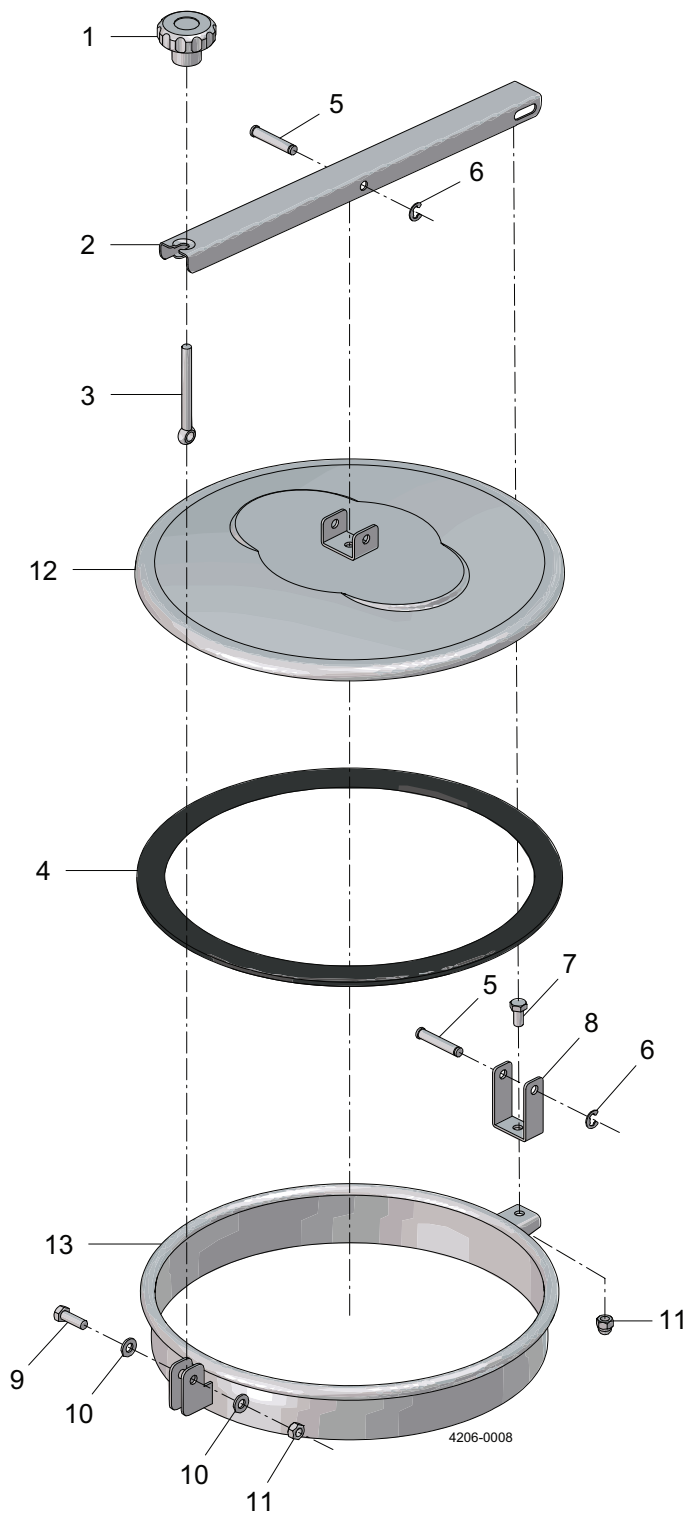


Circular Type C-404AH4

Pos	Qty	Denomination	1.4301 (304)	1.4404 (316L)
Circular Manhole Cover C-404AH4				
1	4	Handle	9612990793	9612990793
	4	Handle Wing	9614210316	9614210316
2	4	Swingbolt Bracket	9614209701	9614209701
3	4	Swing Bolt	9614210001	9614210001
4	1	Seal EPDM	9613437726	9613437726
	1	Seal NBR	9613437727	9613437727
	1	Seal FPM	9613437728	9613437728
	1	Seal SILICONE (Q)	9613437729	9613437729
5	4	Pin	9614210201	9614210201
6	4	Retaining ring	9614210701	9614210701
7	1	Nut	9614210507	9614210507
8	1	Screw	9614210402	9614210402
9	1	Cover		
10	1	Frame, 65mm		
	1	Frame, 100mm		

Recommended spare parts: Pos. 4.

TD 4206-0007

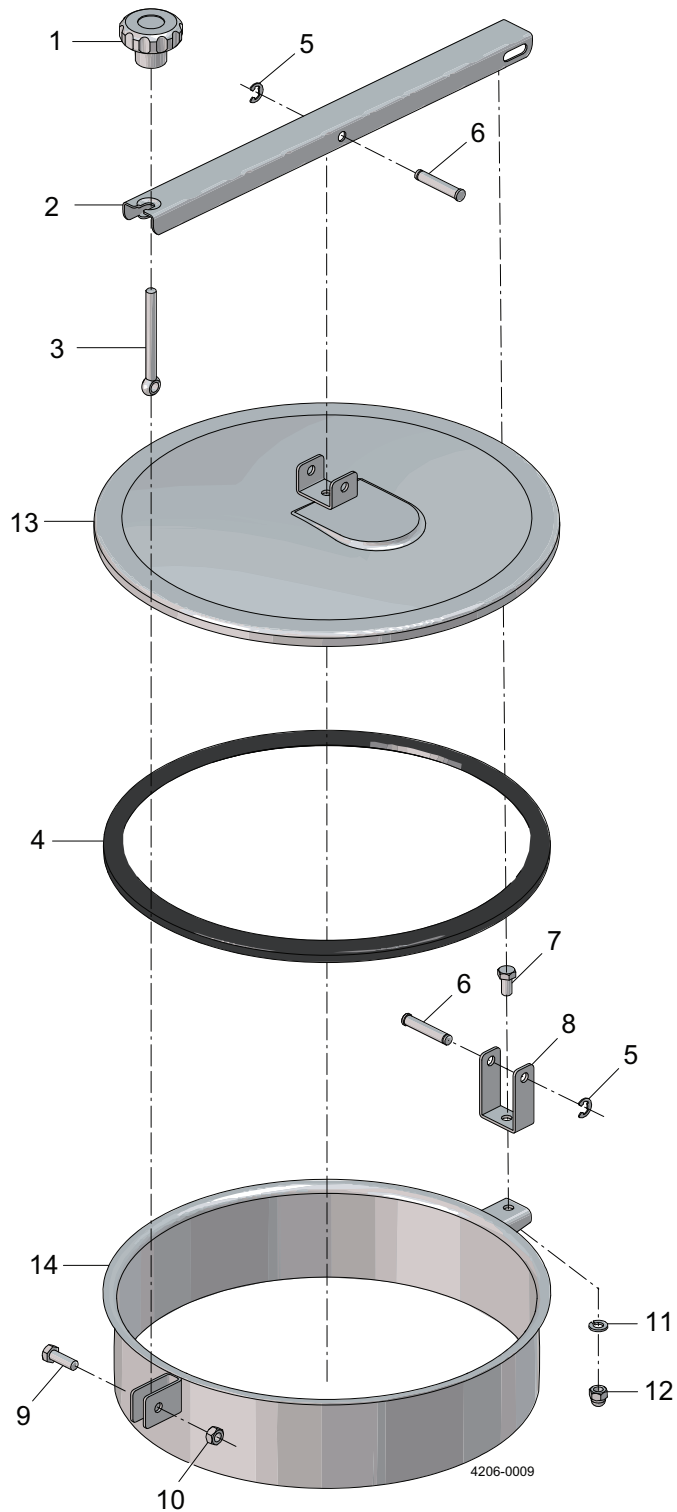


Circular Type C-404ASB

Pos	Qty	Denomination	1.4301 (304)	1.4404 (316L)
Circular Manhole Cover C-404ASB				
1	1	Handle	9612990793	9612990793
	1	Handle Stainless	9613407201	9613407201
2	1	Toggle	9614209319	9614209319
3	1	Swing bolt	9614200101	9614200101
4	1	Seal EPDM	9612990851	9612990851
	1	Seal NBR	9612990853	9612990853
	1	Seal FPM	9612990855	9612990855
	1	Seal SILICONE (Q)	9612990854	9612990854
5	2	Pin	9614210202	9614210202
6	2	Retaining ring	9614210701	9614210701
7	1	Screw	9614210403	9614210403
8	1	U-Bracket	9614209601	9614209601
9	1	Screw	9614210405	9614210405
10	2	Washer	9614210802	9614210802
11	2	Nut	9614210506	9614210506
12	1	Cover		
13	1	Frame, 65mm		
	1	Frame, 100mm		

Recommended spare parts: Pos. 4.

TD 4206-0008

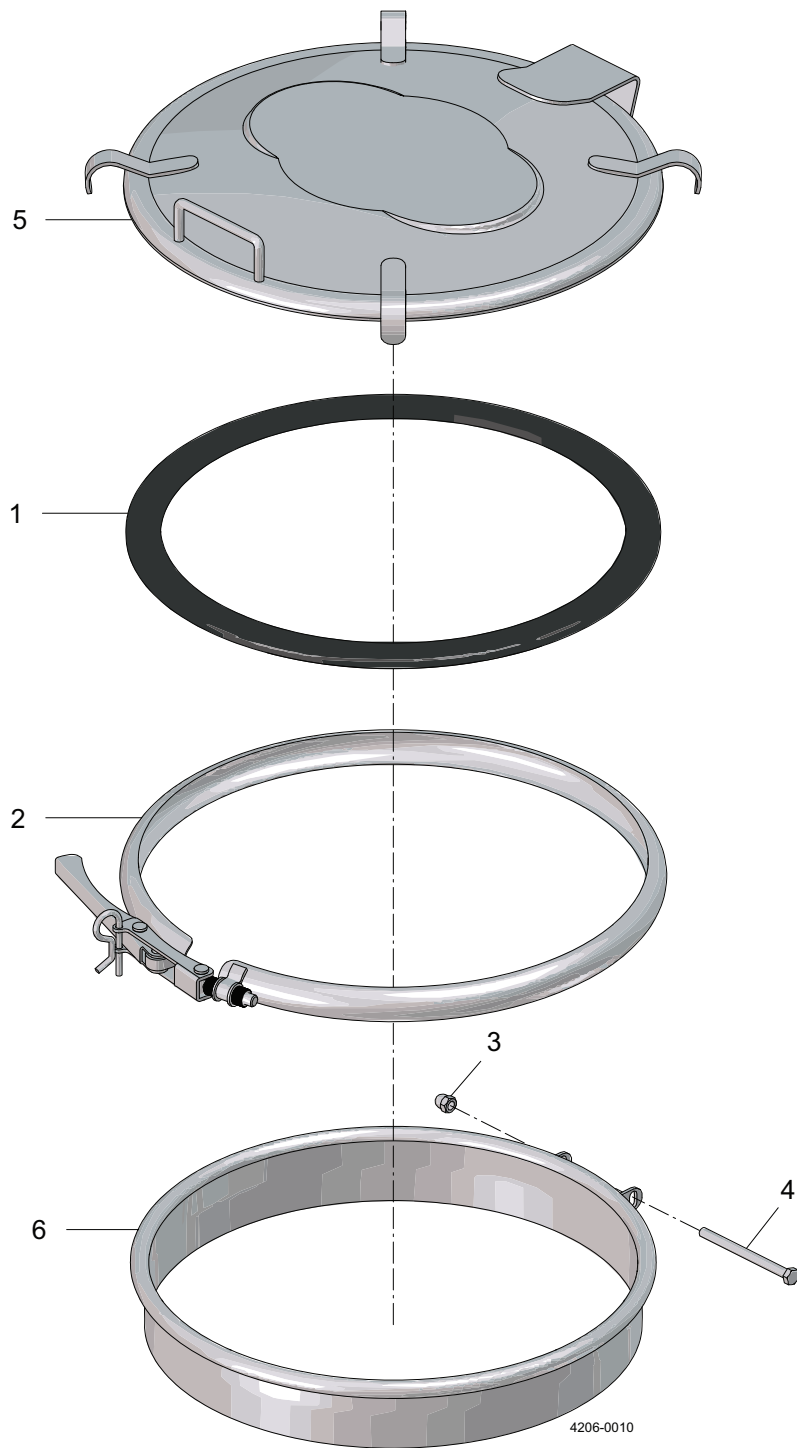


Circular Type C-404BSB

Pos	Qty	Denomination	1.4301 (304)	1.4404 (316L)
Circular Manhole Cover C-404BSB				
1	1	Handle	9612990793	9612990793
	1	Handle Stainless	9613407201	9613407201
2	1	Toggle	9614209319	9614209319
3	1	Swing bolt	9614200101	9614200101
4	1	Seal EPDM	9613437726	9613437726
	1	Seal NBR	9613437727	9613437727
	1	Seal FPM	9613437728	9613437728
	1	Seal SILICONE (Q)	9613437729	9613437729
5	2	Retaining ring	9614210701	9614210701
6	2	Pin	9614210202	9614210202
7	1	Screw	9614210403	9614210403
8	1	U-Bracket	9614209601	9614209601
9	1	Screw	9614210405	9614210405
10	2	Nut	9614210506	9614210506
11	1	Washer	9614210805	9614210805
12	1	Nut	9614210503	9614210503
13	1	Cover		
14	1	Frame, 65mm		
	1	Frame, 100mm		
	1	Frame, 150mm		
	1	Frame, 200mm		

Recommended spare parts: Pos. 4.

TD 4206-0009

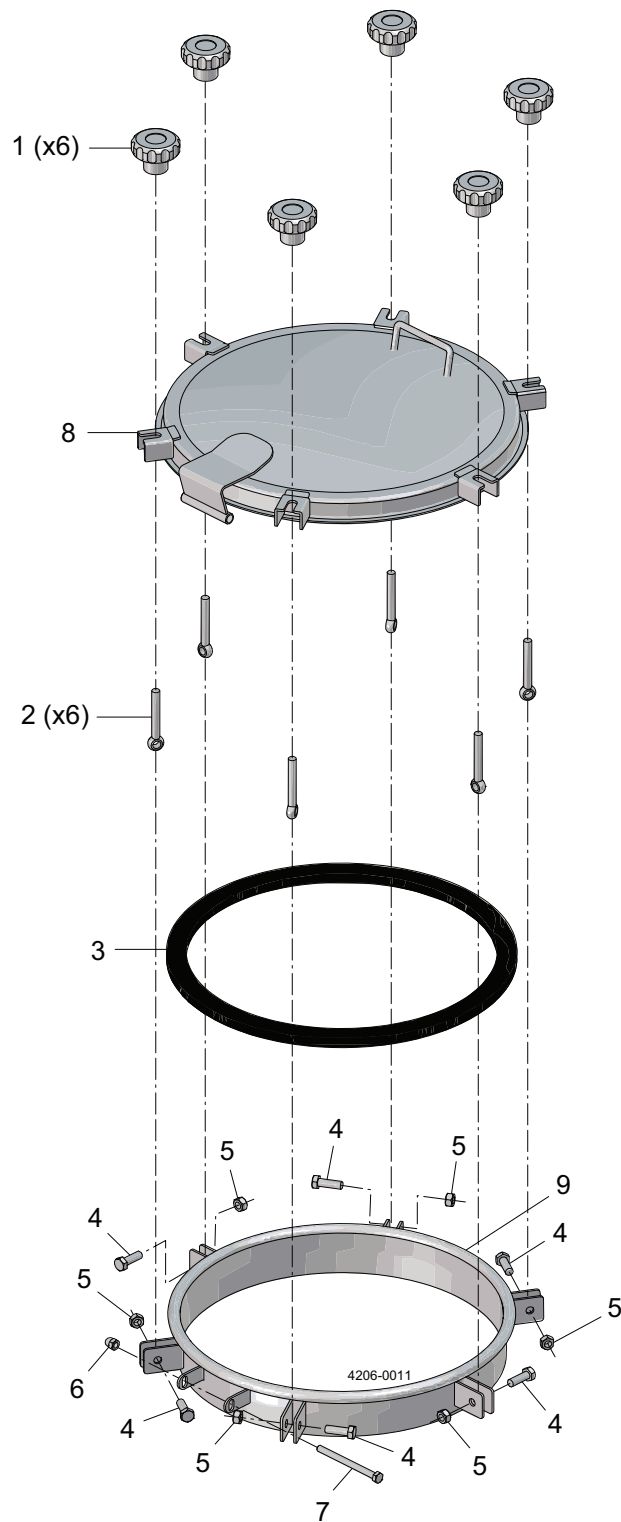


Circular Type C-404CC

Pos	Qty	Denomination	1.4301 (304)	1.4404 (316L)
Circular Manhole Cover C-404CC				
1	1	Seal EPDM	9612990851	9612990851
	1	Seal NBR	9612990853	9612990853
	1	Seal FPM	9612990855	9612990855
	1	Seal Silicone (Q)	9612990854	9612990854
2	1	Locking Clamp	9614209501	9614209501
3	1	Nut	9614210507	9614210507
4	1	Screw	9614210402	9614210402
5	1	Cover		
6	1	Frame		

Recommended spare parts: Pos. 1.

TD 4206-0010

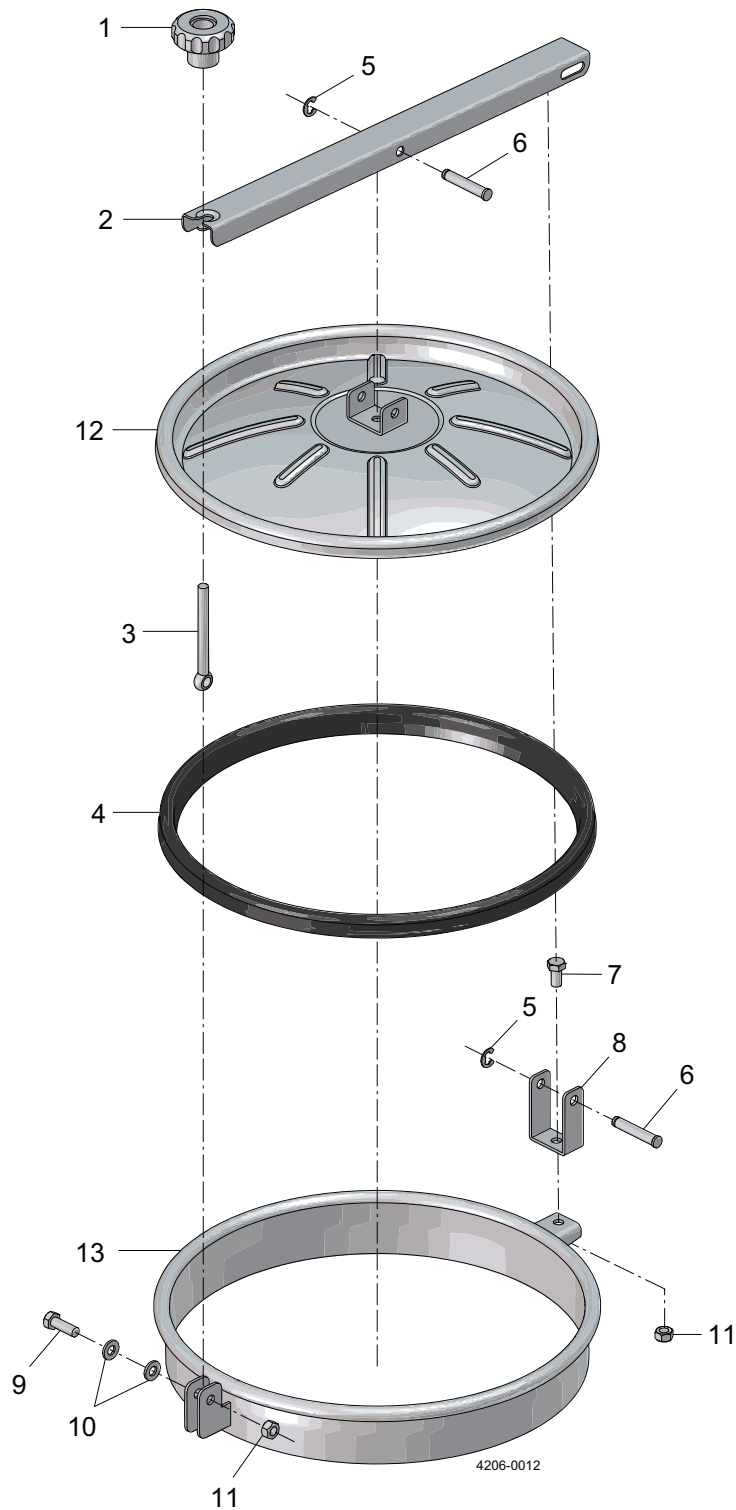


Circular Type C-404H6

Pos	Qty	Denomination	1.4301 (304)	1.4404 (316L)
Circular Manhole Cover C-404H6				
1	6	Handle	9612990793	9612990793
		Handle Stainless	9613407202	9613407202
2	6	Swing Bolt	9614210001	9614210001
3	1	Seal EPDM	9612945016	9612945016
	1	Seal NBR	9612945018	9612945018
	1	Seal FPM	9612990724	9612990724
	1	Seal Silicone (Q)	9612990723	9612990723
4	6	Screw	9614210405	9614210405
5	6	Nut	9614210506	9614210506
6	1	Nut	9614210507	9614210507
7	1	Screw	9614210402	9614210402
8	1	Cover		
9	1	Frame, 65mm		
	1	Frame, 100mm		
	1	Frame, 150mm		
	1	Frame, 200mm		

Recommended spare parts: Pos. 3.

TD 4206-0011



Circular Type C-404SB

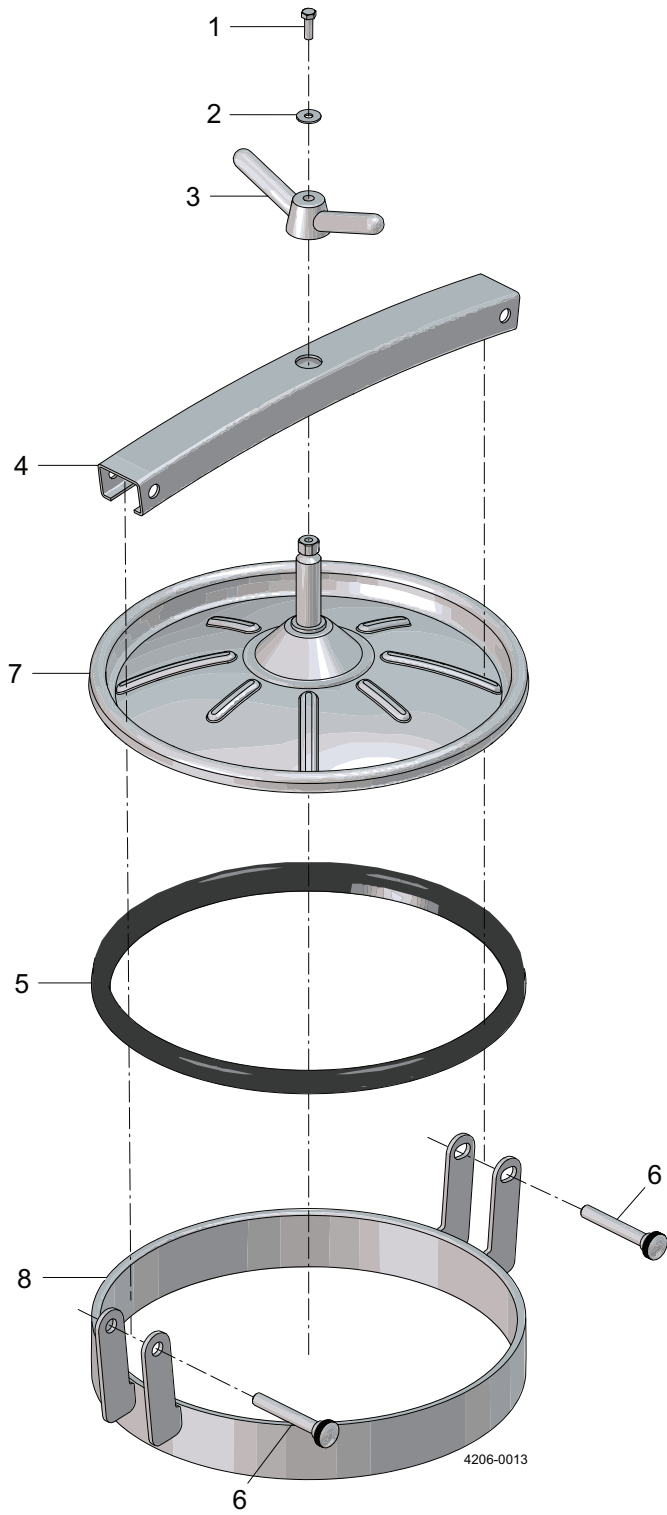
Pos	Qty	Denomination	1.4301 (304)	1.4404 (316L)
Circular Manhole Cover C-404SB				
1	1	Handle	9612990796	9612990796
	1	Handle Stainless	9613407201	9613407201
2	1	Toggle	9614209319	9614209319
3	1	Swing Bolt	9614210001	9614210001
4	1	Seal , EPDM	9612945019 ¹⁾	9612945019 ¹⁾
	1	Seal, NBR	9612945021 ¹⁾	9612945021 ¹⁾
	1	Seal, FPM	9612990727 ¹⁾	9612990727 ¹⁾
	1	Seal, Silicone (Q)	9613407236 ¹⁾	9613407236 ¹⁾
	1	Seal, NBR		
	1	Seal, EPDM	9614446206 ²⁾	9614446206 ²⁾
	1	Seal, SILICONE (Q)	9614446207 ²⁾	9614446207 ²⁾
	1	Seal, FPM	9614446208 ²⁾	9614446208 ²⁾
5	2	Retaining ring	9614210405	9614210405
6	2	Pin	9614210202	9614210202
7	2	Screw	9614210403	9614210403
8	1	U-Bracket	9614209601	9614209601
9	1	Screw	9614210405	9614210405
10	2	Washer	9614210802	9614210802
11	2	Nut	9614210506	9614210506
12	1	Cover		
13	1	Frame, 65mm		
	1	Frame, 100mm		
	1	Frame, 150mm		

Recommended spare parts: Pos. 4.

¹⁾ For Covers from after September 2009

²⁾ For Covers from before September 2009

TD 4206-0012



Circular Type C-418

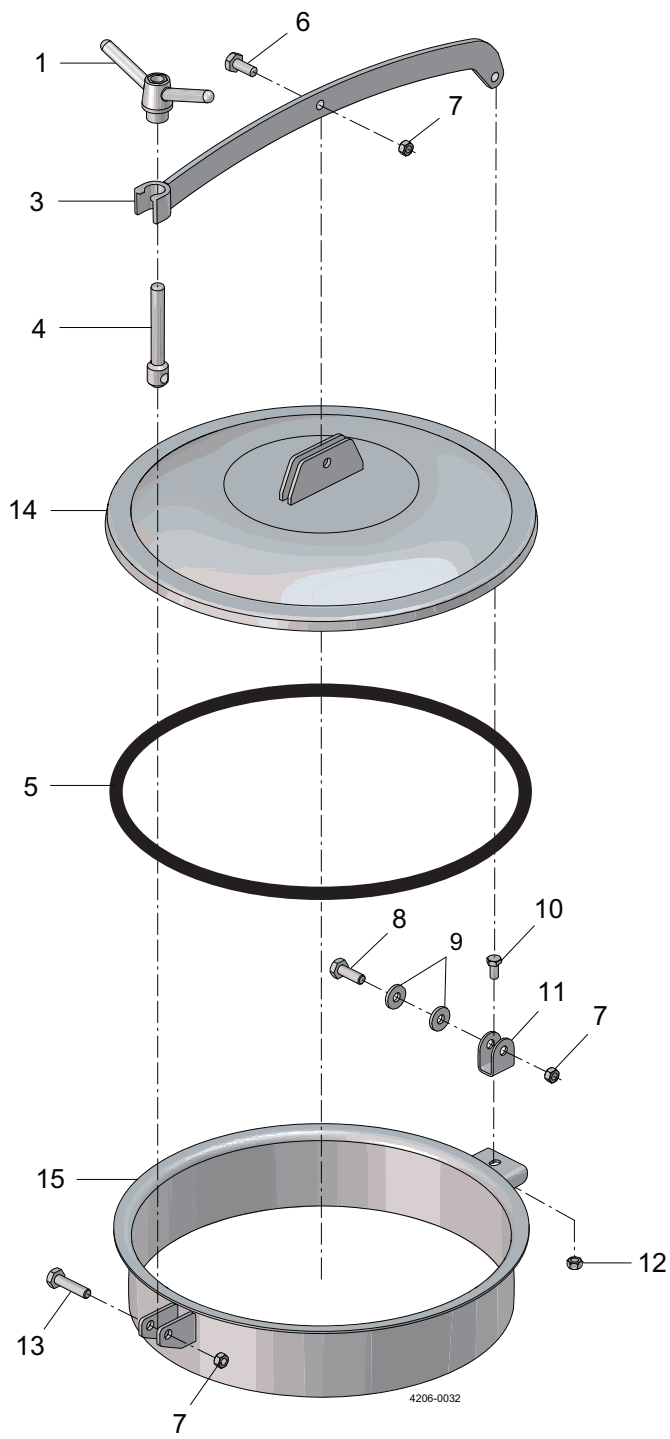
Pos	Qty	Denomination	1.4301 (304)	1.4404 (316L)
Circular Manhole Cover C-418				
1	1	Screw	9614210401	9614210401
2	1	Washer	9614210801	9614210801
3	1	Handle	9612990784	9612990784
4	1	Toggle	9614209320	9614209320
5	1	Seal EPDM	9612945019 ¹⁾	9612945019 ¹⁾
	1	Seal NBR	9612945021 ¹⁾	9612945021 ¹⁾
	1	Seal FPM	9612990727 ¹⁾	9612990727 ¹⁾
	1	Seal Silicone (Q)	9613407236 ¹⁾	9613407236 ¹⁾
	1	Seal NBR		
	1	Seal EPDM	9614446206 ²⁾	9614446206 ²⁾
	1	Seal SILICONE (Q)	9614446207 ²⁾	9614446207 ²⁾
	1	Seal FPM	9614446208 ²⁾	9614446208 ²⁾
6	2	Bolt	9614210209	9614210209
7	1	Cover		
8	1	Frame		

Recommended spare parts: Pos. 5.

¹⁾ For Covers from after September 2009

²⁾ For Covers from before September 2009

TD 4206-0013



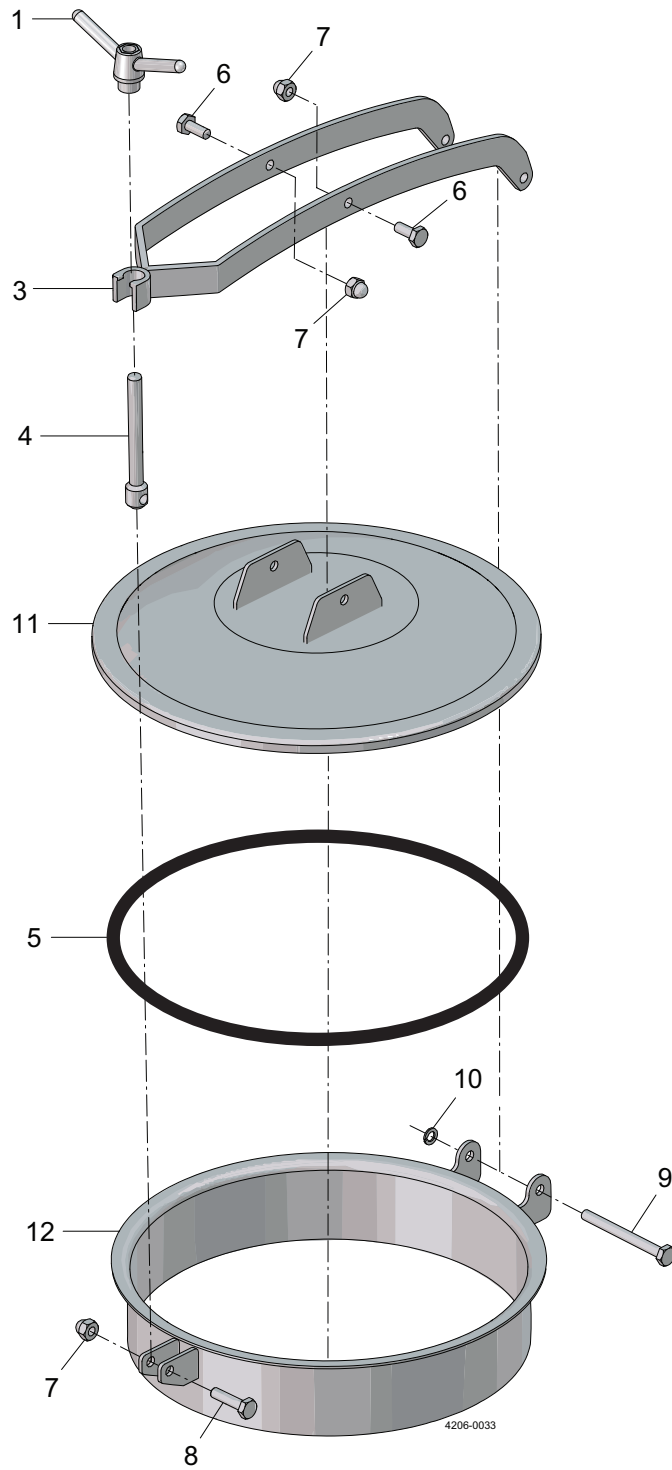
Circular Type C-454

Pos	Qty	Denomination	1.4301 (304)	1.4404 (316L)
Circular Manhole Cover C-454				
1	1	Handle wing	8010008194	8010008194
	1	Handle round	9614210314	9614210314
2	1	Washer *	9611995390	9611995390
3	1	Toggle	9614209330	9614209330
4	1	Swing bolt	9614210007	9614210007
5	1	Seal EPDM	9613437736	9613437736
	1	Seal NBR	9613437737	9613437737
	1	Seal FPM	9613437738	9613437738
	1	Seal Silicone (Q)	9613437739	9613437739
	1	Screw	9614210410	9614210410
7	3	Nut	9614210505	9614210505
8	1	Screw	9614210412	9614210412
9	2	Washer	9614210813	9614210813
10	1	Screw	9614210403	9614210403
11	1	U-Bracket	9614209603	9614209603
12	1	Nut	9614210506	9614210506
13	1	Screw	9614210411	9614210411
14	1	Cover		
15	1	Frame, 100mm		
	1	Frame, 150mm		
	1	Frame, 200mm		

* Only valid for handles available before April 2021.

Recommended spare parts: Pos. 5.

TD 4206-0014



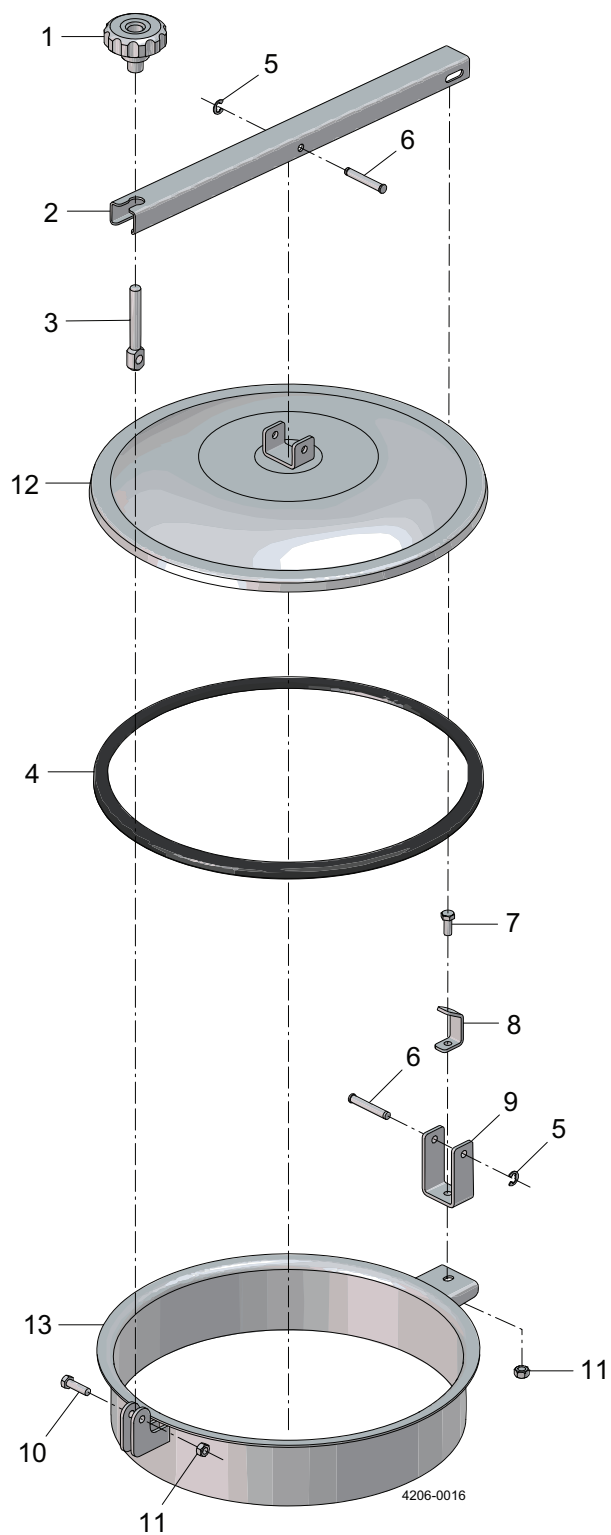
Circular Type C-454A

Pos	Qty	Denomination	1.4301 (304)A	1.4404 (316L)
Circular Manhole Cover C-454A				
1	1	Handle wing	8010008194	8010008194
	1	Handle round	9612990792	9612990792
2	1	Washer*	9611995390	9611995390
3	1	Toggle	9614209324	9614209324
4	1	Swing bolt	9614210006	9614210006
5	1	Seal EPDM	9613437736	9613437736
	1	Seal NBR	9613437737	9613437737
	1	Seal FPM	9613437738	9613437738
	1	Seal Silicone (Q)	9613437739	9613437739
6	2	Screw	9614210410	9614210410
7	3	Nut	9614210505	9614210505
8	1	Screw	9614210411	9614210411
9	1	Bolt	9614210210	9614210210
10	1	Retaining ring	9613437762	9613437762
11	1	Cover		
12	1	Frame, 100mm		
	1	Frame, 150mm		
	1	Frame, 200mm		

* Only valid for handles available before April 2021.

Recommended Spare parts: Pos. 5.

TD 4206-0015

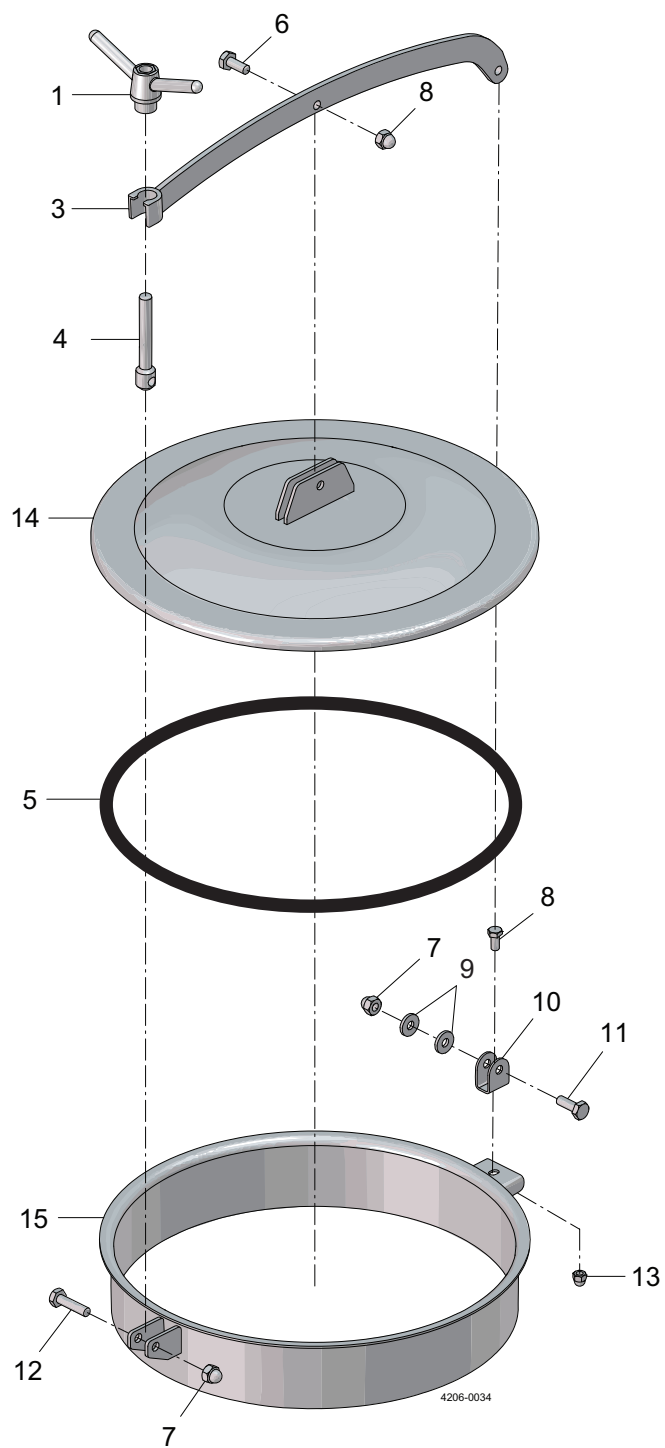


Circular Type C-454SB

Pos	Qty	Denomination	1.4301 (304)	1.4404 (316L)
Circular Manhole Cover C-454SB				
1	1	Handle	9612990796	9612990796
	1	Handle Stainless	9614210313	9614210313
2	1	Toggle	9614209334	9614209334
3	1	Swingbolt	9614210003	9614210003
4	1	Seal EPDM	9613437736	9613437736
	1	Seal NBR	9613437737	9613437737
	1	Seal FPM	9613437738	9613437738
	1	Seal Silicone (Q)	9613437739	9613437739
5	2	Retaining ring	9614210701	9614210701
6	2	Pin	9614210203	9614210203
7	1	Screw	9614210404	9614210404
8	1	Stop arm	9614209901	9614209901
9	1	U-Bracket	9614209602	9614209602
10	1	Screw	9614210406	9614210406
11	2	Nut	9614210506	9614210506
12	1	Cover		
13		Frame, 100mm		
		Frame, 150mm		
		Frame, 200mm		

Recommended spare parts: Pos. 4.

TD 4206-0016



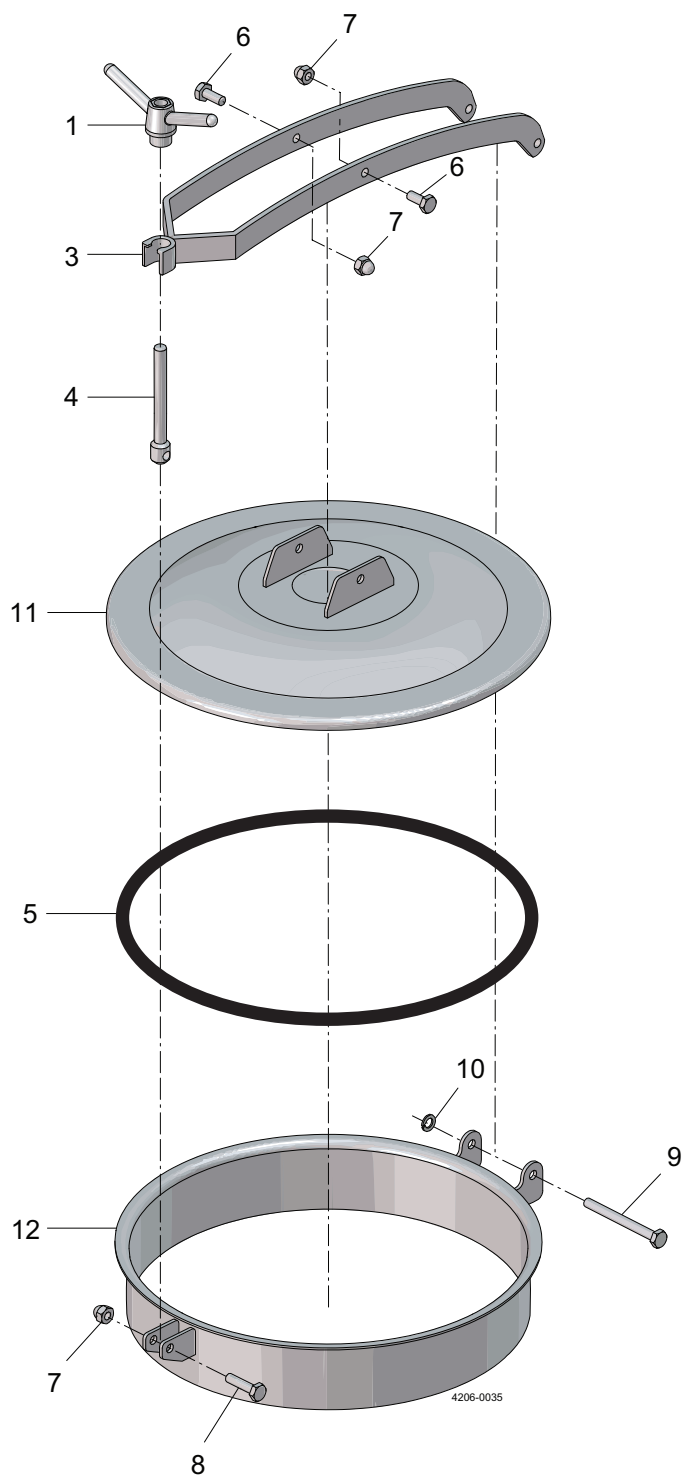
Circular Type C-518 (Preciously C-520)

Pos	Qty	Denomination	1.4301 (304)	1.4404 (316L)
Circular Manhole Cover C-518 (Previously C-520)				
1	1	Handle Wing	8010008194	8010008194
	1	Handle Round	9614210314	9614210314
2	1	Washer*	9611995390	9611995390
3	1	Toggle	9614209332	9614209332
4	1	Swing bolt	9614210007	9614210007
5	1	Seal EPDM	9613437746	9613437746
	1	Seal NBR	9613437747	9613437747
	1	Seal FPM	9613437748	9613437748
	1	Seal SILICONE (Q)	9613437749	9613437749
	1	Screw	9614210410	9614210410
7	3	Nut	9614210505	9614210505
8	3	Screw	9614210403	9614210403
9	2	Washer	9614210813	9614210813
10	2	U-Bracket	9614209603	9614209603
11	1	Screw	9614210412	9614210412
12	1	Screw	9614210411	9614210411
13	1	Nut	9614210506	9614210506
14	1	Cover		
15	1	Frame, 100mm		
	1	Frame, 150mm		
	1	Frame, 200mm		

* Only valid for handles available before April 2021.

Recommended spare parts: Pos. 5.

TD 4206-0019



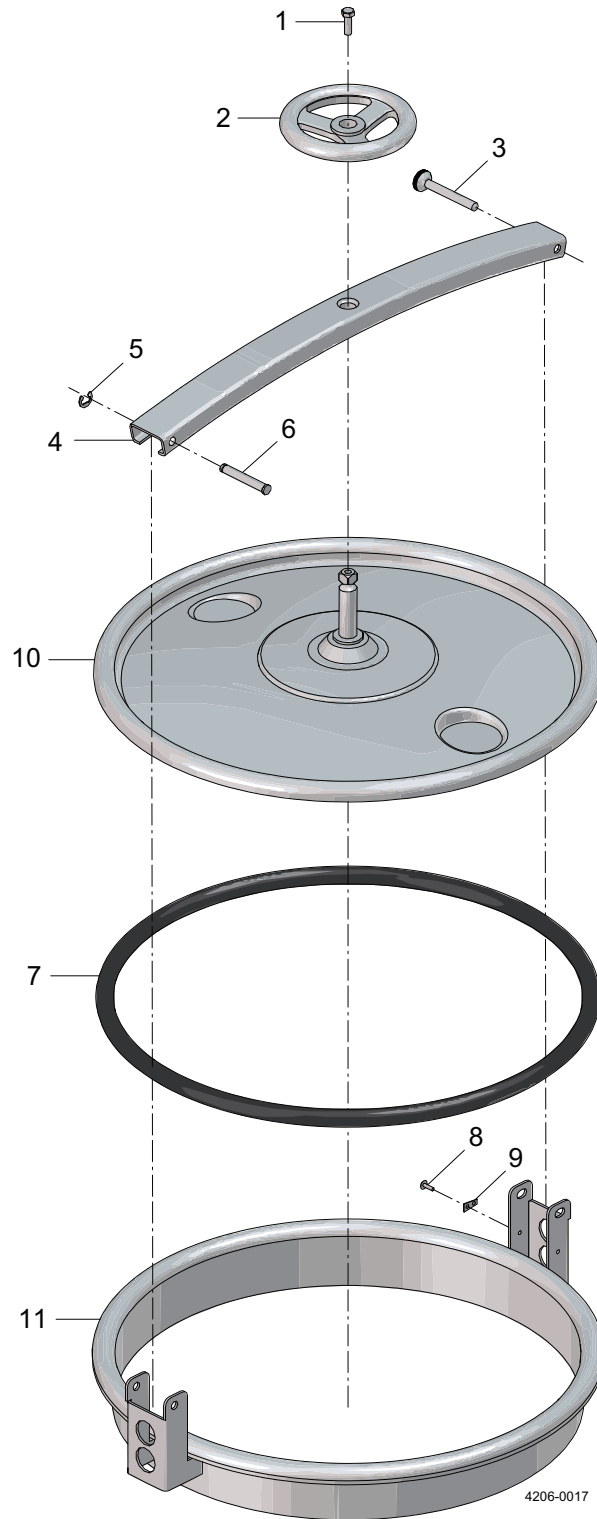
Circular Type C-518A (Previously C-520A)

Pos	Qty	Denomination	1.4301 (304)	1.4404 (316L)
Circular Manhole Cover 518A (Previously C-520A)				
1	1	Handle wing	8010008194	8010008194
	1	Handle round	9612990792	9612990792
2	1	Washer*	9611995390	9611995390
3	1	Toggle	9614209326	9614209326
4	1	Swing bolt	9614210006	9614210006
5	1	Seal EPDM	9613437746	9613437746
	1	Seal NBR	9613437747	9613437747
	1	Seal FPM	9613437748	9613437748
	1	Seal SILICONE (Q)	9613437749	9613437749
6	2	Screw	9614210410	9614210410
7	3	Nut	9614210505	9614210505
8	1	Screw	9614210411	9614210411
9	1	Bolt	9614210210	9614210210
10	1	Retaining ring	9613437762	9613437762
11	1	Cover		
12	1	Frame, 100mm		
	1	Frame, 150mm		
	1	Frame, 200mm		

* Only valid for handles available before April 2021.

Recommended spare parts: Pos. 5.

TD 4206-0020

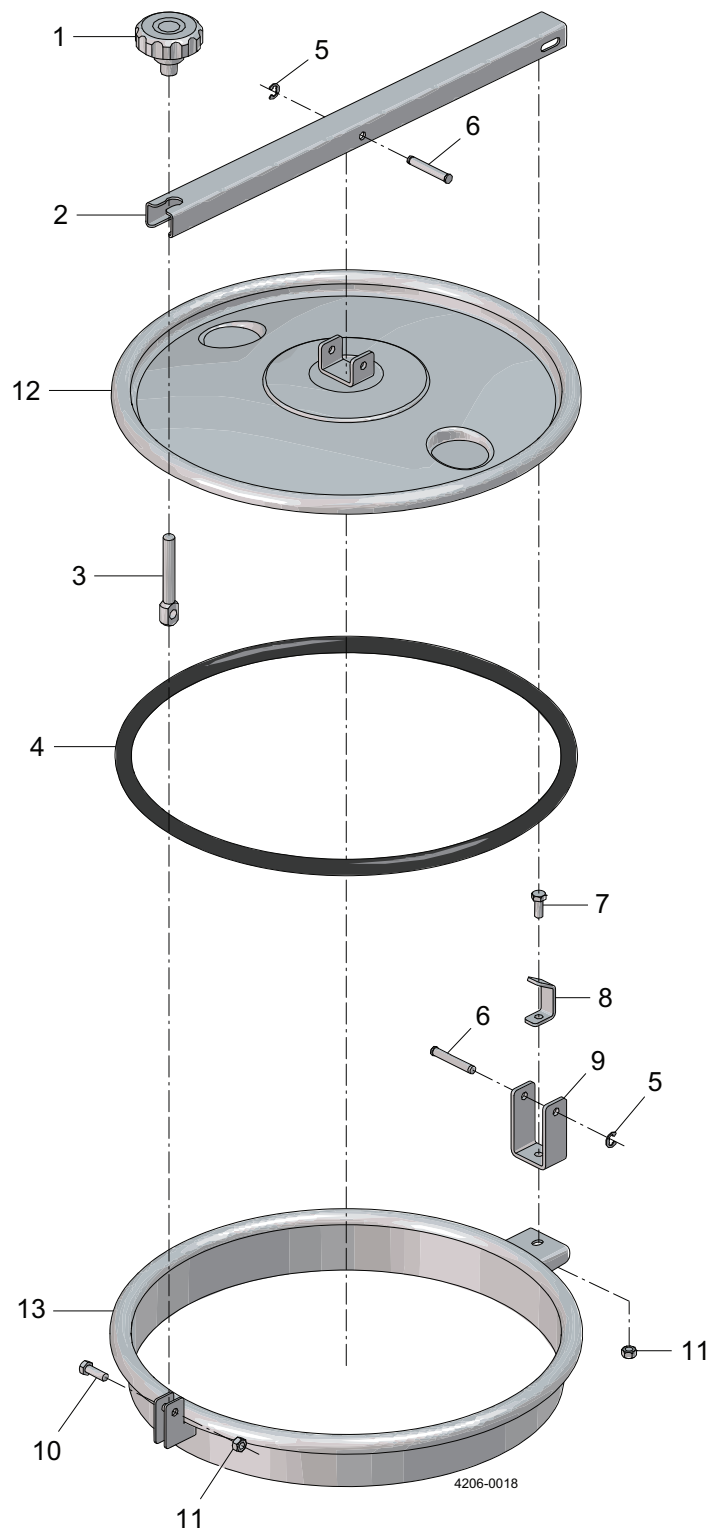


Circular Type C-518MH

Pos	Qty	Denomination	1.4301 (304)	1.4404 (316L)
Circular Manhole Cover C-518MH				
1	1	Screw	9614210401	9614210401
2	1	Handle	9614210312	9614210312
3	1	Bolt	9614210208	9614210208
4	1	Toggle	9614209337	9614209337
5	1	Retaining ring	9614210701	9614210701
6	1	Pin	9613456819	9613456819
7	1	Seal EPDM	9612945058	9612945058
	1	Seal NBR	9612945060	9612945060
	1	Seal NBR	9612990761	9612990761
	1	Seal SILICONE (Q)	9612990759	9612990759
8	1	Rivet	9614210601	9614210601
9	1	Bracket for rivet	9614209801	9614209801
10	1	Cover		
11	1	Frame		

Recommended spare parts: Pos. 7.

TD 4206-0017

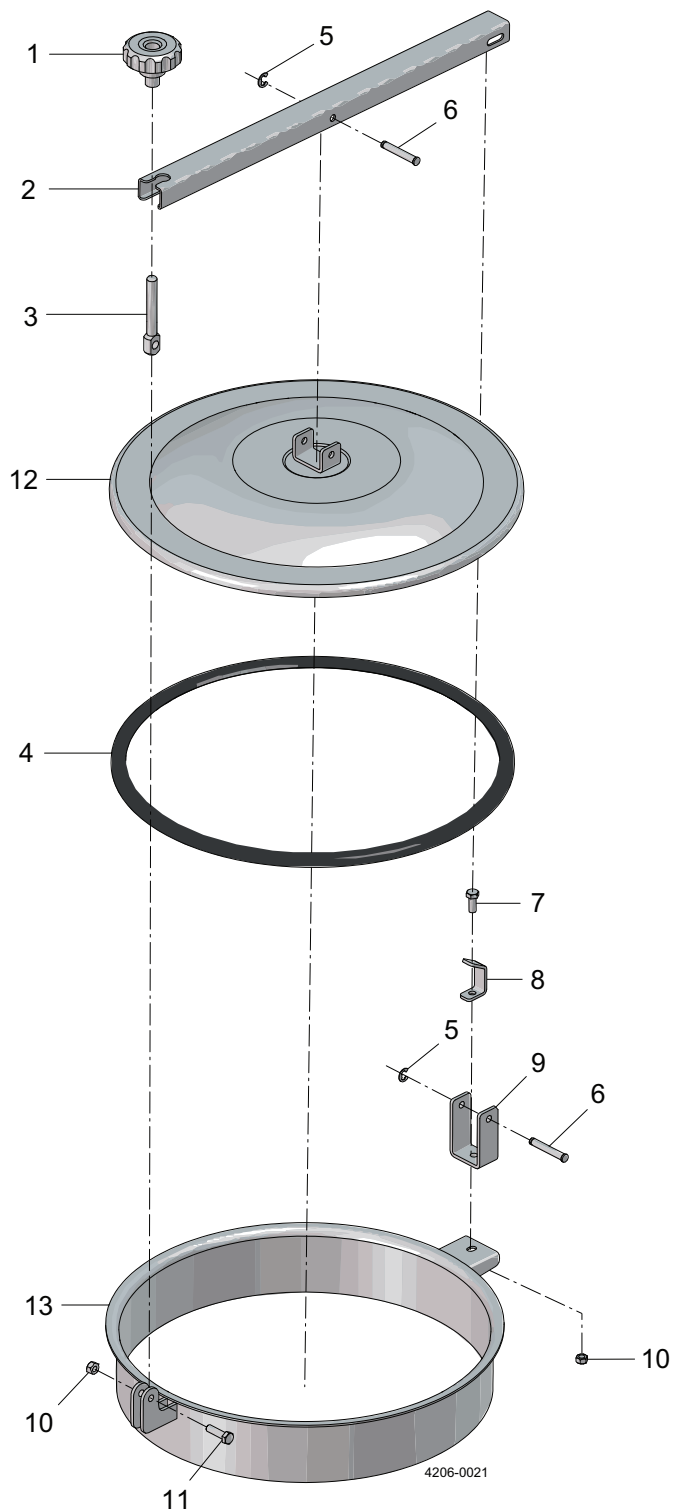


Circular Type C-518SB

Pos	Qty	Denomination	1.4301 (304)	1.4404 (316L)
Circular Manhole Cover C-518SB				
1	1	Handle	9612990796	9612990796
2	1	Toggle	9614209339	9614209339
3	1	Swingbolt	9614210003	9614210003
4	1	Seal EPDM	9612945058	9612945058
	1	Seal NBR	9612945060	9612945060
	1	Seal FPM	9612990761	9612990761
	1	Seal SILICONE (Q)	9612990759	9612990759
5	2	Retaining ring	9614210701	9614210701
6	2	Pin	9614210203	9614210203
7	1	Screw	9614210404	9614210404
8	1	Stop arm	9614209901	9614209901
9	1	U-Bracket	9614209602	9614209602
10	1	Screw	9614210405	9614210405
11	2	Nut	9614210506	9614210506
12	1	Cover		
13	1	Frame, 75mm		
	1	Frame, 100mm		
	1	Frame, 150mm		
	1	Frame, 200mm		

Recommended spare parts: Pos. 4.

TD 4206-0018

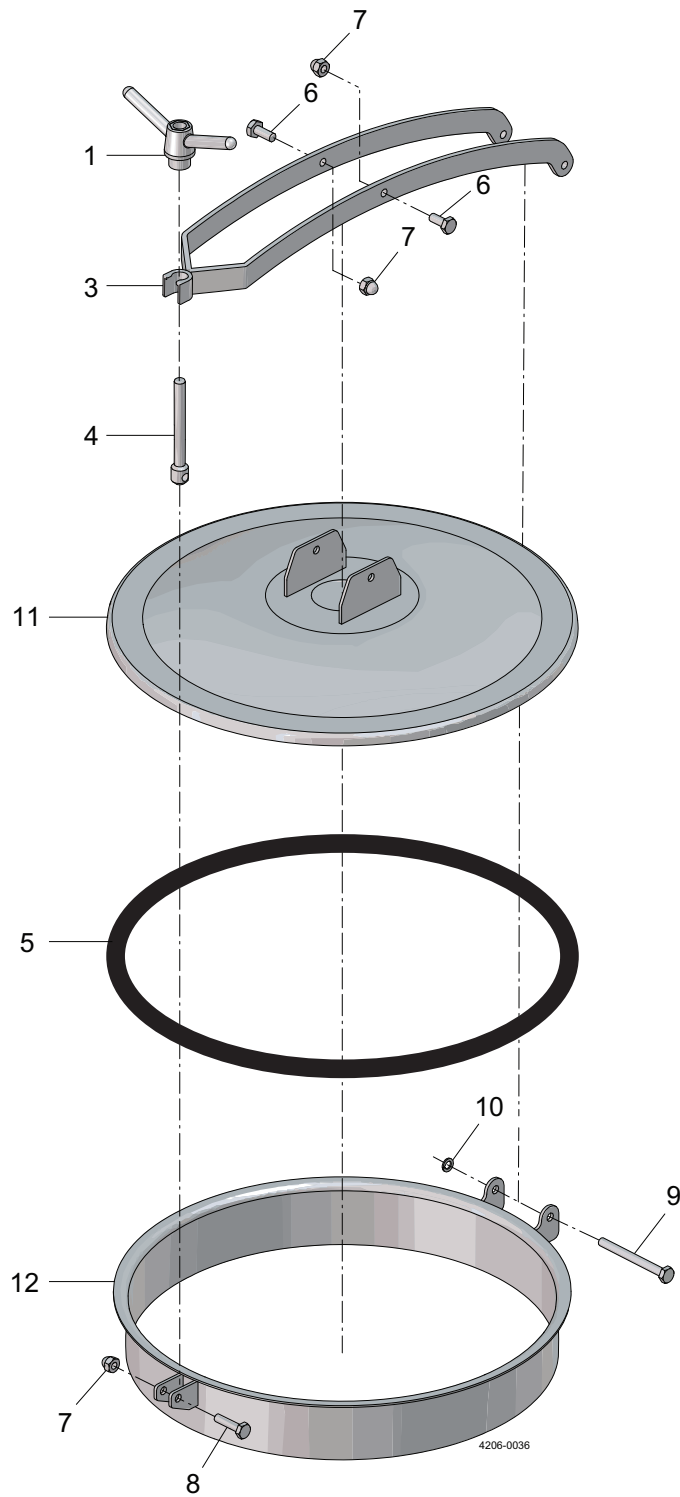


Circular Type C-518SBAR (Previously C-520SB)

Pos	Qty	Denomination	1.4301 (304)	1.4404 (316L)
Circular Manhole Cover C-518SBAR (Previously C-520SB)				
1	1	Handle	9612990796	9612990796
	1	Handle stainless	9613407202	9613407202
2	1	Toggle	9614209335	9614209335
3	1	Swingbolt	9614210003	9614210003
4	1	Seal EPDM	9613437746	9613437746
	1	Seal NBR	9613437747	9613437747
	1	Seal FPM	9613437748	9613437748
	1	Seal SILICONE (Q)	9613437749	9613437749
5	2	Retaining ring	9614210701	9614210701
6	2	Pin	9614210203	9614210203
7	1	Screw	9614210404	9614210404
8	1	Stop arm	9614209901	9614209901
9	1	U-Bracket	9614209602	9614209602
10	2	Nut	9614210506	9614210506
11	1	Screw	9614210406	9614210406
12	1	Cover		
13	1	Frame, 100mm		
	1	Frame, 150mm		
	1	Frame, 200mm		

Recommended spare parts: Pos. 4.

TD 4206-0021



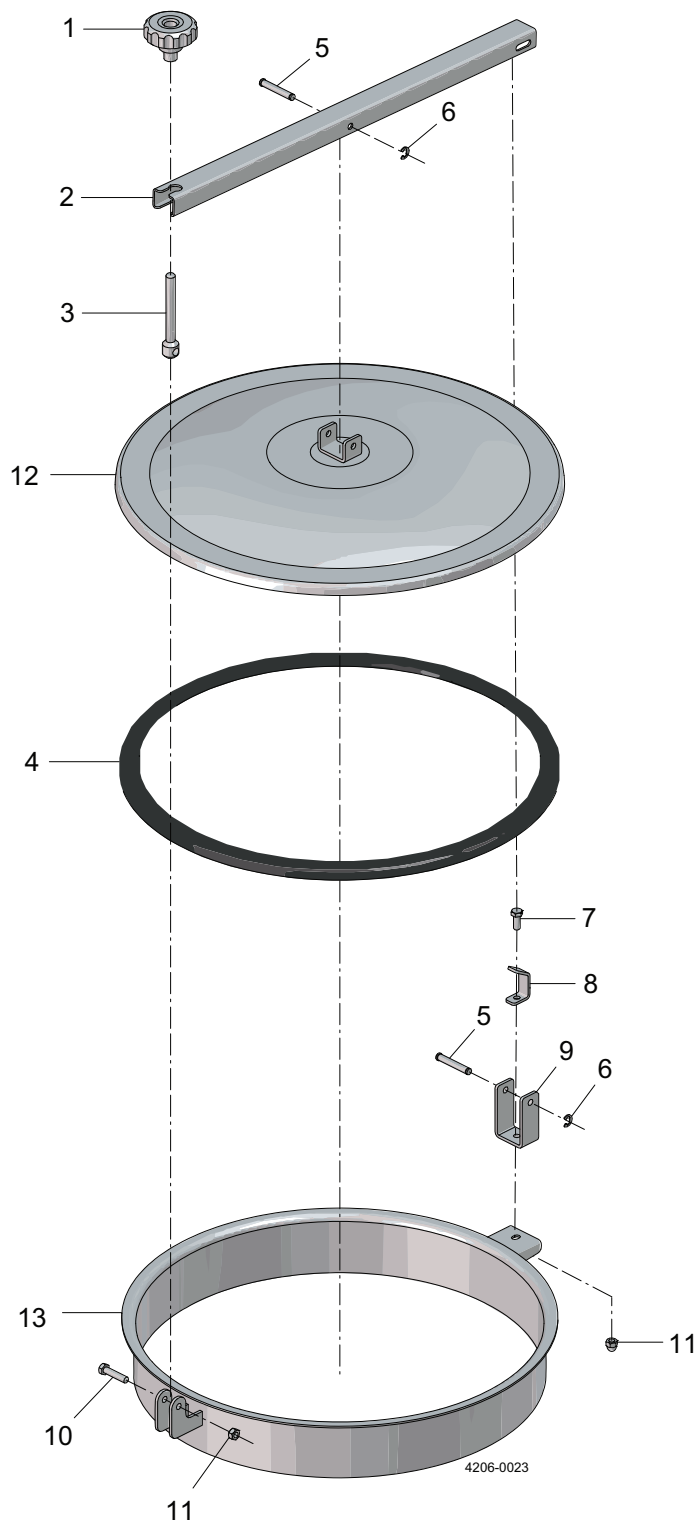
Circular Type C-620A

Pos	Qty	Denomination	1.4301 (304)	1.4404 (316L)
Circular Manhole Cover C-620A				
1	1	Handle wing	8010008194	8010008194
	1	Handle round	9612990792	9612990792
2	1	Washer*	9611995390	9611995390
3	1	Toggle	9614209328	9614209328
4	1	Swing bolt	9614210006	9614210006
5	1	Seal EPDM	9613437756	9613437756
	1	Seal NBR	9613437757	9613437757
	1	Seal FPM	9613437758	9613437758
	1	Seal SILICONE (Q)	9613437759	9613437759
6	2	Screw	9614210410	9614210410
7	3	Nut	9614210505	9614210505
8	1	Screw	9614210411	9614210411
9	1	Bolt	9614210210	9614210210
10	1	Retaining ring	9613437762	9613437762
11	1	Cover		
12	1	Frame, 100mm		
	1	Frame, 150mm		
	1	Frame, 200mm		

* Only valid for handles available before April 2021.

Recommended spare parts: Pos. 5.

TD 4206-0022



Circular Type C-620SB

Pos	Qty	Denomination	1.4301 (304)	1.4404 (316L)
Circular Manhole Cover C-620SB				
1	1	Handle	9612990796	9612990796
	1	Handle stainless	9613407202	9613407202
2	1	Toggle	9614209336	9614209336
3	1	Swingbolt	9614210004	9614210004
4	1	Seal EPDM	9613437756	9613437756
	1	Seal NBR	9613437757	9613437757
	1	Seal FPM	9613437758	9613437758
	1	Seal SILICONE (Q)	9613437759	9613437759
5	2	Pin	9614210203	9614210203
6	2	Retaining ring	9614210701	9614210701
7	1	Screw	9614210404	9614210404
8	1	Stop arm	9614209901	9614209901
9	1	U-Bracket	9614209602	9614209602
10	1	Screw	9614210407	9614210407
11	2	Nut	9614210506	9614210506
12	1	Cover		
13	1	Frame, 100mm		
	1	Frame, 150mm		
	1	Frame, 200mm		

Recommended spare parts: Pos. 4.

TD 4206-0023

How to contact Alfa Laval

Contact details for all countries are continually updated on our website.

Please visit www.alfalaval.com to access the information directly.

© Alfa Laval Corporate AB

This document and its contents is owned by Alfa Laval Corporate AB and protected by laws governing intellectual property and thereto related rights. It is the responsibility of the user of this document to comply with all applicable intellectual property laws. Without limiting any rights related to this document, no part of this document may be copied, reproduced or transmitted in any form or by any means (electronic, mechanical, photocopying, recording, or otherwise), or for any purpose, without the expressed permission of Alfa Laval Corporate AB. Alfa Laval Corporate AB will enforce its rights related to this document to the fullest extent of the law, including the seeking of criminal prosecution.