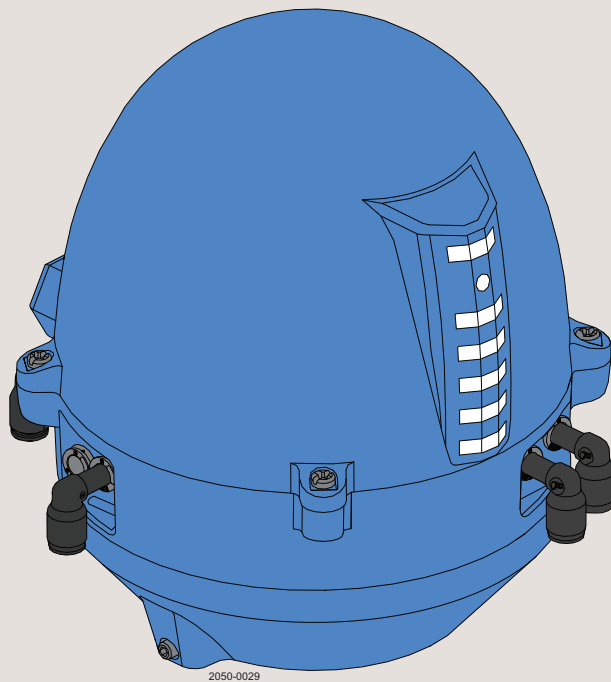




Spare Parts

ThinkTop® Basic Intrinsically Safe (2208 -)



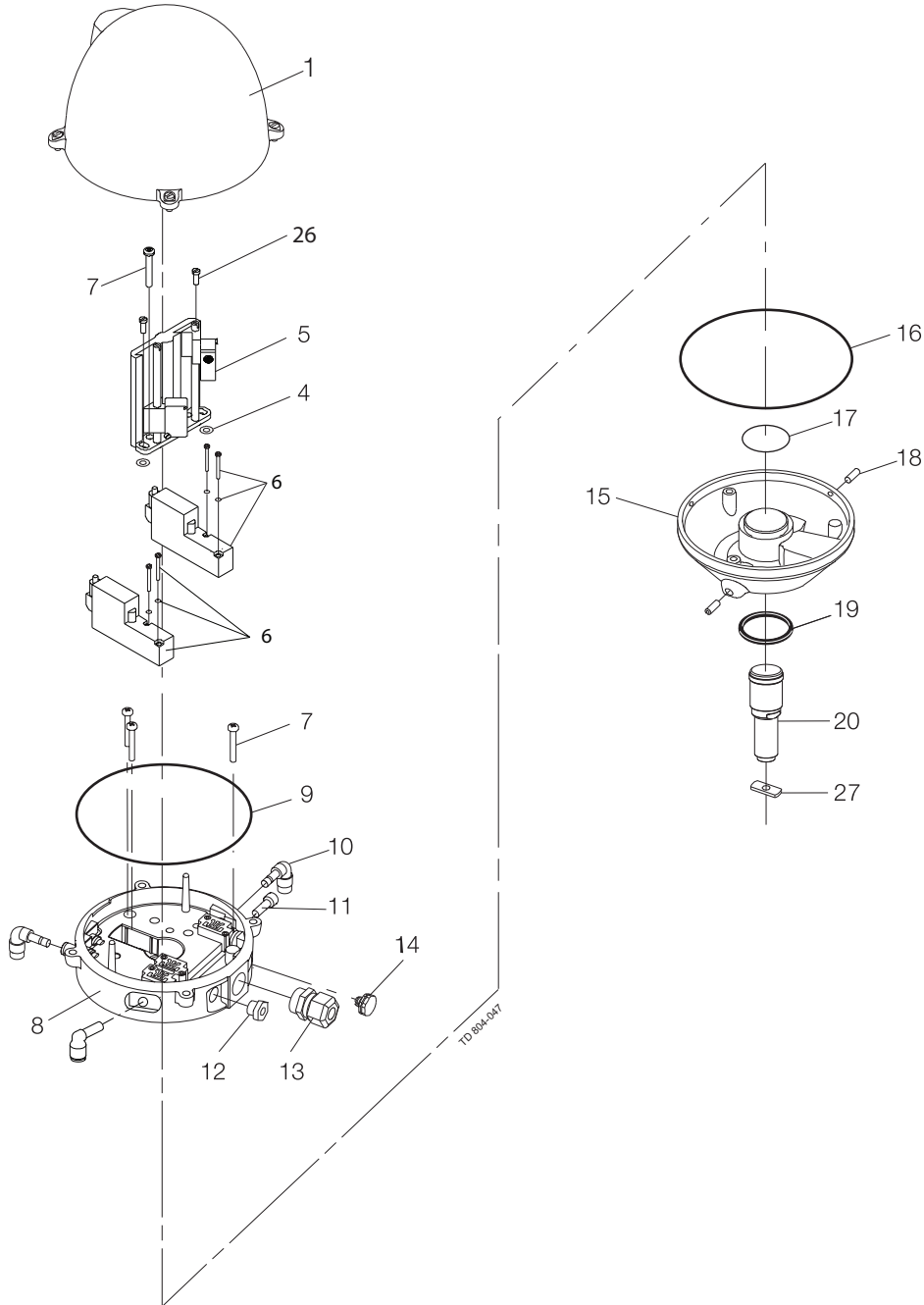
100007172-EN1

2022-08

Original manual

The information herein is correct at the time of issue but may be subject to change without prior notice

1. ThinkTop® Basic Intrinsically Safe (2208 -) 4



SRC, SMP-BC,
SMP-SC SF,
Unique
Mixproof,
Unique SSV
ATEX,
SMP-TO, LKB
(LKLA-T),
Koltek MH,
SBV

Pos	Qty	Denomination	
1	1	Shell, complete	
4	2	Washer	9611995377
5	1	Frame cpl. with sensors	8010018878
6	1-2	Solenoid valve (3/2)	9611994924
7	4	PT screw	9611993457
8	1	Base, complete	
9	1	Special X-ring, grey	9613456401
10	2-3	Air fitting elbow, metal plug, black rim, ø6mm/ø6mm	9611995678
	1	Air fitting elbow, metal plug, grey rim, ø6mm/1/4"	9611995679
11	1	Blow-off valve	9612563603
12	1	Thread plug, PG7, ø3-ø6.5 mm	9611993407
13	1	Cable gland, PG11, Ex	9611994923
14	1	Gore vent	8010020471
15	1	Adapter complete	
16	1	Special X-ring, black	9612999401
17	1	O-ring	9611993350
18	2	Allen screw	9611993409
19	1	Special X-ring	9612569601
20	1	Indication pin, complete	8010018881
26	2	Screw	72018
27	1	Threaded plate (accessories for the Think Top)	3135707012

How to contact Alfa Laval

Contact details for all countries are continually updated on our website.

Please visit www.alfalaval.com to access the information directly.

© Alfa Laval Corporate AB

This document and its contents is owned by Alfa Laval Corporate AB and protected by laws governing intellectual property and thereto related rights. It is the responsibility of the user of this document to comply with all applicable intellectual property laws. Without limiting any rights related to this document, no part of this document may be copied, reproduced or transmitted in any form or by any means (electronic, mechanical, photocopying, recording, or otherwise), or for any purpose, without the expressed permission of Alfa Laval Corporate AB. Alfa Laval Corporate AB will enforce its rights related to this document to the fullest extent of the law, including the seeking of criminal prosecution.