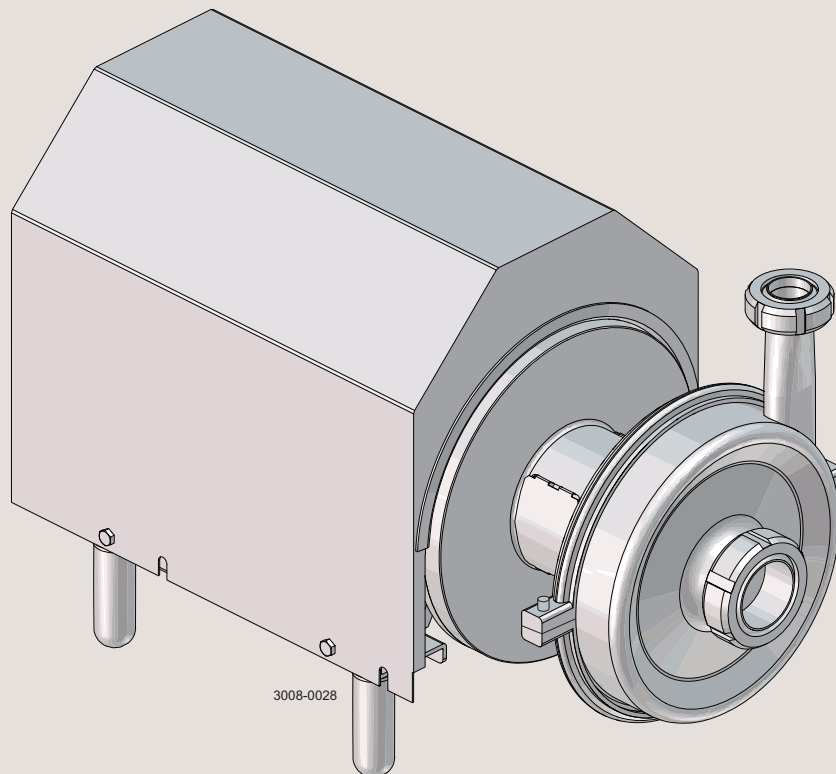




## Spare Parts

### SolidC Pump



ESE00721-EN9

2021-07

Original manual

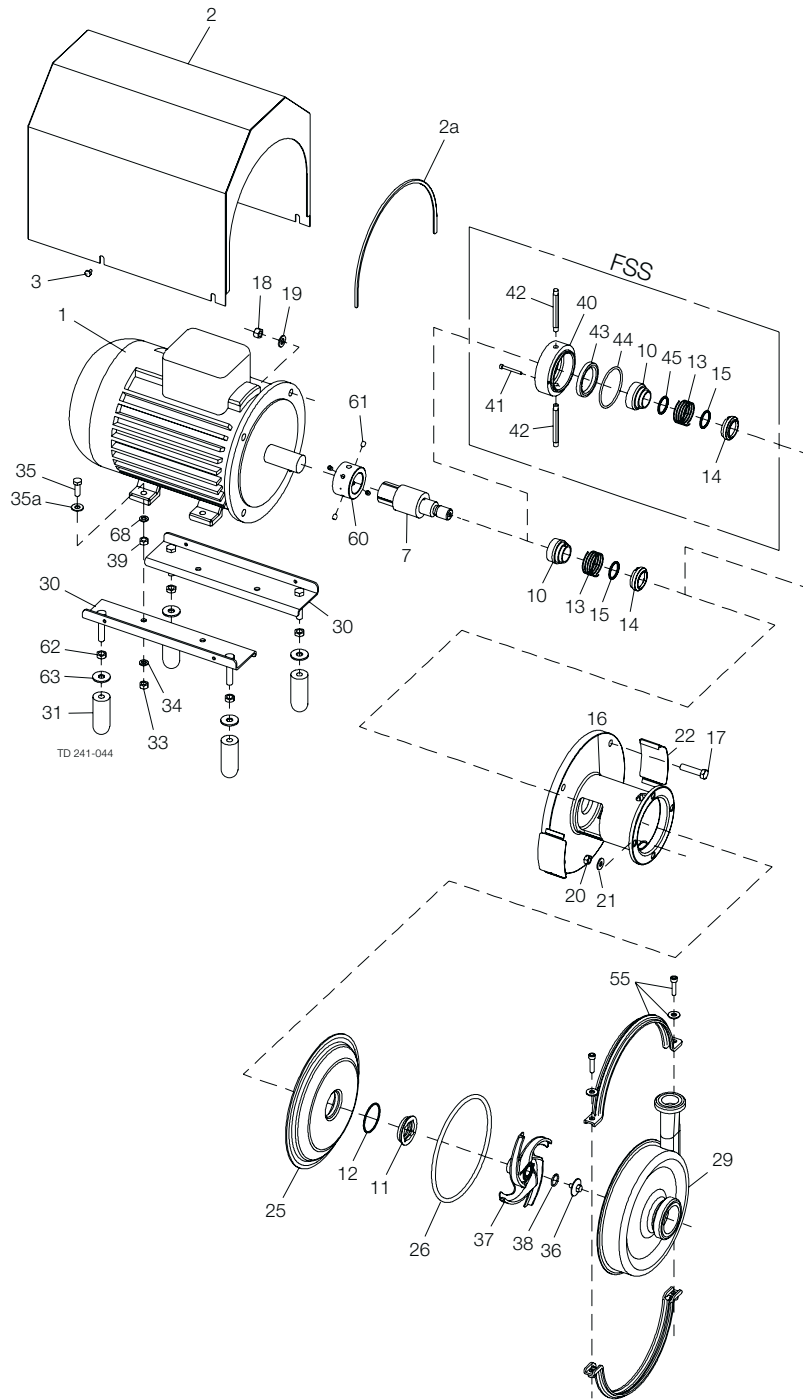


## Table of contents

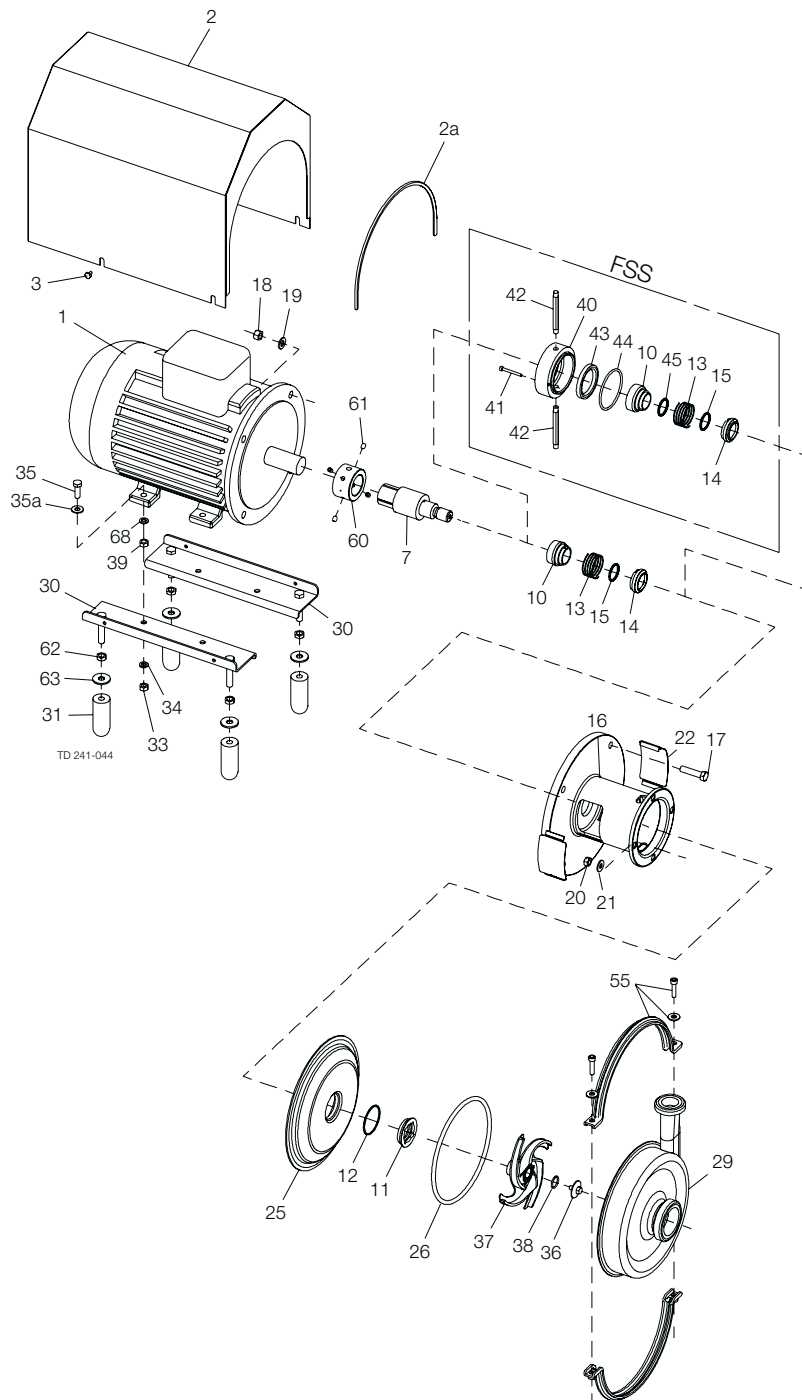
---

*The information herein is correct at the time of issue but may be subject to change without prior notice*

|  |          |
|--|----------|
| <b>1. SolidC - Wet end</b> .....                     | <b>4</b> |
| <b>2. SolidC - Motor Depended Parts</b> .....        | <b>6</b> |
| <b>3. SolidC - Shaft seal and service kits</b> ..... | <b>8</b> |



| Pos                              | Qty  | Denomination                                     | Solid C1<br>IEC90-IEC112 | Solid C2<br>IEC100-<br>IEC160 | Solid C3<br>IEC132-<br>IEC160 | Solid C4<br>IEC132-<br>IEC160 |
|----------------------------------|------|--|--------------------------|-------------------------------|-------------------------------|-------------------------------|
| <b>Pump casing std. blasted</b>  |      |  |                          |                               |                               |                               |
| 29                               | 1    | Pump casing, IDF .....                           | 9612910101               | 9612910108                    |                               | 9612910122                    |
|                                  |      | Pump casing, SMS .....                           | 9612910102               | 9612910109                    | 9612910116                    | 9612910123                    |
|                                  |      | Pump casing, DIN .....                           | 9612910103               | 9612910110                    | 9612910117                    | 9612910124                    |
|                                  |      | Pump casing, ISO .....                           | 9612910104               | 9612910111                    | 9612910118                    | 9612910125                    |
|                                  |      | Pump casing, BS .....                            | 9612910105               | 9612910112                    | 9612910119                    | 9612910126                    |
|                                  |      | Pump casing, DS .....                            | 9612910106               | 9612910113                    | 9612910120                    | 9612910127                    |
|                                  |      | Pump casing, sanitary flanges .....              | 9612910107               | 9612910114                    | 9612910121                    | 9612910128                    |
|                                  | 1    | Pump casing, flange DN50/DN40 .....              | 9612913001               |                               |                               |                               |
|                                  | 1    | Pump casing, flange DN65/DN40 .....              |                          | 9612913002                    |                               |                               |
|                                  | 1    | Pump casing, flange DN80/DN40 .....              |                          |                               | 9612913003                    |                               |
|                                  | 1    | Pump casing, flange DN80/DN50 .....              |                          |                               |                               | 9612913004                    |
| <b>Pump casing Mech Ra ≤ 0.8</b> |      |  |                          |                               |                               |                               |
| 29                               | 1    | Pump casing, IDF .....                           | 9612910301               | 9612910308                    | 9612910315                    | 9612910322                    |
|                                  | 1    | Pump casing, SMS .....                           | 9612910302               | 9612910309                    | 9612910316                    | 9612910323                    |
|                                  | 1    | Pump casing, DIN .....                           | 9612910303               | 9612910310                    | 9612910317                    | 9612910324                    |
|                                  | 1    | Pump casing, ISO .....                           | 9612910304               | 9612910311                    | 9612910318                    | 9612910325                    |
|                                  | 1    | Pump casing, BS .....                            | 9612910305               | 9612910312                    | 9612910319                    | 9612910326                    |
|                                  | 1    | Pump casing, DS .....                            | 9612910306               | 9612910313                    | 9612910320                    | 9612910327                    |
|                                  | 1    | Pump casing, sanitary flanges .....              | 9612910307               | 9612910314                    | 9612910321                    | 9612910328                    |
| 26                               | □♦○■ | O-ring for casing, EPDM (standard) .....         | 9611994241               | 9611994245                    | 9611994249                    | 9611994253                    |
|                                  |      | O-ring for casing, NBR .....                     | 9611994242               | 9611994246                    | 9611994250                    | 9611994254                    |
|                                  |      | O-ring for casing, FPM .....                     | 9611994243               | 9611994247                    | 9611994251                    | 9611994255                    |
|                                  |      | O-ring for casing, FEP .....                     | 9611994244               | 9611994248                    | 9611994252                    | 9611994256                    |
| 55                               | 1    | Clamp set .....                                  | 9612915401               | 9612915402                    | 9612915403                    | 9612915404                    |
| 37                               | 1    | Impeller, std. blasted .....                     | 9612911502               | 9612911802                    | 9612912102                    | 9612912402                    |
|                                  | 1    | Impeller, Mech Ra ≤ 0.8 .....                    | 9612911506               | 9612911806                    | 9612912106                    | 9612912406                    |
| 36                               | 1    | Impeller screw, std. blasted Ra ≤ 1.6 .....      | 9612362701               | 9612362701                    | 9612362701                    | 9612362701                    |
|                                  | 1    | Impeller screw, Mech Ra ≤ 0.8 .....              | 9612362703               | 9612362703                    | 9612362703                    | 9612362703                    |
| 38                               | □♦○■ | O-ring for impeller screw, EPDM (standard) ..... | 9611992750               | 9611992750                    | 9611992750                    | 9611992750                    |
|                                  | 1    | O-ring for impeller screw, NBR .....             | 9611992751               | 9611992751                    | 9611992751                    | 9611992751                    |
|                                  | 1    | O-ring for impeller screw, FPM .....             | 9611992752               | 9611992752                    | 9611992752                    | 9611992752                    |
|                                  | 1    | O-ring for impeller screw, FEP .....             | 9611993539               | 9611993539                    | 9611993539                    | 9611993539                    |
| 25                               | 1    | Back plate, std. blasted .....                   | 9612911405               | 9612911406                    | 9612911407                    | 9612911408                    |
|                                  | 1    | Back plate, Mech Ra ≤ 0.8 .....                  | 9612911409               | 9612911410                    | 9612911411                    | 9612911412                    |
| 20                               | 4    | Nut .....  | 9611990353               | 9611990353                    | 9611990353                    | 9611990353                    |
| 21                               | 4    | Washer .....                                     | 9611990786               | 9611990786                    | 9611990786                    | 9611990786                    |



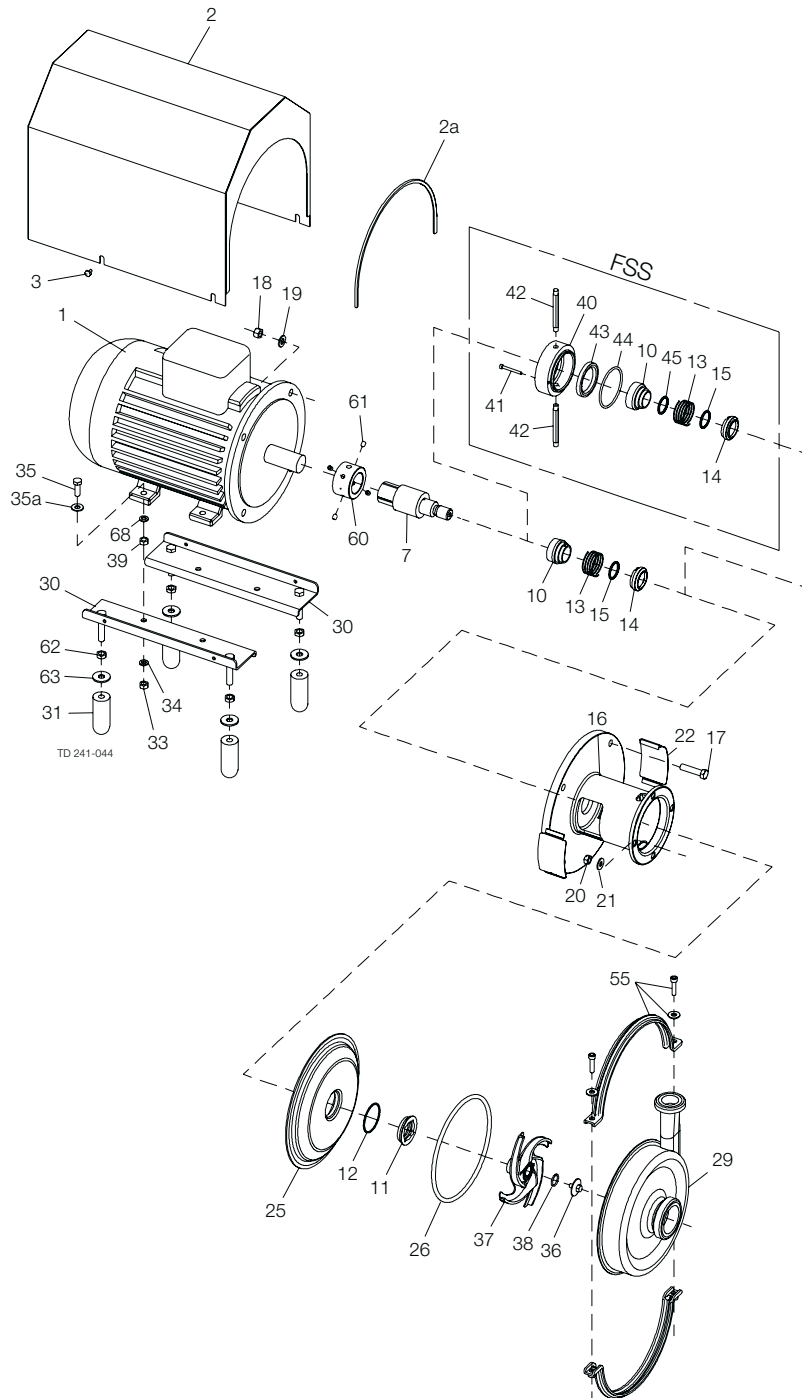
## SolidC - Motor Depended Parts

| Pos                          | Qty | Denomination  | IEC90      | IEC100     | IEC112     | IEC132     | IEC160     | IEC160     |
|------------------------------|-----|---|------------|------------|------------|------------|------------|------------|
| <b>Motor dependent parts</b> |     |   |            |            |            |            |            |            |
| 2                            | 1   | Shroud .....  | 9612919101 | 9612919105 | 9612919102 | 9612919103 | 9612919104 | 9612919104 |
| 2a                           | 1   | Edge list for shroud, (included in pos. "shroud") ..... |            |            |            |            |            |            |
| 3                            | 4   | Screw for shroud .....                                  | 9611993240 | 9611993240 | 9611993240 | 9611993240 | 9611993240 | 9611993240 |
| 7                            | 1   | Shaft .....   | 9612913201 | 9612913301 | 9612913301 | 9612913401 | 9612913501 | 9612913501 |
| 16                           | 1   | Adaptor .....   | 9613459301 | 9613459302 | 9613459302 | 9613459303 | 9613459304 | 9613459304 |
| 17                           | 4   | Screw for adaptor .....                                 | 9611991374 | 9611992162 | 9611992162 | 9611992162 | 9611992164 | 9611992164 |
| 18                           | 4   | Nut for adaptor .....                                   | 9611990353 | 9611990587 | 9611990587 | 9611990587 | 9611992160 | 9611992160 |
| 19                           | 4   | Washer for adaptor .....                                | 9611991887 | 9611990676 | 9611990676 | 9611990676 | 9611991886 | 9611991886 |
| 22                           | 2   | Covers .....  | 9612916801 | 9612916801 | 9612916801 | 9612916801 | 9612916801 | 9612916801 |
| 60                           | 1   | Comp. ring .....  | 9612914201 | 9612914202 | 9612914202 | 9612914203 | 9612914401 | 9612914401 |
| 61                           | 4   | Screw for comp. ring .....                              | 9611994258 | 9611994258 | 9611994258 | 9611994259 | 9611994259 | 9611994259 |
| 30                           | 2   | Bracket .....   | 9612917401 | 9612917402 | 9612917403 | 9612917404 | 9612917405 | 9612917406 |
| 31                           | 4   | Legs .....  | 3146012481 | 3146012481 | 3146012481 | 3146012481 | 3146012481 | 3146012481 |
| 33                           | 4   | Nut for legs .....                                      | 9611990360 | 9611990353 | 9611990353 | 9611990353 | 9611990587 | 9611990587 |
| 34                           | 4   | Spring washer for legs .....                            | 9611991888 | 9611991887 | 9611991887 | 9611991887 | 9611990676 | 9611990676 |
| 35                           | 4   | Screw for legs .....                                    | 9611993241 | 9611991911 | 9611991911 | 9611991911 | 9611992162 | 9611992162 |
| 35a                          | 4   | Washer for legs .....                                   |            | 9611990786 | 9611990786 | 9611990786 | 9611990706 | 9611990706 |
| 62                           | 4   | Nut for legs .....                                      | 9611991829 | 9611991829 | 9611991829 | 9611991829 | 9611991829 | 9611991829 |
| 63                           | 4   | Washer for legs .....                                   | 3146001041 | 3146001041 | 3146001041 | 3146001041 | 3146001041 | 3146001041 |
| 39                           | 4   | Spacer for legs .....                                   |            | 9615309301 |            |            |            |            |
| 68                           | 4   | Washer for legs .....                                   |            | 3146001041 |            |            |            |            |

| Pos | Qty | Denomination            | 1.5 kW     | 2.2 kW     | 3 kW       | 4 kW       | 5.5 kW     |
|-----|-----|-------------------------|------------|------------|------------|------------|------------|
|     |     |                         | IEC90      | IEC90      | IEC100     | IEC112     | IEC132     |
| 1   | 1   | Motor WEG 3000rpm ..... | 9614303101 | 9614303102 | 9614303103 | 9614303104 | 9614303105 |

| Pos | Qty | Denomination             | 7.5 kW     | 11 kW      | 15 kW      | 18.5 kW    | 22 kW      |
|-----|-----|--------------------------|------------|------------|------------|------------|------------|
|     |     |                          | IEC132     | IEC160     | IEC160     | IEC160     | IEC160     |
| 1   | 1   | Motor WEG, 3000rpm ..... | 9614303106 | 9614303107 | 9614303108 | 9614303109 | 9614303110 |

3 ~, 50 Hz, 220-240VD/380-415VY - Standard ≤ 22 kW  
 3 ~, 60 Hz, 460VY - Standard ≤ 22 kW

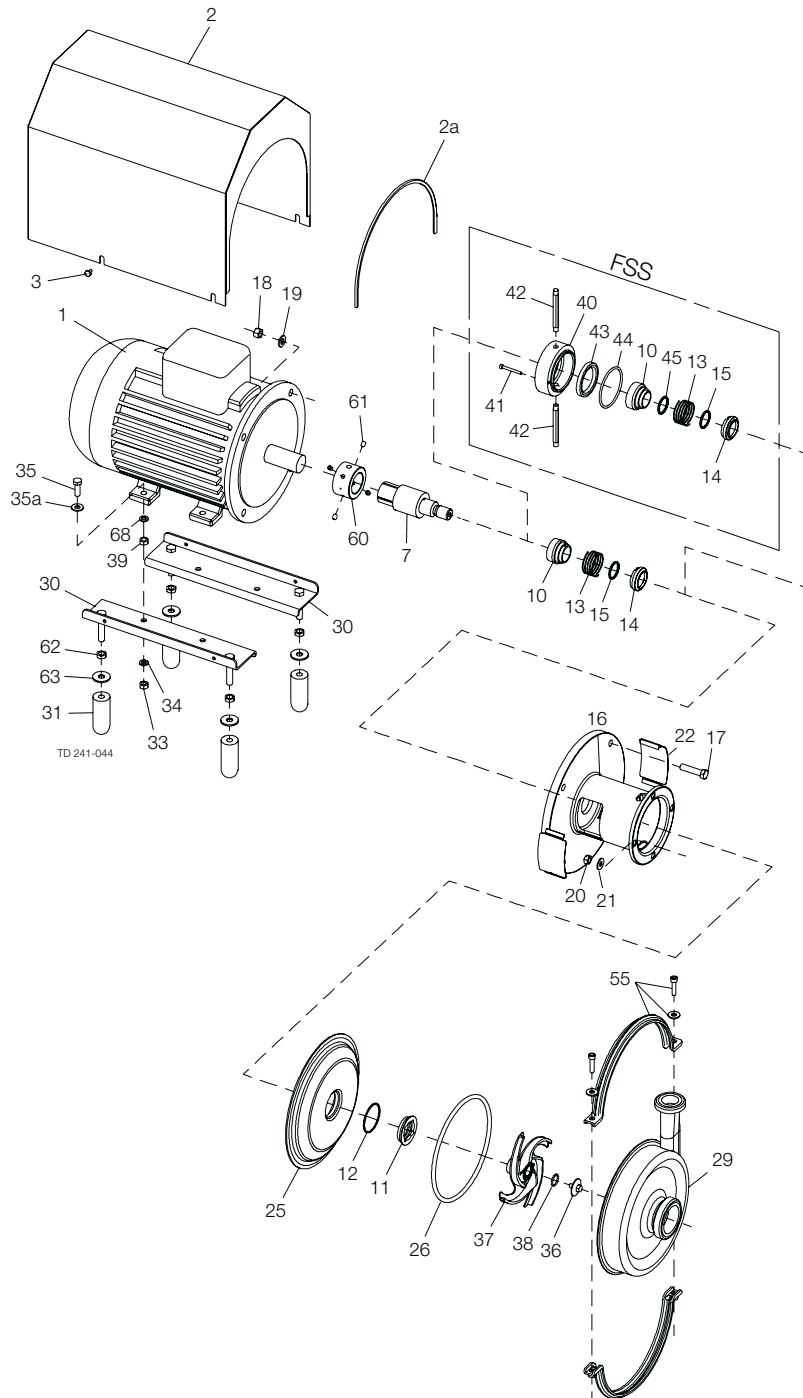




# SolidC - Shaft seal and service kits

| Pos                                 | Qty | Denomination                         | SolidC 1 - 4 |
|-------------------------------------|-----|--------------------------------------|--------------|
| <b>Accessories</b>                  |     |                                      |              |
| 1                                   | 1   | Tool for seal .....                  | 9612903601   |
|                                     | 1   | Impeller gauge .....                 | 9612912801   |
| <b>Parts for flushed shaft seal</b> |     |                                      |              |
| 40                                  | 1   | Seal housing .....                   | 9612133901   |
| 41                                  | 2   | Screw for seal housing .....         | 9611990203   |
| 42                                  | 2   | Tube .....                           | 9612358914   |
| <b>Drive ring</b>                   |     |                                      |              |
| 10                                  | 1   | Drive ring, Single shaft seal .....  | 9614206001   |
|                                     | 1   | Drive ring, Flushed shaft seal ..... | 9612926801   |

| Pos  | Qty | Denomination                         | SolidC 1-4<br>EPDM | SolidC 1-4<br>NBR | SolidC 1-4<br>FPM | SolidC 1-4<br>FEP |
|--|-----|--------------------------------------|--------------------|-------------------|-------------------|-------------------|
| <b>Single shaft seal (standard)</b>        |     |                                      |                    |                   |                   |                   |
|  | □   | Complete shaft seal, C/SiC .....     | 9612129609         | 9612129610        | 9612129611        | 9612129612        |
| 11   | 1   | Stationary seal ring, SiC .....      |                    |                   |                   |                   |
| 12   | 1   | O-ring, EPDM .....                   |                    |                   |                   |                   |
| 13   | 1   | Spring .....                         |                    |                   |                   |                   |
| 14   | 1   | Rotating seal ring, Carbon .....     |                    |                   |                   |                   |
| 15   | 1   | O-ring, EPDM .....                   |                    |                   |                   |                   |
| <b>Alternatives for single shaft seal</b>  |     |                                      |                    |                   |                   |                   |
|  | ○   | Complete shaft seal, SiC/SiC .....   | 9612129605         | 9612129606        | 9612129607        | 9612129608        |
| 11   | 1   | Stationary seal ring, SiC .....      |                    |                   |                   |                   |
| 12   | 1   | O-ring, EPDM .....                   |                    |                   |                   |                   |
| 13   | 1   | Spring .....                         |                    |                   |                   |                   |
| 14   | 1   | Rotating seal ring, SiC .....        |                    |                   |                   |                   |
| 15   | 1   | O-ring, EPDM .....                   |                    |                   |                   |                   |
| <b>Flushed shaft seal (standard)</b>       |     |                                      |                    |                   |                   |                   |
|  | ◆   | Complete shaft seal, C/SiC .....     | 9612919301         | 9612919302        | 9612919303        | 9612919304        |
| 11   | 1   | Stationary seal ring, SiC .....      |                    |                   |                   |                   |
| 12   | 1   | O-ring, EPDM .....                   |                    |                   |                   |                   |
| 13   | 1   | Spring .....                         |                    |                   |                   |                   |
| 14   | 1   | Rotating seal ring, Carbon .....     |                    |                   |                   |                   |
| 15   | 1   | O-ring, EPDM .....                   |                    |                   |                   |                   |
| 43   | 1   | Lip seal .....                       |                    |                   |                   |                   |
| 44   | 1   | O-ring for seal housing, EPDM .....  |                    |                   |                   |                   |
| 45   | 1   | O-ring for drive ring .....          |                    |                   |                   |                   |
| <b>Alternatives for flushed shaft seal</b> |     |                                      |                    |                   |                   |                   |
|  | ★   | Complete shaft seal, SiC/SiC .....   | 9612919305         | 9612919306        | 9612919307        | 9612919308        |
| 11   | 1   | Stationary seal ring, SiC .....      |                    |                   |                   |                   |
| 12   | 1   | O-ring, EPDM .....                   |                    |                   |                   |                   |
| 13   | 1   | Spring .....                         |                    |                   |                   |                   |
| 14   | 1   | Rotating seal ring, SiC .....        |                    |                   |                   |                   |
| 15   | 1   | O-ring, EPDM .....                   |                    |                   |                   |                   |
| 43   | 1   | Lip seal .....                       |                    |                   |                   |                   |
| 44   | 1   | O-ring for seal housing , EPDM ..... |                    |                   |                   |                   |
| 45   | 1   | O-ring for drive ring .....          |                    |                   |                   |                   |



**SolidC - Shaft seal and service kits**

|   |                                       | EPDM       | NBR        | FPM        | FEP        |
|---|---------------------------------------|------------|------------|------------|------------|
| <b>Service kit for single shaft seal C/SiC</b>    |                                       |            |            |            |            |
| □   | Service kit, C/SiC (SolidC-1) .....   | 9611922454 | 9611922455 | 9611922456 | 9611922457 |
| □   | Service kit, C/SiC (SolidC-2) .....   | 9611922471 | 9611922472 | 9611922473 | 9611922474 |
| □   | Service kit, C/SiC (SolidC-3) .....   | 9611922487 | 9611922488 | 9611922489 | 9611922490 |
| □   | Service kit, C/SiC (SolidC-4) .....   | 9611922503 | 9611922504 | 9611922505 | 9611922506 |
| <b>Service kit for single shaft seal SiC/SiC</b>  |                                       |            |            |            |            |
| ○   | Service kit, SiC/SiC (SolidC-1) ..... | 9611922811 | 9611922812 | 9611922813 | 9611922814 |
| ○   | Service kit, SiC/SiC (SolidC-2) ..... | 9611922819 | 9611922820 | 9611922821 | 9611922822 |
| ○   | Service kit, SiC/SiC (SolidC-3) ..... | 9611922827 | 9611922828 | 9611922829 | 9611922830 |
| ○   | Service kit, SiC/SiC (SolidC-4) ..... | 9611922835 | 9611922836 | 9611922837 | 9611922838 |
| <b>Service kit for flushed shaft seal C/SiC</b>   |                                       |            |            |            |            |
| ◆   | Service kit, C/SiC (SolidC-1) .....   | 9611922462 | 9611922463 | 9611922464 | 9611922465 |
| ◆   | Service kit, C/SiC (SolidC-2) .....   | 9611922479 | 9611922480 | 9611922481 | 9611922482 |
| ◆   | Service kit, C/SiC (SolidC-3) .....   | 9611922495 | 9611922496 | 9611922497 | 9611922498 |
| ◆   | Service kit, C/SiC (SolidC-4) .....   | 9611922511 | 9611922512 | 9611922513 | 9611922514 |
| <b>Service kit for flushed shaft seal SiC/SiC</b> |                                       |            |            |            |            |
| *   | Service kit, SiC/SiC (SolidC-1) ..... | 9611922815 | 9611922816 | 9611922817 | 9611922818 |
| *   | Service kit, SiC/SiC (SolidC-2) ..... | 9611922823 | 9611922824 | 9611922825 | 9611922826 |
| *   | Service kit, SiC/SiC (SolidC-3) ..... | 9611922831 | 9611922832 | 9611922833 | 9611922834 |
| *   | Service kit, SiC/SiC (SolidC-4) ..... | 9611922839 | 9611922840 | 9611922841 | 9611922842 |

Parts marked with □◆○★❖◆■⊕ are included in the service kits.

Recommended spare parts: Service kits.

Conversion single to flushed shaft seal : Please order flushed service kit + pos. 10 + 40 + 41 + 42

(900624/6)

**How to contact Alfa Laval**

Contact details for all countries are continually updated on our website.

Please visit [www.alfalaval.com](http://www.alfalaval.com) to access the information directly.

© Alfa Laval Corporate AB

This document and its contents is owned by Alfa Laval Corporate AB and protected by laws governing intellectual property and thereto related rights. It is the responsibility of the user of this document to comply with all applicable intellectual property laws. Without limiting any rights related to this document, no part of this document may be copied, reproduced or transmitted in any form or by any means (electronic, mechanical, photocopying, recording, or otherwise), or for any purpose, without the expressed permission of Alfa Laval Corporate AB. Alfa Laval Corporate AB will enforce its rights related to this document to the fullest extent of the law, including the seeking of criminal prosecution.