



Spare Parts

Alfa Laval Safety Valve



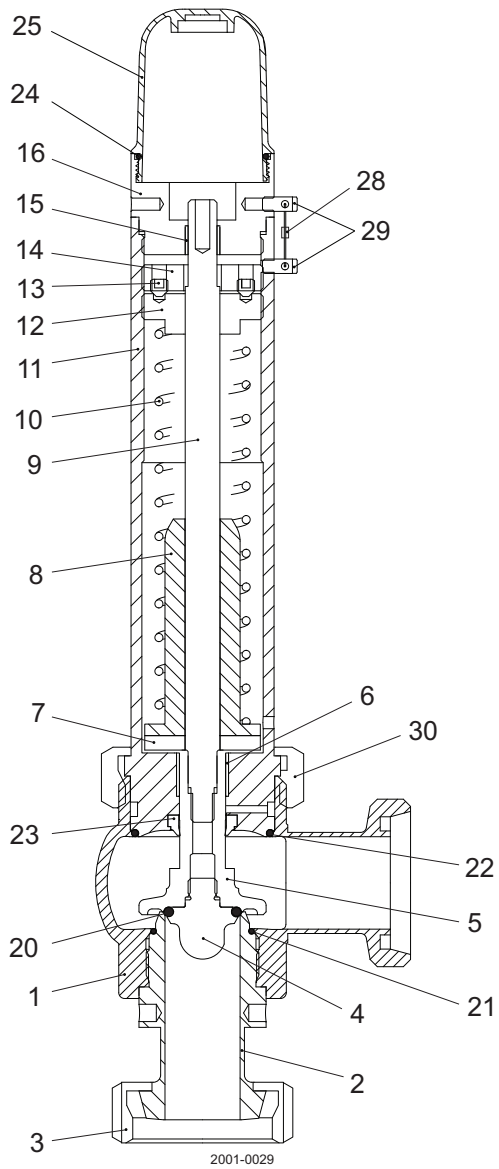
ESE03137-EN2 2018-11

Original manual

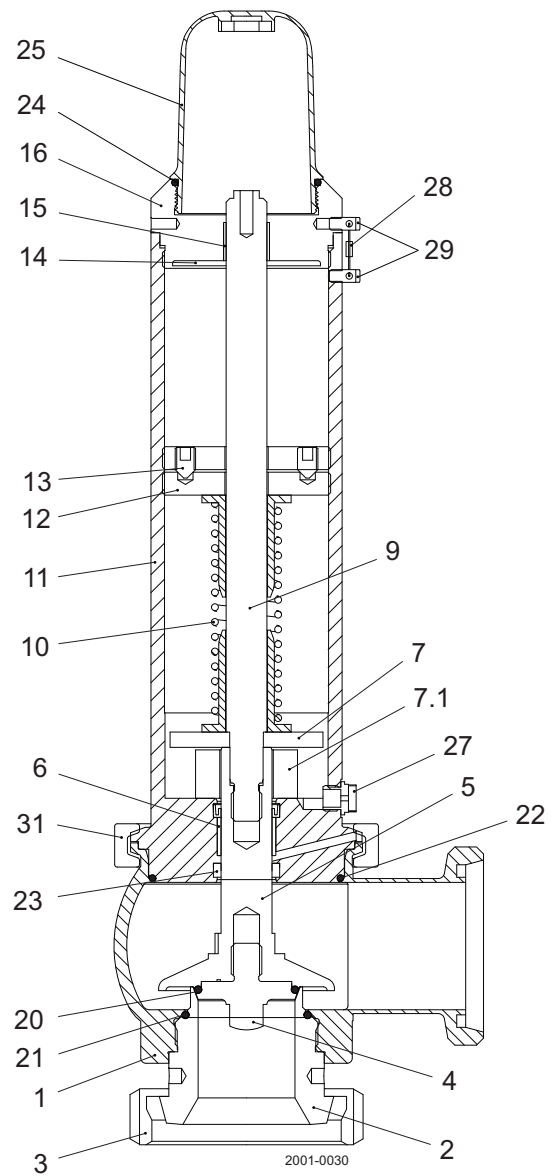
The information herein is correct at the time of issue but may be subject to change without prior notice

1. Standard, sizes DN25-DN100	4
2. Standard with inductive sensor, sizes DN25-DN100	6
3. Pneumatic lifting with inductive sensor, sizes DN25-DN100	8
4. Manual lifting, sizes DN25-DN100	10

DN25



DN40-DN100



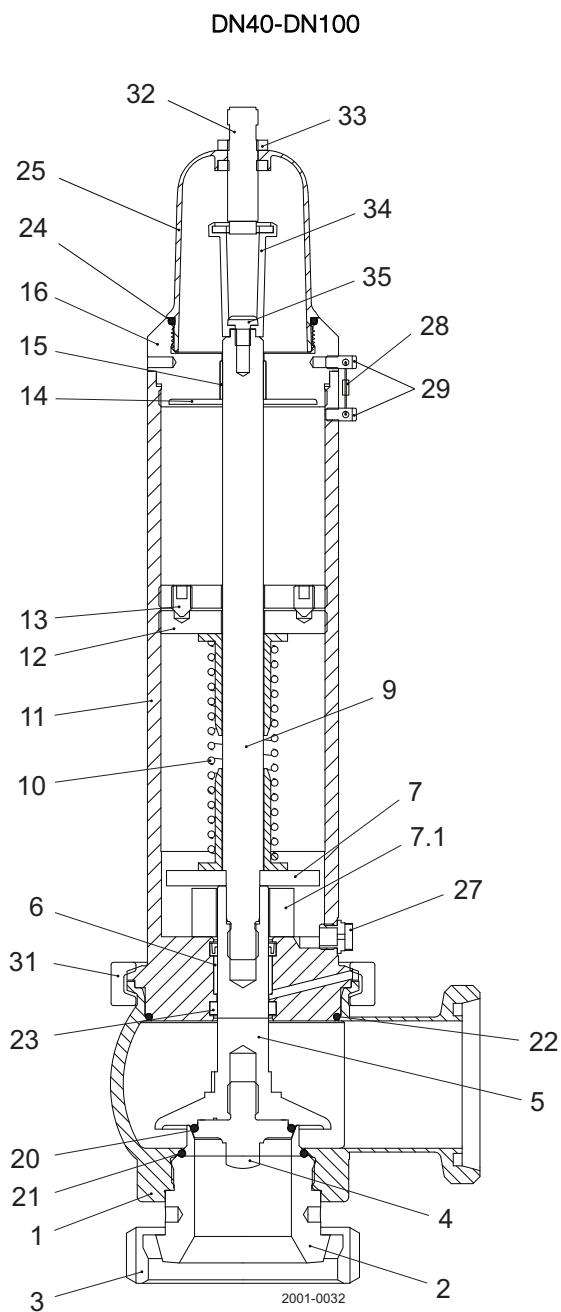
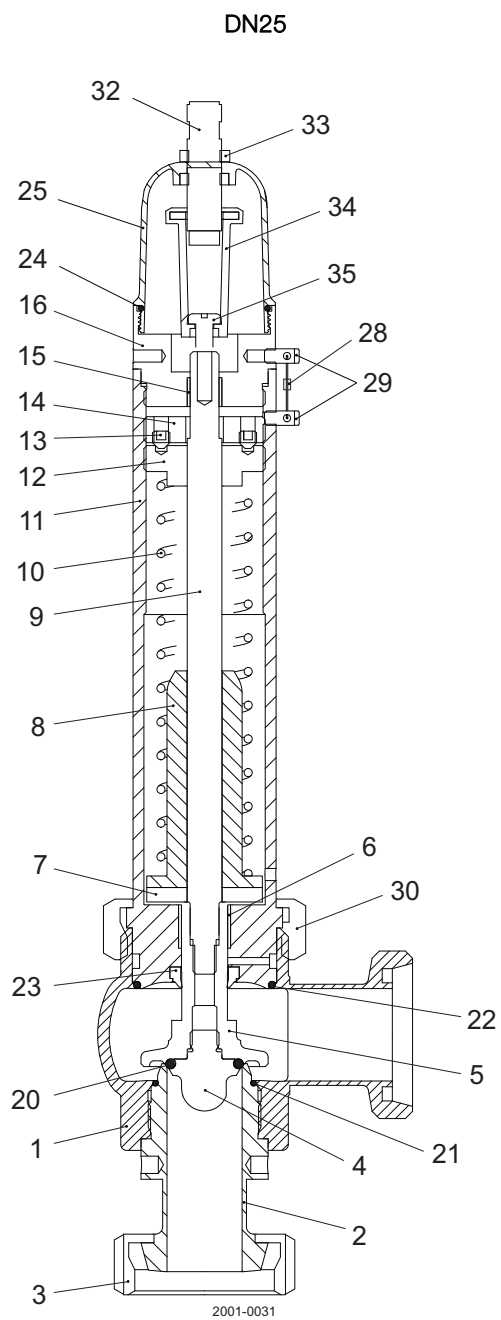
Standard, sizes DN25-DN100

Pos	Qty	Denomination	DN25	DN40-100
1	1	Body		
2	1	Screw-in socket		
3	1	Slotted nut		
4	1	Piston plate		
5	1	Piston		
6	1	Plain bearing		
7	1	Spring disc		
7.1	1	Distance ring		
8	1	Spring guide		
9	1	Piston rod		
10	1	Pressure spring		
11	1	Spring housing		
12	1	Setting disc		
13	2	Headless pin		
14	1	Locking disc		
15	1	Plain bearing		
16	1	Cover plate		
20 ▲	1	O-ring		
21 ▲	1	O-ring		
22 ▲	1	O-ring		
23 ▲	1	Shaft sealing		
24	1	O-ring		
25	1	Hood		
25.1	1	Hood incl. o-ring (pos. 24)	9615441401	9615441402
27	1	Screw plug - deaeration		
28	1	SealingSer		
29	2	Screw		
30	1	Slotted nut		
31	1	Clamp coupling		

Service kits

		DN25	DN40	DN50	DN65	DN80	DN100
▲	Service kit, EPDM	9614446901	9614446902	9614446903	9614446904	9614446905	9614446906

900-728

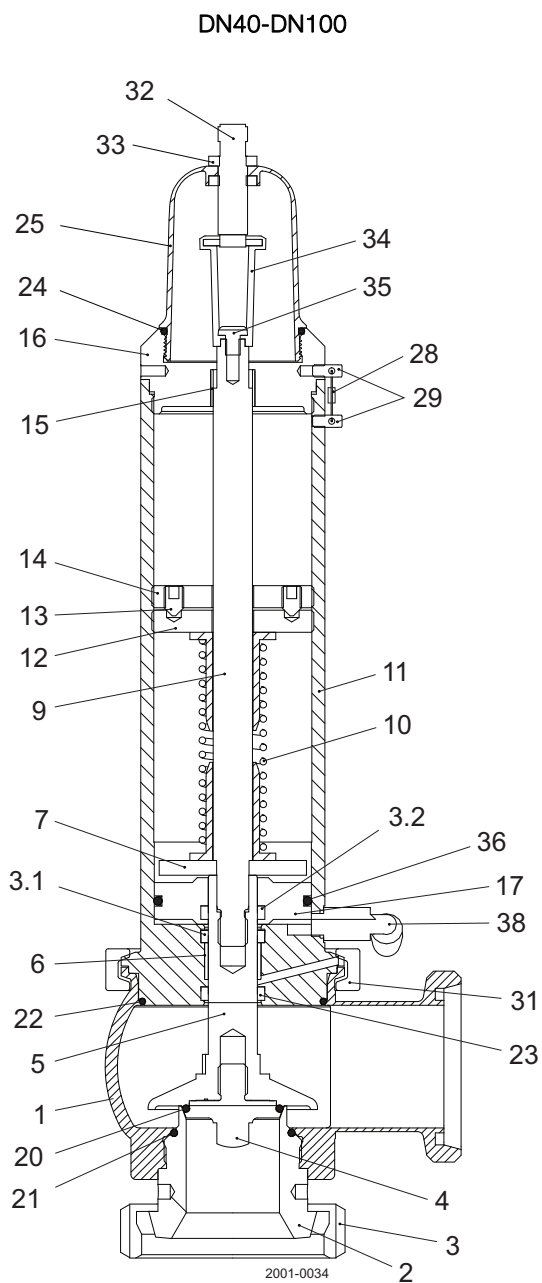
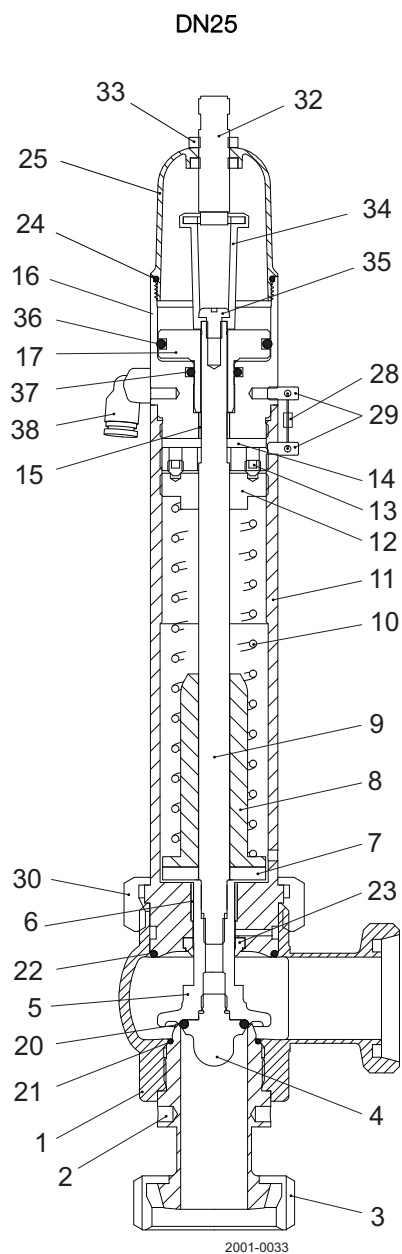


Standard with inductive sensor, sizes DN25-DN100

Pos	Qty	Denomination	DN25	DN40-100
1	1	Body		
2	1	Screw-in socket		
3	1	Slotted nut		
4	1	Piston plate		
5	1	Piston		
6	1	Plain bearing		
7	1	Spring disc		
7.1	1	Distance ring		
8	1	Spring guide		
9	1	Piston rod		
10	1	Pressure spring		
11	1	Spring housing		
12	1	Setting disc		
13	2	Headless pin		
14	1	Locking disc		
15	1	Plain bearing		
16	1	Cover plate		
20 ▲	1	O-ring		
21 ▲	1	O-ring		
22 ▲	1	O-ring		
23 ▲	1	Shaft sealing		
24	1	O-ring		
25	1	Hood		
25.1	1	Hood incl. o-ring (pos. 24)	9615441403	9615441404
27	1	Screw plug - deaeration		
28	1	Sealing		
29	2	Screw		
30	1	Slotted nut		
31	1	Clamp coupling		
32	1	Sensor		
33	1	Nut		
34	1	Bracket		
35	1	Screw		

Service kits

		DN25	DN40	DN50	DN65	DN80	DN100
▲	Service kit, EPDM	9614446901	9614446902	9614446903	9614446904	9614446905	9614446906

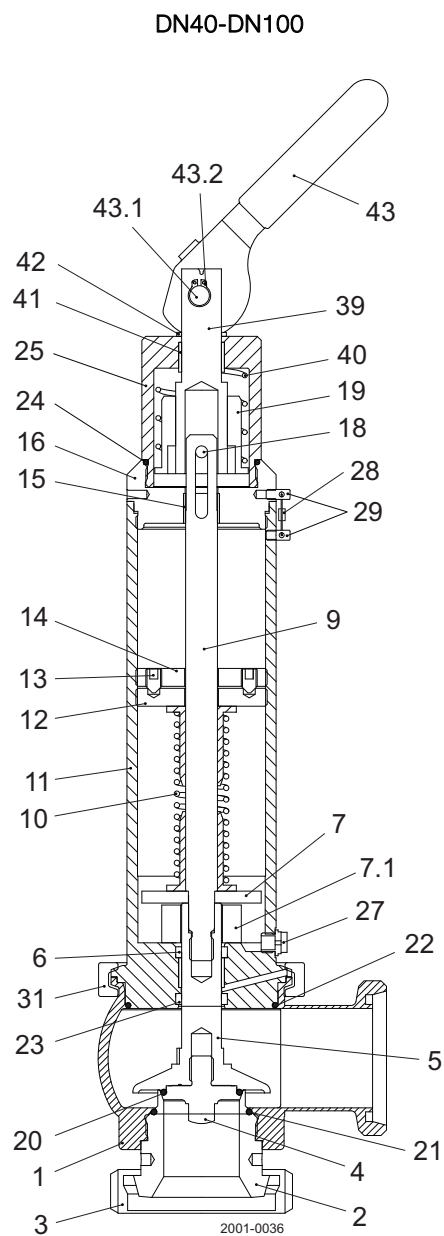
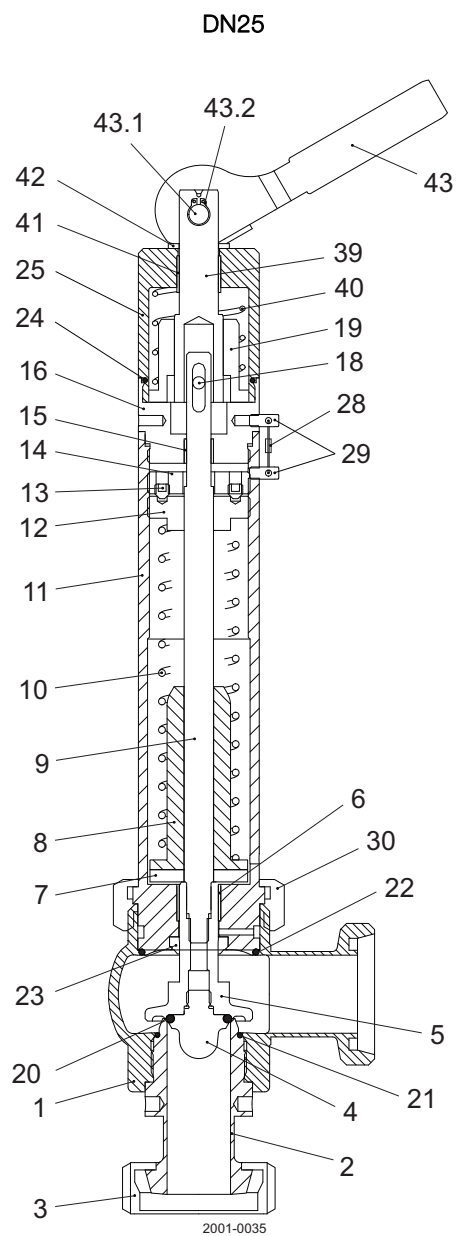


Pneumatic lifting with inductive sensor, sizes DN25-DN100

Pos	Qty	Denomination	DN25	DN40-100
1	1	Body		
2	1	Screw-in socket		
3	1	Slotted nut		
3.1	1	Sealing		
3.2	1	Sealing		
4	1	Piston plate		
5	1	Piston		
6	1	Plain bearing		
7	1	Spring disc		
8	1	Spring guide		
9	1	Piston rod		
10	1	Pressure spring		
11	1	Spring housing		
12	1	Setting disc		
13	2	Headless pin		
14	1	Locking disc		
15	1	Plain bearing		
16	1	Cover plate		
17	1	Piston		
20 ▲	1	O-ring		
21 ▲	1	O-ring		
22 ▲	1	O-ring		
23 ▲	1	Shaft sealing		
24	1	O-ring		
25	1	Hood		
25.1	1	Hood incl. o-ring (pos. 24)	9615441403	9615441404
28	1	Sealing		
29	2	Screw		
30	1	Slotted nut		
31	1	Clamp coupling		
32	1	Sensor		
33	1	Nut		
34	1	Bracket		
35	1	Screw		
36	1	O-ring		
37	1	O-ring		
38	1	Air connection		

Service kits

		DN25	DN40	DN50	DN65	DN80	DN100
▲	Service kit, EPDM	9614446901	9614446902	9614446903	9614446904	9614446905	9614446906



Pos	Qty	Denomination
1	1	Body
2	1	Screw-in socket
3	1	Slotted nut
4	1	Piston plate
5	1	Piston
6	1	Plain bearing
7	1	Spring disc
8	1	Spring guide
9	1	Piston rod
10	1	Pressure spring
11	1	Spring housing
12	1	Setting disc
13	2	Headless pin
14	1	Locking disc
15	1	Plain bearing
16	1	Cover plate
18	1	Pin
19	1	Spring guide
20 ▲	1	O-ring
21 ▲	1	O-ring
22 ▲	1	O-ring
23 ▲	1	Shaft sealing
24	1	O-ring
25	1	Hood
27	1	Screw plug - deaeration
28	1	Sealing
29	2	Screw
30	1	Slotted nut
31	1	Clamp coupling
39	1	Rod
40	1	Pressure spring
41	1	Bearing
42	1	Disc
43	1	Lever
43.1	1	Pin
43.2	1	Circlip

Service kits

		DN25	DN40	DN50	DN65	DN80	DN100
▲	Service kit, EPDM	9614446901	9614446902	9614446903	9614446904	9614446905	9614446906

How to contact Alfa Laval

Contact details for all countries are continually updated on our website.

Please visit www.alfalaval.com to access the information directly.

© Alfa Laval Corporate AB

This document and its contents is owned by Alfa Laval Corporate AB and protected by laws governing intellectual property and thereto related rights. It is the responsibility of the user of this document to comply with all applicable intellectual property laws. Without limiting any rights related to this document, no part of this document may be copied, reproduced or transmitted in any form or by any means (electronic, mechanical, photocopying, recording, or otherwise), or for any purpose, without the expressed permission of Alfa Laval Corporate AB. Alfa Laval Corporate AB will enforce its rights related to this document to the fullest extent of the law, including the seeking of criminal prosecution.