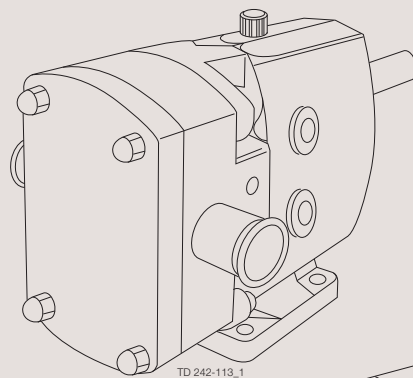


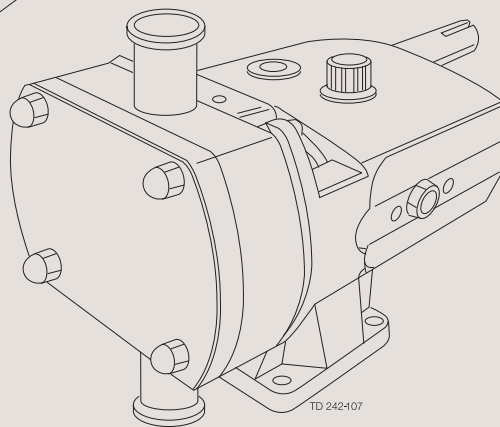


Spare Parts

SX Rotary Lobe Pumps



TD 242-113_1



TD 242-107

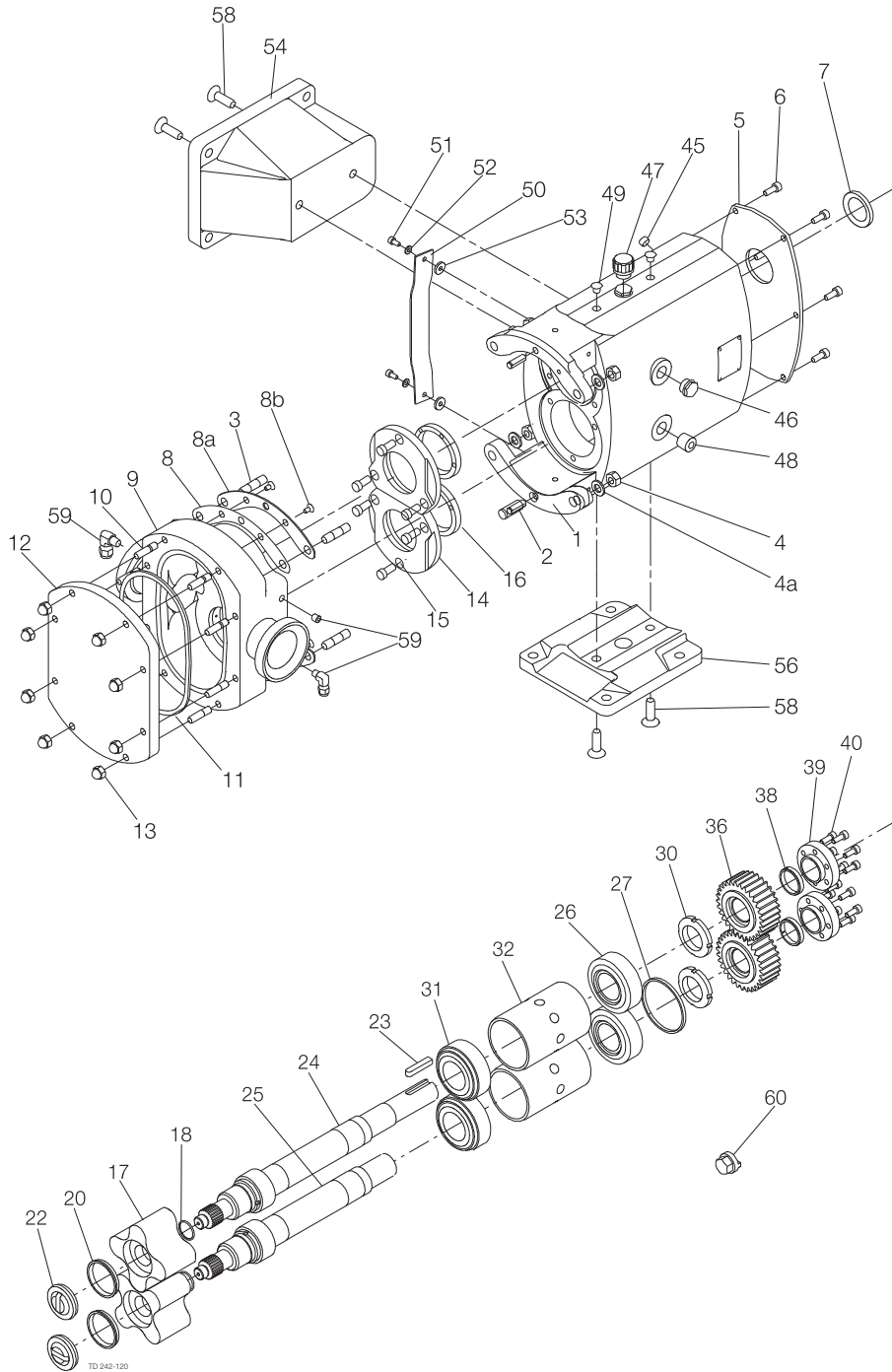
ESE01944-EN2 2017-12

Original manual

Table of contents

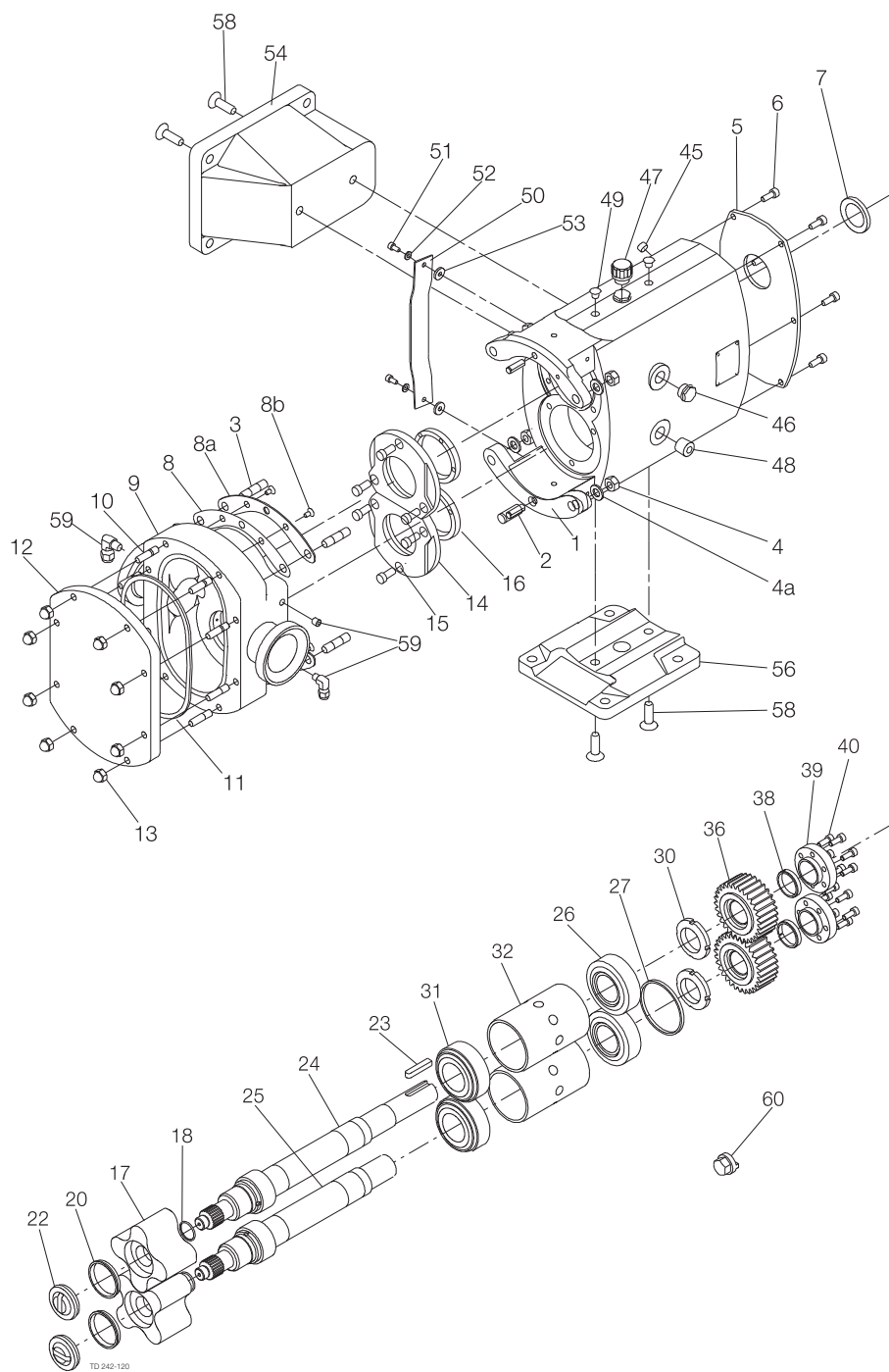
The information herein is correct at the time of issue but may be subject to change without prior notice

1. SX-1 Rotary Lobe Pumps	4
2. SX-2 Rotary Lobe Pumps	6
3. SX-3 Rotary Lobe Pumps	8
4. SX-4 Rotary Lobe Pumps	10
5. SX-5 Rotary Lobe Pumps	12
6. SX-6 Rotary Lobe Pumps	14
7. SX-7 Rotary Lobe Pumps	16
8. SX 1-7, Cover / Rotor Seal Kits	18
9. Service Kits (R00 Single Mechanical Seals) - SX Pump Range	20
10. R00 Single Mechanical Seals (Complete) - SX Pump Range	22
11. R00 Single Flushed Mechanical Seals (Complete) - SX Pump Range	26
12. R00 Double Mechanical Seals (Complete) - SX1-SX2 Pump Models	30
13. R00 Double Mechanical Seals (Complete) - SX3 and SX4 Pump Models	32
14. R00 Double Mechanical Seals (Complete) - SX5-7 Pump Models	34
15. R00 Mechanical Seals (Parts) - SX1 and SX2 Pump Models	38
16. R00 Mechanical Seals (Parts) - SX3 and SX4 Pump Models	39
17. R00 Mechanical Seals (Parts) - SX5 and SX6 Pump Models	40
18. R00 Mechanical Seals (Parts) - SX7 Pump Models	41
19. SX ATEX Parts	42
20. Revision History - SX Pump	43



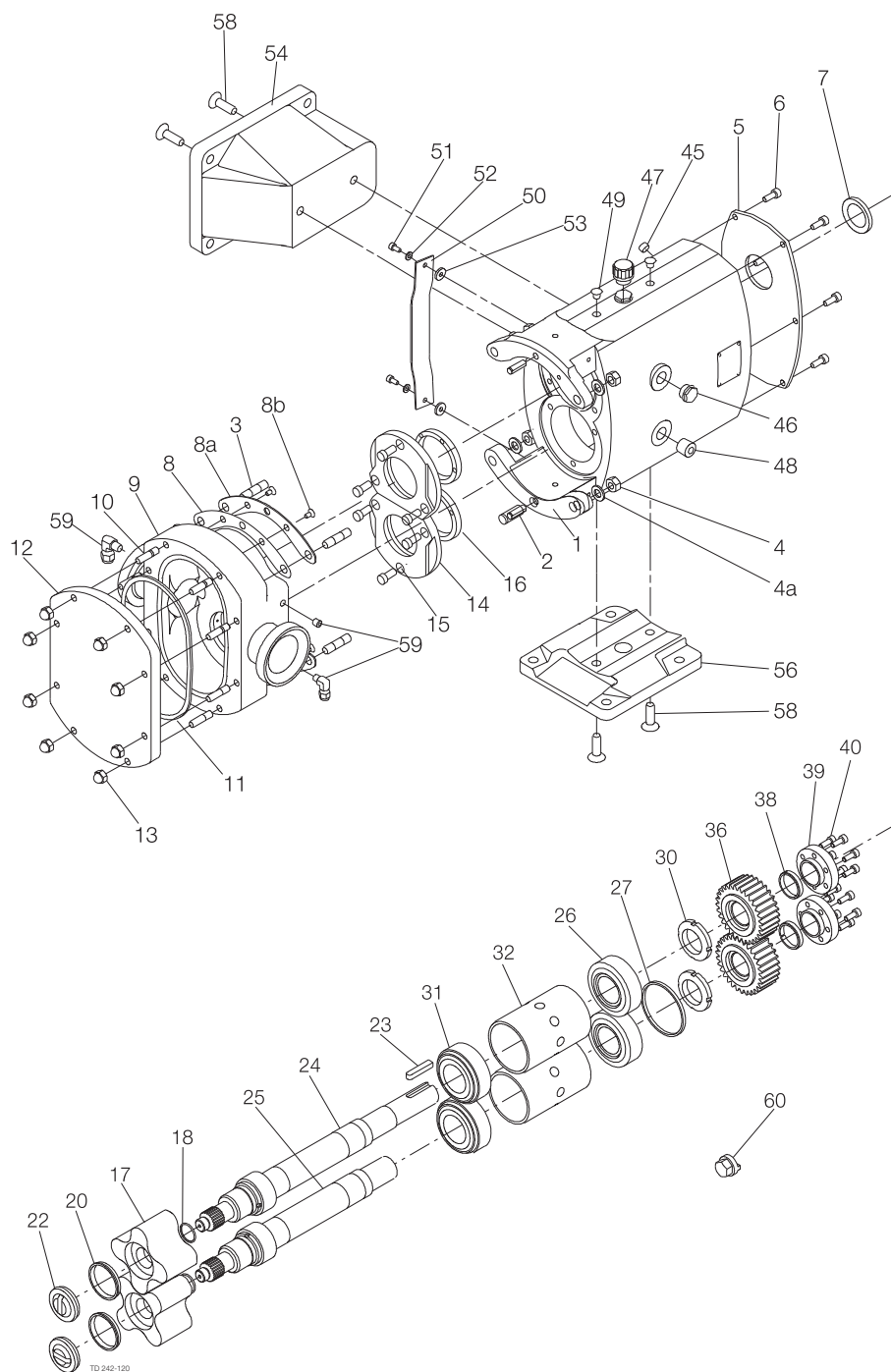
SX-1 Rotary Lobe Pumps

Pos	Qty	Denomination	Reference Part	
			No.	Item No.
1	1	Gearcase	5220,511	9630070599
2	2	Dowel	5170,025	9630030093
3	4	Stud, rotorcase retention & cover retention, SX1/005	6350,146	9630074135
	4	Stud, rotorcase retention, SX1/007	6350,135	9630052259
4	4	Nut, rotorcase retention	5330,003	9630024057
4a	4	Washer, rotorcase retention	6400,036	9630024231
5	1	Cover gearcase	5120,161	9630070842
6	6	Screw gearcase cover	5990,045	9630030332
7	1	Lip seal, rear	5310,078	9630032806
8	1	Shim - standard, (for ATEX pump see 'ATEX Parts') Polymex	6150.150	9630034305
		set		
8a	2	Shim retainer	6150,261	9630050684
8b	4	Screw, shim retainer	6000,010	9630050533
9	1	Rotorcase, 1" (25mm) connections DIN11851, SX1/005	9003.090S	9630102095
	1	Rotorcase, 1" (25mm) connections ISS/IDF, SX1/005	9003.042S	9630102094
	1	Rotorcase, 1" (25mm) connections RJT, SX1/005	9003.034S	9630102096
	1	Rotorcase, 1" (25mm) connections SMS, SX1/005	9003.074S	9630102093
	1	Rotorcase, 1" (25mm) connections Tri-clamp	9003.082S	9630102092
	1	Rotorcase, 1.1/2" (40mm) connections DIN11851, SX1/007	9004.276S	9630102116
	1	Rotorcase, 1.1/2" (40mm) connections ISS/IDF, SX1/007	9004.318S	9630102115
	1	Rotorcase, 1.1/2" (40mm) RJT, SX1/007	9004.342S	9630102113
	1	Rotorcase, 1.1/2" (40mm) connections SMS, SX1/007	9004.253S	9630102114
	1	Rotorcase, 1.1/2" (40mm) connections Tri-clamp SX1/007	9004.274S	9630102112
10	4	Stud, rotorcase/cover retention, SX1/007	6350,135	9630052259
11	1	Compression joint, FPM	5381,101	9630070718
	1	Compression joint, Silicone	5381,104	9630070719
	1	Compression joint, EPDM	5381,105	9630070720
12	1	Cover, rotorcase	5130,431	9630070814
13	4	Dome nut, rotorcase cover	5340,029	9630024095
14	2	Retainer, seal	5560,081	9630070802
15	6	Screw, seal retainer	5990,045	9630030332
16	2	Lip seal, gland end	5310,138	9630072343
17	2	Rotor, Stainless Steel, 6 bar 150°C, SX1/005	5780.005FA	9630111925
	2	Rotor, Stainless Steel, 12 bar 150°C, SX1/007	5780.005M.A	9630112717
	2	Rotor, Stainless Steel, 7 bar 150°C, SX1/007	5780.007G.A	9630126009
20	2	Cup seal, rotor retainer, FPM	5382,001	9630070696
	2	Cup seal, rotor retainer, Silicone	5382,004	9630070698
	2	Cup seal, rotor retainer, EPDM	5382,005	9630070697
22	2	Rotor retainer	5900,201	9630070730
23	1	Key	5270,030	9630031498
24	1	Shaft, drive, SX1/005	6110,740	9630070799
	1	Shaft, drive, SX1/007	6110,741	9630070800
25	1	Shaft, auxiliary, SX1/005	6100,740	9630070798
	1	Shaft, auxiliary, SX1/007	6100,741	9630070801
26	2	Bearing, rear	5080,011	9630029026
27	1	Spacer, shaft abutment	5670.061.01	9630032664
30	2	Nut, bearing	5340,040	9630029135
31	2	Bearing, front	5080,011	9630029026
32	2	Spacer, bearing	5670,100	9630033403
36	2	Timing gear	5210,079	9630069308
38	2	Torque locking element	5615,013	9630025151
39	2	Clamp plate	5110,039	9630031371
40	6	Screw, clamp plate	5990,044	9630030096
45	2	Drain plug	1660,004	9630023546
46	1	Sight glass, standard (for ATEX pump see 'ATEX Parts')	5480,001	9630032778
47	1	Filler plug, standard (for ATEX pump see 'ATEX Parts')	31491.0052.1	9630018599
48	2	Plug	1660,008	9630023548
49	4	Blanking plug	5470,022	9630089950
50	2	Gland guard, standard (for ATEX pump see 'ATEX Parts')	5243,091	9630074944
51	4	Screw, gland guard	6000,010	9630050533
53	4	Washer, gland guard	6400,128	9630924711
54	1	Foot, vertical port	5225,401	9630070562
56	1	Foot, horizontal port	5225,301	9630070561
58	2	Screw, foot	6000,016	9630074795
60	1	Tool, rotor retainer	6380,191	9630070709



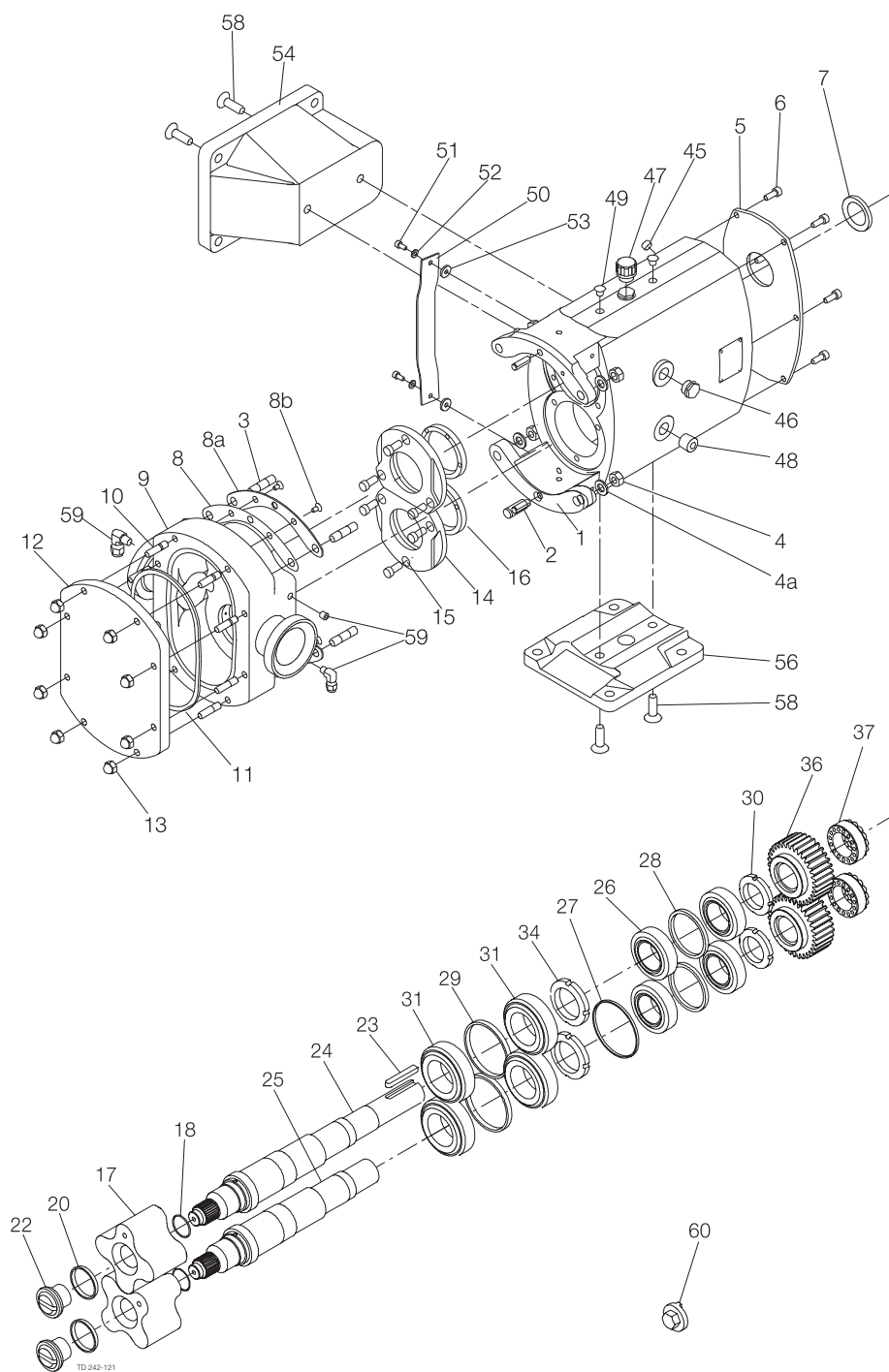
SX-2 Rotary Lobe Pumps

Pos	Qty	Denomination	Reference Part	
			No.	Item No.
1	1	Gearcase	5220,512	9630070054
2	2	Dowel	5170,025	9630030093
3	4	Stud, rotorcase retention	6350,136	9630052261
4	4	Nut, rotorcase retention	5330,000	9630024051
4a	4	Washer, rotorcase retention	6400,037	9630024233
5	1	Cover gearcase	5120,162	9630070008
6	6	Screw, gearcase cover	5990,052	9630021069
7	1	Lip seal, rear	5310,079	9630032807
8	1	Shim, standard (for ATEX pump see 'ATEX Parts') Polymex	6150.152	9630034199
	set			
8a	2	Shim retainer	6150,312	9630089541
8b	4	Screw, shim retainer	6000,010	9630050533
9	1	Rotorcase, 1.1/2" (40mm) DIN11851, SX2/013	9005.276S	9630102158
	1	Rotorcase, 1.1/2" (40mm) connections ISS/IDF, SX2/013	9005.318S	9630102159
	1	Rotorcase, 1.1/2" (40mm) connections RJT, SX2/013	9005.342S	9630102160
	1	Rotorcase, 1.1/2" (40mm) connections SMS, SX2/013	9005.253S	9630102161
	1	Rotorcase, 1.1/2" (40mm) connections Tri-clamp, SX2/013	9005.274S	9630102119
	1	Rotorcase, 2" (50mm) connections DIN11851, SX2/018	9006.235S	9630102162
	1	Rotorcase, 2" (50mm) connections ISS/IDF, SX2/018	9006.233S	9630102163
	1	Rotorcase, 2" (50mm) connections RJT, SX2/018	9006.232S	9630102164
	1	Rotorcase, 2" (50mm) connections SMS, SX2/018	9006.234S	9630102165
	1	Rotorcase, 2" (50mm) connections Tri-clamp, SX2/018	9006.271S	9630102166
10	4	Stud, rotorcase/cover retention	6350,094	9630024086
11	1	Compression joint, FPM	5381,201	9630070193
	1	Compression joint, Silicone	5381,204	9630070194
	1	Compression joint, EPDM	5381,205	9630070195
12	1	Cover, rotorcase	5130,432	9630069665
13	4	Dome nut, rotorcase cover	5340,047	9630029651
14	2	Retainer, seal	5560,082	9630069355
15	6	Screw, seal retainer	5990,052	9630021069
16	2	Lip seal, front	5310,107	9630043050
17	2	Rotor, Stainless Steel, 5 bar 150°C, SX2/013	5780.013E.A	9630103470
	2	Rotor, Stainless Steel, 15 bar 150°C, SX2/013	5780.013R.A	9630105398
	2	Rotor, Stainless Steel, 7 bar 150°C, SX2/018	5780.018G.A	9630110785
20	2	Cup seal, rotor retainer, FPM	5382,101	9630069429
	2	Cup seal, rotor retainer, Silicone	5382,104	9630069427
	2	Cup seal, rotor retainer, EPDM	5382,105	9630069424
22	2	Rotor retainer, SX2/013	5900,202	9630069548
	2	Rotor retainer, SX2/018	5900,212	9630070034
23	1	Key	5270,007	9630023916
24	1	Shaft, drive	6110,742	9630069668
25	1	Shaft, auxiliary	6100,742	9630069666
26	2	Bearing, rear	5080,022	9630069297
27	1	Spacer, shaft abutment	5670.168.01	9630069959
30	2	Nut, bearing	5340,041	9630029136
31	2	Bearing, front	5080,022	9630069297
32	2	Spacer, bearing	5670,162	9630069353
36	2	Timing gear	5210,077	9630069305
38	2	Torque locking element	5615,015	9630030115
39	2	Clamp plate	5110,040	9630031407
40	12	Screw, clamp plate	5990,007	9630024595
45	2	Drain plug	1660,004	9630023546
46	1	Sight glass, standard (for ATEX pump see 'ATEX Parts')	5480,001	9630032778
47	1	Filler plug, standard (for ATEX pump see 'ATEX Parts')	31491.0052.1	9630018599
48	2	Plug	1660,008	9630023548
49	4	Blanking plug	5470,020	9630087278
50	2	Gland guard, standard (for ATEX pump see 'ATEX Parts')	5243,092	9630074946
51	4	Screw, gland guard	6000,010	9630050533
53	4	Washer, gland guard	6400,128	9630924711
54	1	Foot, vertical port	5225,402	9630069904
56	1	Foot, horizontal port	5225,302	9630069903
58	2	Screw, foot	6000,015	9630074794
60	1	Tool, rotor retainer	6380,191	9630070709



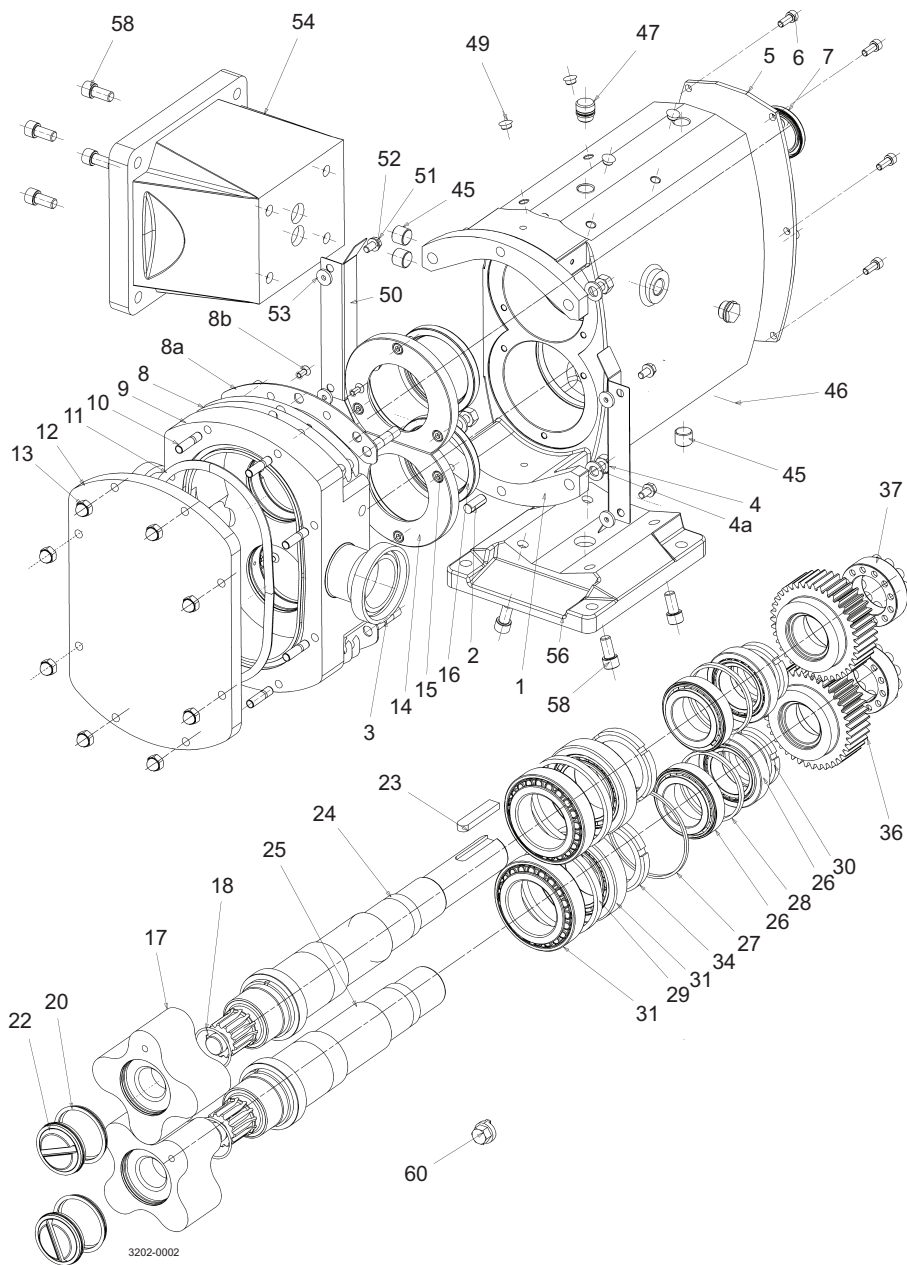
SX-3 Rotary Lobe Pumps

Pos	Qty	Denomination	Reference Part	
			No.	Item No.
1	1	Gearcase	5220.353	9630087580
2	2	Dowel	5170.010	9630023461
3	4	Stud, rotorcase retention	6350.137	9630052263
4	4	Nut, rotorcase retention	5330.000	9630024051
4A	4	Washer, rotorcase retention	6400.037	9630024233
5	1	Cover, gearcase	5120.163	9630070039
6	6	Screw, gearcase cover	5990.052	9630021069
7	1	Lip seal, rear	5310.080	9630032808
8	1	Shim, standard (for ATEX pump see 'ATEX Parts') Polymex	6150.154	9630034130
	set			
8A	2	Shim retainer	6150.313	9630089542
8B	4	Screw, shim retainer	6000.010	9630050533
9	1	Rotorcase, 2" (50mm) connections DIN11851, SX3/027	9007.235S	9630102167
	1	Rotorcase, 2" (50mm) connections ISS/IDF, SX3/027	9007.233S	9630102168
	1	Rotorcase, 2" (50mm) connections RJT, SX3/027	9007.232S	9630102169
	1	Rotorcase, 2" (50mm) connections SMS, SX3/027	9007.234S	9630102170
	1	Rotorcase, 2" (50mm) connections Tri-clamp, SX3/027	9007.271S	9630102171
	1	Rotorcase, 2.1/2" (65mm) connections DIN11851, SX3/035	9008.651S	9630102172
	1	Rotorcase, 2.1/2" (65mm) connections ISS/IDF, SX3/035	9008.645S	9630102173
	1	Rotorcase, 2.1/2" (65mm) connections RJT, SX3/035	9008.623S	9630102174
	1	Rotorcase, 2.1/2" (65mm) connections SMS, SX3/035	9008.649S	9630102175
	1	Rotorcase, 2.1/2" (65mm) connections Tri-clamp, SX3/035	9008.650S	9630102176
10	8	Stud, rotorcase/cover retention	6350.095	9630027490
11	1	Compression joint, FPM	5381.301	9630070679
	1	Compression joint, Silicone	5381.304	9630069223
	1	Compression joint, EPDM	5381.305	9630069395
12	1	Cover, rotorcase	5130.433	9630069707
13	8	Dome nut, rotorcase cover	5340.047	9630029651
14	2	Retainer, seal	5560.032	9630025431
15	6	Screw, seal retainer	5990.052	9630021069
16	2	Lip seal, front	5310.072	9630032798
17	2	Rotor, Stainless Steel 5 bar 150°C, SX3/027	5780.027E.A	9630124273
	2	Rotor, Stainless Steel 15 bar 150°C, SX3/027	5780.027R.A	9630102905
	2	Rotor, Stainless Steel 7 bar 150°C, SX3/035	5780.035G.A	9630113513
20	2	Cup seal, rotor retainer, FPM	5382.201	9630069430
	2	Cup seal, rotor retainer, Silicone	5382.204	9630069428
	2	Cup seal, rotor retainer, EPDM	5382.205	9630069425
22	2	Rotor retainer, SX3/027	5900.203	9630069705
	2	Rotor retainer, SX3/035	5900.213	9630070261
23	1	Key	5270.031	9630031499
24	1	Shaft, drive	6110.743	9630069745
25	1	Shaft, auxiliary	6100.743	9630069743
26	2	Bearing, rear	5080.013	9630029030
27	1	Spacer, shaft abutment	5670.063.01	9630032683
30	2	Nut, bearing	5340.042	9630029137
31	2	Bearing, front	5080.013	9630029030
32	2	Spacer, bearing	5670.058	9630029695
36	2	Timing gear	5210.038	9630027688
38	4	Torque locking element	5615.016	9630030273
39	2	Clamp plate	5110.041	9630029175
40	12	Screw, clamp plate	5990.005	9630024591
45	2	Drain plug	1660.004	9630023546
46	1	Sight glass, standard (for ATEX pump see 'ATEX Parts')	5480.001	9630032778
47	1	Filler plug, standard (for ATEX pump see 'ATEX Parts')	31491.0052.1	9630018599
48	2	Plug	1660.008	9630023548
49	4	Blanking plug	5470.020	9630087278
50	2	Gland guard, standard (for ATEX pump see 'ATEX Parts')	5243.093	9630074947
51	4	Screw, gland guard	5990.045	9630030332
52	4	Washer, gland guard	6400.046	9630030121
53	4	Washer, gland guard	6400.128	9630924711
54	1	Foot, vertical port	5225.413	9630125239
56	1	Foot, horizontal port	5225.303	9630070492
58	2	Screw, foot	6000.014	9630074776
60	1	Tool, rotor retainer	6380.191	9630070709



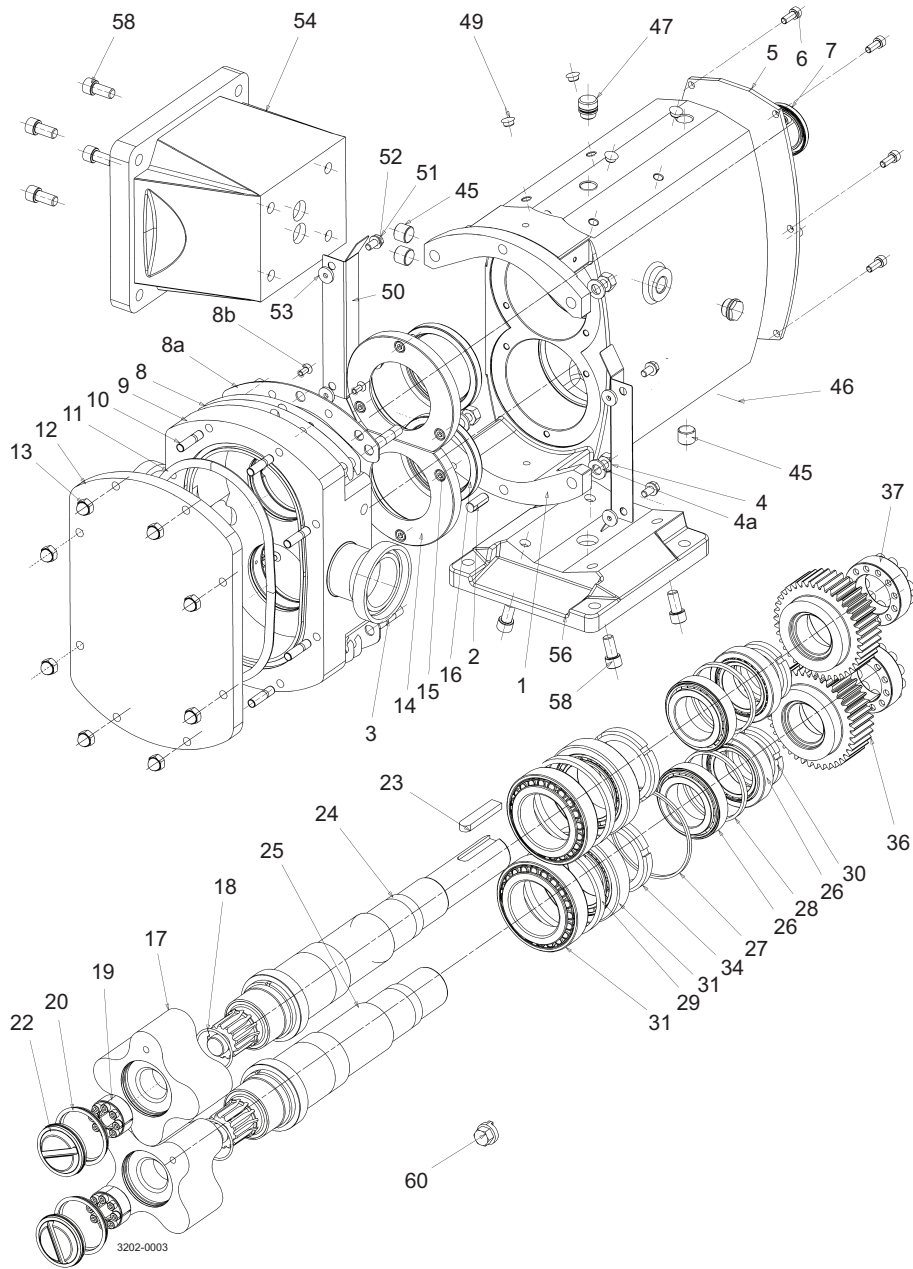
SX-4 Rotary Lobe Pumps

Pos	Qty	Denomination	Reference Part	
			No.	Item No.
1	1	Gearcase	5220,514	9630070362
2	2	Dowel	5170,040	9630070385
3	4	Stud, rotorcase retention	6350,138	9630052265
4	4	Nut, rotorcase retention	5330,001	9630024053
4a	4	Washer, rotorcase retention	6400,038	9630024236
5	1	Cover, gearcase	5120,164	9630070364
6	6	Screw, gearcase cover	5990,034	9630024635
7	1	Lip seal, rear	5310,081	9630032809
8	1	Shim, standard (for ATEX pump see 'ATEX Parts') Polymex	6150.156	9630033702
		set		
8a	2	Shim retainer	6150,314	9630089543
8b	4	Screw, shim retainer	6000,010	9630050533
9	1	Rotorcase, 2" (50mm) connections DIN11851, SX4/046	9009.235S	9630102177
	1	Rotorcase, 2" (50mm) connections ISS/IDF, SX4/046	9009.233S	9630102178
	1	Rotorcase, 2" (50mm) connections RJT, SX4/046	9009.232S	9630102179
	1	Rotorcase, 2" (50mm) connections SMS, SX4/046	9009.234S	9630102181
	1	Rotorcase, 2" (50mm) connections Tri-clamp, SX4/046	9009.271S	9630102182
	1	Rotorcase, 2.1/2" (65mm) connections DIN11851, SX4/063	9010.651S	9630102183
	1	Rotorcase, 2.1/2" (65mm) connections ISS/IDF, SX4/063	9010.645S	9630102184
	1	Rotorcase, 2.1/2" (65mm) connections RJT, SX4/063	9010.623S	9630102185
	1	Rotorcase, 2.1/2" (65mm) connections SMS, SX4/063	9010.649S	9630102186
	1	Rotorcase, 2.1/2" (65mm) connections Tri-clamp, SX4/063	9010.650S	9630102187
10	8	Stud, rotorcase/cover retention	6350,104	9630019863
11	1	Compression joint, FPM	5381,401	9630070399
	1	Compression joint, Silicone	5381,404	9630070400
	1	Compression joint, EPDM	5381,405	9630070401
12	1	Cover, rotorcase	5130,434	9630070403
13	8	Dome nut, rotorcase cover	5340,047	9630029651
14	2	Retainer, seal	5560,084	9630070335
15	6	Screw, seal retainer	5990,034	9630024635
16	2	Lip seal, front	5310,074	9630032800
17	2	Rotor, Stainless Steel 5 bar 150°C, SX4/046	5780.046E.A	9630111763
	2	Rotor, Stainless Steel 15 bar 150°C, SX4/046	5780.046R.A	9630124836
	2	Rotor, Stainless Steel 5 bar 150°C, SX4/063	5780.063E.A	9630125362
	2	Rotor, Stainless Steel 10 bar 150°C, SX4/063	5780.063K.A	9630110663
20	2	Cup seal, rotor retainer, FPM	5382,301	9630069423
	2	Cup seal, rotor retainer, Silicone	5382,304	9630069422
	2	Cup seal, rotor retainer, EPDM	5382,305	9630069421
22	2	Rotor retainer, SX4/046	5900,204	9630070338
	2	Rotor retainer, SX4/063	5900,214	9630070339
23	1	Key	5270,011	9630023932
24	1	Shaft, drive	6110,744	9630070376
25	1	Shaft, auxiliary	6100,744	9630070374
26	4	Bearing, rear	5080,014	9630029032
27	1	Spacer, shaft abutment	5670.169.01	9630070443
28	2	Spacer, bearing rear	5670,050	9630070381
29	2	Spacer, bearing front	5670,164	9630027142
30	2	Nut, bearing rear	5340,043	9630029138
31	4	Bearing, front	5080,023	9630069300
34	2	Nut, bearing front	5340,035	9630024100
36	2	Timing gear	5210,078	9630069307
37	2	Torque locking assembly	5615,000	9630024451
45	2	Drain plug	1660,004	9630023546
46	1	Sight glass, standard (for ATEX pump see 'ATEX Parts')	5480,001	9630032778
47	1	Filler plug, standard (for ATEX pump see 'ATEX Parts')	31491.0052.1	9630018599
48	2	Plug	1660,008	9630023548
49	4	Blanking plug	5470,021	9630089949
50	2	Gland guard, standard (for ATEX pump see 'ATEX Parts')	5243,094	9630074948
51	4	Screw, gland guard	5990,045	9630030332
52	4	Washer, gland guard	6400,046	9630030121
53	4	Washer, gland guard	6400,128	9630924711
54	1	Foot, vertical port	5225,404	9630070366
56	1	Foot, horizontal port	5225,304	9630070368
58	2	Screw, foot	6000,013	9630074775
60	1	Tool, rotor retainer	6380,192	9630070769



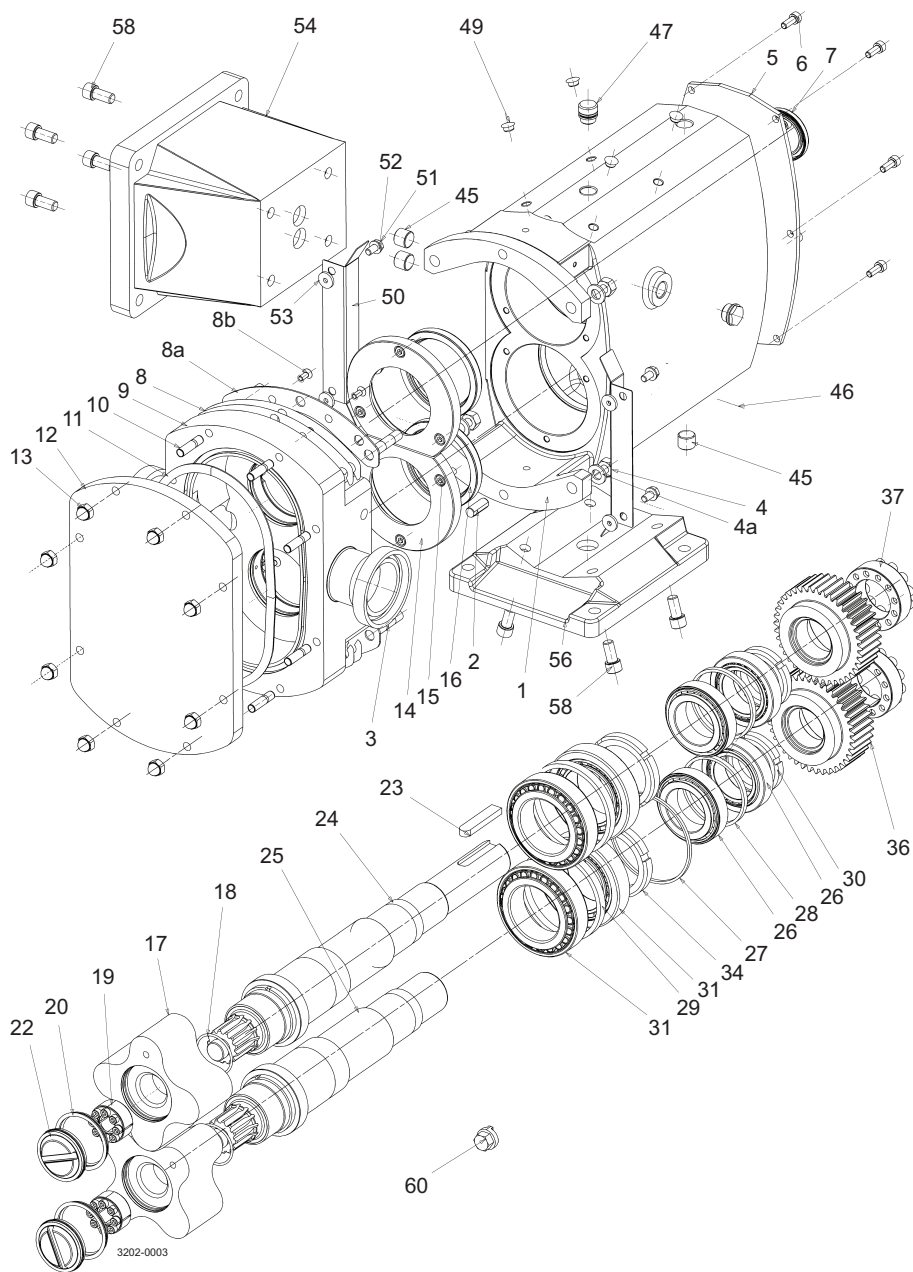
SX-5 Rotary Lobe Pumps

Pos	Qty	Denomination	Reference Part	
			No.	Item No.
1	1	Gearcase	5220,515	9630070601
2	2	Dowel	5170,010	9630023461
3	4	Stud, rotorcase retention	6350,138	9630052265
4	4	Nut, rotorcase retention	5330,001	9630024053
4a	4	Washer, rotorcase retention	6400,038	9630024236
5	1	Cover, gearcase	5120,222	9630666640
6	5	Screw, gearcase cover	5990,034	9630024635
7	1	Lip seal, rear	5310,082	9630032810
8	1	Shim, standard (for ATEX pump see 'ATEX Parts') Polymex	6150,158	9630033860
		set		
8a	2	Shim retainer	6150,315	9630089544
8b	4	Screw, shim retainer	6000,010	9630050533
9	1	Rotorcase, 2.1/2" (65mm) connections DIN11851, SX5/082	9011.651S	9630102188
	1	Rotorcase, 2.1/2" (65mm) connections ISS/IDF, SX5/082	9011.645S	9630102189
	1	Rotorcase, 2.1/2" (65mm) connections RJT, SX5/082	9011.623S	9630102190
	1	Rotorcase, 2.1/2" (65mm) connections SMS, SX5/082	9011.649S	9630102191
	1	Rotorcase, 2.1/2" (65mm) connections Tri-clamp, SX5/082	9011.650S	9630102192
	1	Rotorcase, 3" (80mm) connections DIN11851, SX5/115	9012.671S	9630102193
	1	Rotorcase, 3" (80mm) connections ISS/IDF, SX5/115	9012.665S	9630102194
	1	Rotorcase, 3" (80mm) connections RJT, SX5/115	9012.624S	9630102195
	1	Rotorcase, 3" (80mm) connections SMS, SX5/115	9012.669S	9630102196
	1	Rotorcase, 3" (80mm) connections Tri-clamp, SX5/115	9012.670S	9630102124
10	8	Stud, rotorcase/cover retention	6350,104	9630019863
11	1	Compression joint, FPM	5381,501	9630071979
	1	Compression joint, Silicone	5381,504	9630071980
	1	Compression joint, EPDM	5381,505	9630071981
12	1	Cover, rotorcase	5130,435	9630072005
13	8	Dome nut, rotorcase cover	5340,047	9630029651
14	2	Retainer, seal	5560,036	9630026099
15	6	Screw, seal retainer	5990,034	9630024635
16	2	Lip seal, front	5310,076	9630032802
17	2	Rotor, Stainless Steel 15 bar 150°C, SX5/082	5780.082R.A	9630112549
	2	Rotor, Stainless Steel 10 bar 150°C, SX5/115	5780.115K.A	9630099553
20	2	Cup seal, rotor retainer, FPM	5382,401	9630069432
	2	Cup seal, rotor retainer, Silicone	5382,404	9630069431
	2	Cup seal, rotor retainer, EPDM	5382,405	9630069426
22	2	Rotor retainer, SX5/082	5900,205	9630073103
	2	Rotor retainer, SX5/115	5900,215	9630073104
23	1	Key	5270,013	9630023940
24	1	Shaft, drive	6110,745	9630073081
25	1	Shaft, auxiliary	6100,745	9630073080
26	4	Bearing, rear	5080,015	9630029034
27	1	Spacer, shaft abutment	5670.067.01	9630035209
28	2	Spacer, bearing drive end	5670,049	9630031175
29	2	Spacer, bearing gland end	5670,051	9630031133
30	2	Nut, bearing rear	5340,035	9630024100
31	4	Bearing, front	5080,017	9630029036
34	2	Nut, bearing front	5340,045	9630029139
36	2	Timing gear	5210,034	9630031162
37	2	Torque locking assembly	5615,005	9630024455
45	7	Drain plug	1660,008	9630023548
46	1	Sight glass, standard (for ATEX pump see 'ATEX Parts')	5480,001	9630032778
47	1	Filler plug, standard (for ATEX pump see 'ATEX Parts')	31491.0052.1	9630018599
50	2	Gland guard, standard (for ATEX pump see 'ATEX Parts')	5243,245	9630666810
51	4	Screw, gland guard	5990,045	9630030332
52	4	Washer, gland guard	6400,046	9630030121
53	4	Washer, gland guard	6400,128	9630924711
54	1	Foot, vertical port	5225,405	9630070568
56	1	Foot, horizontal port	5225,305	9630070567
58	4	Bolt, foot	31499.5212.1	9630038966
60	1	Tool, rotor retainer	6380,192	9630070769



SX-6 Rotary Lobe Pumps

Pos	Qty	Denomination	Reference Part	
			No.	Item No.
1	1	Gearcase	5220.516	9630070602
2	2	Dowel	5170,011	9630023467
3	4	Stud, rotorcase retention	6350,139	9630052267
4	4	Nut, rotorcase retention	5330,002	9630024055
4A	4	Washer, rotorcase retention	6400,041	9630024238
5	1	Cover, gearcase	5120,223	9630666641
6	5	Screw, gearcase cover	5990,034	9630024635
7	1	Lip seal, rear	5310,072	9630032798
8	1	Shim, standard (for ATEX pump see 'ATEX Parts') Polymex	6150.160	9630033391
	set			
8a	2	Shim retainer	6150,266	9630051782
8b	4	Screw, shim retainer	6000,010	9630050533
9	1	Rotorcase, 3" (80mm) connections DIN11851, SX6/140	9013.671S	9630102197
	1	Rotorcase, 3" (80mm) connections ISS/IDF, SX6/140	9013.665S	9630102198
	1	Rotorcase, 3" (80mm) connections RJT, SX6/140	9013.624S	9630102199
	1	Rotorcase, 3" (80mm) connections SMS, SX6/140	9013.669S	9630102200
	1	Rotorcase, 3" (80mm) connections Tri-clamp (3.1), SX6/140	9013.670S	9630102201
	1	Rotorcase, 4" (100mm) connections DIN11851, SX6/190	9014.096S	9630102202
	1	Rotorcase, 4" (100mm) connections ISS/IDF, SX6/190	9014.048S	9630102203
	1	Rotorcase, 4" (100mm) connections RJT, SX6/190	9014.040S	9630102204
	1	Rotorcase, 4" (100mm) connections SMS, SX6/190	9014.080S	9630102205
	1	Rotorcase, 4" (100mm) connections Tri-clamp (3.1), SX6/190	9014.088S	9630102149
10	8	Stud, rotorcase/cover retention	6350,098	9630030574
11	1	Compression joint, FPM	5381,601	9630071982
	1	Compression joint, Silicone	5381,604	9630071983
	1	Compression joint, EPDM	5381,605	9630071984
12	1	Cover, rotorcase	5130,436	9630072006
13	8	Dome nut, rotorcase cover	5340,022	9630024088
14	2	Retainer, seal	5560,037	9630026103
15	6	Screw, seal retainer	5990,034	9630024635
16	2	Lip seal, front	5310,077	9630032803
17	2	Rotor, Stainless Steel 15 bar 150°C, SX6/140	5780.140R.A	9630102913
	2	Rotor, Stainless Steel 10 bar 150°C, SX6/190	5780.190K.A	9630856717
19	2	Torque locking assembly	5615,022	9630938853
20	2	Cup seal, rotor retainer, FPM	5382,501	9630069861
	2	Cup seal, rotor retainer, Silicone	5382,504	9630069862
	2	Cup seal, rotor retainer, EPDM	5382,505	9630069858
22	2	Rotor retainer	5900,206	9630073101
23	1	Key	5270,013	9630023940
24	1	Shaft, drive, SX6/140	6110,746	9630073057
	1	Shaft, drive, SX6/190	6110,752	9630073058
25	1	Shaft, auxiliary, SX6/140	6100,746	9630073056
	1	Shaft, auxiliary, SX6/190	6100,752	9630073059
26	4	Bearing, rear	5080,017	9630029036
27	1	Spacer, shaft abutment	5670.068.01	9630034661
28	2	Spacer, bearing rear	5670,051	9630031133
29	2	Spacer, bearing front	5670,053	9630031135
30	2	Nut, bearing rear	5340,045	9630029139
31	4	Bearing, front	5080,019	9630029038
34	2	Nut, bearing front	5340,046	9630029140
36	2	Timing gear	5210,035	9630030718
37	2	Torque locking assembly	5615,005	9630024455
45	1	Drain plug	1660,008	9630023548
46	1	Sight glass, standard (for ATEX pump see 'ATEX Parts')	5480,001	9630032778
47	1	Filler plug, standard (for ATEX pump see 'ATEX Parts')	31491.0052.1	9630018599
50	2	Gland guard, standard (for ATEX pump see 'ATEX Parts')	5243,246	9630666811
51	4	Screw, gland guard	5990,045	9630030332
52	4	Washer, gland guard	6400,04	9630030121
53	4	Washer, gland guard	6400,128	9630924711
54	1	Foot, vertical port	5225.406	9630070572
56	1	Foot, horizontal port	5225.306	9630070571
58	4	Bolt, foot	31499.5212.1	9630038966
60	1	Tool, rotor retainer	6380,192	9630070769
	1	Tool, rotor TLA clamp (not shown) complete:	6380,217	9630087290
	1	Comprising of: Clamp ring	6380,404	9630855562
	1	Comprising of: Clamp nut	6380,405	9630855565



SX-7 Rotary Lobe Pumps

Pos	Qty	Denomination	Reference Part	
			No.	Item No.
1	1	Gearcase	5220,517	9630070603
2	2	Dowel	5170,011	9630023467
3	4	Stud, rotorcase retention	6350,086	9630024029
4	4	Nut, rotorcase retention	5330,002	9630024055
4a	4	Washer, rotorcase retention	6400,041	9630024238
5	1	Cover, gearcase	5120,225	9630668405
6	6	Screw, gearcase cover	5990,034	9630024635
7	1	Lip seal, rear	5310,115	9630054369
8	1	Shim, standard (for ATEX pump see 'ATEX Parts') Polymex	6150,297	9630072392
		set		
8a	2	Shim retainer	6150,287	9630072385
8b	4	Screw, shim retainer	6000,010	9630050533
9	1	Rotorcase, 4" (100mm) connections DIN11851, SX7/250	9015.096S	9630102206
	1	Rotorcase, 4" (100mm) connections ISS/IDF, SX7/250	9015.048S	9630102207
	1	Rotorcase, 4" (100mm) connections RJT, SX7/250	9015.040S	9630102208
	1	Rotorcase, 4" (100mm) connections SMS, SX7/250	9015.080S	9630102209
	1	Rotorcase, 4" (100mm) connections Tri-clamp, SX7/250	9015.088S	9630102150
	1	Rotorcase, 6" (150mm) connections DIN11851, SX 7/380	9016.557S	9630085942
	1	Rotorcase, 6" (150mm) connections Tri-clamp, SX 7/380	9016.518S	9630086312
10	8	Stud, rotorcase/cover retention	6350,098	9630030574
11	1	Compression joint, FPM	5381,701	9630071985
	1	Compression joint, Silicone	5381,704	9630071986
	1	Compression joint, EPDM	5381,705	9630071987
12	1	Cover, rotorcase	5130,437	9630072007
13	8	Dome nut, rotorcase cover	5340,022	9630024088
14	2	Retainer, seal	5560,087	9630073028
15	6	Screw, seal retainer	5990,078	9630060520
16	2	Lip seal, front	5310,139	9630074130
17	2	Rotor, Stainless Steel 15 bar 150°C, SX7/250	5780.250R.A	9630126267
	2	Rotor, Stainless Steel 10 bar 150°C, SX5/380	5780.380K.A	9630102924
19	2	Torque locking assembly	5615,022	9630938853
20	2	Cup seal, rotor retainer, FPM	5382,501	9630069861
	2	Cup seal, rotor retainer, Silicone	5382,504	9630069862
	2	Cup seal, rotor retainer, EPDM	5382,505	9630069858
22	2	Rotor retainer	5900,206	9630073101
23	1	Key	5270,038	9630074134
24	1	Shaft, drive, SX7/250	6110,747	9630073020
	1	Shaft, drive, SX7/380	6110,749	9630073026
25	1	Shaft, auxiliary, SX7/250	6100,747	9630073021
	1	Shaft, auxiliary, SX7/380	6100,749	9630073027
26	4	Bearing, rear	5080,019	9630029038
27	1	Spacer, shaft abutment	5670.170.01	9630072526
28	2	Spacer, bearing rear	5670,053	9630031135
29	2	Spacer, bearing front	5670,167	9630072283
30	2	Nut, bearing rear	5340,046	9630029140
31	4	Bearing, front	5080,024	9630070846
34	2	Nut, bearing front	5340,037	9630025231
36	2	Timing gear	5210,080	9630071347
37	2	Torque locking assembly	5615,012	9630025239
45	1	Drain plug	1660,008	9630023548
46	1	Sight glass, standard (for ATEX pump see 'ATEX Parts')	5480,001	9630032778
47	1	Filler plug, standard (for ATEX pump see 'ATEX Parts')	31491.0052.1	9630018599
50	2	Gland guard, standard (for ATEX pump see 'ATEX Parts')	5243,26	9630667511
51	4	Screw, gland guard	5990,045	9630030332
52	4	Washer, gland guard	6400,04	9630030121
53	4	Washer, gland guard	6400,128	9630924711
54	1	Foot, vertical port	5225.407	9630070576
56	1	Foot, horizontal port	5225.307	9630070575
60	1	Tool, rotor retainer	6380,192	9630070769
	1	Tool, rotor TLA clamp (not shown) complete:	6380,217	9630087290
	1	Comprising of: Clamp ring	6380,404	9630855562
	1	Comprising of: Clamp nut	6380,405	9630855565

SX 1-7, Cover / Rotor Seal Kits

Each kit comprises of Compression Joint and Rotor Retainer Cup Seals for one pump.

Pos	Qty	Denomination	SX 1		SX 2	
			Reference Part No.	SX 1 Item No.	Reference Part No.	SX 2 Item No.
		Cover / Rotor Seal Kit, EPDM	K61AA	9630110858	K62AA	9630110862
		Cover / Rotor Seal Kit, FPM	K61BA	9630110860	K62BA	9630110865
		Cover / Rotor Seal Kit, Silicone	K61CA	9630110861	K62CA	9630110866

Pos	Qty	Denomination	SX 3		SX 4	
			Reference Part No.	SX 3 Item No.	Reference Part No.	SX 4 Item No.
		Cover / Rotor Seal Kit, EPDM	K63AA	9630110867	K64AA	9630110870
		Cover / Rotor Seal Kit, FPM	K63BA	9630110868	K64BA	9630110871
		Cover / Rotor Seal Kit, Silicone	K63CA	9630110869	K64CA	9630110872

Pos	Qty	Denomination	SX 5		SX 6	
			Reference Part No.	SX 5 Item No.	Reference Part No.	SX 6 Item No.
		Cover / Rotor Seal Kit, EPDM	K65AA	9630110873	K66AA	9630110876
		Cover / Rotor Seal Kit, FPM	K65BA	9630110874	K66BA	9630110877
		Cover / Rotor Seal Kit, Silicone	K65CA	9630110875	K66CA	9630110878

Pos	Qty	Denomination	SX 7	
			Reference Part No.	SX 7 Item No.
		Cover / Rotor Seal Kit, EPDM	K67AA	9630110880
		Cover / Rotor Seal Kit, FPM	K67BA	9630110881
		Cover / Rotor Seal Kit, Silicone	K67CA	9630110882

9 Service Kits (R00 Single Mechanical Seals) - SX Pump Range

Each kit comprises of 1 off Cover/Rotor Sealing Kit and 2 off complete Mechanical Seals for one pump.

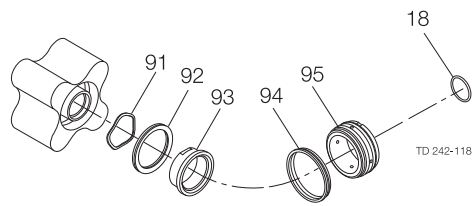
Pos	Qty	Denomination	SX 1		SX 2	
			Reference Part No.	SX 1 Item No.	Reference Part No.	SX 2 Item No.
		Rotary Seal/Static Seal Ring, Carbon/Stainless Steel, EPDM	K61AA-L01	9630950859	K62AA-L01	9630881846
		Rotary Seal/Static Seal Ring, Carbon/Stainless Steel, FPM	K61BA-L02	9630950860	K62BA-L02	9630881740
		Rotary Seal/Static Seal Ring, Carbon/Stainless Steel, Silicone	K61CA-L05	9630950861	K62CA-L05	9630950885
		Rotary Seal/Static Seal Ring, Carbon/Silicon Carbide, EPDM	K61AA-L11	9630950862	K62AA-L11	9630924087
		Rotary Seal/Static Seal Ring, Carbon/Silicon Carbide, FPM	K61BA-L12	9630950863	K62BA-L12	9630950886
		Rotary Seal/Static Seal Ring, Carbon/Silicon Carbide, Silicone	K61CA-L15	9630950864	K62CA-L15	9630950887
		Rotary Seal/Static Seal Ring, Silicon Carbide/Silicon Carbide, EPDM	K61AA-L21	9630857178	K62AA-L21	9630857179
		Rotary Seal/Static Seal Ring, Silicon Carbide/Silicon Carbide, FPM	K61BA-L22	9630880606	K62BA-L22	9630879061
		Rotary Seal/Static Seal Ring, Silicon Carbide/Silicon Carbide, Silicone	K61CA-L25	9630950766	K62CA-L25	9630925619

Pos	Qty	Denomination	SX 3		SX 4	
			Reference Part No.	SX 3 Item No.	Reference Part No.	SX 4 Item No.
		Rotary Seal/Static Seal Ring, Carbon/Stainless Steel/EPDM	K63AA-L01	K63AA-L01	K64AA-L01	9630950934
		Rotary Seal/Static Seal Ring, Carbon/Stainless Steel/FPM	K63BA-L02	9630950908	K64BA-L02	9630950935
		Rotary Seal/Static Seal Ring, Carbon/Stainless Steel/Silicone	K63CA-L05	9630950909	K64CA-L05	9630950936
		Rotary Seal/Static Seal Ring, Carbon/Silicon Carbide/EPDM	K63AA-L11	9630950910	K64AA-L11	9630950937
		Rotary Seal/Static Seal Ring, Carbon/Silicon Carbide/FPM	K63BA-L12	9630950911	K64BA-L12	9630950938
		Rotary Seal/Static Seal Ring, Carbon/Silicon Carbide/Silicone	K63CA-L15	9630950912	K64CA-L15	9630950939
		Rotary Seal/Static Seal Ring, Silicon Carbide/Silicon Carbide/EPDM	K63AA-L21	9630857180	K64AA-L21	9630857181
		Rotary Seal/Static Seal Ring, Silicon Carbide/Silicon Carbide/FPM	K63BA-L22	9630879729	K64BA-L22	9630866094
		Rotary Seal/Static Seal Ring, Silicon Carbide/Silicon Carbide/Silicone	K63CA-L25	9630939242	K64CA-L25	9630919921

Pos	Qty	Denomination	SX 5		SX 6	
			Reference Part No.	SX 5 Item No.	Reference Part No.	SX 6 Item No.
		Rotary Seal/Static Seal Ring, Carbon/Stainless Steel, EPDM	K65AA-L01	9630950960	K66AA-L01	9630950981
		Rotary Seal/Static Seal Ring, Carbon/Stainless Steel, FPM	K65BA-L02	9630950961	K66BA-L02	9630950982
		Rotary Seal/Static Seal Ring, Carbon/Stainless Steel, Silicone	K65CA-L05	9630950962	K66CA-L05	9630950983
		Rotary Seal/Static Seal Ring, Carbon/Silicon Carbide, EPDM	K65AA-L11	9630950963	K66AA-L11	9630950984
		Rotary Seal/Static Seal Ring, Carbon/Silicon Carbide, FPM	K65BA-L12	9630950964	K66BA-L12	9630950985
		Rotary Seal/Static Seal Ring, Carbon/Silicon Carbide, Silicone	K65CA-L15	9630944094	K66CA-L15	9630950986
		Rotary Seal/Static Seal Ring, Silicon Carbide/Silicon Carbide, EPDM	K65AA-L21	9630857182	K66AA-L21	9630857183
		Rotary Seal/Static Seal Ring, Silicon Carbide/Silicon Carbide, FPM	K65BA-L22	9630881870	K66BA-L22	9630866095
		Rotary Seal/Static Seal Ring, Silicon Carbide/Silicon Carbide, Silicone	K65CA-L25	9630923899	K66CA-L25	9630950767

Pos	Qty	Denomination	SX 7	
			Reference Part No.	SX 7 Item No.
		Rotary Seal/Static Seal Ring, Carbon/Stainless Steel, EPDM	K67AA-L01	9630918289
		Rotary Seal/Static Seal Ring, Carbon/Stainless Steel, FPM	K67BA-L02	9630951004
		Rotary Seal/Static Seal Ring, Carbon/Stainless Steel, Silicone	K67CA-L05	9630951005
		Rotary Seal/Static Seal Ring, Carbon/Silicon Carbide, EPDM	K67AA-L11	9630942323
		Rotary Seal/Static Seal Ring, Carbon/Silicon Carbide, FPM	K67BA-L12	9630951006
		Rotary Seal/Static Seal Ring, Carbon/Silicon Carbide, Silicone	K67CA-L15	9630951007
		Rotary Seal/Static Seal Ring, Silicon Carbide/Silicon Carbide, EPDM	K67AA-L21	9630857184
		Rotary Seal/Static Seal Ring, Silicon Carbide/Silicon Carbide, FPM	K67BA-L22	9630879211
		Rotary Seal/Static Seal Ring, Silicon Carbide/Silicon Carbide, Silicone	K67CA-L25	9630941206

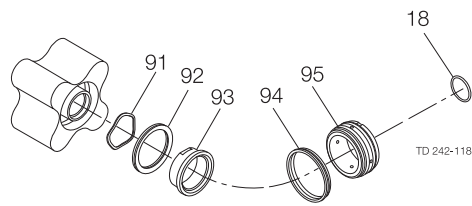
Note: Q-Doc certification is standard with SX Service Kits



R00 Single Mechanical Seals (Complete) - SX Pump Range

2 seals per pump. It is recommended to replace both sets of seals when wear dictates seal replacement

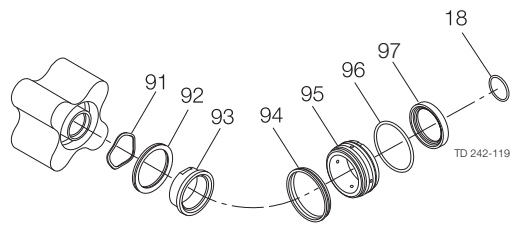
Pos	Qty	Denomination	SX 1		SX 2	
			Reference Part No.	SX 1 Item No.	Reference Part No.	SX 2 Item No.
		Rotary Seal/Static Seal Ring, Carbon/Stainless Steel, EPDM	7700.101E	9630088478	7700.102E	9630085768
		Rotary Seal/Static Seal Ring, Carbon/Stainless Steel, FPM	7700.101V	9630088480	7700.102V	9630088486
		Rotary Seal/Static Seal Ring, Carbon/Stainless Steel, Silicone	7700.101S	9630092185	7700.102S	9630857713
		Rotary Seal/Static Seal Ring, Carbon/Silicon Carbide, EPDM	7700.191E	9630088482	7700.192E	9630088232
		Rotary Seal/Static Seal Ring, Carbon/Silicon Carbide, FPM	7700.191V	9630088481	7700.192V	9630088487
		Rotary Seal/Static Seal Ring, Carbon/Silicon Carbide, Silicone ...	7700.191S	9630856690	7700.192S	9630856691
		Rotary Seal/Static Seal Ring, Silicon Carbide/Silicon Carbide, EPDM	7700.201E	9630088483	7700.202E	9630088489
		Rotary Seal/Static Seal Ring, Silicon Carbide/Silicon Carbide, FPM	7700.201V	9630088485	7700.202V	9630088488
		Rotary Seal/Static Seal Ring, Silicon Carbide/Silicon Carbide, Silicone	7700.201S	9630857712	7700.202S	9630857714
Pos	Qty	Denomination	SX 3		SX 4	
			Reference Part No.	SX 3 Item No.	Reference Part No.	SX 4 Item No.
		Rotary Seal/Static Seal Ring, Carbon/Stainless Steel, EPDM	7700.103E	9630088490	7700.104E	9630088493
		Rotary Seal/Static Seal Ring, Carbon/Stainless Steel, FPM	7700.103V	9630088491	7700.104S	9630088494
		Rotary Seal/Static Seal Ring, Carbon/Stainless Steel, Silicone	7700.103S	9630858769	7700.104S	9630099149
		Rotary Seal/Static Seal Ring, Carbon/Silicon Carbide, EPDM	7700.193E	9630088400	7700.194E	9630088496
		Rotary Seal/Static Seal Ring, Carbon/Silicon Carbide, FPM	7700.193V	9630088492	7700.194V	9630088495
		Rotary Seal/Static Seal Ring, Carbon/Silicon Carbide, Silicone ...	7700.193S	9630856692	7700.194S	9630856694
		Rotary Seal Stationary Seal Ring, Silicon Carbide/Silicon Carbide, EPDM	7700.203E	9630088209	7700.204E	9630088497
		Rotary Seal/Stationary Seal Ring, Silicon Carbide/Silicon Carbide, FPM	7700.203V	9630088125	7700.204V	9630076413
		Rotary Seal/Stationary Seal Ring, Silicon Carbide/Silicon Carbide, Silicone	7700.203S	9630858778	7700.204S	9630856568
Pos	Qty	Denomination	SX 5		SX 6	
			Reference Part No.	SX 5 Item No.	Reference Part No.	SX 6 Item No.
		Rotary Seal/Static Seal Ring, Carbon/Stainless Steel, EPDM	7700.105E	9630086706	7700.106E	9630088501
		Rotary Seal/Static Seal Ring, Carbon/Stainless Steel, FPM	7700.105V	9630086933	7700.106V	9630088502
		Rotary Seal/Static Seal Ring, Carbon/Stainless Steel, Silicone	7700.105S	9630858783	7700.106S	9630858785
		Rotary Seal/Static Seal Ring, Carbon/Silicon Carbide, EPDM	7700.195E	9630088498	7700.196E	9630088503
		Rotary Seal/Static Seal Ring, Carbon/Silicon Carbide, FPM	7700.195V	9630088499	7700.196V	9630088504
		Rotary Seal/Static Seal Ring, Carbon Silicon Carbide, Silicone ...	7700.195S	9630856695	7700.196S	9630856696
		Rotary Seal/Static Seal Ring, Silicon Carbide /Silicon Carbide, EPDM	7700.205E	9630087237	7700.206E	9630088506
		Rotary Seal/Static Seal Ring, Silicon Carbide/Silicon Carbide, FPM	7700.205V	9630088500	7700.206V	9630088505
		Rotary Seal/Static Seal Ring, Silicon Carbide/Silicon Carbide, Silicone	7700.205S	9630858784	7700.206S	9630858786



R00 Single Mechanical Seals (Complete) - SX Pump Range

Pos	Qty	Denomination	SX 7	
			Reference Part No.	SX 7 Item No.
		Rotary Seal/Static Seal Ring, Carbon/Stainless Steel, EPDM	7700.107E	9630088507
		Rotary Seal/Static Seal Ring, Carbon/Stainless Steel, FPM	7700.107V	9630088508
		Rotary Seal/Static Seal Ring, Carbon/Stainless Steel, Silicone	7700.107S	
		Rotary Seal/Static Seal Ring, Carbon/Silicon Carbide, EPDM	7700.197E	9630088509
		Rotary Seal/Static Seal Ring, Carbon/Silicon Carbide, FPM	7700.197V	9630088510
		Rotary Seal/Static Seal Ring, Carbon/Silicon Carbide, Silicone ...	7700.197S	9630856697
		Rotary Seal/Static Seal Ring, Silicon Carbide/Silicon Carbide, EPDM	7700.207E	9630088512
		Rotary Seal/Static Seal Ring, Silicon Carbide/Silicon Carbide, FPM	7700.207V	9630088511
		Rotary Seal/Static Seal Ring, Silicon Carbide/Silicon Carbide, Silicone	7700.207S	9630101627

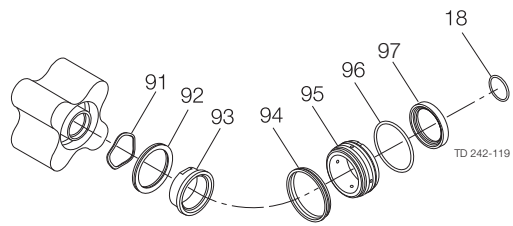
Note: Q-Doc certification needs to be requested by order for mechanical seals



R00 Single Flushed Mechanical Seals (Complete) - SX Pump Range

2 seals per pump. It is recommended to replace both sets of seals when wear dictates seal replacement

Pos	Qty	Denomination	SX 1		SX 2	
			Reference Part No.	SX 1 Item No.	Reference Part No.	SX 2 Item No.
		Rotary Seal/Static Seal Ring, Carbon/Stainless Steel, EPDM	7700.221E	9630881788	7700.222E	9630094760
		Rotary Seal/Static Seal Ring, Carbon/Stainless Steel, FPM	7700.221V	9630941616	7700.222V	9630092887
		Rotary Seal/Static Seal Ring, Carbon/Stainless Steel, Silicone	7700.221S	9630941617	7700.222S	9630864177
		Rotary Seal/Static Seal Ring, Carbon/Silicon Carbide, EPDM	7700.231E	9630941621	7700.232E	9630094176
		Rotary Seal/Static Seal Ring, Carbon/Silicon Carbide, FPM	7700.231V	9630941623	7700.232V	9630089032
		Rotary Seal/Static Seal Ring, Carbon/Silicon Carbide, Silicone ...	7700.231S	9630941622	7700.232S	9630941624
		Rotary Seal/Stationary Seal Ring, Silicon Carbide/Silicon Carbide, EPDM	7700.211E	9630125198	7700.212E	9630111133
		Rotary Seal/Stationary Seal Ring, Silicon Carbide/Silicon Carbide, FPM	7700.211V	9630112575	7700.212V	9630102419
		Rotary Seal/Stationary Seal Ring, Silicon Carbide/Silicon Carbide, Silicone	7700.211S	9630941613	7700.212S	9630941614
Pos	Qty	Denomination	SX 3		SX 4	
			Reference Part No.	SX 3 Item No.	Reference Part No.	SX 4 Item No.
		Rotary Seal/Static Seal Ring, Carbon/Stainless Steel, EPDM	7700.223E	9630881530	7700.224E	9630101974
		Rotary Seal/Static Seal Ring, Carbon/Stainless Steel, FPM	7700.223V	9630941619	7700.224V	9630938195
		Rotary Seal/Static Seal Ring, Carbon/Stainless Steel, Silicone	7700.223S	9630941618	7700.224S	9630941620
		Rotary Seal/Static Seal Ring, Carbon/Silicon Carbide, EPDM	7700.233E	9630090140	7700.234E	9630941626
		Rotary Seal/Static Seal Ring, Carbon/Silicon Carbide, FPM	7700.233V	9630856569	7700.234V	9630856570
		Rotary Seal/Static Seal Ring, Carbon/Silicon Carbide, Silicone ...	7700.233S	9630941625	7700.234S	9630941627
		Rotary Seal/Stationary Seal Ring, Silicon Carbide/Silicon Carbide, EPDM	7700.213E	9630088892	7700.214E	9630113647
		Rotary Seal/Stationary Seal Ring, Silicon Carbide/Silicon Carbide, FPM	7700.213V	9630127023	7700.214V	9630113652
		Rotary Seal/Stationary Seal Ring, Silicon Carbide/Silicon Carbide, Silicone	7700.213S	9630924902	7700.214S	9630941615
Pos	Qty	Denomination	SX 5		SX 6	
			Reference Part No.	SX 5 Item No.	Reference Part No.	SX 6 Item No.
		Rotary Seal/Static Seal Ring, Carbon/Stainless Steel, EPDM			7700.226E	9630125302
		Rotary Seal/Static Seal Ring, Carbon/Stainless Steel, FPM				
		Rotary Seal/Static Seal Ring, Carbon/Stainless Steel, Silicone				
		Rotary Seal/Static Seal Ring, Carbon/Silicon Carbide, EPDM				
		Rotary Seal/Static Seal Ring, Carbon/Silicon Carbide, FPM	7700.235V	9630099041	7700.236V	9630105248
		Rotary Seal/Static Seal Ring, Carbon/Silicon Carbide, Silicone ...				
		Rotary Seal/Static Seal Ring, Silicon Carbide/Silicon Carbide, EPDM	7700.215E	9630099410	7700.216E	9630859074
		Rotary Seal/Static Seal Ring, Silicon Carbide/Silicon Carbide, FPM	7700.215V	9630099042	7700.216V	9630859075
		Rotary Seal/Static Seal Ring, Silicon Carbide/Silicon Carbide, Silicone				

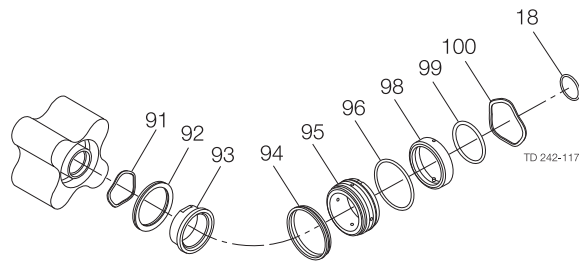


R00 Single Flushed Mechanical Seals (Complete) - SX Pump Range

Pos	Qty	Denomination	SX 7	
			Reference Part No.	SX 7 Item No.
		Rotary Seal/Static Seal Ring, Carbon/Stainless Steel, EPDM	7700.227E	9630125304
		Rotary Seal/Static Seal Ring, Carbon/Stainless Steel, FPM		
		Rotary Seal/Static Seal Ring, Carbon/Stainless Steel, Silicone		
		Rotary Seal/Static Seal Ring, Carbon/Silicon Carbide, EPDM	7700.237E	9630126181
		Rotary Seal/Static Seal Ring, Carbon/Silicon Carbide, FPM	7700.237V	9630095965
		Rotary Seal/Static Seal Ring, Carbon/Silicon Carbide, Silicone		
		Rotary Seal/Static Seal Ring, Silicon Carbide/Silicon Carbide, EPDM	7700.217E	9630881905
		Rotary Seal/Static Seal Ring, Silicon Carbide/Silicon Carbide, FPM	7700.217V	9630096367
		Rotary Seal/Static Seal Ring, Silicon Carbide/Silicon Carbide, Silicone		

Note 1: Q-Doc certification needs to be requested by order for mechanical seals

Note 2: SX5-7 Flushed Seals discontinued for new pump sales 2011



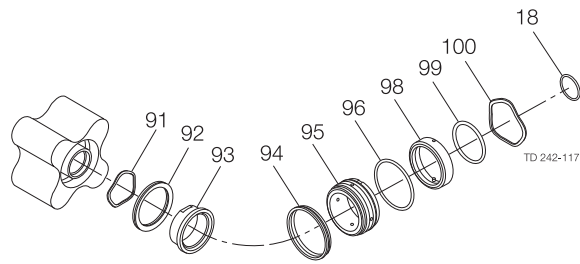
R00 Double Mechanical Seals (Complete) - SX1-SX2 Pump Models

2 seals per pump. It is recommended to replace both sets of seals when wear dictates seal replacement.

The squad ring is replaced by a conventional O-ring if the pressure between the seal flush media and pump head discharge pressure is likely to exceed 5 bar.

Pos	Qty	Denomination	< 5 bar		> 5 bar	
			SX 1 Reference Part No.	< 5 bar SX 1 Item No.	SX 1 Reference Part No.	> 5 bar SX 1 Item No.
		Rotary Seal/Static Seal Ring. Inboard Seal: Carbon/Silicon Carbide. Outboard Seal: Carbon/Stainless Steel, EPDM				
		Rotary Seal/Static Seal Ring. Inboard Seal: Carbon/Silicon Carbide. Outboard Seal: Carbon/Stainless Steel, FPM				
		Rotary Seal/Static Seal Ring. Inboard Seal: Carbon/Silicon Carbide. Outboard Seal: Carbon/Stainless Steel, Silicone				
		Rotary Seal/Static Seal Ring. Inboard Seal: Carbon/Silicon Carbide. Outboard Seal: Carbon/Silicon Carbide, EPDM				
		Rotary Seal/Static Seal Ring. Inboard Seal: Carbon/Silicon Carbide. Outboard Seal: Carbon/Silicon Carbide, FPM				
		Rotary Seal/Static Seal Ring. Inboard Seal: Carbon/Silicon Carbide. Outboard Seal: Carbon/Silicon Carbide, Silicone				
		Rotary Seal /Static Seal Ring. Inboard Seal: Silicon Carbide/Silicon Carbide. Outboard Seal: Carbon/Stainless Steel, EPDM	7700.701E	9630920070	7700.701E/5	9630950728
		Rotary Seal/Static Seal Ring. Inboard Seal: Silicon Carbide/Silicon Carbide. Outboard Seal: Carbon/Stainless Steel, FPM	7700.701V	9630950724	7700.701V/5	9630941345
		Rotary Seal/Static Seal Ring. Inboard Seal: Silicon Carbide/Silicon Carbide. Outboard Seal: Carbon/Stainless Steel, Silicone	7700.701S	9630950725	7700.701S/5	9630950729
		Rotary Seal/Stationary Seal Ring. Inboard Seal: Silicon Carbide/Silicon Carbide. Outboard Seal: Carbon/Silicon Carbide, EPDM	7700.711E	9630092953	7700.711E/5	9630950730
		Rotary Seal/Stationary Seal Ring. Inboard Seal: Silicon Carbide/Silicon Carbide. Outboard Seal: Carbon/Silicon Carbide, FPM	7700.711V	9630950726	7700.711V/5	9630939858
		Rotary Seal/Stationary Seal Ring. Inboard Seal: Silicon Carbide/Silicon Carbide. Outboard Seal: Carbon/Silicon Carbide, MVQ	7700.711S	9630950727	7700.711S/5	9630950731

Pos	Qty	Denomination	< 5 bar		> 5 bar	
			SX 2 Reference Part No.	< 5 bar SX 2 Item No.	SX 2 Reference Part No.	> 5 bar SX 2 Item No.
		Rotary Seal/Static Seal Ring. Inboard Seal: Carbon/Silicon Carbide. Outboard Seal: Carbon/Stainless Steel, EPDM	7700.602E	9630089284		
		Rotary Seal/Static Seal Ring. Inboard Seal: Carbon/Silicon Carbide. Outboard Seal: Carbon/Stainless Steel, FPM				
		Rotary Seal/Static Seal Ring. Inboard Seal: Carbon/Silicon Carbide. Outboard Seal: Carbon/Stainless Steel, Silicone				
		Rotary Seal/Static Seal Ring. Inboard Seal: Carbon/Silicon Carbide. Outboard Seal: Carbon/Silicon Carbide, EPDM	7700.612E	9630113523	7700.612E/5	
		Rotary Seal/Static Seal Ring. Inboard Seal: Carbon/Silicon Carbide. Outboard Seal: Carbon/Silicon Carbide, FPM	7700.612V	9630126960		
		Rotary Seal/Static Seal Ring. Inboard Seal: Carbon/Silicon Carbide. Outboard Seal: Carbon/Silicon Carbide, Silicone				
		Rotary Seal/Static Seal Ring. Inboard Seal: Silicon Carbide/Silicon Carbide. Outboard Seal: Carbon/Stainless Steel, EPDM	7700.702E	9630099040	7700.702E/5	9630919601
		Rotary Seal/Static Seal Ring. Inboard Seal: Silicon Carbide/Silicon Carbide. Outboard Seal: Carbon/Stainless Steel, FPM	7700.702V	9630920102	7700.702V/5	9630950734
		Rotary Seal/Static Seal Ring. Inboard Seal: Silicon Carbide/Silicon Carbide. Outboard Seal: Carbon/Stainless Steel, Silicone	7700.702S	9630950732	7700.702S/5	9630950735
		Rotary Seal/Static Seal Ring. Inboard Seal: Silicon Carbide/Silicon Carbide. Outboard Seal: Carbon/Silicon Carbide, EPDM	7700.712E	9630864558	7700.712E/5	9630950736
		Rotary Seal/Static Seal Ring. Inboard Seal: Silicon Carbide/Silicon Carbide. Outboard Seal: Carbon/Silicon Carbide, FPM	7700.712V	9630864012	7700.712V/5	9630929117
		Rotary Seal/Static Seal Ring. Inboard Seal: Silicon Carbide/Silicon Carbide. Outboard Seal: Carbon/Silicon Carbide, Silicone	7700.712S	9630950733	7700.712S/5	9630950737



R00 Double Mechanical Seals (Complete) - SX3 and SX4 Pump Models

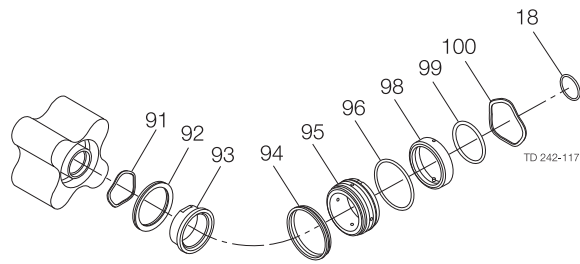
2 seals per pump. It is recommended to replace both sets of seals when wear dictates seal replacement.

The squad ring is replaced by a conventional 'o' ring if the pressure between the seal flush media and pump head discharge pressure is likely to exceed 5 bar.

Pos	Qty	Denomination	< 5 bar		> 5 bar	
			SX 3 Reference Part No.	< 5 bar SX 3 Item No.	SX 3 Reference Part No.	> 5 bar SX 3 Item No.
		Rotary Seal/Static Seal Ring. Inboard Seal: Carbon/Silicon Carbide. Outboard Seal: Carbon/Stainless Steel, EPDM				
		Rotary Seal/Static Seal Ring. Inboard Seal: Carbon/Silicon Carbide. Outboard Seal: Carbon/Stainless Steel, FPM				
		Rotary Seal/Static Seal Ring. Inboard Seal: Carbon/Silicon Carbide. Outboard Seal: Carbon/Stainless Steel, Silicone				
		Rotary Seal/Static Seal Ring. Inboard Seal: Carbon/Silicon Carbide. Outboard Seal: Carbon/Silicon Carbide, EPDM				
		Rotary Seal/Static Seal Ring. Inboard Seal: Carbon/Silicon Carbide. Outboard Seal: Carbon/Silicon Carbide, FPM				
		Rotary Seal/Static Seal Ring. Inboard Seal: Carbon/Silicon Carbide. Outboard Seal: Carbon/Silicon Carbide, Silicone				
		Rotary Seal/Static Seal Ring. Inboard Seal: Silicon Carbide/Silicon Carbide. Outboard Seal: Carbon/Stainless Steel, EPDM	7700.703E	9630086974	7700.703E/5	9630878666
		Rotary Seal/Static Seal Ring. Inboard Seal: Silicon Carbide/Silicon Carbide. Outboard Seal: Carbon/Stainless Steel, EPDM	7700.703V	9630087910	7700.703V/5	9630950740
		Rotary Seal/Static Seal Ring. Inboard Seal: Silicon Carbide/Silicon Carbide. Outboard Seal: Carbon/Stainless Steel, EPDM	7700.703S	9630932826	7700.703S/5	9630950738
		Rotary Seal/Static Seal Ring. Inboard Seal: Silicon Carbide/Silicon Carbide. Outboard Seal: Carbon/Silicon Carbide, EPDM	7700.713E	9630112225	7700.713E/5	9630950741
		Rotary Seal/Static Seal Ring. Inboard Seal: Silicon Carbide/Silicon Carbide. Outboard Seal: Carbon/Silicon Carbide, FPM	7700.713V	9630863999	7700.713V/5	9630938517
		Rotary Seal/Static Seal Ring. Inboard Seal: Silicon Carbide/Silicon Carbide. Outboard Seal: Carbon/Silicon Carbide, Silicone	7700.713S	9630932856	7700.713S/5	9630950742

Note: Q-Doc certification needs to be requested by order for mechanical seals

Pos	Qty	Denomination	< 5 bar		> 5 bar	
			SX 4 Reference Part No.	< 5 bar SX 4 Item No.	SX 4 Reference Part No.	> 5 bar SX 4 Item No.
		Rotary Seal/Stationary Seal Ring. Inboard Seal: Carbon/Silicon Carbide. Outboard Seal: Carbon/Stainless Steel, EPDM	7700.604E	9630085932	7700.604E/5	9630085933
		Rotary Seal/Stationary Seal Ring. Inboard Seal: Carbon/Silicon Carbide. Outboard Seal: Carbon/Stainless Steel, FPM				
		Rotary Seal/Stationary Seal Ring. Inboard Seal: Carbon/Silicon Carbide. Outboard Seal: Carbon/Stainless Steel, Silicone				
		Rotary Seal/Stationary Seal Ring. Inboard Seal: Carbon/Silicon Carbide. Outboard Seal: Carbon/Silicon Carbide, EPDM				
		Rotary Seal/Stationary Seal Ring. Inboard Seal: Carbon/Silicon Carbide. Outboard Seal: Carbon/Silicon Carbide, FPM				
		Rotary Seal/Stationary Seal Ring. Inboard Seal: Carbon/Silicon Carbide. Outboard Seal: Carbon/Silicon Carbide, Silicone				
		Rotary Seal/Stationary Seal Ring. Inboard Seal: Silicon Carbide/Silicon Carbide. Outboard Seal: Carbon/Stainless Steel, EPDM	7700.704E	9630113572	7700.704E/5	9630104481
		Rotary Seal/Stationary Seal Ring. Inboard Seal: Silicon Carbide/Silicon Carbide. Outboard Seal: Carbon/Stainless Steel, FPM	7700.704V	9630855583	7700.704V/5	9630950745
		Rotary Seal/Stationary Seal Ring. Inboard Seal: Silicon Carbide/Silicon Carbide. Outboard Seal: Carbon/Stainless Steel, Silicone	7700.704S	9630932827	7700.704S/5	9630950743
		Rotary Seal/Static Seal Ring. Inboard Seal: Silicon Carbide/Silicon Carbide. Outboard Seal: Carbon/Silicon Carbide, EPDM	7700.714E	9630087511	7700.714E/5	9630092624
		Rotary Seal/Static Seal Ring. Inboard Seal: Silicon Carbide/Silicon Carbide. Outboard Seal: Carbon/Silicon Carbide, FPM	7700.714V	9630919138	7700.714V/5	9630855585
		Rotary Seal/Static Seal Ring. Inboard Seal: Silicon Carbide/Silicon Carbide. Outboard Seal: Carbon/Silicon Carbide, Silicone	7700.714S	9630932857	7700.714S/5	9630950744



R00 Double Mechanical Seals (Complete) - SX5-7 Pump Models

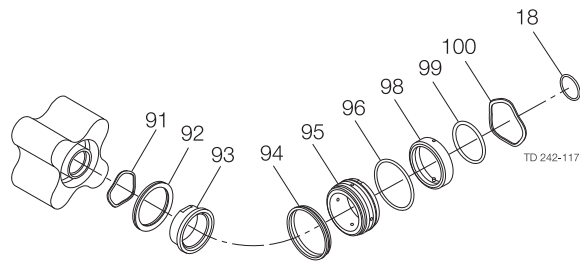
2 seals per pump. It is recommended to replace both sets of seals when wear dictates seal replacement.

The squad ring is replaced by a conventional 'o' ring if the pressure between the seal flush media and pump head discharge pressure is likely to exceed 5 bar.

Pos	Qty	Denomination	< 5 bar		> 5 bar	
			SX 5 Reference Part No.	< 5 bar SX 5 Item No.	SX 5 Reference Part No.	> 5 bar SX 5 Item No.
		Rotary Seal/Static Seal Ring. Inboard Seal: Silicon Carbide/Silicon Carbide. Outboard Seal: Carbon/Silicon Carbide, EPDM				
		Rotary Seal/Static Seal Ring. Inboard Seal: Silicon Carbide/Silicon Carbide. Outboard Seal: Carbon/Silicon Carbide, FPM				
		Rotary Seal/Static Seal Ring. Inboard Seal: Silicon Carbide/Silicon Carbide. Outboard Seal: Carbon/Silicon Carbide, Silicone				
		Rotary Seal/Static Seal Ring. Inboard Seal: Silicon Carbide/Silicon Carbide. Outboard Seal: Carbon/Silicon Carbide, EPDM			7700.615E/5	9630944085
		Rotary Seal/Static Seal Ring. Inboard Seal: Silicon Carbide/Silicon Carbide. Outboard Seal: Carbon/Silicon Carbide, FPM				
		Rotary Seal/Static Seal Ring. Inboard Seal: Silicon Carbide/Silicon Carbide. Outboard Seal: Carbon/Silicon Carbide, Silicone				
		Rotary Seal/Static Seal Ring. Inboard Seal: Silicon Carbide/Silicon Carbide. Outboard Seal: Carbon/Silicon Carbide, EPDM	7700.705E	9630950746	7700.705E/5	9630935628
		Rotary Seal/Static Seal Ring. Inboard Seal: Silicon Carbide/Silicon Carbide. Outboard Seal: Carbon/Silicon Carbide, FPM	7700.705V	9630856012	7700.705V/5	9630941115
		Rotary Seal/Static Seal Ring. Inboard Seal: Silicon Carbide/Silicon Carbide. Outboard Seal: Carbon/Silicon Carbide, Silicone	7700.705S	9630950747	7700.705S/5	9630950748
		Rotary Seal/Static Seal Ring. Inboard Seal: Silicon Carbide/Silicon Carbide. Outboard Seal: Carbon/Silicon Carbide, EPDM	7700.715E	9630921032	7700.715E/5	9630921033
		Rotary Seal/Static Seal Ring. Inboard Seal: Silicon Carbide/Silicon Carbide. Outboard Seal: Carbon/Silicon Carbide, FPM	7700.715V	9630950749	7700.715V/5	9630942465
		Rotary Seal/Static Seal Ring. Inboard Seal: Silicon Carbide/Silicon Carbide. Outboard Seal: Carbon/Silicon Carbide, Silicone	7700.715S	9630950750	7700.715S/5	9630950751

Pos	Qty	Denomination	< 5 bar		> 5 bar	
			SX 6 Reference Part No.	< 5 bar SX 6 Item No.	SX 6 Reference Part No.	> 5 bar SX 6 Item No.
		Rotary Seal/Static Seal Ring. Inboard Seal: Silicon Carbide/Silicon Carbide. Outboard Seal: Carbon/Silicon Carbide, EPDM	7700.606E	9630125328	7700.606E/5	9630125331
		Rotary Seal/Static Seal Ring. Inboard Seal: Silicon Carbide/Silicon Carbide. Outboard Seal: Carbon/Silicon Carbide, FPM				
		Rotary Seal/Static Seal Ring. Inboard Seal: Silicon Carbide/Silicon Carbide. Outboard Seal: Carbon/Silicon Carbide, Silicone				
		Rotary Seal/Static Seal Ring. Inboard Seal: Silicon Carbide/Silicon Carbide. Outboard Seal: Carbon/Silicon Carbide, EPDM				
		Rotary Seal/Static Seal Ring. Inboard Seal: Silicon Carbide/Silicon Carbide. Outboard Seal: Carbon/Silicon Carbide, FPM				
		Rotary Seal/Static Seal Ring. Inboard Seal: Silicon Carbide/Silicon Carbide. Outboard Seal: Carbon/Silicon Carbide, Silicone				
		Rotary Seal/Static Seal Ring. Inboard Seal: Silicon Carbide/Silicon Carbide. Outboard Seal: Carbon/Silicon Carbide, EPDM	7700.706E	9630864049	7700.706E/5	9630943670
		Rotary Seal/Static Seal Ring. Inboard Seal: Silicon Carbide/Silicon Carbide. Outboard Seal: Carbon/Silicon Carbide, FPM	7700.706V	9630950753	7700.706V/5	9630950754
		Rotary Seal/Static Seal Ring. Inboard Seal: Silicon Carbide/Silicon Carbide. Outboard Seal: Carbon/Silicon Carbide, Silicone	7700.706S	9630950755	7700.706S/5	9630950756
		Rotary Seal/Static Seal Ring. Inboard Seal: Silicon Carbide/Silicon Carbide. Outboard Seal: Carbon/Silicon Carbide, EPDM	7700.716E	9630095935	7700.716E/5	9630938776
		Rotary Seal/Static Seal Ring. Inboard Seal: Silicon Carbide/Silicon Carbide. Outboard Seal: Carbon/Silicon Carbide, FPM	7700.716V	9630861723	7700.716V/5	9630950752
		Rotary Seal/Static Seal Ring. Inboard Seal: Silicon Carbide/Silicon Carbide. Outboard Seal: Carbon/Silicon Carbide, Silicone	7700.716S	9630950757	7700.716S/5	9630950758

Note: Q-Doc certification needs to be requested by order for mechanical seals



R00 Double Mechanical Seals (Complete) - SX5-7 Pump Models

Pos	Qty	Denomination	< 5 bar		> 5 bar	
			SX 7 Reference Part No.	< 5 bar SX 7 Item No.	SX 7 Reference Part No.	> 5 bar SX 7 Item No.
		Rotary Seal/Static Seal Ring. Inboard Seal: Carbon/Silicon Carbide. Outboard Seal: Carbon/Stainless Steel, EPDM	7700.607E	9630125329	7700.607E/5	9630125330
		Rotary Seal/Static Seal Ring. Inboard Seal: Carbon/Silicon Carbide. Outboard Seal: Carbon/Stainless Steel, FPM				
		Rotary Seal/Static Seal Ring. Inboard Seal: Carbon/Silicon Carbide. Outboard Seal: Carbon/Stainless Steel, Silicone				
		Rotary Seal/Static Seal Ring. Inboard Seal: Carbon/Silicon Carbide. Outboard Seal: Carbon/Silicon Carbide, EPDM				
		Rotary Seal/Static Seal Ring. Inboard Seal: Carbon/Silicon Carbide. Outboard Seal: Carbon/Silicon Carbide, FPM				
		Rotary Seal/Static Seal Ring. Inboard Seal: Carbon/Silicon Carbide. Outboard Seal: Carbon/Silicon Carbide, Silicone				
		Rotary Seal/Static Seal Ring. Inboard Seal: Silicon Carbide/Silicon Carbide. Outboard Seal: Carbon/Stainless Steel, EPDM	7700.707E	9630929982	7700.707E/5	9630950760
		Rotary Seal /Static Seal Ring. Inboard Seal: Silicon Carbide/Silicon Carbide. Outboard Seal: Carbon/Stainless Steel, FPM	7700.707V	9630950759	7700.707V/5	9630932745
		Rotary Seal/Static Seal Ring. Inboard Seal: Silicon Carbide/Silicon Carbide. Outboard Seal: Carbon/Stainless Steel, Silicone	7700.707S	9630950762	7700.707S/5	9630950763
		Rotary Seal/Static Seal Ring. Inboard Seal: Silicon Carbide/Silicon Carbide. Outboard Seal: Carbon/Silicon Carbide, EPDM	7700.717E	9630090029	7700.717E/5	9630950761
		Rotary Seal/Static Seal Ring. Inboard Seal: Silicon Carbide/Silicon Carbide. Outboard Seal: Carbon/Silicon Carbide, FPM	7700.717V	9630934151	7700.717V/5	9630936885
		Rotary Seal/Static Seal Ring. Inboard Seal: Silicon Carbide/Silicon Carbide. Outboard Seal: Carbon/Silicon Carbide, Silicone	7700.717S	9630950764	7700.717S/5	9630950765

Note: Q-Doc certification needs to be requested by order for mechanical seals

15 R00 Mechanical Seals (Parts) - SX1 and SX2 Pump Models

Pos	Qty	Denomination	SX 1		SX 2	
			Reference Part No.	SX 1 Item No.	Reference Part No.	SX 2 Item No.
Parts for single R00 seals						
18	2	O-Ring, rotor sealing shaft end, EPDM	5380,821	9630127026	1556,018	9630854853
	2	O-Ring, rotor sealing shaft end, FPM	5380,389	9630022907	1551,018	9630035241
	2	O-Ring, rotor sealing shaft end, Silicone	5380,680	9630070311	5380,775	9630126677
92	2	Squad Ring, EPDM	5383,105	9630069434	5383,205	9630069435
	2	Squad Ring, FPM	5383,101	9630069440	5383,201	9630069654
	2	Squad Ring, Silicone	5383,104	9630069437	5383,204	9630069438
93	2	Rotary Seal Ring, Carbon	R5610.141	9630075409	R5610.142	9630075423
	2	Rotary Seal Ring, Silicon Carbide	R5610.121	9630069795	R5610.122	9630069796
94	2	Cup Seal, EPDM	5382,105	9630069424	5382,205	9630069425
	2	Cup Seal, FPM	5382,101	9630069429	5382,201	9630069430
	2	Cup Seal, Silicone	5382,104	9630069427	5382,204	9630069428
95	2	Static Seal Ring, Stainless Steel	R5630.151	9630075411	R5630.152	9630075424
	2	Static Seal Ring, Silicon Carbide	R5630.121	9630069809	R5630.122	9630069810
Additional parts to convert above R00 single seals to single flushed seals						
95* note1	2	Static Seal Ring, Stainless Steel	R5630.171	9630075645	R5630.172	9630075646
	2	Static Seal Ring, Silicon Carbide	R5630.111	9630069802	R5630.112	9630069803
96	2	Static Seal Ring O-Ring, EPDM	5380,819	9630127024	1556,131	9630854460
	2	Static Seal Ring O-Ring, FPM	5380,904	9630941125	1551,131	9630023418
	2	Static Seal Ring O-Ring, Silicone	1554,123	9630043327	1554,131	9630074739
97	2	Lip Seal, FPM	5320,021	9630075620	5320,022	9630075621
Note 1: 95* replaces 95 above.						
Note 2: To convert to single flush seal also requires drg item no. 59 (elbow).						
Additional parts to convert above R00 single seals to double flushed seals						
92*note 2	2	Rotary Seal Ring O-Ring, EPDM	5380,695	9630071261	1555,324	9630074754
	2	Rotary Seal Ring O-Ring, FPM	5380,692	9630071246	1551,324	9630074750
	2	Rotary Seal Ring O-Ring, Silicone	5380,694	9630071260	1554,324	9630074752
95*note 1	2	Static Seal Ring, Sil.Car (inboard) /St.Stl (outboard)	R5630.141	9630069817	R5630.142	9630069820
	2	Static Seal Ring, Sil.Car (inboard) /Sil.Car (outboard)	R5630.131	9630069816	R5630.132	9630069819
96	2	Static Seal Ring O-Ring, EPDM	5380,819	9630127024	1556,131	9630854460
	2	Static Seal Ring O-Ring, FPM	5380,904	9630941125	1551,131	9630023418
	2	Static Seal Ring O-Ring, Silicone	1554,123	9630043327	1554,131	9630074739
98	2	Rotary Seal Ring (outboard), Carbon	R5610.131	9630069832	R5610.132	9630069833
99	2	Rotary Seal Ring O-Ring, EPDM	5380,820	9630127025	5380,686	9630071238
	2	Rotary Seal Ring O-Ring, FPM	5380,753	9630111351	5380,684	9630071237
	2	Rotary Seal Ring O-Ring, MVQ	5380,679	9630074749	5380,696	9630071259
Note 1: 95* replaces 95 above.						
Note 2: The squad ring is replaced by a conventional O-ring if the pressure difference between the seal flush media and pump head discharge pressure is likely to exceed 5 bar (ie 92* replaces 92 above).						
Note 3: To convert to double seal also requires drg item no. 59 (elbow).						
Wave springs supplied with drg no. 93 and 98 rotary seal rings:						
91	2	Wave Spring	R6300.051	9630075413	R6300.052	9630075425
100	2	Wave Spring	R6300.061	9630075414	R6300.062	9630075426

16 R00 Mechanical Seals (Parts) - SX3 and SX4 Pump Models

Pos	Qty	Denomination	SX 3		SX 4	
			Reference Part No.	SX 3 Item No	Reference Part No.	SX 4 Item No
Parts for single R00 seals						
18	2	O-Ring, rotor sealing shaft end, EPDM	1556,020	9630854463	1556,027	9630854854
	2	O-Ring, rotor sealing shaft end, FPM	5380,842	9630865836	1551,027	9630070327
	2	O-Ring, rotor sealing shaft end, Silicone	5380,758	9630124023	5380,751	9630105358
92	2	Squad Ring, EPDM	5383,305	9630069433	5383,405	9630069436
	2	Squad Ring, FPM	5383,301	9630069442	5383,401	9630069444
	2	Squad Ring, Silicone	5383,304	9630069439	5383,404	9630069443
93	2	Rotary Seal Ring, Carbon	R5610.143	9630075427	R5610.144	9630075431
	2	Rotary Seal Ring, Silicon Carbide	R5610.123	9630069797	R5610.124	9630069798
94	2	Cup Seal, EPDM	5382,305	9630069421	5382,405	9630069426
	2	Cup Seal, FPM	5382,301	9630069423	5382,401	9630069432
	2	Cup Seal, Silicone	5382,304	9630069422	5382,404	9630069431
95	2	Static Seal Ring, Stainless Steel	R5630.153	9630075428	R5630.154	9630075432
	2	Static Seal Ring, Silicon Carbide	R5630.123	9630069811	R5630.124	9630069812
Additional parts to convert above R00 single seals to single flushed seals						
95*note	2	Static Seal Ring, Stainless Steel	R5630.173	9630075647	R5630.174	9630075648
	2	Static Seal Ring, Silicon Carbide	R5630.113	9630069804	R5630.114	9630069805
96	2	Static Seal Ring O-Ring, EPDM	1555,134	9630043509	1555,144	9630038946
	2	Static Seal Ring O-Ring, FPM	5380,843	9630865837	1551,144	9630038945
	2	Static Seal Ring O-Ring, Silicone	5380,823	9630858819	1554,144	9630071262
97	2	Lip Seal, FPM	5320,023	9630075622	5320,024	9630075623
Note 1: 95* replaces 95 above.						
Note 2: To convert to single flush seal also requires drg item no.59 (elbow).						
Additional parts to convert above R00 single seals to double flushed seals						
92*note	2	Rotary Seal Ring O-Ring, EPDM	1555,325	9630854467	1555,330	9630929689
	2	Rotary Seal Ring O-Ring, FPM	5380,900	9630941109	5380,857	9630932210
	2	Rotary Seal Ring O-Ring, Silicone	1554,325	9630074753	1554,330	9630074760
95*note	2	Static Seal Ring, Sil.Car (inboard) / Sil.Car (outboard)	R5630.143	9630069822	R5630.144	9630069825
	2	Static Seal Ring, Sil.Car (inboard) / Sil.Car (outboard)	R5630.133	9630069821	R5630.134	9630069823
96	2	Static Seal Ring O-Ring, EPDM	1556,134	9630854855	1555,144	9630038946
	2	Static Seal Ring O-Ring, FPM	5380,843	9630865837	1551,144	9630038945
	2	Static Seal Ring O-Ring, Silicone	5380,823	9630858819	1554,144	9630071262
98	2	Rotary Seal Ring (outboard), Carbon	R5610.133	9630069834	R5610.134	9630069835
99	2	Rotary Seal Ring O-Ring, EPDM	5380,691	9630071245	1555,830	9630071265
	2	Rotary Seal Ring O-Ring, FPM	5380,069	9630024187	1551,830	9630071264
	2	Rotary Seal Ring O-Ring, Silicone	5380,687	9630071239	1554,830	9630071263
Note 1: 95* replaces 95 above.						
Note 2: The squad ring is replaced by a conventional O-ring if the pressure difference between the seal flush media and pump head discharge pressure is likely to exceed 5 bar (ie 92* replaces 92 above).						
Note 3: To convert to double seal also requires drg item no. 59 (elbow).						
Wave springs supplied with drg no. 93 and 98 rotary seal rings:						
91	2	Wave Spring	R6300.053	9630075429	R6300.054	9630075433
100	2	Wave Spring	R6300.063	9630075430	R6300.064	9630075434

17 R00 Mechanical Seals (Parts) - SX5 and SX6 Pump Models

Pos	Qty	Denomination	SX 5		SX 6	
			Reference Part No.	SX 5 Item No	Reference Part No.	SX 6 Item No
Parts for single R00 seals						
18	2	O-Ring, rotor sealing shaft end, EPDM	1556,134	9630854855	1556,141	9630854891
	2	O-Ring, rotor sealing shaft end, FPM	5380,843	9630865837	5380,754	9630111352
	2	O-Ring, rotor sealing shaft end, Silicone	5380,823	9630858819	5380,752	9630105357
92	2	Squad Ring, EPDM	5383,505	9630069867	5383,605	9630069870
	2	Squad Ring, FPM	5383,501	9630069868	5383,601	9630069872
	2	Squad Ring, Silicone	5383,504	9630069869	5383,604	9630069873
93	2	Rotary Seal Ring, Carbon	R5610.145	9630075435	R5610.146	9630075439
	2	Rotary Seal Ring, Silicon Carbide	R5610.125	9630069799	R5610.126	9630069800
94	2	Cup Seal, EPDM	5382,505	9630069858	5382,605	9630069859
	2	Cup Seal, FPM	5382,501	9630069861	5382,601	9630069863
	2	Cup Seal, Silicone	5382,504	9630069862	5382,604	9630069864
95	2	Static Seal Ring, Stainless Steel	R5630.155	9630075436	R5630.156	9630075440
	2	Static Seal Ring, Silicon Carbide	R5630.125	9630069813	R5630.126	9630069814
Additional parts to convert above R00 single seals to double flushed seals						
92*note 2	2	Rotary Seal Ring O-Ring, EPDM	1556,335	9630854475	1556,339	9630854489
	2	Rotary Seal Ring O-Ring, FPM	5380,651	9630063121	5380,901	9630941121
	2	Rotary Seal Ring O-Ring, Silicone	1554,335	9630074762	1554,339	9630074764
95*note 1	2	Static Seal Ring, Sil.Car (inboard) /St.Stl (outboard)	R5630.145	9630069827	R5630.146	9630069829
	2	Static Seal Ring, Sil.Car (inboard) /Sil.Car (outboard)	R5630.135	9630069826	R5630.136	9630069828
96	2	Static Seal Ring O-Ring, EPDM	1556,234	9630941114	5380,757	9630111355
	2	Static Seal Ring O-Ring, FPM	5380,654	9630063125	5380,756	9630111354
	2	Static Seal Ring O-Ring, Silicone	1554,234	9630042618	1554,238	9630074740
98	2	Rotary Seal Ring (outboard), Carbon	R5610.135	9630069836	R5610.136	9630069837
99	2	Rotary Seal Ring O-Ring, EPDM	1556,231	9630941680	1556,234	9630941114
	2	Rotary Seal Ring O-Ring, FPM	1551,231	9630023448	5380,654	9630063125
	2	Rotary Seal Ring O-Ring, Silicone	1554,231	9630074742	1554,234	9630042618
Note 1: 95* replaces 95 above.						
Note 2: The squad ring is replaced by a conventional O-ring if the pressure difference between the seal flush media and pump head discharge pressure is likely to exceed 8 bar (ie 92* replaces 92 above).						
Note 3: To convert to double seal also requires drg item no.18 (O-ring) and 59 (elbow).						
Wave springs supplied with drg no. 93 and 98 rotary seal rings:						
91	2	Wave Spring	R6300.055	9630075437	R6300.056	9630075441
100	2	Wave Spring	R6300.065	9630075438	R6300.066	9630075442
Note: Q-Doc certification needs to be requested by order for mechanical seal parts						

18 R00 Mechanical Seals (Parts) - SX7 Pump Models

Pos	Qty	Denomination	SX 7	
			Reference Part No.	SX 7 Item No
Parts for single R00 seals				
18	2	O-Ring, rotor sealing shaft end, EPDM	1556,230	9630854473
	2	O-Ring, rotor sealing shaft end, FPM	5380,902	9630941123
	2	O-Ring, rotor sealing shaft end, Silicone	5380,759	9630124024
92	2	Squad Ring, EPDM	5383,705	9630069871
	2	Squad Ring, FPM	5383,701	9630069875
	2	Squad Ring, Silicone	5383,704	9630069874
93	2	Rotary Seal Ring, Carbon	R5610.147	9630075446
	2	Rotary Seal Ring, Silicon Carbide	R5610.127	9630069801
94	2	Cup Seal, EPDM	5382,705	9630069860
	2	Cup Seal, FPM	5382,701	9630069865
	2	Cup Seal, Silicone	5382,704	9630069866
95	2	Static Seal Ring, Stainless Steel	R5630.157	9630075447
	2	Static Seal Ring, Silicon Carbide	R5630.127	9630069815
Additional parts to convert above R00 single seals to double flushed seals				
92*note 2	2	Rotary Seal Ring, O-Ring, EPDM	1556,344	9630929690
	2	Rotary Seal Ring, O-Ring, FPM	1551,344	9630074759
	2	Rotary Seal Ring, O-Ring, Silicone	1554,344	9630074765
95*note 1	2	Static Seal Ring, Sil.Car (inboard) /St.Stl (outboard)	R5630.147	9630069831
	2	Static Seal Ring, Sil.Car (inboard) /Sil.Car (outboard)	R5630.137	9630069830
96	2	Static Seal Ring, O-Ring, EPDM	1556,244	9630857065
	2	Static Seal Ring, O-Ring, FPM	1551,244	9630037183
	2	Static Seal Ring, O-Ring, Silicone	1554,244	9630043332
98	2	Rotary Seal Ring (outboard), Carbon	R5610.137	9630069538
99	2	Rotary Seal Ring O-Ring, EPDM	1556,239	9630854451
	2	Rotary Seal Ring O-Ring, FPM	5380,903	9630941124
	2	Rotary Seal Ring O-Ring, Silicone	1554,239	9630074743
Note 1: 95* replaces 95 above.				
Note 2: The squad ring is replaced by a conventional O-ring if the pressure difference between the seal flush media and pump head discharge pressure is likely to exceed 8 bar (ie 92* replaces 92 above).				
Note 3: To convert to double seal also requires drg item no.18 and 59.				
Wave springs supplied with drg no. 93 and 98 rotary seal rings:				
91	2	Wave Spring	R6300.057	9630075444
100	2	Wave Spring	R6300.067	9630075445
Note: Q-Doc certification needs to be requested by order for mechanical seal parts				

19 SX ATEX Parts

Pos	Qty	Denomination	Reference Part	
			No.	Item No.
8	1	Shim - stainless steel, SX1	6150.151	9630034304
	set			
	1	Shim - stainless steel, SX2	6150.153	9630034201
	set			
	1	Shim - stainless steel, SX3	6150.155	9630034030
	set			
	1	Shim - stainless steel, SX4	6150.157	9630033704
	set			
	1	Shim - stainless steel, SX5	6150.159	9630033411
	set			
	1	Shim - stainless steel, SX6	6150.161	9630033392
	set			
	1	Shim - stainless steel, SX7	tba	tba
	set			
46	1	Sight glass	5480.010	9630855435
47	1	Filler plug	5192.286	9630105171
50	2	Gland guard, SX1	5243.141	9630111575
	2	Gland guard, SX2	5243.142	9630111576
	2	Gland guard, SX3	5243.143	9630111577
	2	Gland guard, SX4	5243.144	9630111562
	2	Gland guard, SX5	5243.145	9630111644
	2	Gland guard, SX6	5243.146	9630111645
	2	Gland guard, SX7	5243.147	9630111646
95	1	Stationary seal ring with thermocouple SX1	tba	tba
	1	Stationary seal ring with thermocouple SX2	tba	tba
	1	Stationary seal ring with thermocouple SX3	R5630.223	9630863493
	1	Stationary seal ring with thermocouple SX4	tba	tba
	1	Stationary seal ring with thermocouple SX5	tba	tba
	1	Stationary seal ring with thermocouple SX6	tba	tba
	1	Stationary seal ring with thermocouple SX7	tba	tba
101	1	Hermocouple clamp plate SX1	tba	tba
	1	Hermocouple clamp plate SX2	tba	tba
	1	Hermocouple clamp plate SX3	5087.087	9630921042
	1	Hermocouple clamp plate SX4	tba	tba
	1	Hermocouple clamp plate SX5	tba	tba
	1	Hermocouple clamp plate SX6	tba	tba
	1	Hermocouple clamp plate SX7	tba	tba
102	2	Screw, thermocouple clamp plate SX1	tba	tba
	2	Screw, thermocouple clamp plate SX2-3	5990.051	9630021076
	2	Screw, thermocouple clamp plate SX4-7	tba	tba
103	1	Plastic bush SX1-7	5060.021	9630855571
104	1	Screw, bush locking SX1-7	5950.091	9630863216
	1	Stud, earthing, SX1	6350.148	9630105360
	1	Stud, earthing, SX2-4	6350.149	9630105362
	1	Stud, earthing, SX5-7	6350.148	9630105360
	2	Nut, earthing stud	5330.003	9630024057
	2	Washer, lock	6410.009	9630105264
	1	Earth bonding cable	4450,222	9630105267
	2	Terminal copper tube	4450,223	9630105435
	1	Earth bonding tag	5410,088	9630105614

20 Revision History - SX Pump

Issue	Ref	Date	Description
	-	1999	SX range introduced and replaces SK MKII.
1999-09	TM	01-09-1999	New manual issue 1 ref SPM703/01
1.01	CH	17-11-2000	Pump drg item no 14A (gasket) deleted. The gaskets are no longer available and silicone sealant (item Z3717.0001) is used.
1.02	CH	17-11-2000	SX1-3 Drg. Item no. 45 revised from part number 5470.001 item 9630024417 to part number 1660.004 item 9630023546.
1.03	CH	17-11-2000	SX4-7 Drg. Item no. 45 revised from part number 5470.003 item 9630040436 to part number 1660.008 item 9630023548.
1.04	CH5827	17-11-2000	SX1-4 Drg Item no. 49 universal mounting blanking plug (qty=4) added. SX1 part number 5470.022 item 9630089950 SX2-3 part number 5470.020 item 9630087278 SX4 part number 5470.021 item 9630089949
1.05	CH10543	07-01-2002	Item numbers of rotorcases revised.
1.06		01-11-2002	SX1 Drg. Item no. 3 corrected to Qty 4 off part number 6350.146 item 9630074135 (SX1/005) and Qty 4 off part number 6350.135 item 9630052259 (SX1/007).
1.07		01-11-2002	SX1 Drg. Item no. 10 deleted (SX1/005) and part number corrected (SX1/007) to 6350.135 item 9630052259.
1.08		01-11-2002	SX3 Drg. Item no 18 corrected from part number 5380.569 item 9630057521 to part number 1551.020 item
1.09		01-11-2002	SX1-4 Drg Item no. for foot, foot gasket, and bolt renumbered from 1B, 1A, and 1C to 54-58.
1.10		01-11-2002	SX1-7 Drg Item no. 50-53 details of gland guards and fixings added.
1.11		01-11-2002	SX1-7 Drg Item no. 49 rotor retainer removal tool renumbered from 49 to 60.
1.12		01-11-2002	SX1-7 Drg Item no. 59 details of rotorcase blanking plugs and flush connections added.
1.13		01-11-2002	SX1-7 Drg Item no. 48 details of plug added.
1.14		01-11-2002	SX7 Drg Item no. 18 FPM corrected from part number 1551.230 item 9630023447 to part number 5380.248 item 9630025398.
1.15		01-11-2002	SX7 Drg Item no. 18 EPDM corrected from part number 1555.230 item 9630023537 to part number 5380.250 item 9630025437.
1.16		01-11-2002	R00 Double seal option Carbon/Stainless Steel v Carbon/Stainless Steel deleted.
1.17		01-11-2002	R00 Single mechanical seal drg item no. 1 wave spring indicated separately as it is always supplied with drg item no. 3 rotary face.
1.18		01-11-2002	SX2 R00 Single flushed mechanical seal drg item no. 5 corrected from part number R5630.122 item 9630069810 to part R5630.112 item 9630069803.
1.19		01-11-2002	SX1 R00 Single flushed mechanical seal drg item no. 6 corrected from part number 1555.123 to part number 1555.123.
1.20		01-11-2002	R00 Single flushed mechanical seal drg item no. 8 circlip deleted.
1.21		01-11-2002	R00 Double mech seal drg item no. 9 deleted.
1.22		01-11-2002	R00 Double mechanical seal drg item no. 10 wave spring indicated separately as it is always supplied with drg item no. 7 rotary face.
3	0503	01-03-2005	Manual updated to include latest R00 seal drawings and parts list.
3.01	CH10783	01-03-2005	Various rotor clearance options removed (SX1/007 - 5780.007C, SX2/013 - 5780.013K, SX2/018 - 5780.018C, SX3/027 - 5780.027K, SX3/035 - 5780.035C and SX4/046 - 5780.046K).
3.02	CH-10978	16-02-2006	Rotor Sealing 'O' Ring Drg Item no. 18 added to mechanical seal kits - seal drawings changed appropriately.
3.03	CH10984	16-02-2006	SX Rotor part numbers changed to reflect 3.1 traceability as standard.
3.04		22-02-2006	Electropolished parts added.
3.05	CH-10866	23-02-2006	USP Class VI description added to EPDM elastomers.
3.06		23-02-2006	Cover/Rotor Seal Kits added.
3.07	CH-10952	23-02-2006	Part numbers for Rotor TLA Clamp Tool added for SX6-7.
3.08		28-02-2006	ATEX parts added.
3.09	CH-10702	28-02-2006	Feet gaskets removed SX1-4. Exploded view drawings amended.
3.10	CH-10847	28-02-2006	SX3 Vertically ported foot part number changed from 5225.403 to 5225.413. SX3 Gearcase part number changed from 5220.513 to 5220.353
4	0603	01-03-2006	NEW ISSUE
4.01	CH-10895	28-08-2006	USP Class VI description added to MVQ rotor sealing shaft end elastomers. Part numbers for same elastomers changed SX2-7 (SX2 - 1554.018 now 5380.775, SX3 - 1554.020 now 5380.758, SX4 - 1554.027 now 5380.751, SX5 - 1554.134 now 5380.823, SX6 - 1554.141 no
4.02	-	22-06-2007	Note added to advise of 3.1 Traceability and Electropolished Certification.
4.03		07-07-2008	Service Kits added to include Cover/Sealing Kits and R00 Single Mechanical Seals.
4.04	CH-11257	02-03-2011	SX3 ATEX Thermocouple parts added.
4.05	CH-11322	02-03-2011	SX1-4 gland guard washer part number changed.
4.06	CH-11414	02-03-2011	SX5-7 single flushed mechanical seals removed.

20 Revision History - SX Pump

Issue	Ref	Date	Description
5.00	1103	02-03-2011	NEW ISSUE
5.01	CH-10866	13-07-2011	Flushed seal 'o' ring part numbers changed - SX3 from 1555.325 to 1556.325, SX4 from 1555.330 to 1556.330, SX5 from 1555.335 to 1556.335, SX6 from 1555.339 to 1556.339, and SX7 from 1555.244 to 1556.244 and 1555.344 to 1556.344.
5.02	CH-10867	13-07-2011	USP Class VI description added to FPM elastomers. Flushed seal 'o' ring part numbers changed - SX3 from 1551.325 to 31494.5001.2, SX4 from 1551.330 to 5380.857, SX5 from 1551.335 to 31497.5001.2, and SX6 from 5380.652 to 1551.339.
5.03	CH-11460	13-07-2011	SX3 clamp plate screw part number 5990.007 replaced by 5990.005
5.04	CH-11223	20-10-2014	Horizontally ported option introduced on SX5 and SX6. Drg No. 1 Gearcase, drg No 35 Lip seal upper chamber, and drg no. 50 gland guard details updated..
5.05	CH-11615	20-10-2014	SX6 and SX7 Rotor torque locking assembly material revised, part no. revised from 5615.000 to 5615.022, item no. 9630024451 to 9630938853.
5.06	CH-11635	20-10-2014	Drg No. 53 rubber washer Part 31499.5903.3 item 9630039001 added for retaining gland guards SX5-7.
5.07	CH-11414	20-10-2014	SX5-7 single flushed mechanical seals added as only discontinued for new pump sales.
5.08	CH-11678	20-10-2014	Drg No 18 O ring revised - SX2 1551.018 to 5380.711, SX3 1551.020 to 5380.842, SX5 1551.134 to 5380.843, SX7 5380.248 to 5380.902. Drg No 92 O ring revised - SX3 31494.5001.2 to 5380.900, SX5 31497.5001.2 to 5380.651, SX6 1551.339 to 5380.901. Drg No 96 O ring revised - SX1 1555.123 to 5380.819, 1551.123 to 5380.904, SX2 1555.131 to 1556.131, SX3 1555.134 to 1556.134, 1551.134 to 5380.843, 1554.134 to 5380.823, SX4 1555.144 to 1556.144, SX5 1555.234 to 1556.234, 1551.234 to 5380.654. Drg No 99 O ring revised - SX1 5380.416 to 5380.820, SX5 1555.231 to 1556.231, SX7 1555.239 to 1556.239, 1551.239 to 5380.903.
5.09	CH-11817	20-10-2014	3.1 metal parts revised to supply with Q-Doc as standard. Service kits revised to supply with Q-Doc as standard. Mechanical seal kits and mechanical seal parts certification remains as order requested but revised to Q-Doc. (USP Class VI elastomers and elastomer kits are supplied individually bagged with certificate and traceability details on item label.)
5.10		20-10-2014	Service kit section expanded to include all options.
5.11		20-10-2014	MVQ elastomers revised description to Silicone (specification unchanged).
5.12		20-10-2014	Item no SX5 drive shaft corrected from 9630073091 to 9630073081.
6.00	1411	01-11-2014	NEW ISSUE
6.01	CH-12053	01-05-2017	Introduction of universal gearbox for SX5 and SX6. Part numbers changed for gearcase, gearcase cover, gland guards, gland guard screws and gland guard washers. Lip seal Pos No.35, qty changed to 2. Feet and bolts added.
6.02	CH-12120	18-10-2017	For SX5 and SX6, the gearbox lip seal Pos No.35 now removed. Qty of drain plug Pos No.45, sight glass Pos No.46 and filler plug Pos No.47 amended. Exploded view drawings amended.
6.03	CH-12108	01-11-2017	Introduction of universal gearbox for SX7. Part numbers changed for gearcase, gearcase cover, gland guards, gland guard screws and gland guard washers. Feet and bolts added. Exploded view drawing amended.
7.00	1711	01-11-2017	NEW ISSUE

How to contact Alfa Laval

Contact details for all countries are continually updated on our website.

Please visit www.alfalaval.com to access the information directly.

© Alfa Laval Corporate AB

This document and its contents is owned by Alfa Laval Corporate AB and protected by laws governing intellectual property and thereto related rights. It is the responsibility of the user of this document to comply with all applicable intellectual property laws. Without limiting any rights related to this document, no part of this document may be copied, reproduced or transmitted in any form or by any means (electronic, mechanical, photocopying, recording, or otherwise), or for any purpose, without the expressed permission of Alfa Laval Corporate AB. Alfa Laval Corporate AB will enforce its rights related to this document to the fullest extent of the law, including the seeking of criminal prosecution.