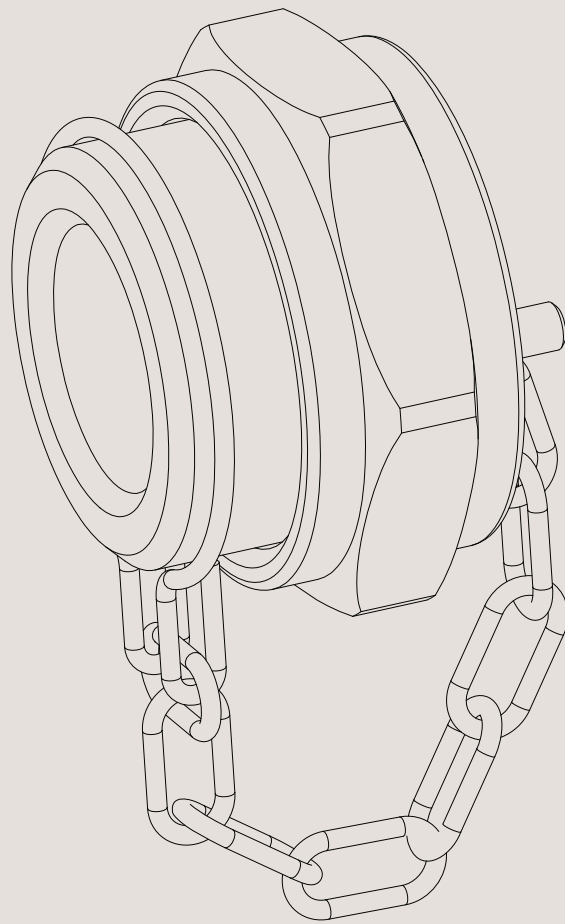




Spare Parts

SB Micro Sampling Port, Type M

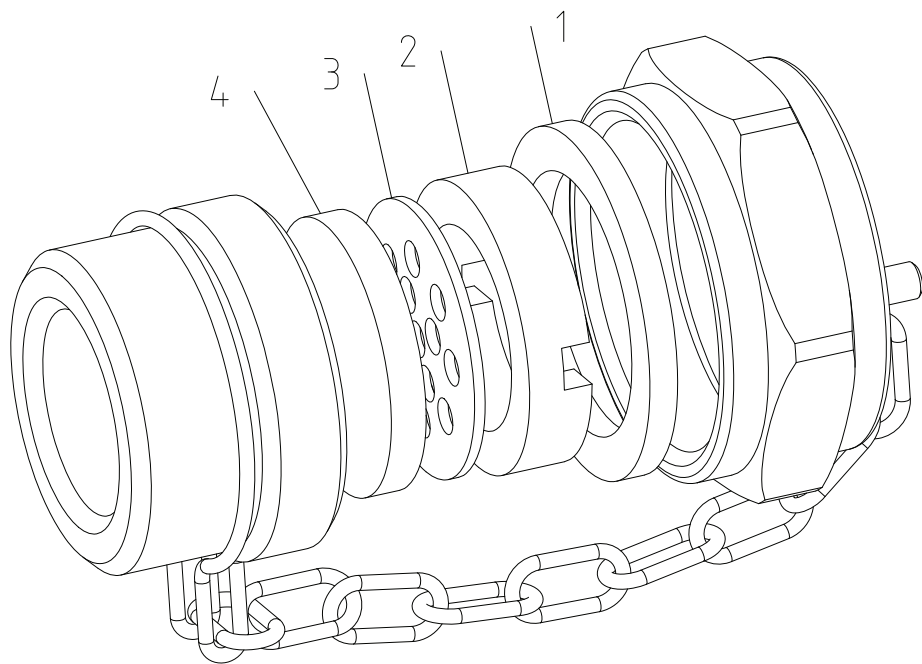


ESE03138-EN2 2021-08

Original manual

The information herein is correct at the time of issue but may be subject to change without prior notice

1. SB Micro Sampling Port, Type M 4



SB Micro Sampling Port, Type M

Pos	Qty	Denomination	
1	1	Gasket, NBR	9680122969
2	1	Treaded nipple	9615139201
3	1	Perforated disc	9615139101
4	1	Membrane, NBR 10 PCS	9614446501

How to contact Alfa Laval

Contact details for all countries are continually updated on our website.

Please visit www.alfalaval.com to access the information directly.

© Alfa Laval Corporate AB

This document and its contents is owned by Alfa Laval Corporate AB and protected by laws governing intellectual property and thereto related rights. It is the responsibility of the user of this document to comply with all applicable intellectual property laws. Without limiting any rights related to this document, no part of this document may be copied, reproduced or transmitted in any form or by any means (electronic, mechanical, photocopying, recording, or otherwise), or for any purpose, without the expressed permission of Alfa Laval Corporate AB. Alfa Laval Corporate AB will enforce its rights related to this document to the fullest extent of the law, including the seeking of criminal prosecution.