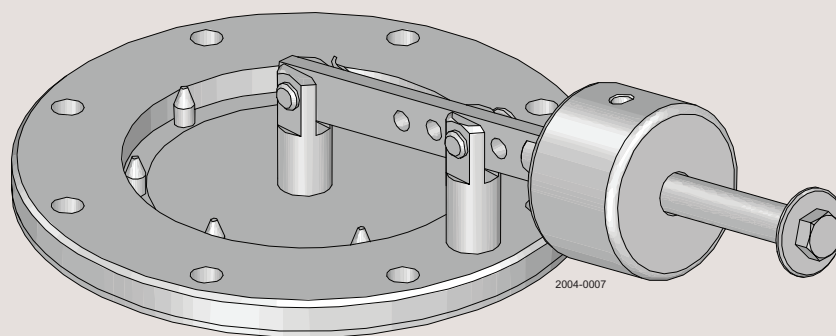




Spare Parts

Alfa Laval SB Anti Vacuum Valve



ESE02895-EN5

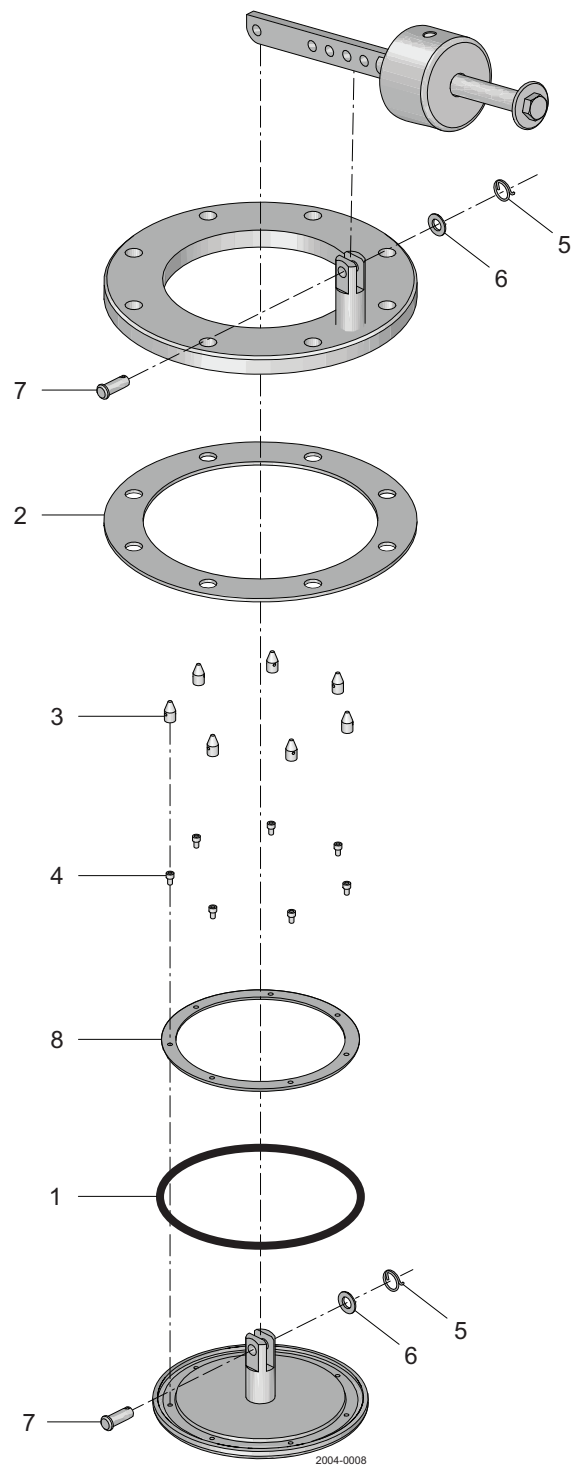
2020-11

Original manual

Table of contents

The information herein is correct at the time of issue but may be subject to change without prior notice

1. SB Anti Vacuum Valve, Ø100 to Ø400	4
2. Force opener	6



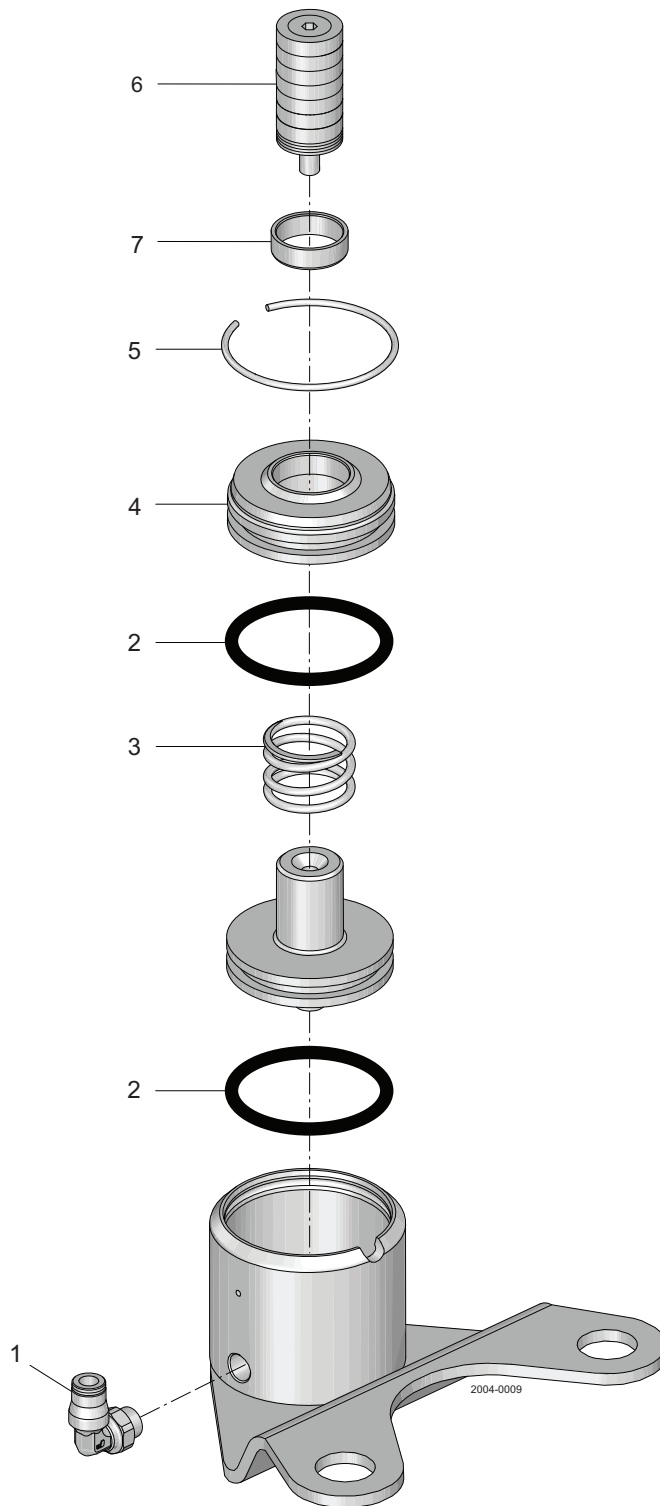
SB Anti Vacuum Valve, Ø100 to Ø400

Pos	Qty	Denomination	Ø100	Ø150	Ø200	Ø250	Ø300	Ø400
1	1	O-ring, NBR	9611996053	9611996052	9611996051	9611996050	9611995996	9611995997
2	1	Gasket, EPDM	9615087201	9615087301	9615087401	9615087501	9615087601	9615087701
3	□	8 Control pin, PTFE						
4	□	8 Screw						
5	◆	2 Locking ring						
6	◆	2 Washer						
7	◆	2 Bearing tap						

Assembly kits for Ø100 to Ø400

□	Assembly kit, AVV	9615145807
◆	Assembly kit, AVV	9615145808

Parts marked with □◆ are included in the assembly kits.



Force opener

Pos	Qty	Denomination	Ø100 to Ø400
1	1	Air fitting	9611991988
2	2	O-ring, NBR	9611995509
3	1	Spring	
4	1	Force opener cover	
5	1	Locking ring	
6	1	Spacer kit	
7		Bushing	

Assembly kits for Ø100 to Ø400

○	Assembly kit, force opener	9615146201
---	----------------------------------	------------

Parts marked with ○ are included in the assembly kits.

How to contact Alfa Laval

Contact details for all countries are continually updated on our website.

Please visit www.alfalaval.com to access the information directly.

© Alfa Laval Corporate AB

This document and its contents is owned by Alfa Laval Corporate AB and protected by laws governing intellectual property and thereto related rights. It is the responsibility of the user of this document to comply with all applicable intellectual property laws. Without limiting any rights related to this document, no part of this document may be copied, reproduced or transmitted in any form or by any means (electronic, mechanical, photocopying, recording, or otherwise), or for any purpose, without the expressed permission of Alfa Laval Corporate AB. Alfa Laval Corporate AB will enforce its rights related to this document to the fullest extent of the law, including the seeking of criminal prosecution.