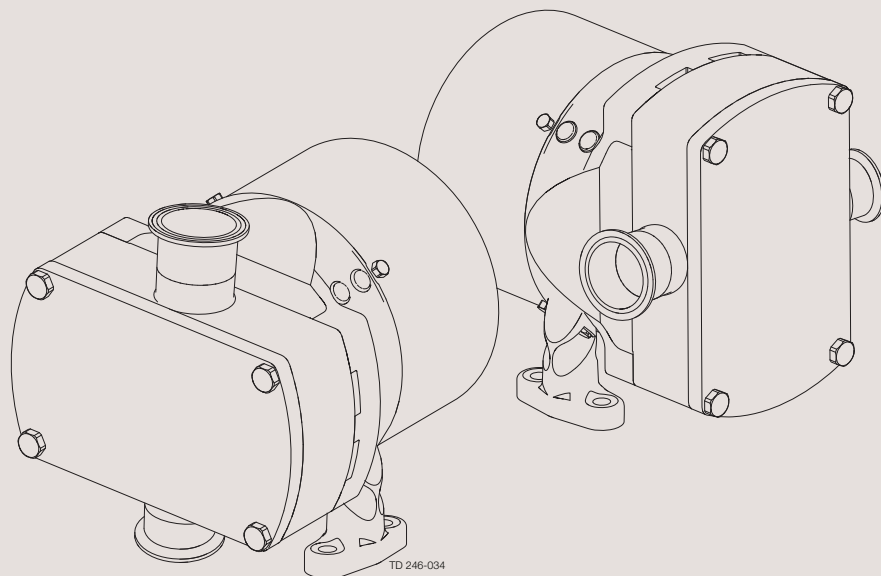




Spare Parts

Rotary Lobe Pumps - OptiLobe Range



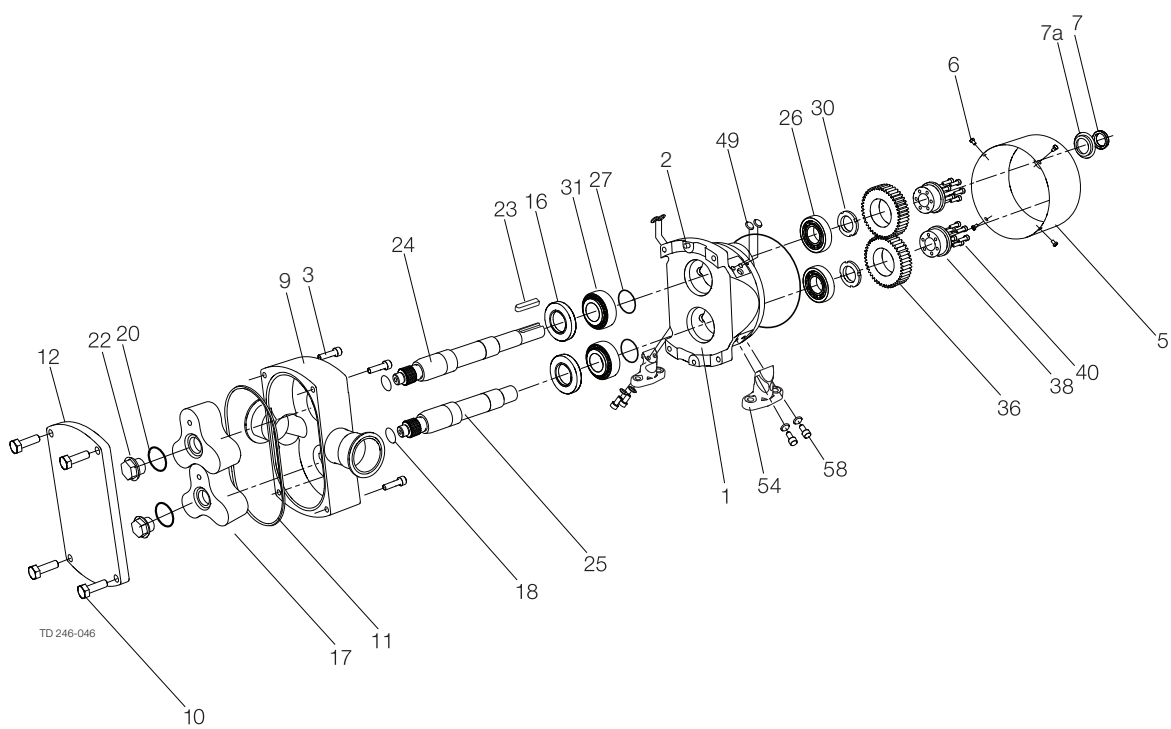
100000966-EN7 2020-10

Original manual

Table of contents

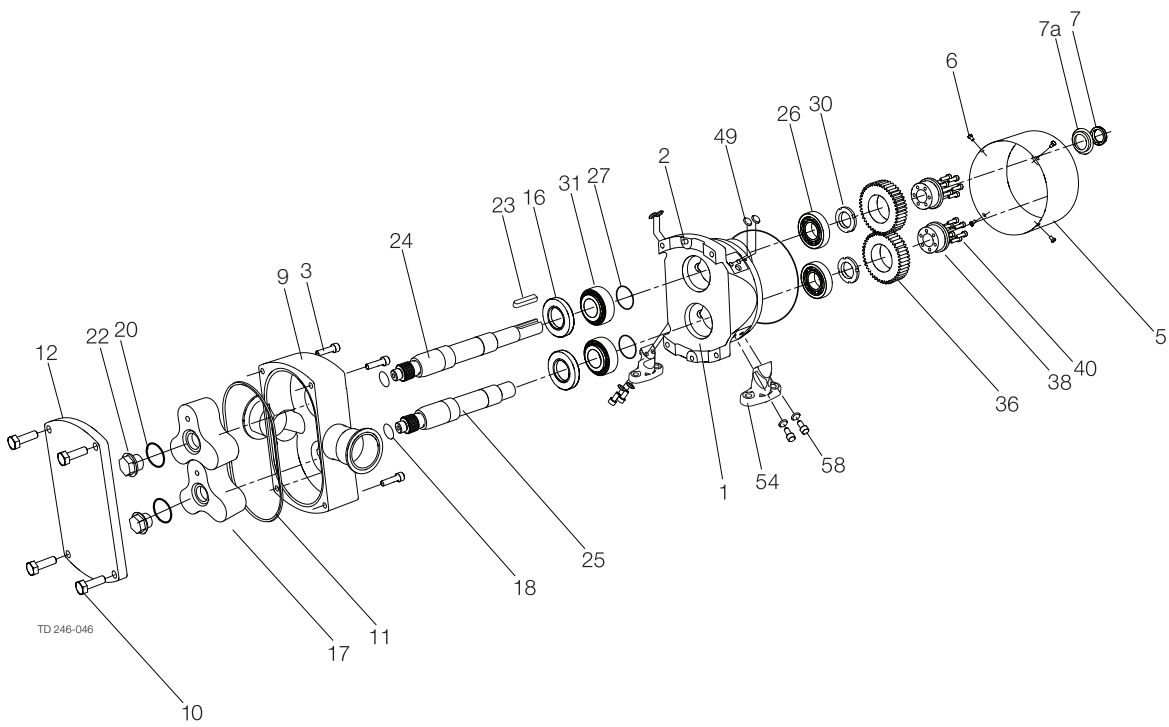
The information herein is correct at the time of issue but may be subject to change without prior notice

1. OptiLobe 12 / 13 Pump	4
2. OptiLobe 22 / 23 Pump	6
3. OptiLobe 32 / 33 Pump	8
4. OptiLobe 42 / 43 Pump	10
5. OptiLobe 52 / 53 Pump	12
6. Pump Exploded View Drawing	14
7. Service Kits - Optilobe 12 / 13 Pump	16
8. Service Kits - Optilobe 22 / 23 Pump	18
9. Service Kits - Optilobe 32 / 33 Pump	20
10. Service Kits - Optilobe 42 / 43 Pump	22
11. Service Kits - Optilobe 52 / 53 Pump	24
12. EasyFit Single Mechanical Seal	26
13. EasyFit Single Flushed Mechanical Seal	28



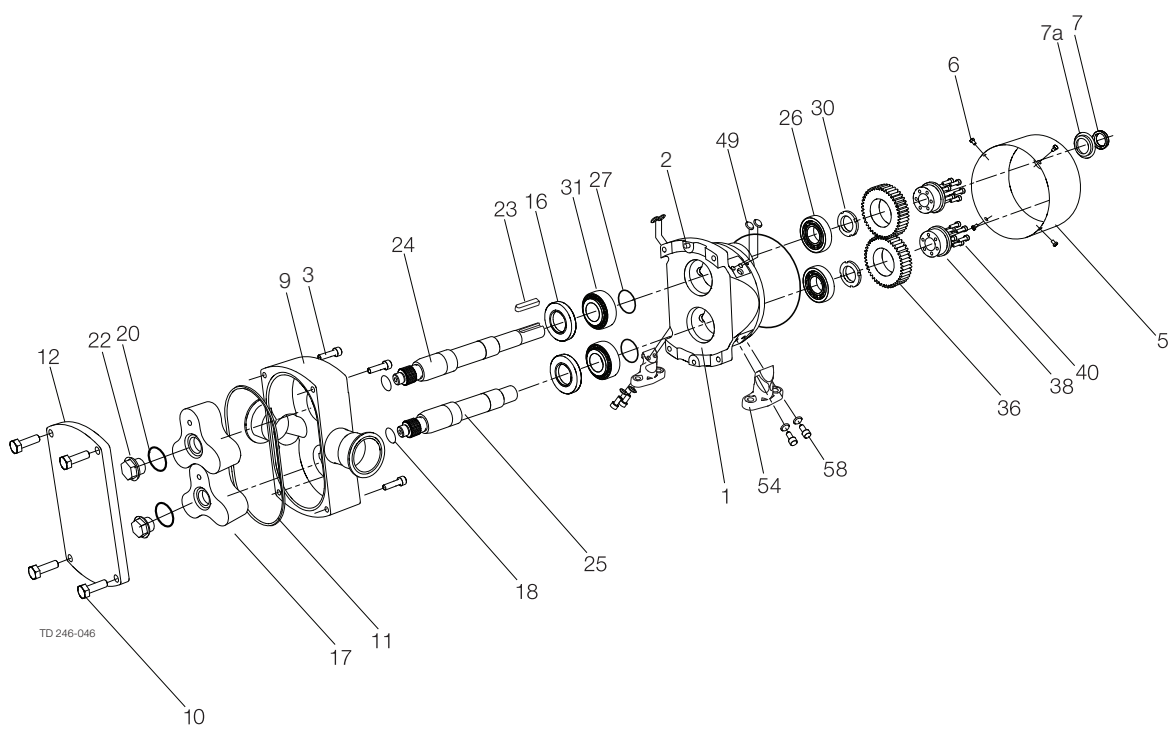
Pos	Qty	Denomination	Article No. OptiLobe 12	Ref. Part No. OptiLobe 12	Article No. OptiLobe 13	Ref. Part No. OptiLobe 13
1	1	Bearing housing	9630636001	9630636001	9630636001	9630636001
2	2	Dowel	9630030093	5170.025	9630030093	5170.025
3	4	Screw, rotorcase retention	9630024635	5990.034	9630024635	5990.034
5	1	Canister	9630637001	9630637001	9630637001	9630637001
6	4	Screw, canister screw	9630863216	5950.091	9630863216	5950.091
	4	Washer, canister screw	9630038040	31499.5962.2	9630038040	31499.5962.2
7	1	Lip seal, drive end	9630030621	5310.047	9630030621	5310.047
7a	1	Carrier, lip seal	9630633001	9630633001	9630633001	9630633001
9	1	Rotorcase, IDF	9630623001	9630623001	9630623101	9630623101
	1	Rotorcase, Tri-Clamp	9630623002	9630623002	9630623102	9630623102
	1	Rotorcase, SMS	9630623003	9630623003	9630623103	9630623103
	1	Rotorcase, DIN 11851	9630623004	9630623004	9630623104	9630623104
	1	Rotorcase, RJT	9630623005	9630623005	9630623105	9630623105
10	1	Screw, rotorcase cover	9630652769	5950.115	9630652769	5950.115
11	▲▲	O-ring, cover EPDM	9630037180	1555.244	9630037180	1555.244
	▲▲	O-ring, cover FPM	9630037183	1551.244	9630037183	1551.244
12	1	Cover, rotorcase	9630639501	9630639501	9630639501	9630639501
	1	Cover, Rotorcase Without Heating Pipes	9630639502	9630639502	9630639502	9630639502
16	1	Lip seal, gland end, NBR	9630644501	9630644501	9630644501	9630644501
17	2	Rotor, Trilobe Stainless Steel 8 bar, 130°C	9630630001	9630630001	9630630101	9630630101
18	▲▲	O-ring, rotor sealing shaft end, EPDM	9630671081	1555.014	9630671081	1555.014
	▲▲	O-ring, rotor sealing shaft end, FPM	9630043563	1551.014	9630043563	1551.014
20	▲▲	O-ring, rotor sealing nut end, EPDM	9630025563	1555.116	9630025563	1555.116
	▲▲	O-ring, rotor sealing nut end, FPM	9630038157	1551.116	9630038157	1551.116
21	1	O-ring, canister, NBR	9630032237	5380.294	9630032237	5380.294
22	2	Nut, rotor retention	9630641001	9630641101	9630641101	9630641101
23	1	Key	9630031498	5270.030	9630031498	5270.030
24	1	Shaft, drive	9630638501	9630638501	9630638501	9630638501
25	1	Shaft, auxiliary	9630639001	9630639001	9630639001	9630639001
26	2	Bearing, rear	9630098863	5080.038	9630098863	5080.038
27	2	Shim, shaft abutment, 0.050	9630642515	9630642515	9630642505	9630642505
	2	Shim, shaft abutment, 0.075	9630642517	9630642517	9630642517	9630642517
	2	Shim, shaft abutment, 0.100	9630642520	9630642520	9630642520	9630642520
30	2	Nut, bearing	9630029135	5340.040	9630029135	5340.040
31	2	Bearing, front	9630098862	5080.037	9630098862	5080.037
36	2	Timing gear	9630640001	9630640001	9630640001	9630640001
38	2	Torque locking assembly	9630640501	9630640501	9630640501	9630640501
45	2	Drain plug	9630023544	1660.002	9630023544	1660.002
	4	Washer	9630864986	6400.127	9630864986	6400.127
49	1	O-ring, canister NBR	9630032237	5380.294	9630032237	5380.294
50	2	Gland guard	9630642001	9630642001	9630642001	9630642001
51	4	Screw, gland guard	9630863216	5950.091	9630863216	5950.091
53	4	Washer, gland guard	9630864986	6400.127	9630864986	6400.127
54	2	Foot	9630638001	9630638001	9630638001	9630638001
58	4	Screw, Foot	9630024603	5990.012	9630024603	5990.012
	6	Plugs	9630652310	5470.033	9630652310	5470.033
	8	Plugs	9630652311	5470.034	9630652311	5470.034
102	□●	Rotary Seal O-ring, EPDM	9630023528	1555.122	9630023528	1555.122
	□●	Rotary Seal O-ring, FPM	9630023413	1551.122	9630023413	1551.122
103	□●	L' Cup Seal, EPDM	9630671103	5384.005	9630671103	5384.005
	□●	L' Cup Seal, FPM	9630671104	5384.001	9630671104	5384.001
105	□●	Rotary Seal Ring, Carbon	9630671099	R5610.200	9630671099	R5610.200
	□●	Rotary Seal Ring, Silicon Carbide	9630671100	R5610.210	9630671100	R5610.210
107	□●	Stationary Seal Ring, Stainless Steel	9630671101	R5630.200	9630671101	R5630.200
	□●	Stationary Seal Ring, Silicon Carbide	9630671102	R5630.210	9630671102	R5630.210
12	1	Heating Pipe	9630647001	9630647001	9630647001	9630647001
	1	Elbow	9630674621	5192.329	9630674621	5192.329
	1	Heating Pipe Assembly	9630648001	9630648001	9630648001	9630648001
	1	Cover, Rotorcase With Heating Pipes	9630647501	9630647501	9630647501	9630647501

(900723/1)



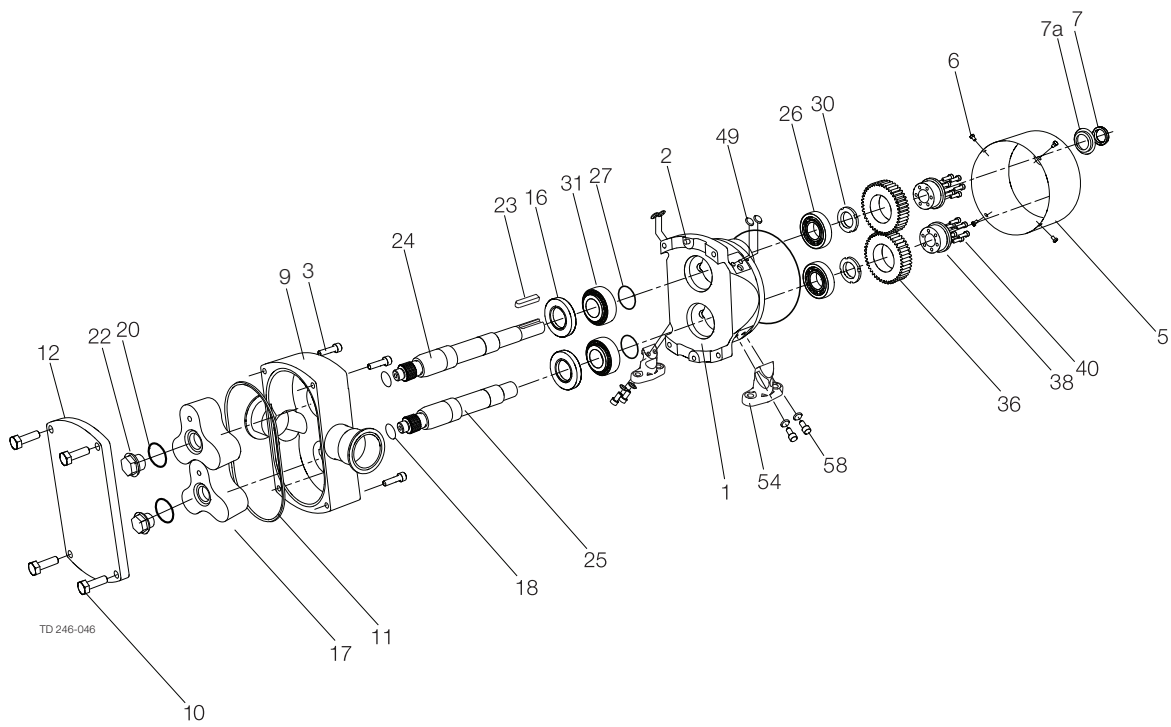
Pos	Qty	Denomination	Article No. OptiLobe 22	Ref. Part No. OptiLobe 22	Article No. OptiLobe 23	Ref. Part No. OptiLobe 23
1	1	Bearing housing	9630636101	9630636101	9630636101	9630636101
2	2	Dowel	9630030093	5170025	9630030093	5170025
3	4	Screw, rotorcase retention	9630037029	31499.5201.1	9630037029	31499.5201.1
5	1	Canister	9630637101	9630637101	9630637101	9630637101
6	4	Washer, canister screw	9630863216	5950.091	9630863216	5950.091
	4	Washer, canister screw	9630038040	31499.5962.2	9630038040	31499.5962.2
7	1	Lip seal,, drive end	9630644507	9630644507	9630644507	9630644507
7A	1	Carrier, lip seal	9630633201	9630633201	9630633201	9630633201
9	1	Rotorcase, IDF	9630623201	9630623201	9630623301	9630623301
	1	Rotorcase, Tri-Clamp	9630623202	9630623202	9630623302	9630623302
	1	Rotorcase, SMS	9630623203	9630623203	9630623303	9630623303
	1	Rotorcase, DIN 11851	9630623204	9630623204	9630623304	9630623304
	1	Rotorcase, RJT	9630623205	9630623205	9630623305	9630623305
10	4	Screw, rotorcase cover	9630024554	5950.027	9630024554	5950.027
11	▲●	O-ring, cover EPDM	9630044928	1555.255	9630044928	1555.255
	▲●	O-ring, cover FPM	9630044927	1551.255	9630044927	1551.255
12	1	Cover, rotorcase	9630639601	9630639601	9630639601	9630639601
	1	Cover, Rotorcase with Heating	9630639602	9630639602	9630639602	9630639602
16	2	Lip seal, gland end, NBR	9630644502	9630644502	9630644502	9630644502
17	2	Rotor, Trilobe Stainless Steel 8 bar, 130°C	9630630201	9630630201	9630630301	9630630301
18	▲●	O-ring, rotor sealing shaft end, EPDM	9630863409	1555.115	9630863409	1555.115
	▲●	O-ring, rotor sealing shaft end, FPM	9630023407	1551.115	9630023407	1551.115
20	▲●	O-ring, rotor sealing nut end, EPDM	9630861548	1555.218	9630861548	1555.218
	▲●	O-ring, rotor sealing nut end, FPM	9630019388	1551.218	9630019388	1551.218
21	1	O-ring, canister, NBR	9630039204	1550.255	9630039204	1550.255
22	2	Nut, rotor retention	9630641401	9630641401	9630641501	9630641501
23	1	Key	9630023916	5270.007	9630023916	5270.007
24	1	Shaft, drive	9630638601	9630638601	9630638601	9630638601
25	1	Shaft, auxiliary	9630639101	9630639101	9630639101	9630639101
26	2	Bearing, rear	9630861678	5080.027	9630861678	5080.027
27	2	Shim, shaft abutment, 0.050	9630642525	9630642525	9630642525	9630642525
	2	Shim, shaft abutment, 0.075	9630642527	9630642527	9630642527	9630642527
	2	Shim, shaft abutment, 0.100	9630642530	9630642530	9630642530	9630642530
30	2	Nut, bearing	9630056683	5340.055	9630056683	5340.055
31	2	Bearing, front	9630861679	5080.028	9630861679	5080.028
36	2	Timing gear	9630640101	9630640101	9630640101	9630640101
38	2	Torque locking assembly	9630640601	9630640601	9630640601	9630640601
45	2	Drain plug	9630023544	1660.002	9630023544	1660.002
	4	Washer	9630864986	6400.127	9630864986	6400.127
49	1	O-ring, canister NBR	9630039204	1550.255	9630039204	1550.255
50	2	Gland guard	9630642101	9630642101	9630642102	9630642102
51	4	Screw, gland guard	9630865138	5950.093	9630865138	5950.093
53	4	Washer, gland guard	9630864986	6400.127	9630864986	6400.127
54	2	Foot	9630638101	9630638101	9630638101	9630638101
58	4	Screw, Foot	9630028936	5990.066	9630028936	5990.066
	2	Blanking plug	9630652310	5470.033	9630652310	5470.033
	12	Blanking plug	9630652311	5470.034	9630652311	5470.034
102	□●	Rotary Seal O-ring, EPDM	9630863266	5380.828	9630863266	5380.828
	□●	Rotary Seal O-ring, FPM	9630863265	5380.827	9630863265	5380.827
103	□●	L' Cup Seal, EPDM	9630863279	5384.105	9630863279	5384.105
	□●	L' Cup Seal, FPM	9630863278	5384.101	9630863278	5384.101
105	□●	Rotary Seal Ring, Carbon	9630863289	R5610.201	9630863289	R5610.201
	□●	Rotary Seal Ring, Silicon Carbide	9630863294	R5610.211	9630863294	R5610.211
107	□●	Stationary Seal Ring, Stainless Steel	9630863295	R5630.201	9630863295	R5630.201
	□●	Stationary Seal Ring, Silicon Carbide	9630863298	R5630.211	9630863298	R5630.211
12	1	Heating Pipe	9630647101	9630647101	9630647101	9630647101
	1	Elbow	9630674621	5192.329	9630674621	5192.329
	1	Heating Pipe Assembly	9630648101	9630648101	9630648101	9630648101
	1	Cover, Rotorcase With Heating Pipes	9630647601	9630647601	9630647601	9630647601

(900724/2)



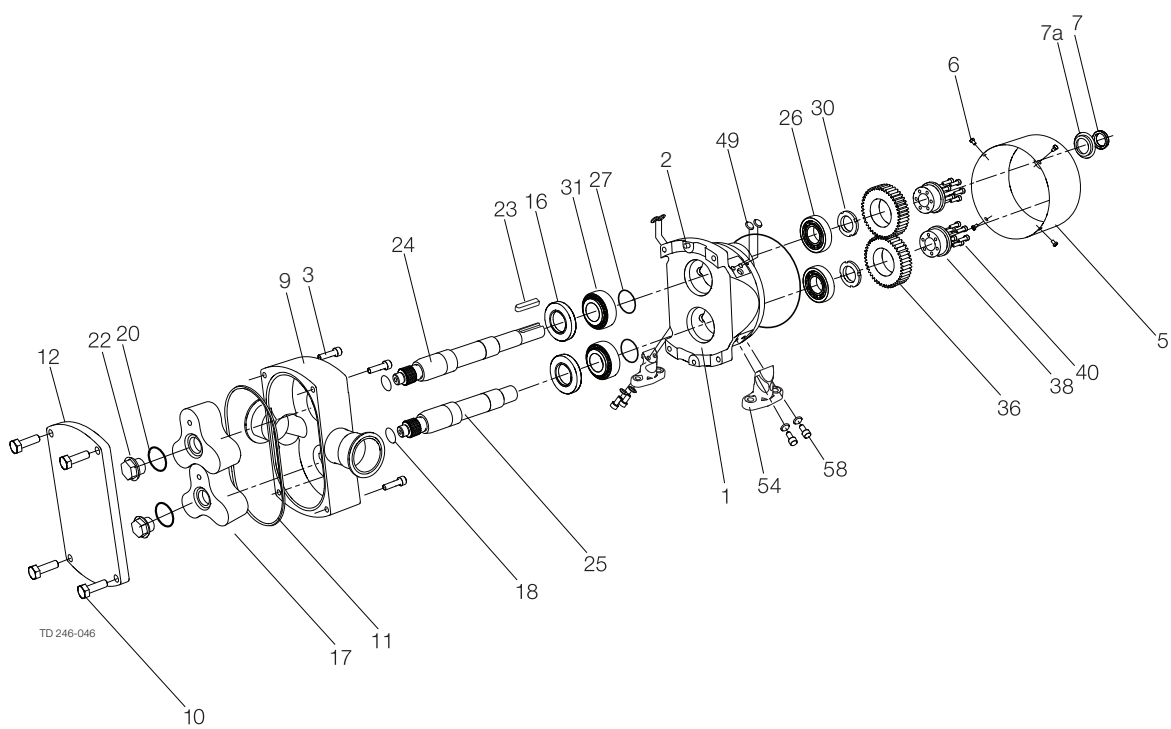
Pos	Qty	Denomination	Article No. OptiLobe 32	Ref. Part No. OptiLobe 32	Article No. OptiLobe 33	Ref. Part No. OptiLobe 33
1	1	Bearing housing	9630636201	9630636201	9630636201	9630636201
2	2	Dowel	9630030093	5170.025	9630030093	5170.025
3	4	Screw, rotorcase retention	9630037029	31499.5201.1	9630037029	31499.5201.1
5	1	Canister	9630637201	9630637201	9630637201	9630637201
6	4	Screw, canister retention	9630863216	5950.091	9630863216	5950.091
	4	Washer, canister screw	9630038040	31499.5962.2	9630038040	31499.5962.2
7	1	Lip seal, drive end	9630030622	5310.037	9630030622	5310.037
7A	1	Carrier, lip seal	9630633201	9630633201	9630633201	9630633201
9	1	Rotorcase, IDF	9630623401	9630623401	9630623501	9630623501
	1	Rotorcase, Tri-Clamp	9630623402	9630623402	9630623502	9630623502
	1	Rotorcase, SMS	9630623403	9630623403	9630623503	9630623503
	1	Rotorcase, DIN 11851	9630623404	9630623404	9630623504	9630623504
	1	Rotorcase, RJT	9630623405	9630623405	9630623505	9630623505
10	4	Screw, rotorcase cover	9630024554	5950.027	9630024554	5950.027
11	▲▲	O-ring - cover, EPDM	9630065133	1555.262	9630065133	1555.262
	▲▲	O-ring - cover, FPM	9630865829	1551.262	9630865829	1551.262
12	1	Cover, rotorcase	9630639701	9630639701	9630639701	9630639701
	1	Cover, Rotorcase with Heating	9630639702	9630639702	9630639702	9630639702
16	2	Lip seal, gland end, NBR	9630644503	9630644503	9630644503	9630644503
17	2	Rotor, Trilobe Stainless Steel, 8 bar, 130°C	9630630401	9630630401	9630630501	9630630501
18	▲▲	O-ring, rotor sealing shaft end, EPDM	9630861549	5380.805	9630861549	5380.805
	▲▲	O-ring, rotor sealing shaft end, FPM	9630038157	1551.117	9630038157	1551.117
20	▲▲	O-ring, rotor sealing nut end, FPM	9630861548	1555.218	9630861548	1555.218
	2	O-ring, rotor sealing nut end, EPDM	9630019388	1551.218	9630019388	1551.218
21	1	O-ring, canister, NBR	9630880191	1550.261	9630880191	1550.261
22	2	Nut, rotor retention, 32	9630641401	9630641401	9630641501	9630641501
23	1	Key	9630031499	5270.031	9630031499	5270.031
24	1	Shaft, drive	9630638701	9630638701	9630638701	9630638701
25	1	Shaft, auxiliary	9630639201	9630639201	9630639201	9630639201
26	2	Bearing, rear	9630862428	5080.029	9630862428	5080.029
27	2	Shim, shaft abutment, 0.050	9630642535	9630642535	9630642535	9630642535
	2	Shim, shaft abutment, 0.075	9630642537	9630642537	9630642537	9630642537
	2	Shim, shaft abutment, 0.100	9630642540	9630642540	9630642540	9630642540
30	2	Nut, bearing	9630029136	5340.041	9630029136	5340.041
31	2	Bearing, front	9630862429	5080.030	9630862429	5080.030
36	2	Timing gear	9630640201	9630640201	9630640201	9630640201
38	2	Torque locking assembly	9630640701	9630640701	9630640701	9630640701
45	2	Drain plug	9630023544	1660.002	9630023544	1660.002
	2	Washer	9630864986	6400.127	9630864986	6400.127
49	1	O-ring, canister NBR	9630880191	1550.261	9630880191	1550.261
50	2	Gland guard	9630642201	9630642201	9630642202	9630642202
51	4	Screw, gland guard	9630865138	5950.093	9630865138	5950.093
53	4	Washer, gland guard	9630864986	6400.127	9630864986	6400.127
54	2	Foot	9630638201	9630638201	9630638201	9630638201
58	4	Screw, Foot	9630028936	5990.066	9630028936	5990.066
	2	Plug	9630652310	5470.033	9630652310	5470.033
	12	Plug	9630652311	5470.034	9630652311	5470.034
102	□●	Rotary Seal O-ring, EPDM	9630863270	5380.832	9630863270	5380.832
	□●	Rotary Seal O-ring, FPM	9630863269	5380.831	9630863269	5380.831
103	□●	L' Cup Seal, EPDM	9630863283	5384.205	9630863283	5384.205
	□●	L' Cup Seal, FPM	9630863282	5384.201	9630863282	5384.201
105	□●	Rotary Seal Ring, Carbon	9630863290	R5610.202	9630863290	R5610.202
	□●	Rotary Seal Ring, Silicon Carbide	9630863293	R5610.212	9630863293	R5610.212
107	□●	Stationary Seal Ring, Stainless Steel	9630863296	R5630.202	9630863296	R5630.202
	□●	Stationary Seal Ring, Silicon Carbide	9630863299	R5630.212	9630863299	R5630.212
12	1	Heating Pipe	9630647201	9630647201	9630647201	9630647201
	1	Elbow	9630674621	5192.329	9630674621	5192.329
	1	Heating Pipe Assembly	9630648201	9630648201	9630648201	9630648201
	1	Cover, Rotorcase With Heating Pipes	9630647701	9630647701	9630647701	9630647701

(900725/2)



Pos	Qty	Denomination	Article No. OptiLobe 42	Ref. Part No. OptiLobe 42	Article No. OptiLobe 43	Ref. Part No. OptiLobe 43
1	1	Bearing housing	9630636301	9630636301	9630636301	9630636301
2	2	Dowel	9630030093	5170.025	9630030093	5170.025
3	4	Screw, rotorcase retention	9630027137	5990.038	9630027137	5990.038
5	1	Canister	9630637301	9630637301	9630637301	9630637301
6	4	Screw, canister retention	9630863216	5950.091	9630863216	5950.091
	4	Washer, canister screw	9630038040	31499.5962.2	9630038040	31499.5962.2
7	1	Lip seal, drive end	9630644509	9630644509	9630644509	9630644509
7A	1	Carrier, lip seal	9630633301	9630633301	9630633301	9630633301
9	1	Rotorcase, IDF	9630623601	9630623601	9630623701	9630623701
	1	Rotorcase, Tri-Clamp	9630623602	9630623602	9630623702	9630623702
	1	Rotorcase, SMS	9630623603	9630623603	9630623703	9630623703
	1	Rotorcase, DIN 11851	9630623604	9630623604	9630623704	9630623704
	1	Rotorcase, RJT	9630623605	9630623605	9630623705	9630623705
10	4	Screw, rotorcase cover	9630024554	5950.027	9630024554	5950.027
11	▲▲	O-ring - cover, EPDM	9630019861	1555.267	9630019861	1555.267
	▲▲	O-ring - cover, FPM	9630026117	1551.267	9630026117	1551.267
12	1	Cover, rotorcase	9630639801	9630639801	9630639801	9630639801
	1	Cover, Rotorcase with Heating	9630639802	9630639802	9630639802	9630639802
16	2	Lip seal, gland end, NBR	9630644504	9630644504	9630644504	9630644504
17	2	Rotor, Trilobe Stainless Steel, 8 bar, 130°C	9630630601	9630630601	9630630701	9630630701
18	▲▲	O-ring, rotor sealing shaft end, EPDM	9630037138	1555.123	9630037138	1555.123
	▲▲	O-ring, rotor sealing shaft end, FPM	9630037140	1551.123	9630037140	1551.123
20	▲▲	O-ring, rotor sealing nut end, EPDM	9630028321	5380.234	9630028321	5380.234
	▲▲	O-ring, rotor sealing nut end, FPM	9630028357	5380.232	9630028357	5380.232
21	1	O-ring, canister, NBR	9630880214	5380.844	9630880214	5380.844
22	2	Nut, rotor retention	9630641601	9630641701		
23	1	Key	9630031499	5270.031	9630031499	5270.031
24	1	Shaft, drive	9630638801	9630638801	9630638801	9630638801
25	1	Shaft, auxiliary	9630639301	9630639301	9630639301	9630639301
26	2	Bearing, rear	9630862089	5080.032	9630862089	5080.032
27	2	Shim, shaft abutment, 0.050	9630642545	9630642545	9630642545	9630642545
	2	Shim, shaft abutment, 0.075	9630642547	9630642547	9630642547	9630642547
	2	Shim, shaft abutment, 0.100	9630642550	9630642550	9630642550	9630642550
30	2	Nut, bearing	9630056684	5340.056	9630056684	5340.056
31	2	Bearing, front	9630862088	5080.031	9630862088	5080.031
36	2	Timing gear	9630640301	9630640301	9630640301	9630640301
38	2	Torque locking assembly	9630640801	9630640801	9630640801	9630640801
45	2	Drain plug	9630023544	1660.002	9630023544	1660.002
	4	Washer	9630864986	6400.127	9630864986	6400.127
49	1	O-ring, canister NBR	9630880214	5380.844	9630880214	5380.844
50	2	Gland guard	9630642301	9630642301	9630642302	9630642302
51	4	Screw, gland guard	9630865138	5950.093	9630865138	5950.093
53	4	Washer, gland guard	9630864986	6400.127	9630864986	6400.127
54	2	Foot	9630638301	9630638301	9630638301	9630638301
58	4	Screw, Foot	9630024635	5990.034	9630024635	5990.034
	4	Plug	9630652310	5470.033	9630652310	5470.033
	2	Plug	9630652311	5470.034	9630652311	5470.034
	2	Plug	9630652312	5470.035	9630652312	5470.035
102	□●	Rotary Seal O-ring, EPDM	9630863275	5380.836	9630863275	5380.836
	□●	Rotary Seal O-ring, FPM	9630863273	5380.835	9630863273	5380.835
103	□●	L' Cup Seal, EPDM	9630863287	5384.305	9630863287	5384.305
	□●	L' Cup Seal, FPM	9630863286	5384.301	9630863286	5384.301
105	□●	Rotary Seal Ring, Carbon	9630863291	R5610.203	9630863291	R5610.203
	□●	Rotary Seal Ring, Silicon Carbide	9630863292	R5610.213	9630863292	R5610.213
107	□●	Stationary Seal Ring, Stainless Steel	9630863297	R5630.203	9630863297	R5630.203
	□●	Stationary Seal Ring, Silicon Carbide	9630863300	R5630.213	9630863300	R5630.213
12	1	Heating Pipe	9630647301	9630647301	9630647301	9630647301
	1	Elbow	9630674622	5192.330	9630674622	5192.330
	1	Heating Pipe Assembly	9630648301	9630648301	9630648301	9630648301
	1	Cover, Rotorcase With Heating Pipes	9630647801	9630647801	9630647801	9630647801

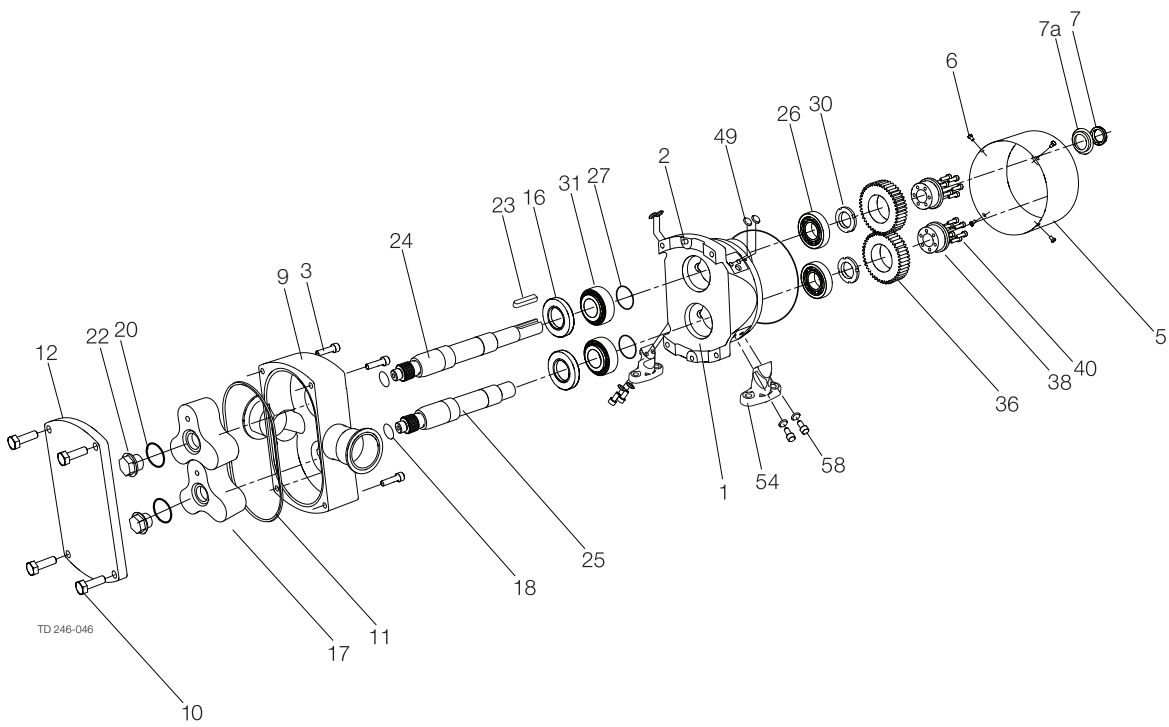
(900726/1)



Pos	Qty	Denomination	Article No. OptiLobe 52	Ref. Part No. OptiLobe 52	Article No. OptiLobe 53	Ref. Part No. OptiLobe 53
1	1	Bearing housing	9630636401	9630636401	9630636401	9630636401
2	2	Dowel	9630030093	5170.025	9630030093	5170.025
3	4	Screw, rotorcase retention	9630671882	5990.093	9630671882	5990.093
5	1	Canister	9630637401	9630637401	9630637401	9630637401
6	4	Screw, canister retention	9630671881	5990.092	9630671881	5990.092
	8	Washer, canister screw	9630042149	6400.053	9630042149	6400.053
	4	Washer, canister screw	9630038040	31499.5962.2	9630038040	31499.5962.2
	4	Washer, canister screw	9630042149	6400.053	9630042149	6400.053
	4	Washer, canister screw	9630030121	6400.046	9630030121	6400.046
7	1	Lip seal, drive end	9630644510	9630644510	9630644510	9630644510
7A	1	Carrier, lip seal	9630633401	9630633401	9630633401	9630633401
9	1	Rotorcase, IDF	9630623801	9630623801	9630623901	9630623901
	1	Rotorcase, Tri-Clamp	9630623802	9630623802	9630623902	9630623902
	1	Rotorcase, SMS	9630623803	9630623803	9630623903	9630623903
	1	Rotorcase, DIN 11851	9630623804	9630623804	9630623904	9630623904
	1	Rotorcase, RJT	9630623805	9630623805	9630623905	9630623905
10	4	Screw, rotorcase cover	9630024567	5950.038	9630024567	5950.038
11	▲●	O-ring - cover, EPDM	9630027380	1555.274	9630027380	1555.274
	▲●	O-ring - cover, FPM	9630028410	1551.274	9630028410	1551.274
12	1	Cover, rotorcase	9630639901	9630639901	9630639901	9630639901
	1	Rotorcase, with Heating	9630639902	9630639902	9630639902	9630639902
16	2	Lip seal, gland end, NBR	9630644505	9630644505	9630644505	9630644505
17	2	Rotor, Trilobe Stainless Steel 8 bar, 130°C	9630630801	9630630801	9630630901	9630630901
18	▲●	O-ring, rotor sealing shaft end, EPDM	9630039199	1555.128	9630039199	1555.128
	▲●	O-ring, rotor sealing shaft end, FPM	9630039198	1551.128	9630039198	1551.128
20	▲●	O-ring, rotor sealing nut end, EPDM	9630671547	1555.225	9630671547	1555.225
	▲●	O-ring, rotor sealing nut end, FPM	9630023438	1551.225	9630023438	1551.225
21	1	O-ring, canister, NBR	9630671817	1550.378	9630671817	1550.378
22	2	Nut, rotor retention	9630641801	9630641801	9630641901	9630641901
23	1	Key	9630023940	5270.013	9630023940	5270.013
24	1	Shaft, drive	9630638901	9630638901	9630638901	9630638901
25	1	Shaft, auxiliary	9630639401	9630639401	9630639401	9630639401
26	2	Bearing, rear	9630671230	5080.040	9630671230	5080.040
27	2	Shim, shaft abutment, 0.050	9630642555	9630642555	9630642555	9630642555
	2	Shim, shaft abutment, 0.075	9630642557	9630642557	9630642557	9630642557
	2	Shim, shaft abutment, 0.100	9630642560	9630642560	9630642560	9630642560
30	2	Nut, bearing	9630671231	5340.068	9630671231	5340.068
31	2	Bearing, front	9630671229	5080.039	9630671229	5080.039
36	2	Timing gear	9630640401	9630640401	9630640401	9630640401
38	2	Torque locking assembly	9630640901	9630640901	9630640901	9630640901
45	2	Drain plug	9630023544	1660.002	9630023544	1660.002
	4	Washer	9630864986	6400.127	9630864986	6400.127
49	1	O-ring, canister NBR	9630671817	1550.378	9630671817	1550.378
50	2	Gland guard	9630642401	9630642401	9630642402	9630642402
51	4	Screw, gland guard	9630865138	5950.093	9630865138	5950.093
53	4	Washer, gland guard	9630864986	6400.127	9630864986	6400.127
54	2	Foot	9630638401	9630638401	9630638401	9630638401
58	4	Screw, Foot	9630671881	5990.092	9630671881	5990.092
	6	Plugs	9630652310	5470.033	9630652310	5470.033
	12	Plugs	9630678031	5470.038	9630678031	5470.038
102	□●	Rotary Seal O-ring, EPDM	9630042801	31497.5001.5	9630042801	31497.5001.5
	□●	Rotary Seal O-ring, FPM	9630042800	31497.5001.2	9630042800	31497.5001.2
103	□●	L' Cup Seal, EPDM	9630671117	5384.405	9630671117	5384.405
	□●	L' Cup Seal, FPM	9630671118	5384.401	9630671118	5384.401
105	□●	Rotary Seal Ring, Carbon	9630671113	R5610.204	9630671113	R5610.204
	□●	Rotary Seal Ring, Silicon Carbide	9630671114	R5610.214	9630671114	R5610.214
107	□●	Stationary Seal Ring, Stainless Steel	9630671115	R5630.204	9630671115	R5630.204
	□●	Stationary Seal Ring, Silicon Carbide	9630671116	R5630.214	9630671116	R5630.214
12	1	Heating Pipe	9630647401	9630647401	9630647401	9630647401
	1	Elbow	9630674622	5192.330	9630674622	5192.330
	1	Heating Pipe Assembly	9630648401	9630648401	9630648401	9630648401
	1	Cover, Rotorcase With Heating Pipes	9630647901	9630647901	9630647901	9630647901

(900727/1)

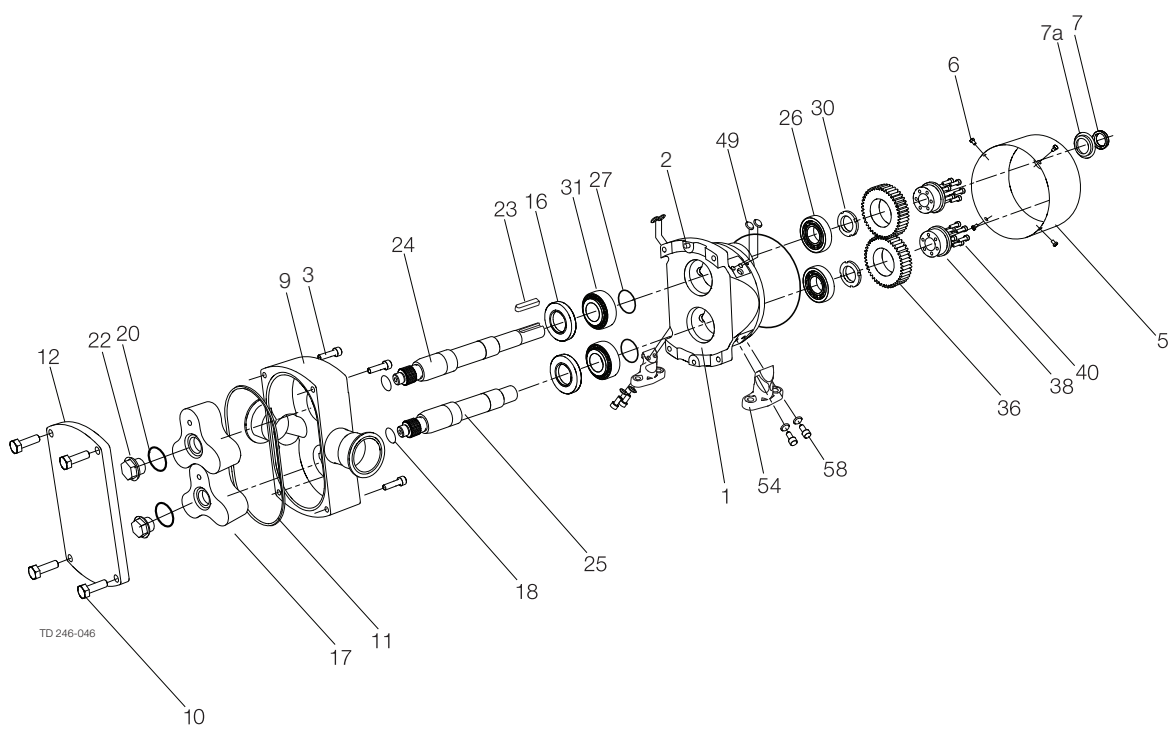
Pump Exploded View Drawing



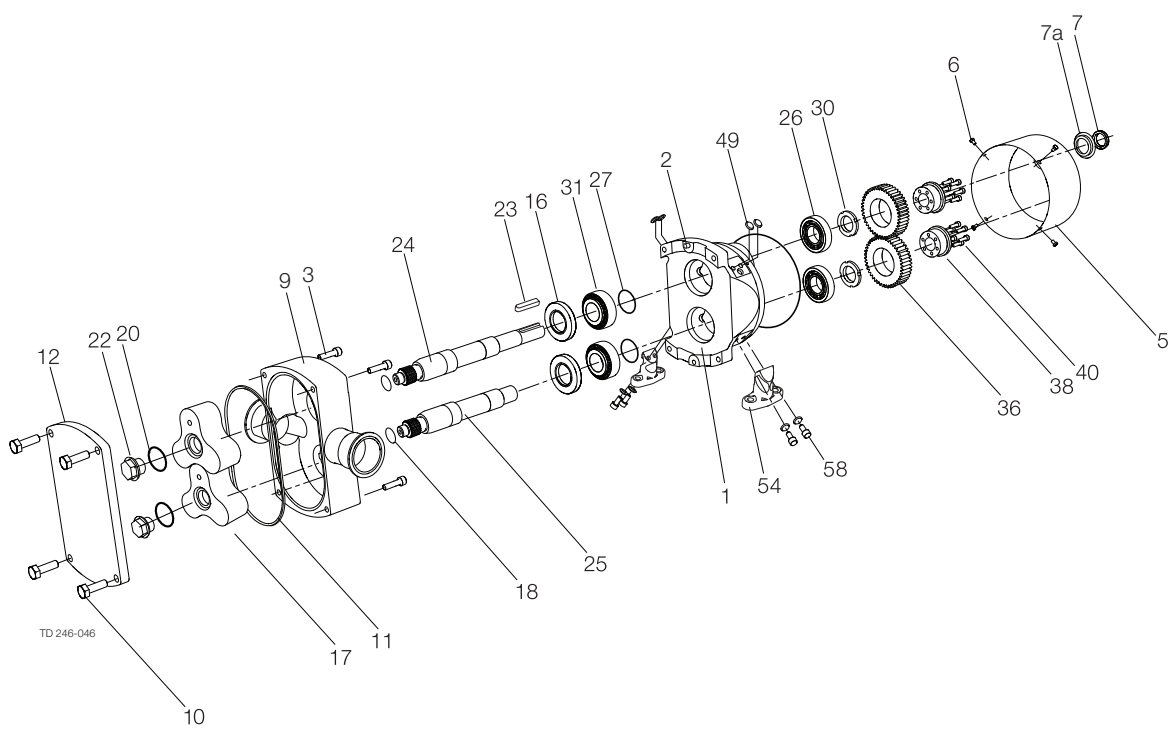
Pump Exploded View Drawing

Each kit for pump comprises of ;
 1 off Rotorcase Cover O-Rings (11)
 2 off Rotor O-Rings, shaft end (18)
 2 off Rotor O-Rings, nut end (20)

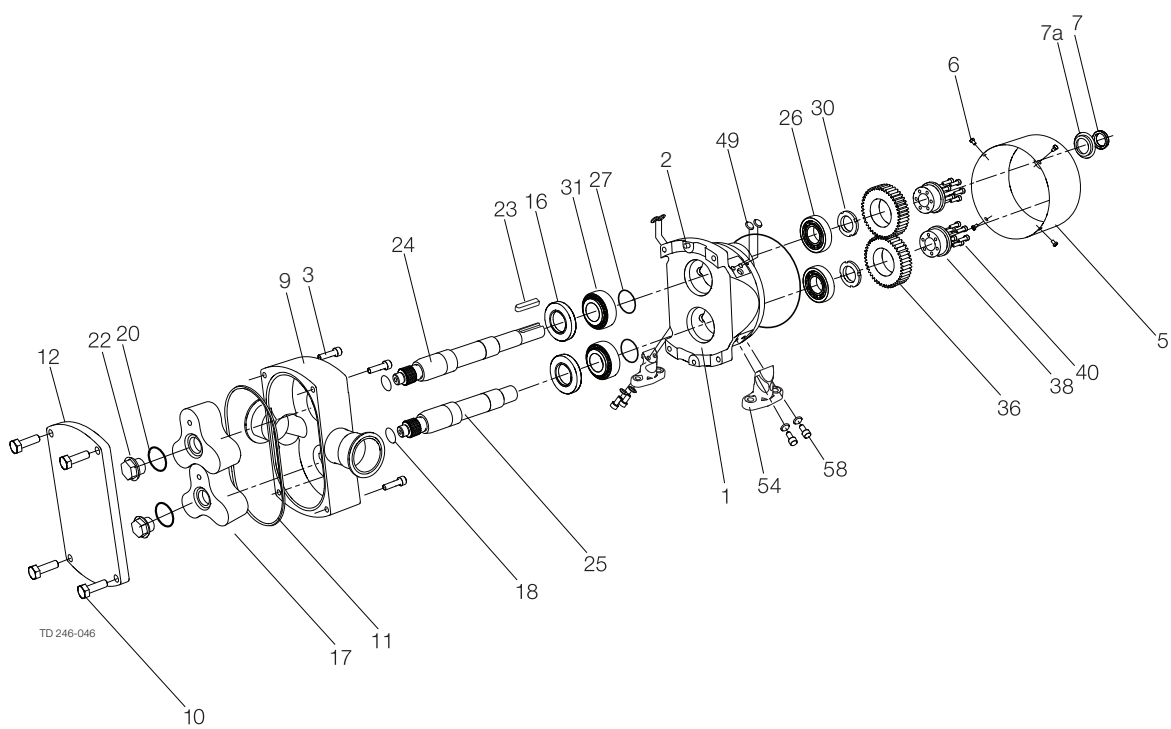
Pos	Qty	Denomination	Reference Part No.	Article No.
12 / 13				
Δ	1	Cover / Spline Kit EPDM	KL1CU	9630672400
Δ	1	Cover / Spline Kit FPM	KL1DU	9630672401
22 / 23				
Δ	1	Cover / Spline Kit EPDM	KL2CU	9630864748
Δ	1	Cover / Spline Kit FPM	KL2DU	9630864749
32 / 33				
Δ	1	Cover / Spline Kit EPDM	KL3CU	9630864750
Δ	1	Cover / Spline Kit FPM	KL3DU	9630864751
42 / 43				
Δ	1	Cover / Spline Kit EPDM	KL4CU	9630864752
Δ	1	Cover / Spline Kit FPM	KL4DU	9630864753
52 / 53				
Δ	1	Cover / Spline Kit EPDM	KL5CU	9630672402
Δ	1	Cover / Spline Kit FPM	KL5DU	9630672403



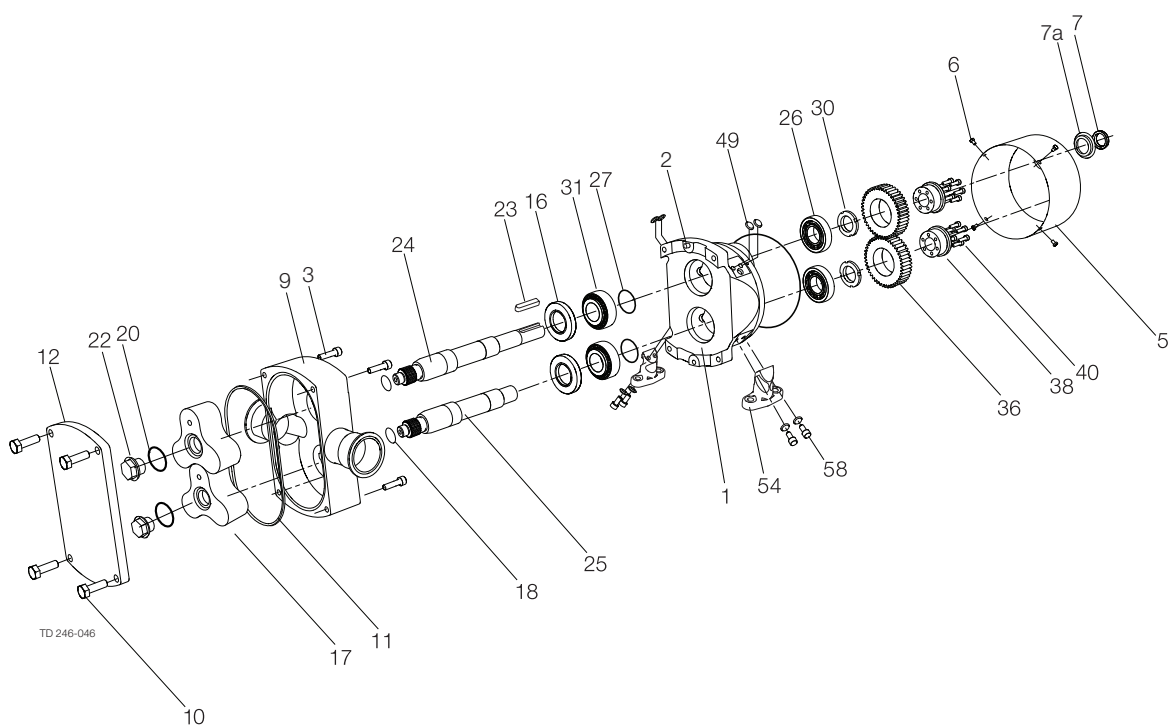
Pos	Qty	Denomination	Reference Part No.	Article No.
Rotary Seal / Stationary Seal Ring				
Each kit for pump comprises of ;				
	1	off Cover / Spline Sealing Kit		
	2	off wave springs (101)		
	2	off Rotary Seal O-rings (102)		
	2	off 'L' Cup Seals (103)		
	2	off Rotary Seal Drive Rings (104)		
	2	off Rotary Seal Rings (105)		
	2	off Stationary Seal Drive Rings (106)		
	2	off Rotary Seal O-rings (102)		
	2	off Stationary Seal Rings (107)		
			Service kit
	•	Carbon / Stainless Steel, EPDM	KL1CU-Q06	9630672404
	•	Carbon / Stainless Steel, FPM	KL1DU-Q02	9630672407
	•	Carbon / Silicon Carbide, EPDM	KL1CU-Q26	9630672406
	•	Carbon / Silicon Carbide, FPM	KL1DU-Q22	9630672409
	•	Silicon Carbide / Silicon Carbide, EPDM	KL1CU-Q16	9630672405
	•	Silicon Carbide / Silicon Carbide, FPM	KL1DU-Q12	9630672408
	□	2 EasyFit Seal Carbon / Stainless Steel EPDM	7800.100E	9630672416
	□	2 EasyFit Seal Carbon / Stainless Steel FPM	7800.100V	9630672417
	□	2 EasyFit Seal Silicon Carbide / Silicon Carbide EPDM	7800.150E	9630672418
	□	2 EasyFit Seal Silicon Carbide / Silicon Carbide FPM	7800.150V	9630672419
	□	2 EasyFit Seal Carbon / Silicon Carbide EPDM	7800.200E	9630672420
	□	2 EasyFit Seal Carbon / Silicon Carbide FPM	7800.200V	9630672421
Additional parts to convert pump fitted with Easy Fit signal seals to Easy Fit single flushed seals				
	1	Flushed Seal Conversion Kit BSPT	4010.377A	9630672673
Conversion Kits comprising of :-				
108	2	HOUSING SEAL, BSPT	9630644001	9630644001
109	4	Stud SS / Screw SS, BSPT	5950.124	9630682956
110	4	WASHER PLAIN SS, BSPT		
111	2	SEAL LIP FPM, BSPT	9630644601	9630644601
112	2	O RING FPM, BSPT	1551.027	9630070327
	4	NUT HEX SS, BSPT		
	2	FLUSHING TUBE, BSPT	31490.0304.9	9630045921



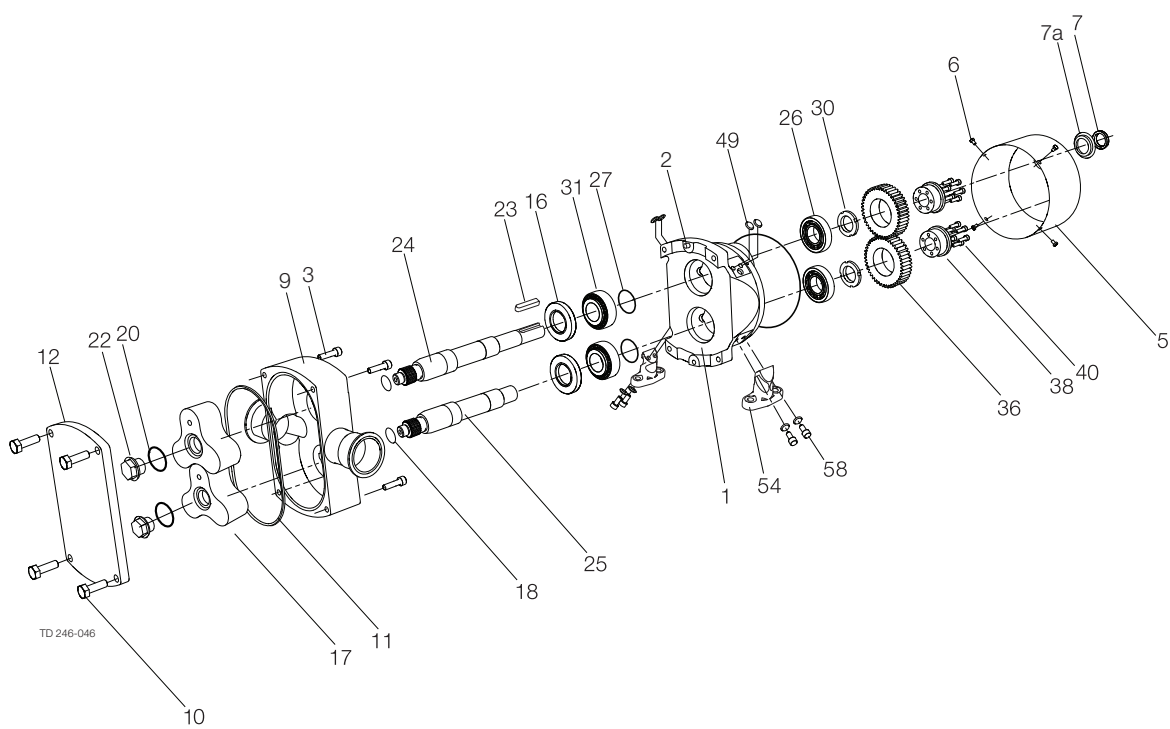
Pos	Qty	Denomination	Reference Part No.	Article No.
Rotary Seal / Stationary Seal Ring				
Each kit for pump comprises of ;				
	1	off Cover / Spline Sealing Kit		
	2	off wave springs (101)		
	2	off Rotary Seal O-rings (102)		
	2	off 'L' Cup Seals (103)		
	2	off Rotary Seal Drive Rings (104)		
	2	off Rotary Seal Rings (105)		
	2	off Stationary Seal Drive Rings (106)		
	2	off Rotary Seal O-rings (102)		
	2	off Stationary Seal Rings (107)		
			Service kit
	•	Carbon / Stainless Steel, EPDM	KL2CU-Q06	9630864754
	•	Carbon / Stainless Steel, FPM	KL2DU-Q02	9630864755
	•	Carbon / Silicon Carbide, EPDM	KL2CU-Q26	9630864758
	•	Carbon / Silicon Carbide, FPM	KL2DU-Q22	9630864759
	•	Silicon Carbide / Silicon Carbide, EPDM	KL2CU-Q16	9630864756
	•	Silicon Carbide / Silicon Carbide, FPM	KL2DU-Q12	9630864757
	□	2 EasyFit Seal Carbon / Stainless Steel EPDM	7800.101E	9630865978
	□	2 EasyFit Seal Carbon / Stainless Steel FPM	7800.101V	9630865979
	□	2 EasyFit Seal Carbon / Silicon Carbide EPDM	7800.151E	9630865980
	□	2 EasyFit Seal Carbon / Silicon Carbide FPM	7800.151V	9630865981
	□	2 EasyFit Seal Silicon Carbide / Silicon Carbide EPDM	7800.201E	9630864732
	□	2 EasyFit Seal Silicon Carbide / Silicon Carbide FPM	7800.201V	9630865982
Additional parts to convert pump fitted with Easy Fit signal seals to Easy Fit single flushed seals				
-	1	Flushed Seal Conversion Kit BSPT	4010.378A	9630863511
Conversion Kits comprising of :-				
108	2	HOUSING SEAL, BSPT	9630644101	9630644101
109	4	STUD SS, BSPT	6350.152	9630863464
110	4	WASHER PLAIN SS, BSPT	6400.046	9630030121
111	2	SEAL LIP FPM, BSPT	9630644710	9630644710
112	2	O RING FPM, BSPT	1551.135	9630037153
	4	NUT HEX SS, BSPT	5330.007	9630024061
	2	FLUSHING TUBE BSPT, BSPT	31490.0301.1	9630036833



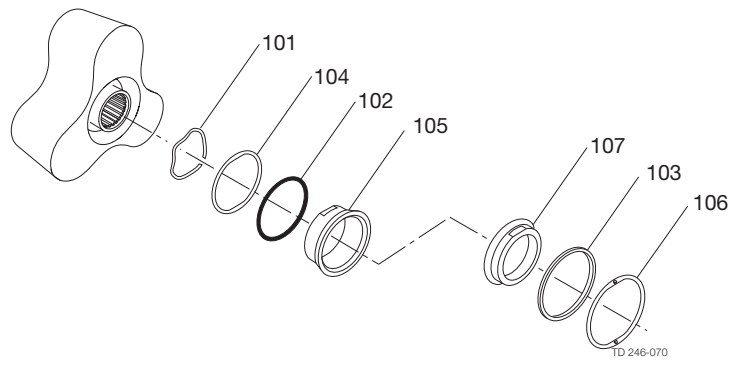
Pos	Qty	Denomination	Reference Part No.	Article No.
Rotary Seal / Stationary Seal Ring				
Each kit for pump comprises of ;				
	1	off Cover / Spline Sealing Kit		
	2	off wave springs (101)		
	2	off Rotary Seal O-rings (102)		
	2	off 'L' Cup Seals (103)		
	2	off Rotary Seal Drive Rings (104)		
	2	off Rotary Seal Rings (105)		
	2	off Stationary Seal Drive Rings (106)		
	2	off Stationary Seal Rings (107)		
			Service kit
	•	Carbon / Stainless Steel, EPDM	KL3CU-Q06	9630864760
	•	Carbon / Stainless Steel, FPM	KL3DU-Q02	9630864761
	•	Carbon / Silicon Carbide, EPDM	KL3CU-Q26	9630864764
	•	Carbon / Silicon Carbide, FPM	KL3DU-Q22	9630864765
	•	Silicon Carbide / Silicon Carbide, EPDM	KL3CU-Q16	9630864762
	•	Silicon Carbide / Silicon Carbide, FPM	KL3DU-Q12	9630864763
	□	2 EasyFit Seal Carbon / Stainless Steel EPDM	7800.102E	9630864736
	□	2 EasyFit Seal Carbon / Stainless Steel FPM	7800.102V	9630865989
	□	2 EasyFit Seal Carbon / Silicon Carbide EPDM	7800.152E	9630865990
	□	2 EasyFit Seal Carbon / Silicon Carbide FPM	7800.152V	9630865991
	□	2 EasyFit Seal Silicon Carbide / Silicon Carbide EPDM	7800.202E	9630864738
	□	2 EasyFit Seal Silicon Carbide / Silicon Carbide FPM	7800.202V	9630865992
Additional parts to convert pump fitted with Easy Fit signal seals to Easy Fit single flushed seals				
	1	Flushed Seal Conversion Kit BSPT	4010.379A	9630863512
Conversion Kits comprising of: -				
108	2	HOUSING SEAL, BSPT	9630644201	9630644201
109	4	STUD SS, BSPT	6350.152	9630863464
110	4	WASHER PLAIN SS, BSPT	6400.046	9630030121
111	2	SEAL LIP FPM, BSPT	9630644810	9630644810
112	2	O RING FPM, BSPT	1551.138	9630037158
	4	NUT HEX SS, BSPT	5330.007	9630024061
	2	FLUSHING TUBE BSPT, BSPT	31490.0301.8	9630865786



Pos	Qty	Denomination	Reference Part No.	Article No.
Rotary Seal / Stationary Seal Ring				
Each kit for pump comprises of ;				
	1	off Cover / Spline Sealing Kit		
	2	off wave springs (101)		
	2	off Rotary Seal O-rings (102)		
	2	off 'L' Cup Seals (103)		
	2	off Rotary Seal Drive Rings (104)		
	2	off Rotary Seal Rings (105)		
	2	off Stationary Seal Drive Rings (106)		
	2	off Stationary Seal Rings (107)		
			Service kit
	•	Carbon / Stainless Steel, EPDM	KL4CU-Q06	9630864766
	•	Carbon / Stainless Steel, FPM	KL4DU-Q02	9630864767
	•	Carbon / Silicon Carbide, EPDM	KL4CU-Q26	9630864770
	•	Carbon / Silicon Carbide, FPM	KL4DU-Q22	9630864771
	•	Silicon Carbide / Silicon Carbide, EPDM	KL4CU-Q16	9630864768
	•	Silicon Carbide / Silicon Carbide, FPM	KL4DU-Q12	9630864769
	□	2 EasyFit Seal Carbon / Stainless Steel EPDM	7800.103E	9630864742
	□	2 EasyFit Seal Carbon / Stainless Steel FPM	7800.103V	9630866002
	□	2 EasyFit Seal Carbon / Silicon Carbide EPDM	7800.153E	9630866003
	□	2 EasyFit Seal Carbon / Silicon Carbide FPM	7800.153V	9630866004
	□	2 EasyFit Seal Silicon Carbide / Silicon Carbide EPDM	7800.203E	9630866005
	□	2 EasyFit Seal Silicon Carbide / Silicon Carbide FPM	7800.203V	9630864745
Additional parts to convert pump fitted with Easy Fit signal seals to Easy Fit single flushed seals				
-	1	Flushed Seal Conversion Kit BSPT	4010.380A	9630863513
Conversion Kits comprising of :-				
108	2	HOUSING SEAL, BSPT	9630644202	9630644202
109	4	STUD SS, BSPT	6350.152	9630863464
110	4	WASHER PLAIN SS, BSPT	6400.046	9630030121
111	2	SEAL LIP FPM, BSPT	9630644910	9630644910
112	2	O RING FPM, BSPT	1551.148	9630925359
	4	NUT HEX SS, BSPT	5330.007	9630024061
	2	FLUSHING TUBE, BSPT	31490.0301.8	9630865786

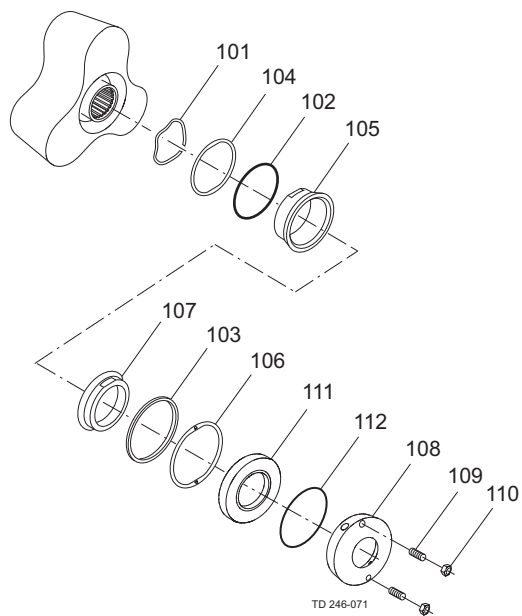


Pos	Qty	Denomination	Reference Part No.	Article No.
Rotary Seal / Stationary Seal Ring				
Each kit for pump comprises of ;				
	1	off Cover / Spline Sealing Kit		
	2	off wave springs (101)		
	2	off Rotary Seal O-rings (102)		
	2	off 'L' Cup Seals (103)		
	2	off Rotary Seal Drive Rings (104)		
	2	off Rotary Seal Rings (105)		
	2	off Stationary Seal Drive Rings (106)		
	2	off Rotary Seal O-rings (102)		
	2	off Stationary Seal Rings (107)		
			Service kit
	•	Carbon / Stainless Steel, EPDM	KL5CU-Q06	9630672410
	•	Carbon / Stainless Steel, FPM	KL5DU-Q02	9630672413
	•	Carbon / Silicon Carbide, EPDM	KL5CU-Q26	9630672412
	•	Carbon / Silicon Carbide, FPM	KL5DU-Q22	9630672415
	•	Silicon Carbide / Silicon Carbide, EPDM	KL5CU-Q16	9630672411
	•	Silicon Carbide / Silicon Carbide, FPM	KL5DU-Q12	9630672414
	□	2 EasyFit Seal Carbon / Stainless Steel EPDM	7800.104E	9630672422
	□	2 EasyFit Seal Carbon / Stainless Steel FPM	7800.104V	9630672423
	□	2 EasyFit Seal Carbon / Silicon Carbide EPDM	7800.154E	9630672424
	□	2 EasyFit Seal Carbon / Silicon Carbide FPM	7800.154V	9630672425
	□	2 EasyFit Seal Silicon Carbide / Silicon Carbide EPDM	7800.204E	9630672426
	□	2 EasyFit Seal Silicon Carbide / Silicon Carbide FPM	7800.204V	9630672427
Additional parts to convert pump fitted with Easy Fit signal seals to Easy Fit single flushed seals				
	1	Flushed Seal Conversion Kit BSPT	4010.381A	9630672672
Conversion Kits comprising of :-				
108	2	HOUSING SEAL, BSPT	9630644401	9630644401
109	4	STUD SS, BSPT	6350.145	9630062341
110	4	WASHER PLAIN SS, BSPT	6400.046	9630030121
111	2	SEAL LIP FPM, BSPT	9630645301	9630645301
112	2	O RING FPM, BSPT	1551.241	9630673054
	4	NUT HEX SS, BSPT	5330.007	9630024061
	2	FLUSHING TUBE, BSPT	31490.0301.2	9630036837



EasyFit Single Mechanical Seal

Pos	Qty	Denomination
101	1	Wave Spring
102	1	Rotary Seal O-Ring
103	1	L' Cup Seal
104	1	Rotary Seal Drive Ring
105	1	Rotary Seal Ring
106	1	Stationary Seal Drive Ring
107	1	Stationary Seal Ring



EasyFit Single Flushed Mechanical Seal

Pos	Qty	Denomination
101	1	Wave Spring
102	1	Rotary Seal O-Ring
103	1	L' Cup Seal
104	1	Rotary Seal Drive Ring
105	1	Rotary Seal Ring
106	1	Stationary Seal Drive Ring
107	1	Stationary Seal Ring
108	1	Housing
109	2	Stud
110	2	Nut
111	1	Lip Seal
112	1	Housing O-Ring

How to contact Alfa Laval

Contact details for all countries are continually updated on our website.

Please visit www.alfalaval.com to access the information directly.

© Alfa Laval Corporate AB

This document and its contents is owned by Alfa Laval Corporate AB and protected by laws governing intellectual property and thereto related rights. It is the responsibility of the user of this document to comply with all applicable intellectual property laws. Without limiting any rights related to this document, no part of this document may be copied, reproduced or transmitted in any form or by any means (electronic, mechanical, photocopying, recording, or otherwise), or for any purpose, without the expressed permission of Alfa Laval Corporate AB. Alfa Laval Corporate AB will enforce its rights related to this document to the fullest extent of the law, including the seeking of criminal prosecution.