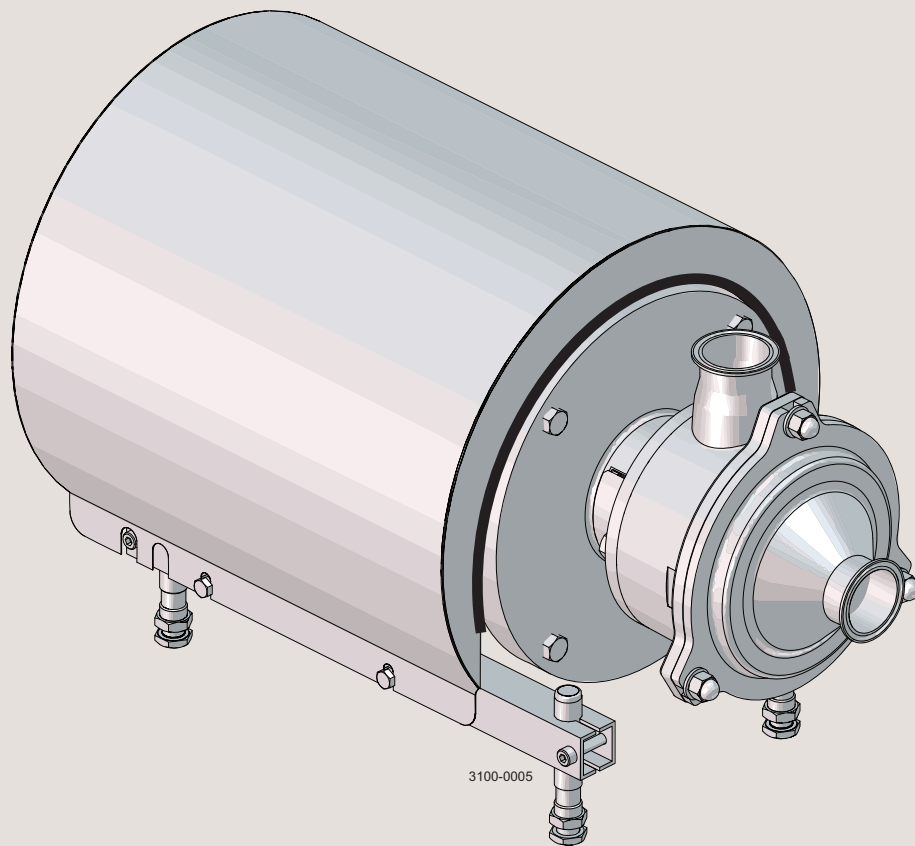




Spare Parts

MR - Liquid-Ring Pump



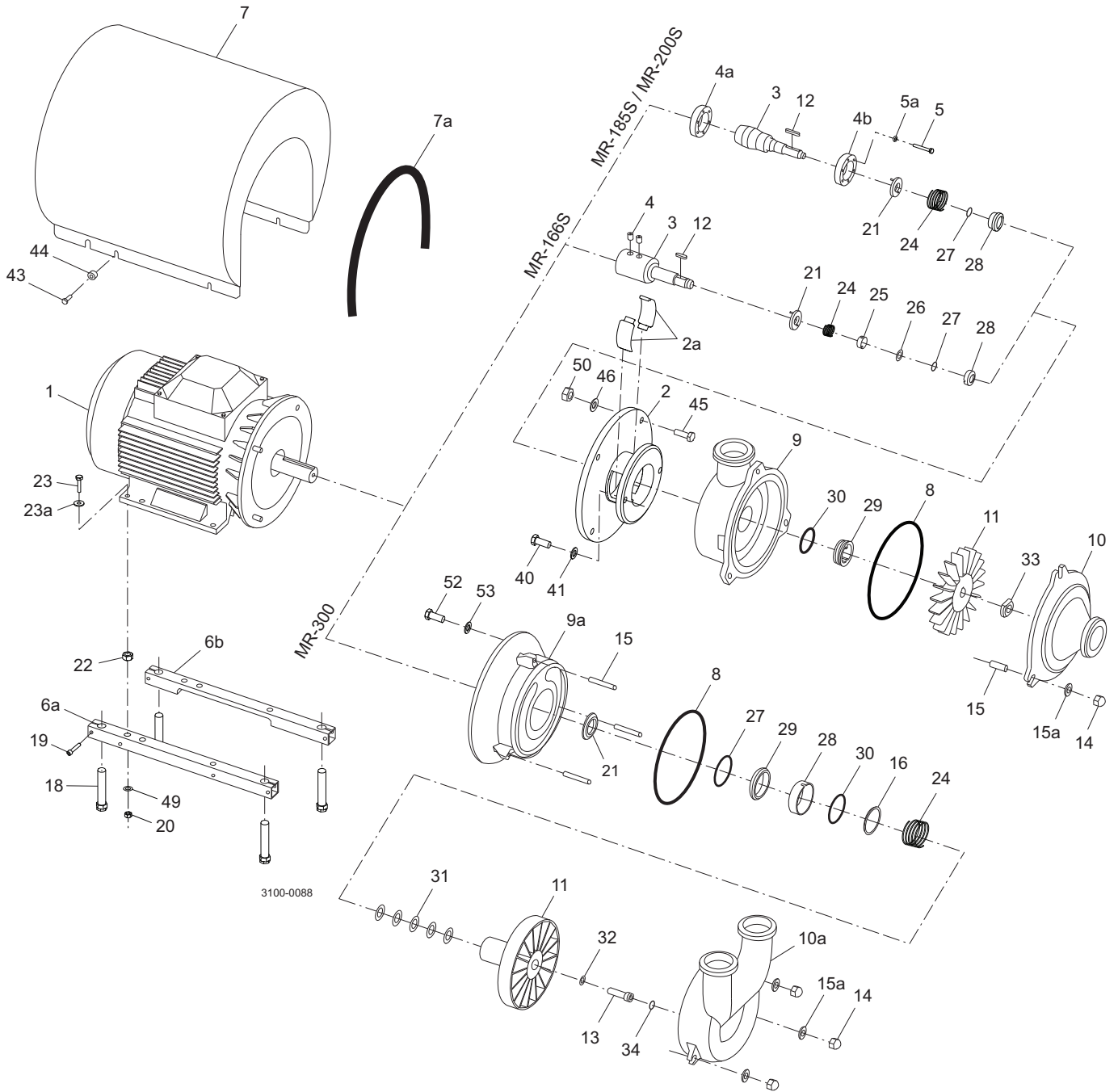
ESE00724-EN14 2021-10

Original manual

Table of contents

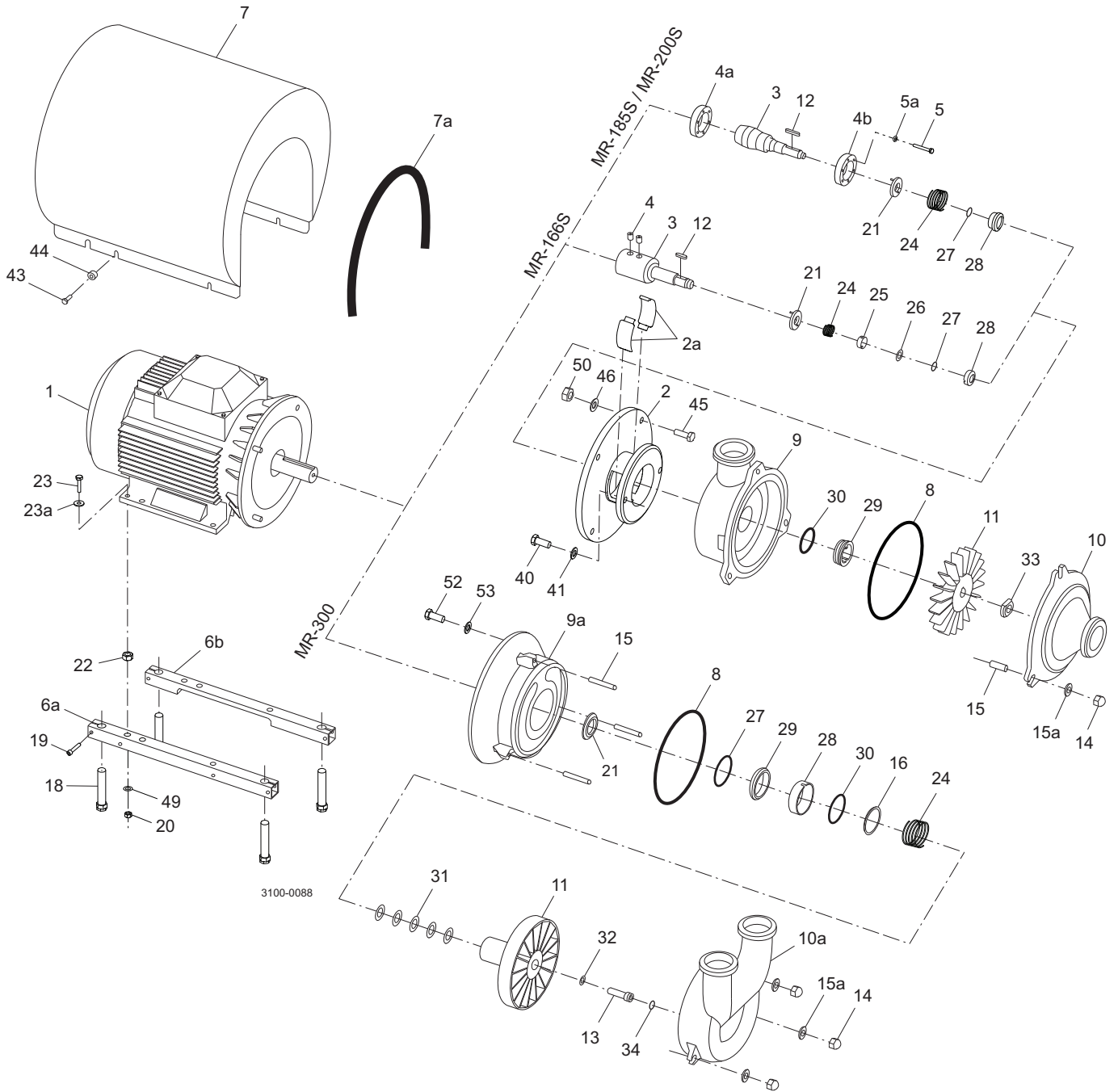
The information herein is correct at the time of issue but may be subject to change without prior notice

- 1. MR - Wet end 4
- 2. MR - Motor dependent parts 6
- 3. MR - Shaft seal and service kits 8



MR - Wet end

Pos	Qty	Denomination	MR-166S	MR-185S	MR-200S	MR-200S	MR-300	MR-300
			IEC100	IEC132	IEC132	IEC160	IEC160	IEC180
9	1	Pump casing						
		Pump casing						
		ISO male	3143803961	3143803931	3143803931	3143803931		
		SMS	3143803962	3143803932	3143803932	3143803932		
		DIN		3143803933	3143803933	3143803933		
		ISO clamp	3143803964	3143803934	3143803934	3143803934		
		BS	3143803965	3143803935	3143803935	3143803935		
9a	1	Pump casing					3143803411	3143803411
10	1	Casing cover						
		ISO male	3143803951	3143803921	3143803941	3143803941		
		SMS	3143803952	3143803922	3143803942	3143803942		
		DIN		3143803923	3143803943	3143803943		
		ISO clamp	3143803954	3143803924	3143803944	3143803944		
		BS	3143803955	3143803925	3143803945	3143803945		
10a	1	Casing cover						
		ISO male						
		SMS					3143803422	3143803422
		DIN					3143803423	3143803423
		ISO clamp						
		BS					3143803425	3143803425
8	□Δ	1 O-ring, EPDM (Standard) ...						
		1 O-ring, NBR						
		1 O-ring, FPM						
11	1	Impeller	3143801702	3143800341	3143800341	3143800341	3143803441	3143803442
33	1	Impeller nut	3144200131	3143800361	3143800361	3143800361		
13		Impeller screw					3143803451	3143803451
32	1	Washer for impeller screw ..					9611991746	9611991746
31	1-2	Shims, 0.1 mm					3146000124	3146000125
	4-5	Shims, 0.5 mm					3146000114	3146000115
34	□	1 O-ring, EPDM (Standard) ...						
		1 O-ring, NBR						
		1 O-ring, FPM						
14	3	Cap nut	22185115	22185115	22185115	22185115	22185115	22185115
15	3	Stud bolt	9611992408	9611992408	9611992408	9611992408	9611992994	9611992994
15a	3	Washer	9611990706	9611990706	9611990706	9611990706	9611990706	9611990706
21	1	Thrower	3145200041	3143800451	3143800451	3143800451	3146003752	3146003751

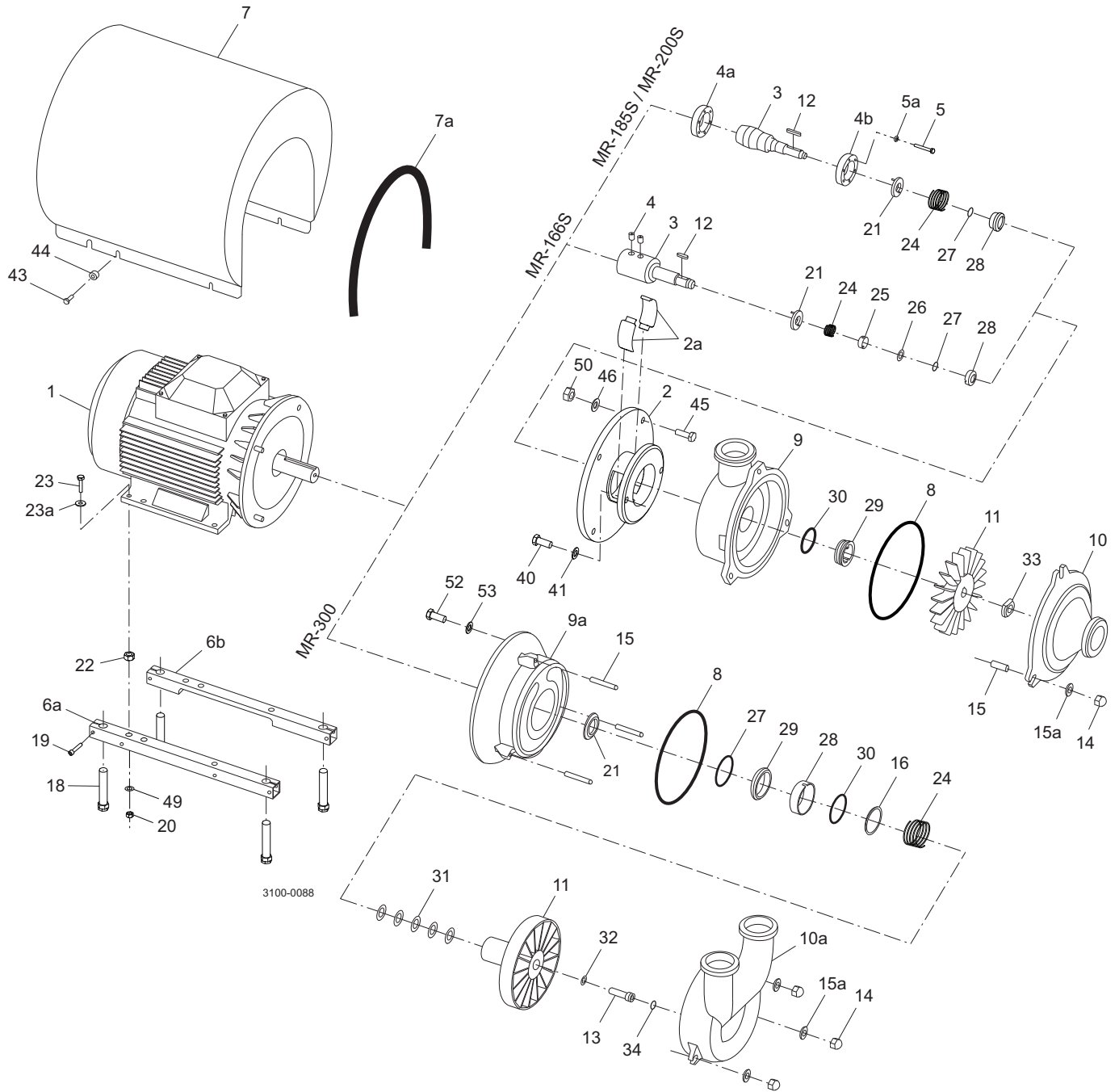


MR - Motor dependent parts

Pos	Qty	Denomination	MR-166S	MR-185/200S	MR200S	MR300	MR300
			IEC100	IEC132	IEC160	IEC160	IEC180
2	1	Bracket	9613856801	9613857301	9615208701		
2a	2	Bracket cover	9612916803	9612916803	9612916803		
3	1	Shaft	9612633101	3143802361	9615207301		
12	1	Key	190337	190411	190411		
4	2	Screw	9612587502				
4a	1	Compression ring		9612133705	9612133603		
4b	1	Compression ring		9612133605	9612133703		
5	6	Screw		9611993197	9611993198		
5a	6	Washer		9611993199	9611993199		
7	1	Shroud complete	9614192203	9612139008	9612139005	9612139005	9612139006
7a	1	Edge list, (included in pos.5)					
6a	1	Support bar, right	9612132205	9612132206	9612132203	9612132203	9612132204
6b	1	Support bar, left	9612132305	9612132306	9612132303	9612132303	9612132304
18	4	Legs	9612396701	9612396701	9612396701	9612396701	9612396701
43	4	Screw	9611993240	9611993240	9611993241	9611993241	9611993243
44	4	Distance sleeve	9611992737	9611992737	3143803902	3143803902	3143803901
19	4	Screw	9611991907	9611991126	9611991126	9611991126	9611991126
20	4	Nut	9611990353	9611990353	9611990587	9611990587	9611990587
49	4	Spring washer	9611991887	9611991887	9611990676	9611990676	9611990676
22	4	Nut	9611990587				
23	4	Screw	961199324	9611991911	9611991834	9611991834	9611991834
23a	4	Washer	9611990786	9611990786	9611990706	9611990706	9611990706
46	4	Washer	9611991887	9611990676	9611991886	9611991886	
50	4	Nut	9611990353	9611990587	9611992160	9611992160	
45	4	Screw	9611991834	9611992162	9611992163	9611992163	
40	2	Screw	9611994413	9611994413	9611994413		
41	2	Spring washer	9611994417	9611994417	9611994417		
52	4	Screw				9611992511	9611992511
53	4	Spring washer				9611991886	9611991886

Pos	Qty	Denomination	MR-166S	MR-185S	MR-200S	MR200S	MR300	MR300
			2.2kW IEC100	5.5kW IEC132	7,5kW IEC132	11kW IEC160	15kW IEC160	18.5kW IEC180
1	1	Motor ABB, 1500rpm	9614303020	9614303023	9614303024	9614303025	9614303026	9614303027

3 ~, 50 Hz, 230VD/400VY - Standard ≤ 22 kW and 400VD/690VY Standard > 22 kW
 3 ~, 60 Hz, 220VD/440-460VY - Standard ≤ 22 kW and 440-460VD Standard > 22 kW



MR - Shaft seal and service kits

Pos	Qty	Denomination	MR-166S/ 185S/ 200S		MR-300
			MR-166S	MR-185S/ 200S	MR-300
	1	Spanner for stationary seal ring	3143803351		
	1	Key for hexagonal socket		66884	
	1	Impeller tool		3146000501	
	1	Shaft seal tool		3146004161	
Pos	Qty	Denomination	MR-166S	MR-185S/ 200S	MR-300
□		Shaft seal, complete C/SS, EPDM (Standard)	3143802071	3143802061	3143803001
24	1	Spring			
25	1	Space ring			
26	1	Washer			
27	1	O-ring			
28	1	Rotating seal ring			
29	1	Stationary seal ring			
30	1	O-ring			
16	1	Washer			
□		Shaft seal, complete C/SS, NBR	3143802072	3143802062	3143803002
24	1	Spring			
25	1	Spacer ring			
26	1	Washer			
27	1	O-ring			
28	1	Rotating seal ring			
29	1	Stationary seal ring			
30	1	O-ring			
16	1	Washer			
□		Shaft seal, complete C/SS, FPM	3143802073	3143802063	3143803003
24	1	Spring			
25	1	Spacer ring			
26	1	Washer			
27	1	O-ring			
28	1	Rotating seal ring			
29	1	Stationary seal ring			
30	1	O-ring			
16	1	Washer			
Alternatives					
△		Shaft seal, complete SiC/SiC, EPDM		3143802064	
25	1	Spring			
26	1	O-ring			
27	1	Rotating seal ring SiC.			
28	1	Stationary seal ring SiC.			
29	1	O-ring			
△		Shaft seal, complete SiC/SiC, NBR		3143802065	
25	1	Spring			
26	1	O-ring			
27	1	Rotating seal ring SiC.			
28	1	Stationary seal ring SiC.			
29	1	O-ring			
△		Shaft seal, complete SiC/SiC, FPM		3143802066	
25	1	Spring			
26	1	O-ring			
27	1	Rotating seal ring SiC.			
28	1	Stationary seal ring SiC.			
29	1	O-ring			
			MR-166S	MR-185S/ 200S	MR-300
□		Service kit, C/SS EPDM	9611921078	9611921081	9611921084
□		Service kit, C/SS NBR	9611921079	9611921082	9611921085
□		Service kit, C/SS FPM	9611921080	9611921083	9611921086
△		Service kit, SiC/SiC EPDM		80100014933	
△		Service kit, SiC/SiC NBR		80100014934	
△		Service kit SiC/SiC FPM		80100014935	

Parts marked with □△ are included in the service kits.

Recommended spare parts: Service kits.

(900692/4)

How to contact Alfa Laval

Contact details for all countries are continually updated on our website.

Please visit www.alfalaval.com to access the information directly.

© Alfa Laval Corporate AB

This document and its contents is owned by Alfa Laval Corporate AB and protected by laws governing intellectual property and thereto related rights. It is the responsibility of the user of this document to comply with all applicable intellectual property laws. Without limiting any rights related to this document, no part of this document may be copied, reproduced or transmitted in any form or by any means (electronic, mechanical, photocopying, recording, or otherwise), or for any purpose, without the expressed permission of Alfa Laval Corporate AB. Alfa Laval Corporate AB will enforce its rights related to this document to the fullest extent of the law, including the seeking of criminal prosecution.