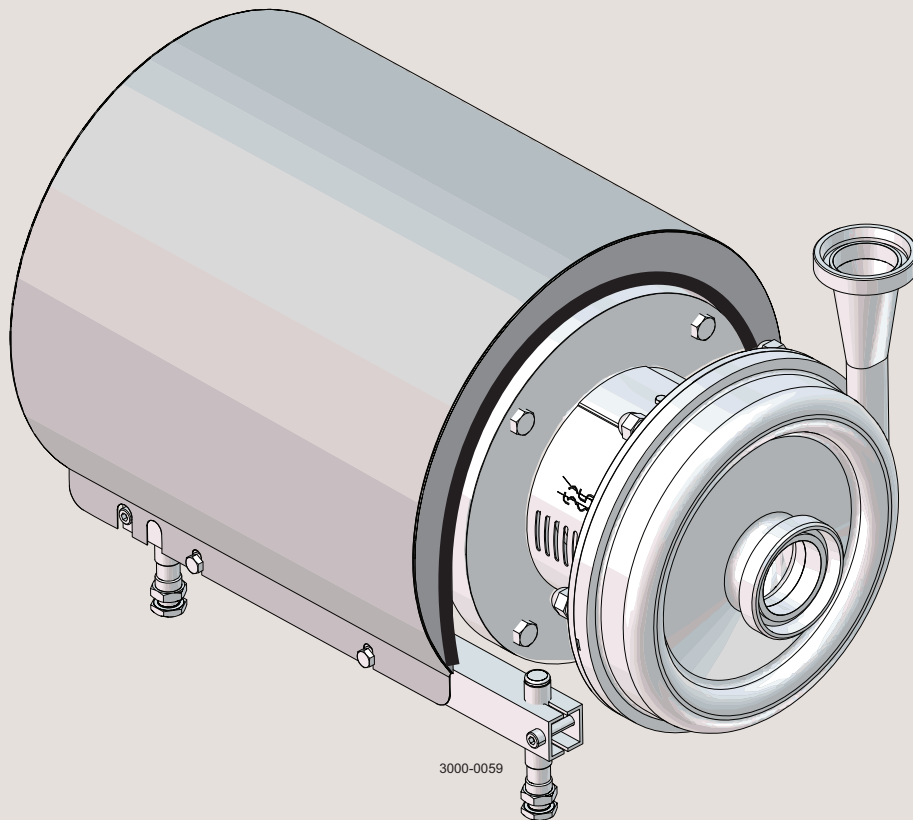




Spare Parts

LKHI Centrifugal Pump for 16 bar Inlet Pressure



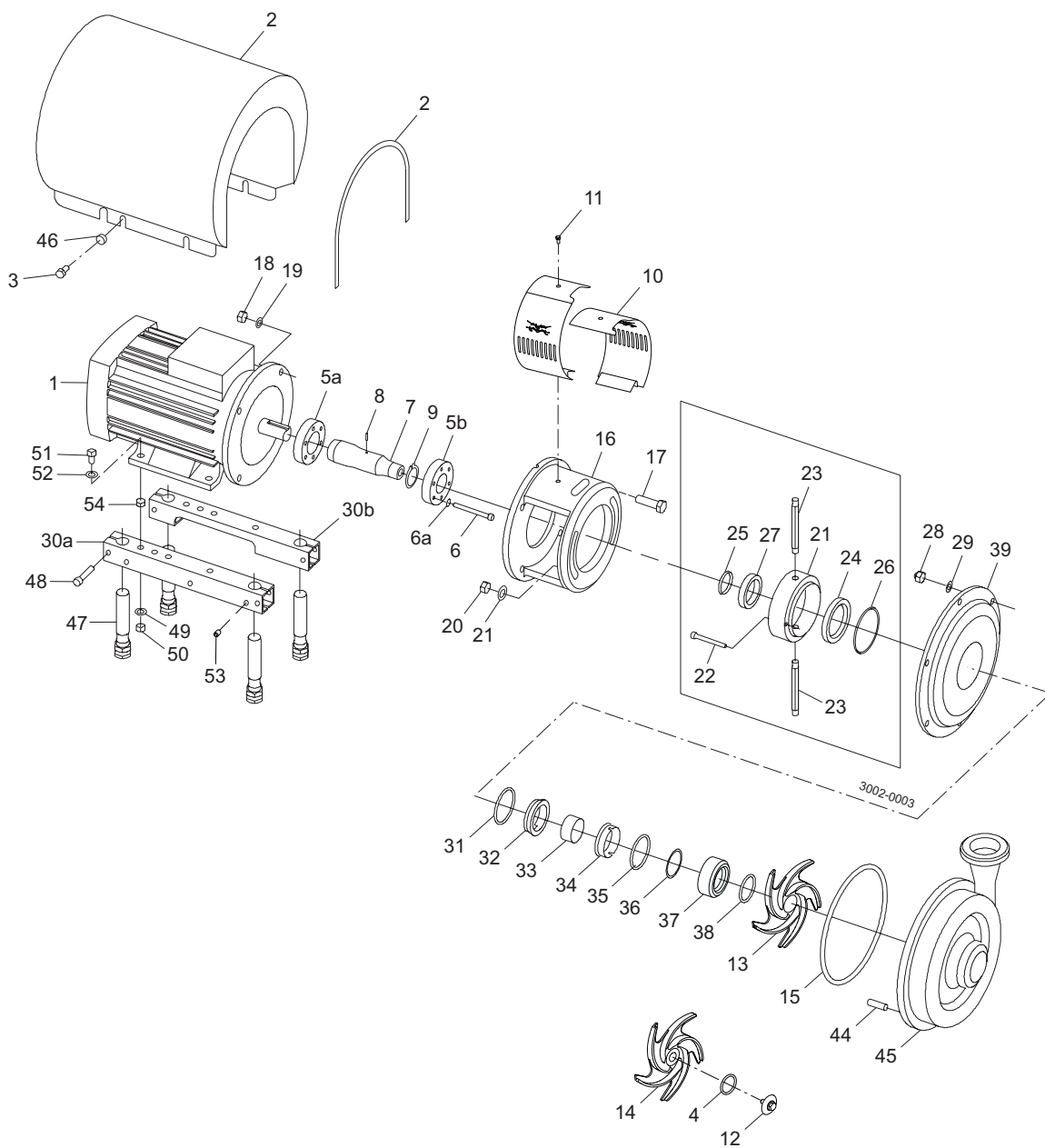
ESE00716-EN14 2021-02

Original manual

Table of contents

The information herein is correct at the time of issue but may be subject to change without prior notice

1. LKHI - Wet end	4
2. LKHI - Motor dependent parts	8
3. LKHI - Shaft seal and service kits	12

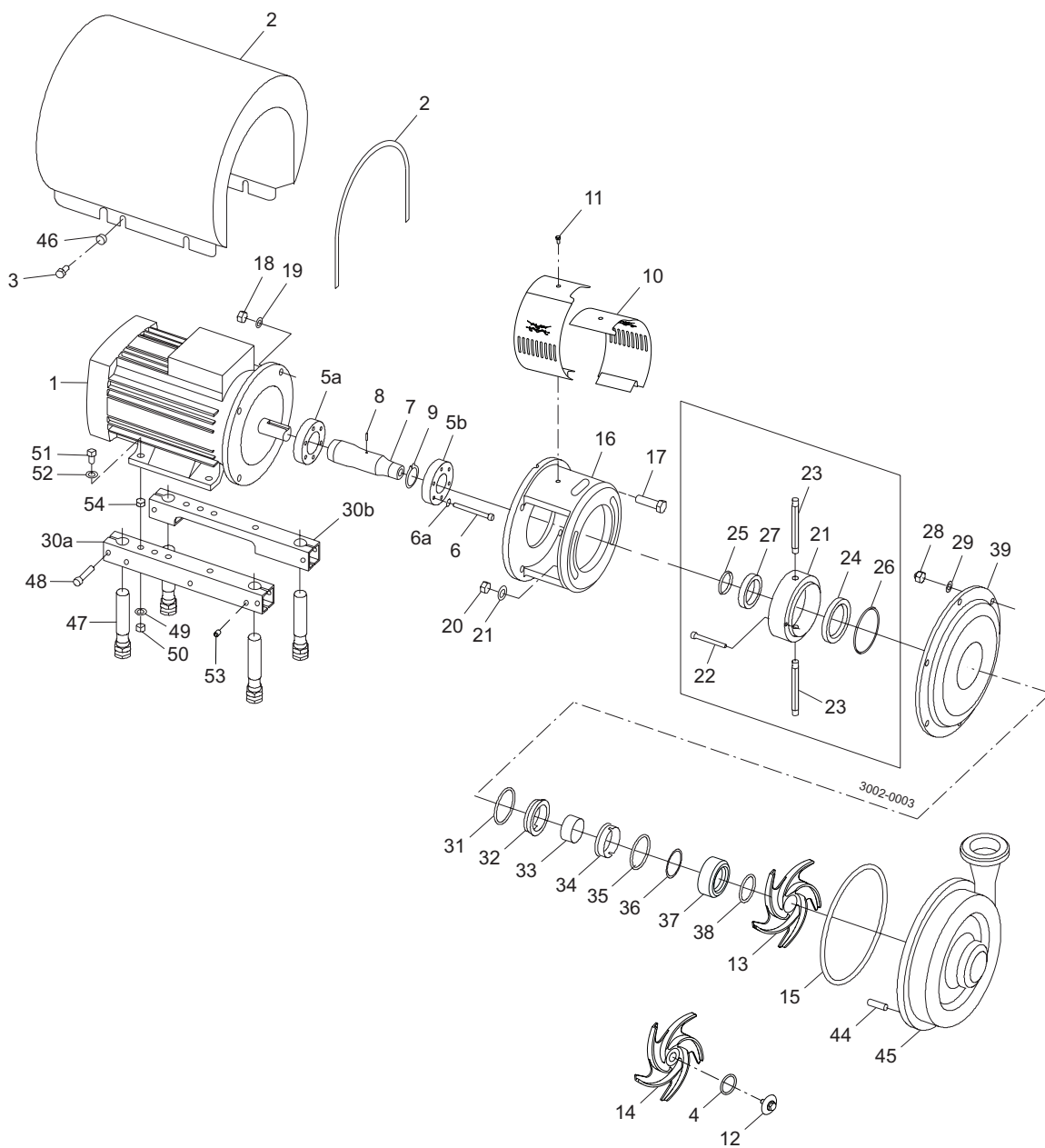


Pos	Qty	Denomination	LKHI-10	LKHI-15	LKHI-20	LKHI-25
			IEC90-IEC112	IEC100-IEC132	IEC90-IEC132	IEC112-IEC160
Pump casing std. blasted						
45	1	Pump casing, IDF	9612139801	9612492401	9612139806	9612492406
	1	Pump casing, SMS	9612139802	9612492402	9612139807	9612492407
	1	Pump casing, DIN/ISO	9612139803	9612492403	9612139808	9612492408
	1	Pump casing, ISO	9612139804	9612492404	9612139809	9612492409
	1	Pump casing, BS	9612139805	9612492405	9612139810	9612492410
	1	Pump casing, DS	9612139826	9612492421	9612139828	9612492422
	1	Pump casing, DIN/DIN	9612139827	9614057802	9612139829	9614057803
	1	Pump casing, flange DN65/DN50	9612138001		9612138002	
	1	Pump casing, flange DN80/DN65				9612138009
	1	Pump casing, flange DN100/DN80				

Pos	Qty	Denomination	LKHI-35	LKHI-40	LKHI-45	LKHI-50	LKHI-60
			IEC112-IEC160	IEC132-IEC180	IEC112-IEC160	IEC132-IEC180	IEC132-IEC200
Pump casing std. blasted							
45	1	Pump casing, IDF	9612492411	9612139816		9612139821	9612355401
	1	Pump casing, SMS	9612492412	9612139817	9612492417	9612139822	9612355402
	1	Pump casing, DIN/ISO	9612492413	9612139818	9612492418	9612139823	9612355403
	1	Pump casing, ISO	9612492414	9612139819	9612492419	9612139824	9612355404
	1	Pump casing, BS	9612492415	9612139820	9612492420	9612139825	9612355405
	1	Pump casing, DS		9612139830	9612492424	9612139832	9612355406
	1	Pump casing, DIN/DIN	9614057804	9612139831	9614057805		9612355419
	1	Pump casing, NW 150/100					
	1	Pump casing, 152.4/101.6 CL					9612355408
	1	Pump casing, flange DN65/DN50	9612138010				
	1	Pump casing, flange DN80/DN65		9612138004			
	1	Pump casing, flange DN100/DN80			9612138011	9612138005	
	1	Pump casing, flange DN100/DN100					
	1	Pump casing, flange DN150/DN100					9612138007

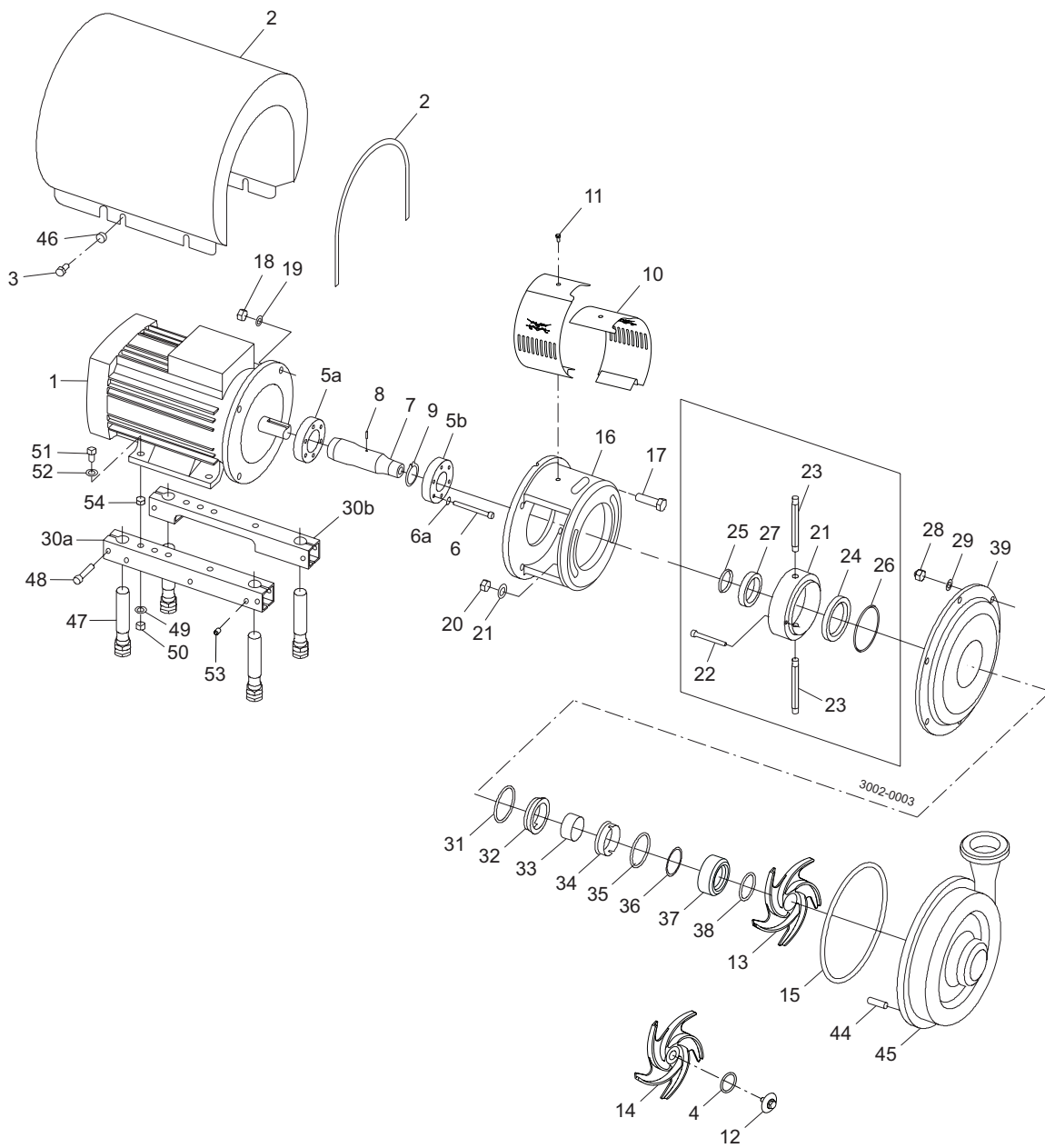
Pos	Qty	Denomination	LKHI-10	LKHI-15	LKHI-20	LKHI-25
			IEC90-IEC112	IEC100-IEC132	IEC90-IEC132	IEC112-IEC160
Pump casing Mech Ra 0.8						
45	1	Pump casing, IDF	9612457201	9612492501	9612457206	9612492506
	1	Pump casing, SMS	9612457202	9612492502	9612457207	9612492507
	1	Pump casing, DIN/ISO		9612492503	9612457208	
	1	Pump casing, ISO	9612457204	9612492504	9612457209	9612492509
	1	Pump casing, BS	9612457205	9612492505	9612457210	9612492510
	1	Pump casing, DS	9612457226	9612492521	9612457228	9612492522
	1	Pump casing, DIN/DIN	9612457227	9614057807	9612457229	9614057808

Pos	Qty	Denomination	LKHI-35	LKHI-40	LKHI-45	LKHI-50	LKHI-60
			IEC112-IEC160	IEC132-IEC180	IEC112-IEC160	IEC132-IEC180	IEC132-IEC200
Pump casing Mech Ra 0.8							
45	1	Pump casing, IDF	9612492511	9612457216	9612492516	9612457221	9612355409
	1	Pump casing, SMS	9612492512	9612457217	9612492517	9612457222	9612355410
	1	Pump casing, DIN/ISO	9612492513	9612457218	9612492518	9612457223	9612355411
	1	Pump casing, ISO	9612492514	9612457219	9612492519	9612457224	9612355412
	1	Pump casing, BS	9612492515	9612457220	9612492520	9612457225	9612355413
	1	Pump casing, DS	9612492523	9612457230	9612492524	9612457232	9612355414
	1	Pump casing, DIN/DIN	9614057809	9612457231	9614057810	9612457233	9612355420
	1	Pump casing, NW 150/100					9612355415
	1	Pump casing, 152.4/101.6 CL					9612355416



Pos	Qty	Denomination	LKHI-10	LKHI-15	LKHI-20	LKHI-25
			IEC90-IEC112	IEC100-IEC132	IEC90-IEC132	IEC112-IEC160
28	6	Cap nut	9611992592	9611992592	9611992592	9611992593
29	6	Washer	9611991888	9611991888	9611991888	9611991887
44	6	Bolt	9611992168	9611992168	9611992168	9611992169
15	1	O-ring, EPDM	9611992137	9611992137	9611992141	9611992983
	1	O-ring, NBR	9611992139	9611992139	9611992143	9611992984
	1	O-ring, FPM	9611992138	9611992138	9611992142	9611992985
13	1	Impeller, std. blasted	9612408107	9612510201	9612408201	9612510301
	1	Impeller, Mech Ra ≤ 0.8	9612408115	9612510205	9612408205	9612510305
14	1	Impeller for impeller screw, std. blasted	9612408108	9612510202	9612408202	9612510302
	1	Impeller for impeller screw, Mech Ra ≤ 0.8	9612408116	9612510206	9611408206	9612510306
12	1	Impeller screw, std. blasted	9612139601	9612139601	9612139601	9612139601
	1	Impeller screw, Mech Ra ≤ 0.8	9612139603	9612139603	9612139603	9612139603
4	1	O-ring, EPDM	9611992145	9611992145	9611992145	9611992145
	1	O-ring, NBR	9611992147	9611992147	9611992147	9611992147
	1	O-ring, FPM	9611992146	9611992146	9611992146	9611992146
39	1	Back plate, std. blasted	9612389205	9612389205	9612389206	9612389220
	1	Back plate, Mech Ra ≤ 0.8	9612389216	9612389216	9612389217	
20	2	Nut	9611990353	9611990353	9611990353	9611990353
21	2	Washer	9611992559	9611992559	9611992559	9611992559

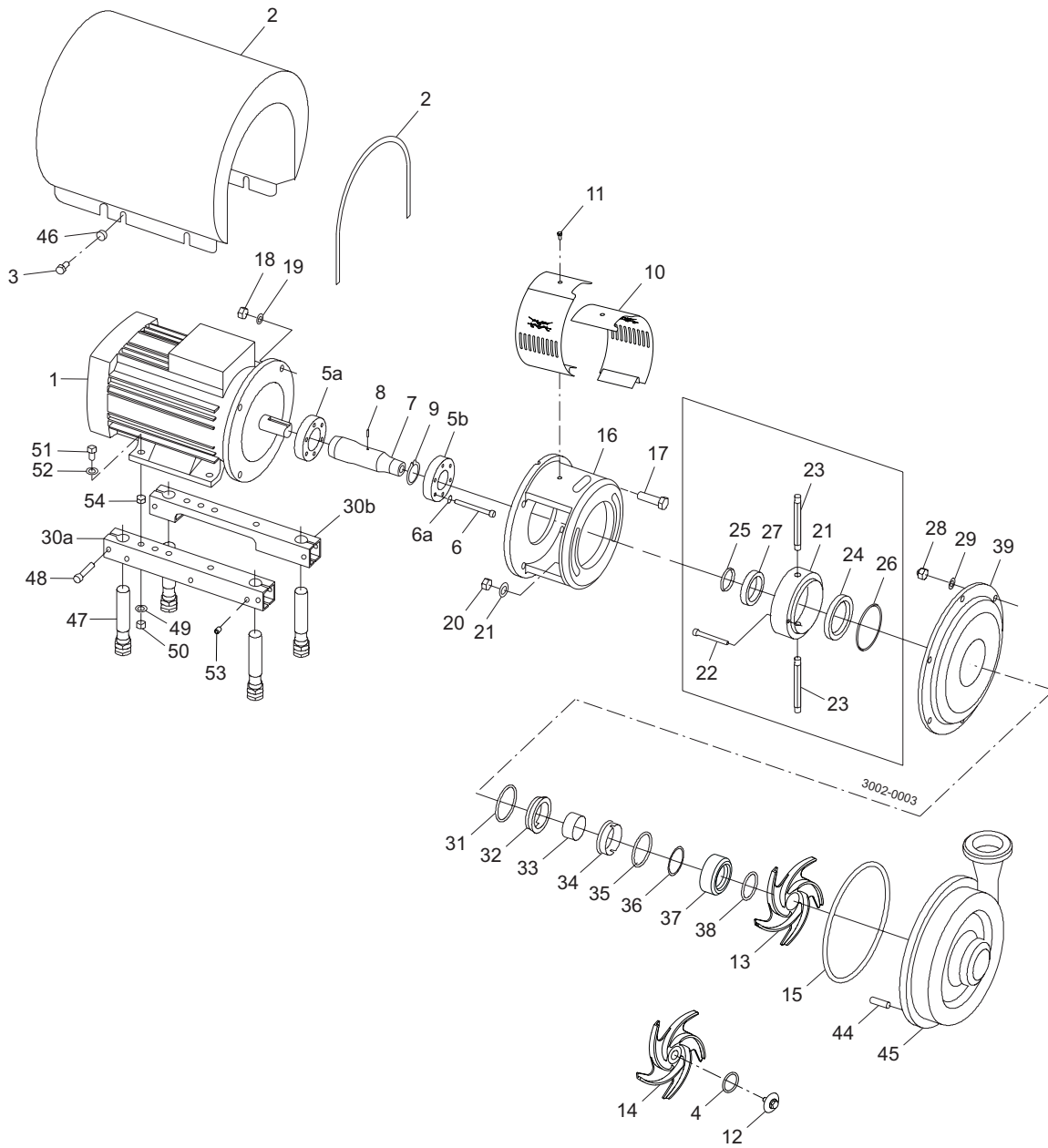
Pos	Qty	Denomination	LKHI-35	LKHI-40	LKHI-45	LKHI-50	LKHI-60
			IEC112-IEC160	IEC132-IEC180	IEC112-IEC160	IEC132-IEC180	IEC132-IEC200
28	6	Cap nut	9611992593	9611992593	9611992593	9611992593	9611992593
29	6	Washer	9611991887	9611991887	9611991887	9611991887	9611991887
44	6	Bolt	9611992169	9611992169	9611992169	9611992169	9611992169
15	1	O-ring, EPDM	9611992983	9611992171	9611992983	9611992171	9611992171
	1	O-ring, NBR	9611992984	9611992173	9611992984	9611992173	9611992173
	1	O-ring, FPM	9611992985	9611992172	9611992985	9611992172	9611992172
13	1	Impeller, std. blasted	9612510401	9612408401	9612510501	9612408501	9612408601
	1	Impeller, Mech Ra ≤ 0.8	9612510405	9612408405	9612510505	9612408505	9612408605
14	1	Impeller for impeller screw, std. blasted	9612510402	9612408402	9612510502	9612408502	9612408602
	1	Impeller for impeller screw, Mech Ra ≤ 0.8	9612510406	9612408406	9612510506	9612408506	9612408606
12	1	Impeller screw, std. blasted	9612139601	9612139601	9612139601	9612139601	9612139601
	1	Impeller screw, Mech Ra ≤ 0.8	9612139603	9612139603	9612139603	9612139603	9612139603
4	1	O-ring, EPDM	9611992145	9611992145	9611992145	9611992145	9611992145
	1	O-ring, NBR	9611992147	9611992147	9611992147	9611992147	9611992147
	1	O-ring, FPM	9611992146	9611992146	9611992146	9611992146	9611992146
39	1	Back plate std., blasted	9612389220	9612389207	9612389220	9612389207	9612389207
	1	Back plate, Mech Ra ≤ 0.8		9612389218		9612389218	9612389218
20	2	Nut	9611990353	9611990353	9611990353	9611990353	9611990353
21	2	Washer	9611992559	9611992559	9611992559	9611992559	9611992559



LKHI - Motor dependent parts

Pos	Qty	Denomination	LKHI IEC90	LKHI IEC100	LKHI IEC112	LKHI IEC132
5a	1	Compression ring with thread	9612133601	9612133602	9612133602	9612133605
5b	1	Compression ring without thread	9612133701	9612133702	9612133702	9612133705
6	6	Screw	9611993196	9611993196	9611993196	9611993197
6a	6	Washer	9611993199	9611993199	9611993199	9611993199
7	1	Shaft incl. pin, (pos.8)		9612132502	9612132502	9612132602
	1	Shaft incl. pin and retaining ring, (pos.8+9)	9612132402			
8	1	Connex pin	9611990622	9611990622	9611990622	9611990622
9	1	Retaining ring	9611992307			
2	1	Shroud	9612139001	9612139002	9612139003	9612139008
3	4	Screw	9611993240	9611993240	9611993240	9611993240
16	1	Adaptor	9612342301	9612342401	9612342401	9612342501
17	4	Screw for adaptor	9611992161	9611991834	9611991834	9611992162
18	4	Nut for adaptor	9611990353	9611990587	9611990587	9611990587
19	4	Washer for adaptor	9611991887	9611990676	9611990676	9611990676
10	1	Safety guard set	9614077401	9614077402	9614077402	9614077403
11	1	Screw for safety guard	9611993239	9611993239	9611993239	9611993239
30a	1	Support bar, right	9612132201	9612132205	9612132205	9612132206
30b	1	Support bar, left	9612132301	9612132305	9612132305	9612132306
47	4	Leg	9612396701	9612396701	9612396701	9612396701
48	4	Screw	9611991126	9611991126	9611991126	9611991126
50	4	Nut	9611990360	9611990353	9611990353	9611990353
49	4	Spring washer	9611991888	9611991887	9611991887	9611991887
51	4	Screw	9611993241	9611991374	9611991911	9611991911
52	4	Washer		9611990786	9611990786	9611990786
54	4	Nut		9611990587		
46	4	Distance sleeve		9611992737		9611992737

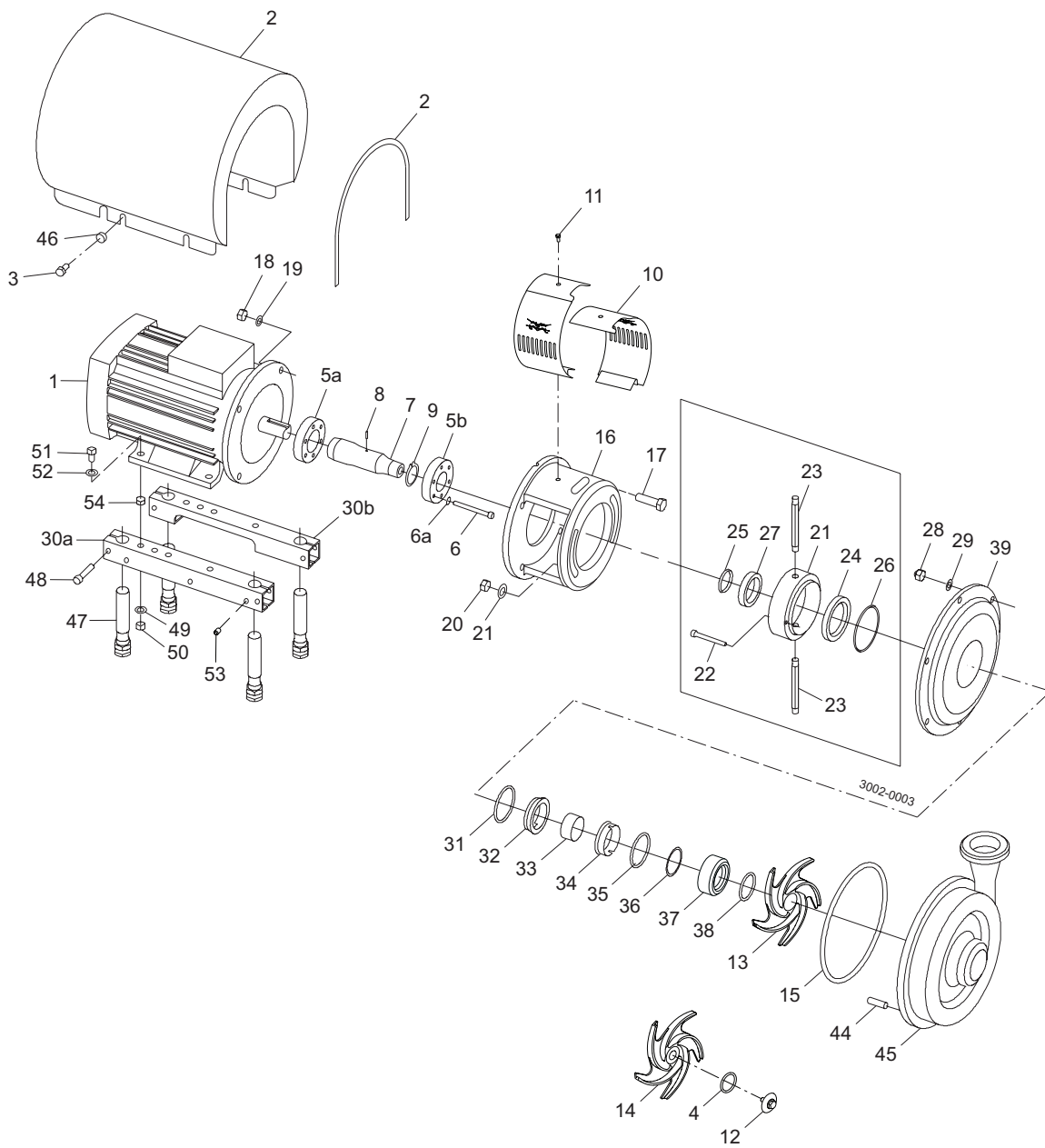
Pos	Qty	Denomination	LKHI IEC160	LKHI IEC180	LKHI IEC200
5a	1	Compression ring with thread	9612133603	9612133604	9612133607
5b	1	Compression ring without thread	9612133703	9612133704	9612133707
6	6	Screw	9611993198	9611993198	9611993198
6a	6	Washer	9611993199	9611993199	9611993199
7	1	Shaft incl. pin, (pos.8)	9612132702	9612132802	9612232902
8	1	Connex pin	9611990622	9611990622	9611990622
2	1	Shroud	9612139005	9612139006	9612593801
3	4	Screw	9611993241	9611993243	9611993243
16	1	Adaptor	9612342601	9612342601	9612342701
17	4	Screw for adaptor	9611992163	9611992164	9611992164
18	4	Nut for adaptor	9611992160	9611992160	9611992160
19	4	Washer for adaptor	9611991886	9611991886	9611991886
10	1	Safety guard set	9614077404	9614077404	9614077404
11	1	Screw for safety guard	9611993239	9611993239	9611993239
30a	1	Support bar, right	9612132203	9612132204	9612342201
30b	1	Support bar, left	9612132303	9612132304	9612342201
47	4	Leg	9612396701	9612396701	9612396701
48	4	Screw	9611991126	9611991126	9611991907
50	4	Nut	9611990587	9611990587	9611990587
49	4	Spring washer	9611990676	9611990676	9611990676
51	4	Screw	9611991834	9611991834	9611993680
52	4	Washer	9611990706	9611990706	9611990703
46	4	Distance sleeve	3143803902	3143803901	3143803903
53	4	Pivot screw			9611991763



LKHI - Motor dependent parts

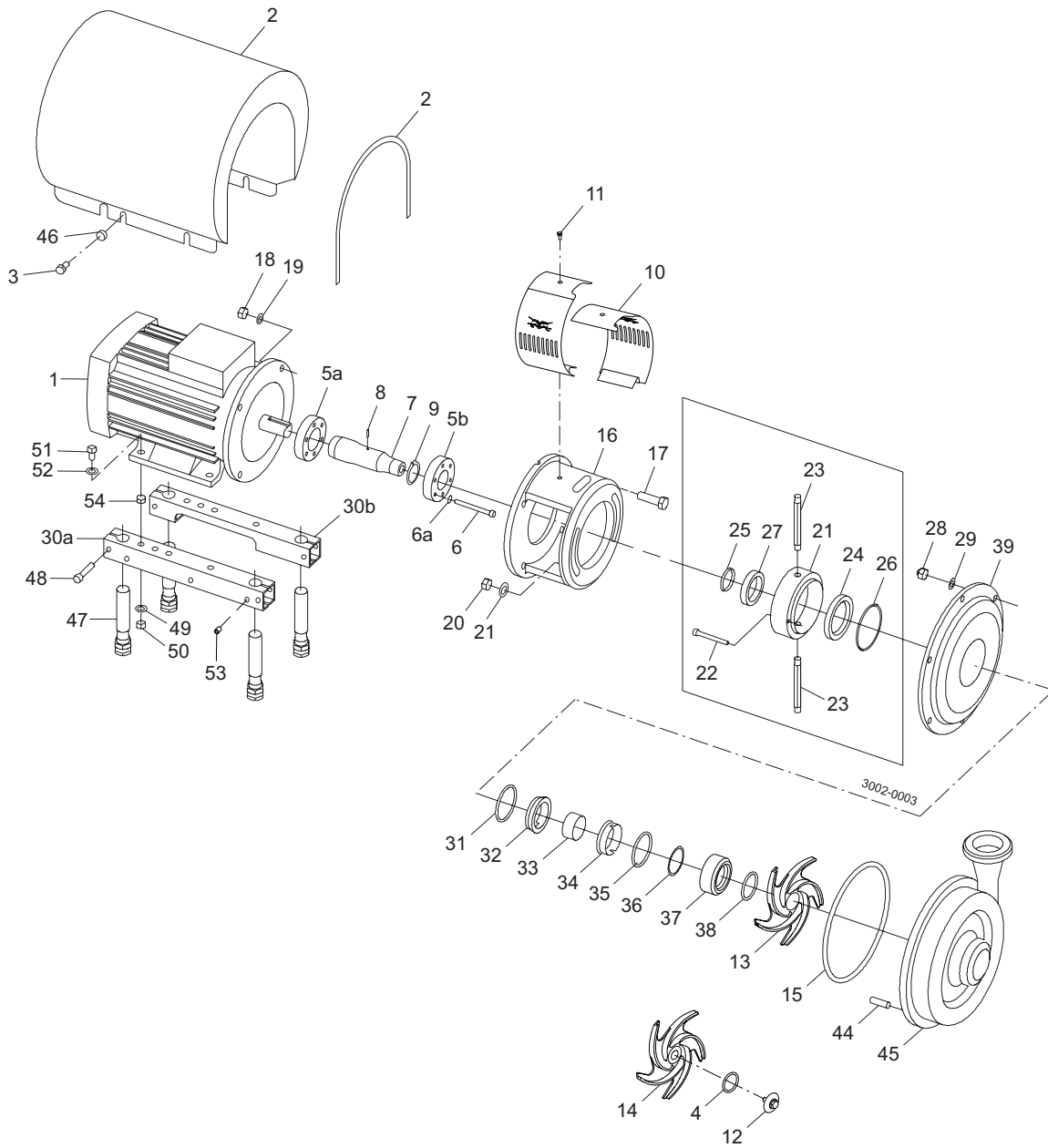
Pos	Qty	Denomination	1.5 kW IEC90	2.2 kW IEC90	3 kW IEC100	4 kW IEC112	5.5 kW IEC132	7.5 kW IEC132
0-10 bar								
1	1	Motor ABB, 3000rpm	9614303003	9614303004	9614303005	9614303006	9614303007	9614303008
Pos	Qty	Denomination	11 kW IEC160	15 kW IEC160	18.5 kW IEC160	22 kW IEC180	30 kW IEC200	
0-10 bar								
1	1	Motor ABB, 3000rpm	9614303009	9614303010	9614303011	9614303028	9614303013	
Pos	Qty	Denomination	1.5 kW IEC90	2.2 kW IEC90	3 kW IEC100	4 kW IEC112	5.5 kW IEC132	7.5 kW IEC132
10-16 bar (Motors are with special ball bearing)								
1	1	Motor ABB, 3000rpm		9614289501		9614289502	9614289503	9614289504
Pos	Qty	Denomination	11 kW IEC160	15 kW IEC160	18.5 kW IEC160	22 kW IEC180	30 kW IEC200	
10-16 bar (Motors are with special ball bearing)								
1	1	Motor ABB, 3000rpm	9614289505	9614289506	9614289507	9614289508	9614289510	

3 ~, 50 Hz, 230VD/400VY - Standard ≤ 22 kW and 400VD/690VY Standard > 22 kW
 3 ~, 60 Hz, 220VD/440-460VY - Standard ≤ 22 kW and 440-460VD Standard > 22 kW



LKHI - Shaft seal and service kits

Pos	Qty	Denomination	LKHI 10/15/20	LKHI 25/35/40/45/50/60	
Parts for flushed shaft seal					
21	1	Seal housing	9612362601	9612362602	
22	2	Screw	9611990203	9611994038	
23	2	Tube	9612358901	9612358907	
27	1	◆◆■⊙ Sleeve			
33	1	Spacing ring	9612362502	9612362502	
37	1	Rotating seal housing	9612362401	9612362401	
<hr/>					
Pos	Qty	Denomination	EPDM	NBR	FPM
Shaft seal complete					
□○		Single shaft seal, (0-10 bar) C/SiC	9612362201	9612362202	9612362203
31	1	O-ring			
32	1	Stationary seal ring, SiC			
34	1	Rotating seal ring			
35	1	Quad ring			
36	1	PTFE support ring			
38	1	Quad ring			
Shaft seal complete					
◆●		Single shaft seal, (0-16 bar) SiC/SiC	9612362204	9612362205	9612362206
31	1	O-ring			
32	1	Stationary seal ring, SiC			
34	1	Rotating seal ring, SiC			
35	1	Quad ring			
36	1	PTFE support ring			
38	1	Quad ring			
Shaft seal complete					
◆■		Flushed shaft seal, (0-10 bar) C/SiC	9612362207	9612362208	9612362209
24	1	Lip seal			
25	1	O-ring, EPDM			
26	1	O-ring, EPDM			
31	1	O-ring			
32	1	Stationary seal ring, SiC			
34	1	Rotating seal ring, SiC			
35	1	Quad ring			
36	1	PTFE support ring			
38	1	Quad ring			
Shaft seal complete					
◆⊙		Flushed shaft seal, (0-16 bar) SiC/SiC	9612362210	9612362211	9612362212
24	1	Lip seal			
25	1	O-ring, EPDM			
26	1	O-ring, EPDM			
31	1	O-ring			
32	1	Stationary seal ring, SiC			
34	1	Rotating seal ring, SiC			
35	1	Quad ring			
36	1	PTFE support ring			
38	1	Quad ring			



		EPDM	NBR	FPM
Service kit for single shaft seal C/SIC (0-10 bar)				
□	Service kit, C/SIC (LKHI -10/15)	9611922254	9611922255	9611922256
□	Service kit, C/SIC (LKHI -20)	9611922266	9611922267	9611922268
□	Service kit, C/SIC (LKHI -25/35/45)	9611922278	9611922279	9611922280
□	Service kit, C/SIC (LKHI -40/50/60)	9611922290	9611922291	9611922292
Service kit for single shaft seal SIC/SIC (0-16 bar)				
✧	Service kit, SIC/SIC (LKHI -10/15)	9611922139	9611922140	9611922141
✧	Service kit, SIC/SIC (LKHI -20)	9611922151	9611922152	9611922153
✧	Service kit, SIC/SIC (LKHI -25/35/45)	9611922194	9611922195	9611922196
✧	Service kit, SIC/SIC (LKHI -40/50/60)	9611922163	9611922164	9611922165
Service kit for single shaft seal and impeller screw C/SIC (0-10 bar)				
○	Service kit, C/SIC (LKHI -10/15)	9611922257	9611922258	9611922259
○	Service kit, C/SIC (LKHI -20)	9611922269	9611922270	9611922271
○	Service kit, C/SIC (LKHI -25/35/45)	9611922281	9611922282	9611922283
○	Service kit, C/SIC (LKHI -40/50/60)	9611922293	9611922294	9611922295
Service kit for single shaft seal and impeller screw SIC/SIC (0-16 bar)				
●	Service kit, SIC/SIC (LKHI -10/15)	9611922142	9611922143	9611922144
●	Service kit, SIC/SIC (LKHI -20)	9611922154	9611922155	9611922156
●	Service kit, SIC/SIC (LKHI -25/35/45)	9611922197	9611922198	9611922199
●	Service kit, SIC/SIC (LKHI -40/50/60)	9611922166	9611922167	9611922168
Service kit for flushed shaft seal C/SIC (0-10 bar)				
◆	Service kit, C/SIC (LKHI -10/15)	9611922260	9611922261	9611922262
◆	Service kit, C/SIC (LKHI -20)	9611922272	9611922273	9611922274
◆	Service kit, C/SIC (LKHI -25/35/45)	9611922284	9611922285	9611922286
◆	Service kit, C/SIC (LKHI -40/50/60)	9611922296	9611922297	9611922298
Service kit for flushed shaft seal SIC/SIC (0-16 bar)				
◇	Service kit, SIC/SIC (LKHI -10/15)	9611922145	9611922146	9611922147
◇	Service kit, SIC/SIC (LKHI -20)	9611922157	9611922158	9611922159
◇	Service kit, SIC/SIC (LKHI -25/35/45)	9611922200	9611922201	9611922202
◇	Service kit, SIC/SIC (LKHI -40/50/60)	9611922169	9611922170	9611922171
Service kit for flushed shaft seal and impeller screw C/SIC (0-10 bar)				
■	Service kit, C/SIC (LKHI -10/15)	9611922263	9611922264	9611922265
■	Service kit, C/SIC (LKHI -20)	9611922275	9611922276	9611922277
■	Service kit, C/SIC (LKHI -25/35/45)	9611922287	9611922288	9611922289
■	Service kit, C/SIC (LKHI -40/50/60)	9611922299	9611922300	9611922301
Service kit for flushed shaft seal and impeller screw SIC/SIC (0-16 bar)				
◎	Service kit, SIC/SIC (LKHI -10/15)	9611922148	9611922149	9611922150
◎	Service kit, SIC/SIC (LKHI -20)	9611922160	9611922161	9611922162
◎	Service kit, SIC/SIC (LKHI -25/35/45)	9611922203	9611922204	9611922205
◎	Service kit, SIC/SIC (LKHI -40/50/60)	9611922172	9611922173	9611922174

Parts marked with □◆◇◇◇■●◎ are included in the service kits. Recommended spare parts: Service kits.^(900601/13)

Conversion kit single to flushed shaft seal : Please order Flushed service kit + pos. 21 + 22 + 23

How to contact Alfa Laval

Contact details for all countries are continually updated on our website.

Please visit www.alfalaval.com to access the information directly.

© Alfa Laval Corporate AB

This document and its contents is owned by Alfa Laval Corporate AB and protected by laws governing intellectual property and thereto related rights. It is the responsibility of the user of this document to comply with all applicable intellectual property laws. Without limiting any rights related to this document, no part of this document may be copied, reproduced or transmitted in any form or by any means (electronic, mechanical, photocopying, recording, or otherwise), or for any purpose, without the expressed permission of Alfa Laval Corporate AB. Alfa Laval Corporate AB will enforce its rights related to this document to the fullest extent of the law, including the seeking of criminal prosecution.