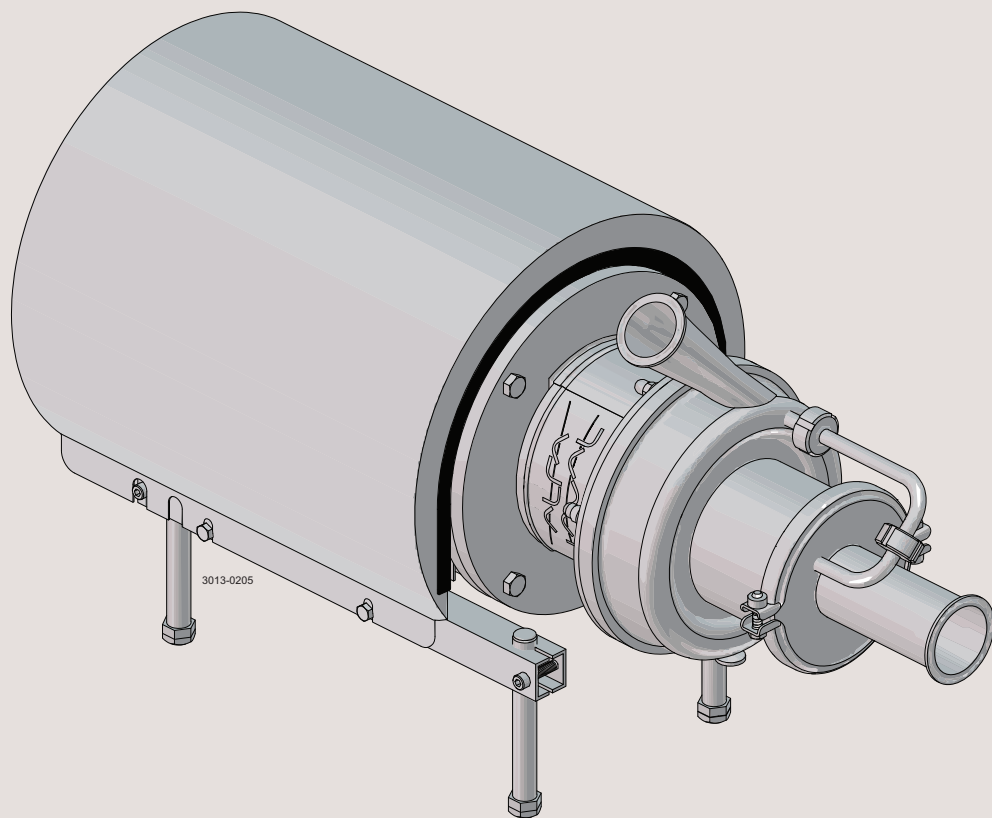




## Spare Parts

### LKH Prime UltraPure Pump



ESE03180-EN5 2021-07

Original manual

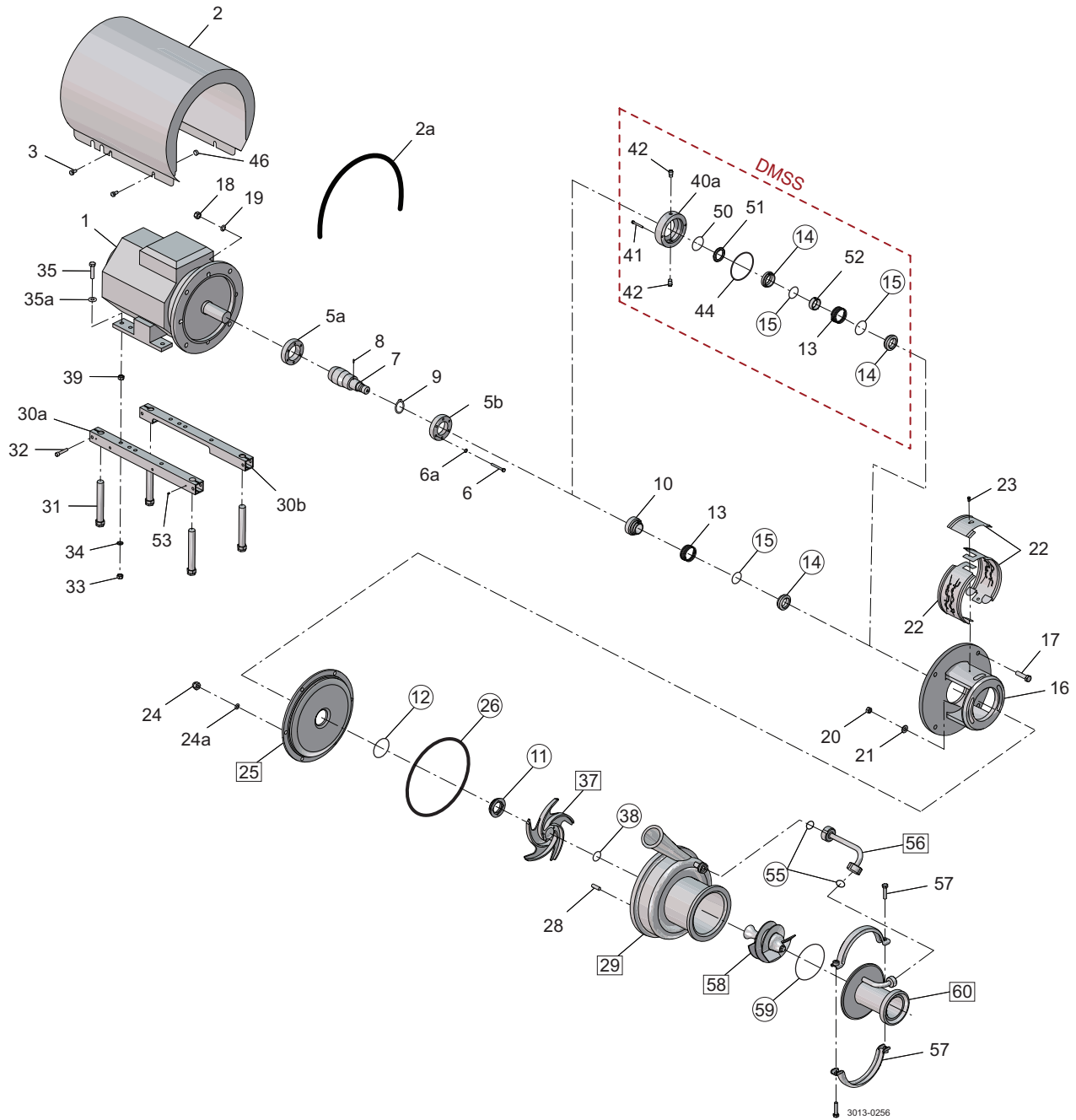


## Table of contents

---

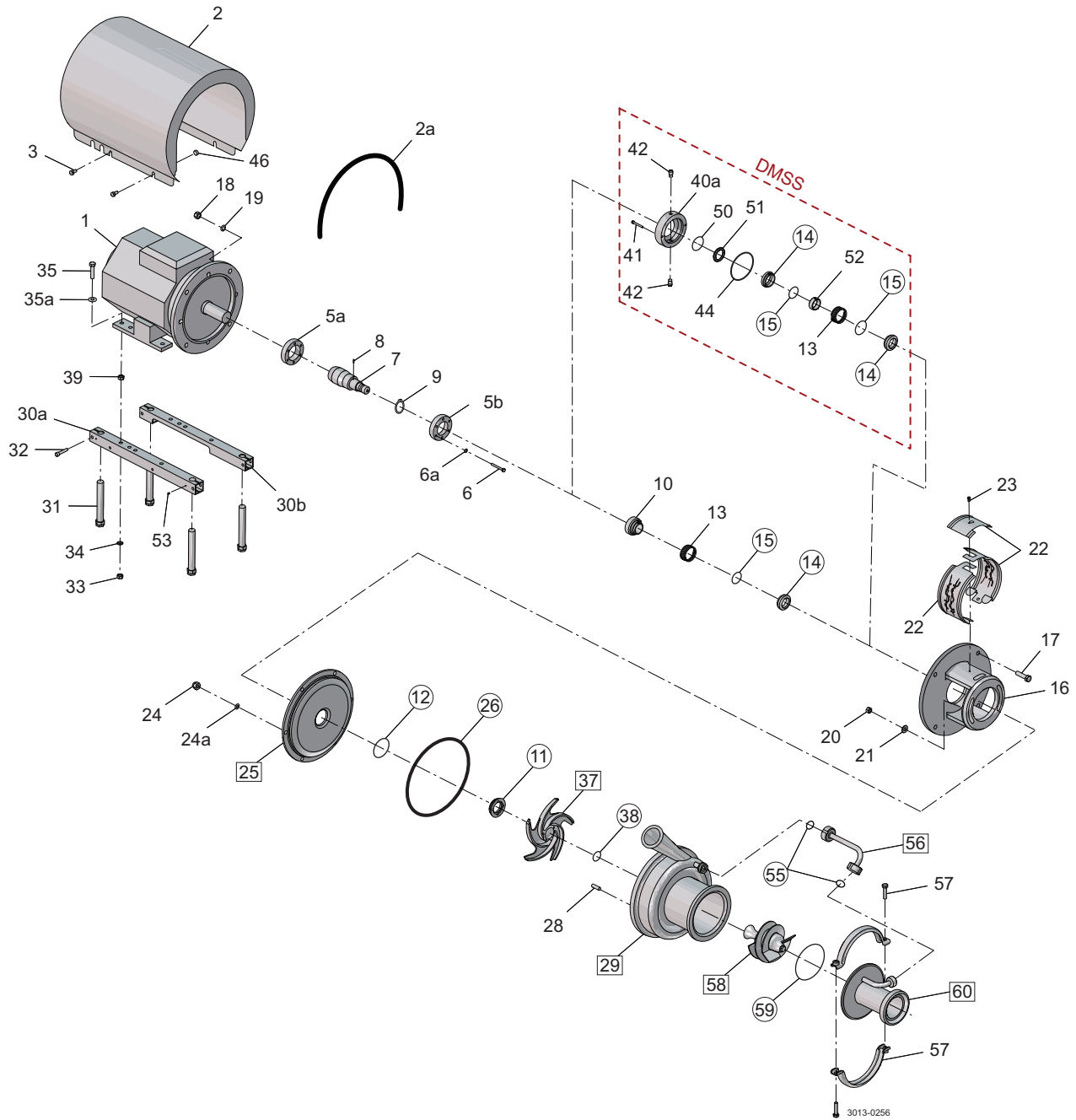
*The information herein is correct at the time of issue but may be subject to change without prior notice*

1. LKH Prime UltraPure - Wet end .....	4
2. LKH Prime UltraPure - Motor dependent parts .....	8
3. LKH Prime UltraPure - Shaft seal and service kits .....	10



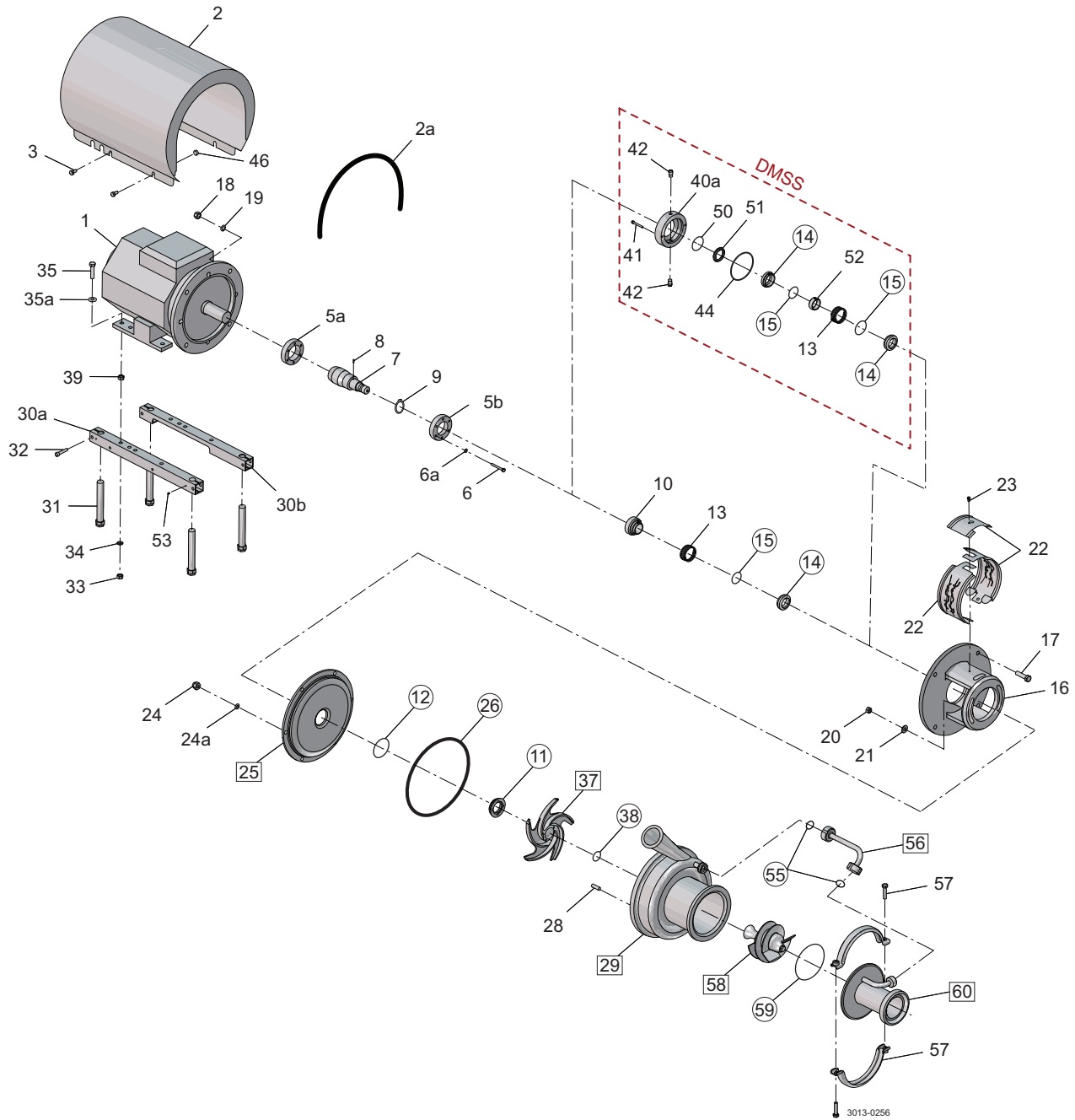
- Product wetted non-metallic parts
- Product wetted metallic parts

Pos	Qty	Denomination	LKH Prime UP-10 IEC90-IEC110	LKH Prime UP-20 IEC100- IEC160
<b>Casing Mech Ra ≤ 0.8, 45deg outlet, 1/2" drain</b>				
29	1	Connections and drain, ferrule Tri-clamp for ASME BPE .....	9615264801	9615264802
<b>Casing Mech Ra ≤ 0.5, 45deg outlet, 1/2" drain</b>				
	1	Connections and drain, ferrule Tri-clamp for ASME BPE .....	9615264813	9615264814
<b>Casing Mech Ra ≤ 0.4 EP, 45deg outlet, 1/2" drain</b>				
	1	Connections and drain, ferrule Tri-clamp for ASME BPE .....	9615264825	9615264826
Note: For article numbers on casing specifications not listed above. Please contact your local Alfa Laval partner.				
Note: Heat certificates can be downloaded from <a href="http://www.alfalaval.com/certificates">www.alfalaval.com/certificates</a>				
<b>Cover complete, Mech Ra ≤ 0.8</b>				
60	1	Ferrule Tri-clamp, for ASME BPE .....	9615265101	9615265102
<b>Cover complete, Mech Ra ≤ 0.5</b>				
	1	Ferrule Tri-clamp, for ASME BPE .....	9615265113	9615265114
<b>Cover complete, EP Ra ≤ 0.4 my m</b>				
	1	Ferrule Tri-clamp, for ASME BPE .....	9615265125	9615265126



- Product wetted non-metallic parts
- Product wetted metallic parts

Pos	Qty	Denomination	LKH Prime UP-10 IEC90-IEC110	LKH Prime UP-20 IEC100- IEC160
24	6	Cap nut .....	9611992592	9611992592
24a	6	Washer .....	9611991888	9611991888
28	6	Boit .....	9611992168	9611992168
59	♦♦	1 O-ring, EPDM .....		
		1 O-ring, FPM .....		
		1 O-ring, FEP .....		
56	1	Recirculation pipe, Mech Ra ≤ 0.8 .....	9615202006	9615202006
	1	Recirculation pipe, Mech Ra ≤ 0.5 .....	9615202001	9615202001
	1	Recirculation pipe, EP Ra ≤ 0.4 .....	9615202002	9615202002
55	♦♦	2 O-ring, EPDM .....		
		2 O-ring, FPM .....		
		2 O-ring, FEP .....		
57	1	Clamp set .....	9611311057	9611311057
58	1	Air screw, Mech Ra ≤ 0.8 .....	9615491908	9615216508
	1	Air screw, Mech Ra ≤ 0.5 .....	9615491905	9615216505
	1	Air screw, EP Ra ≤ 0.4 .....	9615491906	9615216506
37	1	Impeller, Mech Ra ≤ 0.8 .....	8010000654	9612131419
	1	Impeller, Mech Ra ≤ 0.5 .....	8010000651	9612131406
	1	Impeller, EP Ra ≤ 0.4 .....	8010000652	9612131415
25	1	Backplate compl, Mech Ra ≤ 0.8 .....	9612633211	9612633212
	1	Backplate compl, Mech Ra ≤ 0.5 .....	9612633201	9612633202
	1	Backplate compl, EP Ra ≤ 0.4 .....	9612633206	9612633207
20	1	Nut .....	9611990353	9611990353
21	2	Washer .....	9611992559	9611992559
26	♦♦	1 Pump casing O-ring, EPDM .....		
		1 Pump casing O-ring, FPM .....		
		1 Pump casing O-ring, FEP .....		
38	♦♦	1 O-ring impeller, EPDM .....		
		1 O-ring impeller, FPM .....		
		1 O-ring impeller, FEP .....		



3013-0256

- Product wetted non-metallic parts
- Product wetted metallic parts



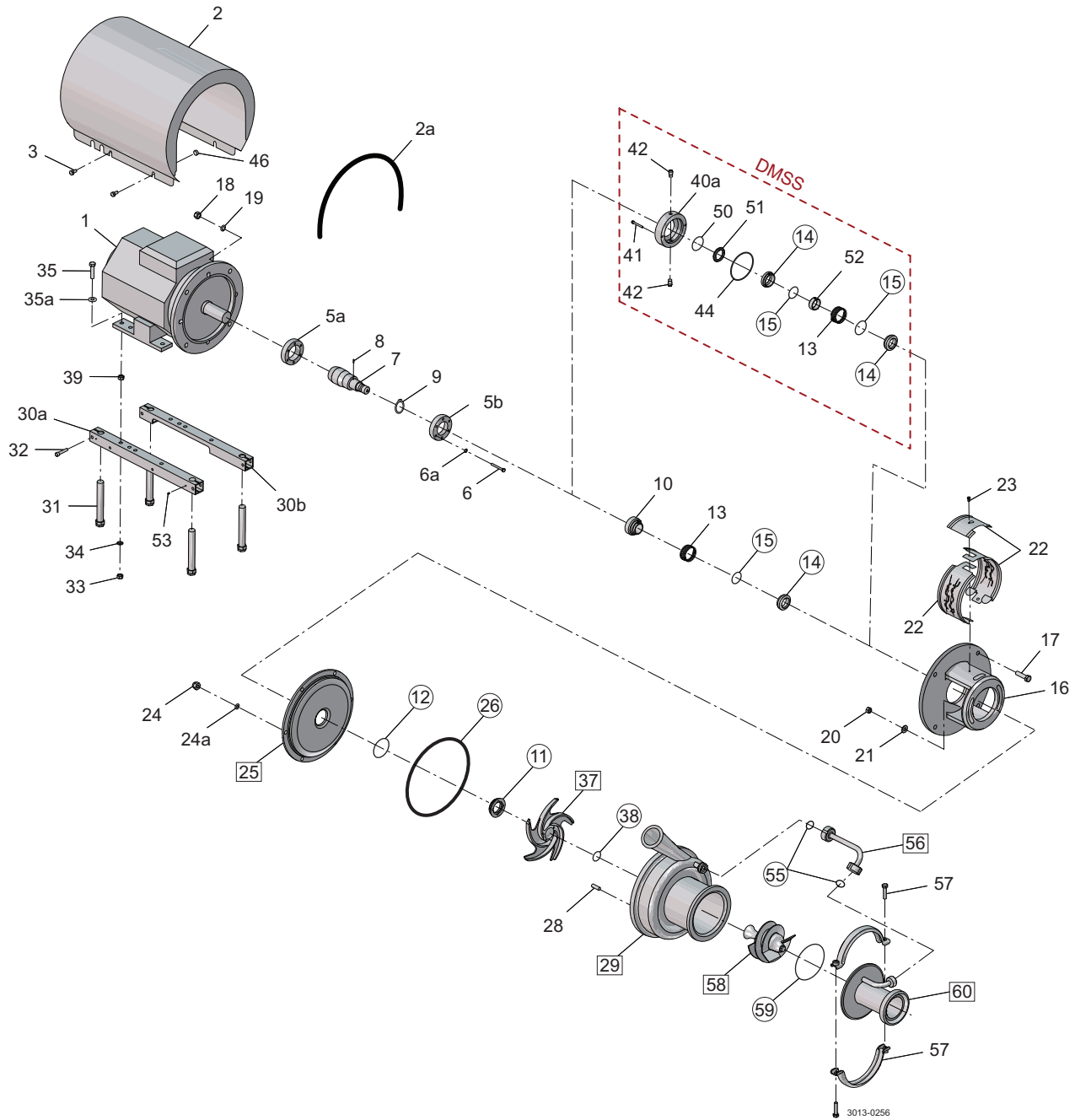
**LKH Prime UltraPure - Motor dependent parts**

Pos	Qty	Denomination	IEC90	IEC100	IEC112	IEC132	IEC160
7	1	Shaft .....	9615230401	9615230402	9615230402	9615230403	9615230404
9	1	Retaining ring, (included in pos 7) .....	9611992307				
8	1	Connex pin, (included in pos 7) .....	9611990622	9611990622	9611990622	9611990622	9611990622
5a	1	Compression ring, with thread .....	9612133601	9612133602	9612133602	9612133605	9612133603
5b	1	Compression ring, without thread .....	9612133701	9612133702	9612133702	9612133705	9612133703
6	6	Screw .....	9611993196	9611993196	9611993196	9611993197	9611993198
6a	6	Washer .....	9611993199	9611993199	9611993199	9611993199	9611993199
16	1	Adapter .....	9612342301	9612342401	9612342401	9612342501	9612342601
17	4	Screw for adapter .....	9611992161	9611991834	9611991834	9611992162	9611992163
18	4	Nut for adapter .....	9611990353	9611990587	9611990587	9611990587	9611992160
19	4	Washer for adapter .....	9611991887	9611990676	9611990676	9611990676	9611991886
22	1	Safety guard set .....	9614077401	9614077402	9614077402	9614077403	9614077404
23	1	Screw for safety guard .....	9611993239	9611993239	9611993239	9611993239	9611993239
30a	1	Support bar, right .....	9612132201	9612132205	9612132205	9612132206	9612132203
30b	1	Support bar, left .....	9612132301	9612132305	9612132305	9612132306	9612132303
31	4	Legs .....	9612396702	9612396702	9612396702	9612396702	9612396702
32	4	Screw .....	9611991126	9611991126	9611991126	9611991126	9611991126
33	4	Nut .....	9611990360	9611990353	9611990353	9611990353	9611990587
34	4	Spring washer .....	9611991888	9611991887	9611991887	9611991887	9611990676
35	4	Screw .....	9611993241	9611991911	9611991911	9611991911	9611991834
35a	4	Washer .....		9611990786	9611990786	9611990786	9611990706
39	4	Nut .....		9611990587			
<b>Shroud (option)</b>							
2	1	Shroud .....	9612139001	9612139002	9612139003	9612139008	9612139005
3	4	Screw .....	9611993240	9611993240	9611993240	9611993240	9611993241
46	4	Distance sleeve .....		9611992737		9611992737	3143803902

Pos	Qty	Denomination	1.5 kW	2.2 kW	3 kW	4 kW	5.5 kW
			IEC90	IEC90	IEC100	IEC112	IEC132
1	1	Motor ABB, 3000rpm .....	9614303003	9614303004	9614303005	9614303006	9614303007

Pos	Qty	Denomination	7.5 kW	11 kW
			IEC132	IEC160
1	1	Motor ABB, 3000rpm .....	9614303008	9614303009

3 ~, 50 Hz, 230VD/400-415VY - Standard ≤ 22 kW  
 3 ~, 60 Hz, 440-460VY - Standard ≤ 22 kW



- Product wetted non-metallic parts
- Product wetted metallic parts

**LKH Prime UltraPure - Shaft seal and service kits**

Pos	Qty	Denomination	EPDM	FPM	FEP
<b>Accessories</b>					
	1	Tool complete .....	9612137101		
10	1	Drive ring, Single shaft seal steel .....	9614206001		
<b>Parts for double mechanical shaft seal</b>					
40a	1	Seal housing .....	9612133902		
41	2	Screw for seal housing .....	9611990203		
42	2	Fittings .....	9611992323		
<b>Single shaft seal SiC/SiC</b>					
	♦	Single shaft seal, SiC/SiC .....			
11	1	Stationary seal ring, SiC .....			
12	1	O-ring .....			
13	1	Spring .....			
14	1	Rotating seal ring, SiC .....			
15	1	O-ring .....			
<b>Double mechanical shaft seal SiC/SiC</b>					
	•	Double mechanical shaft seal, SiC/SiC .....			
11	1	Stationary seal ring, SiC, SiC .....			
12	1	O-ring .....			
13	1	Spring .....			
14	2	Rotating seal ring, SiC .....			
15	2	O-ring .....			
44	1	O-ring for seal housing .....			
50	1	O-ring .....			
52	1	Drive ring .....			

			EPDM	FPM	FEP
<b>Service kit for single shaft seal</b>					
♦		Service kit LKH Prime UltraPure 10 (incl. Q-doc) .....	8010001223	8010001224	8010001225
♦		Service kit LKH Prime UltraPure 20 (incl. Q-doc) .....	9611927187	9611927188	9611927191
<b>Service kit for double mechanical shaft</b>					
•		Service kit LKH Prime UltraPure 10 (incl. Q-doc) .....	8010001226	8010001227	8010001228
•		Service kit LKH Prime UltraPure 20 (incl. Q-doc) .....	9611927189	9611927190	9611927192

Note: All service kits are as standard delivered with Q-doc, including 3.1 certification on product wetted steel parts and declarations of conformity.  
 Parts marked with ♦♦ are included in the service kits.  
 Conversion kit single to double mechanical shaft seal : Please order double mechanical service kit + pos. 40a + 41 + 42.  
 Recommended spare parts: Service kits.  
 (900689/4)

**How to contact Alfa Laval**

Contact details for all countries are continually updated on our website.

Please visit [www.alfalaval.com](http://www.alfalaval.com) to access the information directly.

© Alfa Laval Corporate AB

This document and its contents is owned by Alfa Laval Corporate AB and protected by laws governing intellectual property and thereto related rights. It is the responsibility of the user of this document to comply with all applicable intellectual property laws. Without limiting any rights related to this document, no part of this document may be copied, reproduced or transmitted in any form or by any means (electronic, mechanical, photocopying, recording, or otherwise), or for any purpose, without the expressed permission of Alfa Laval Corporate AB. Alfa Laval Corporate AB will enforce its rights related to this document to the fullest extent of the law, including the seeking of criminal prosecution.