



Spare Parts

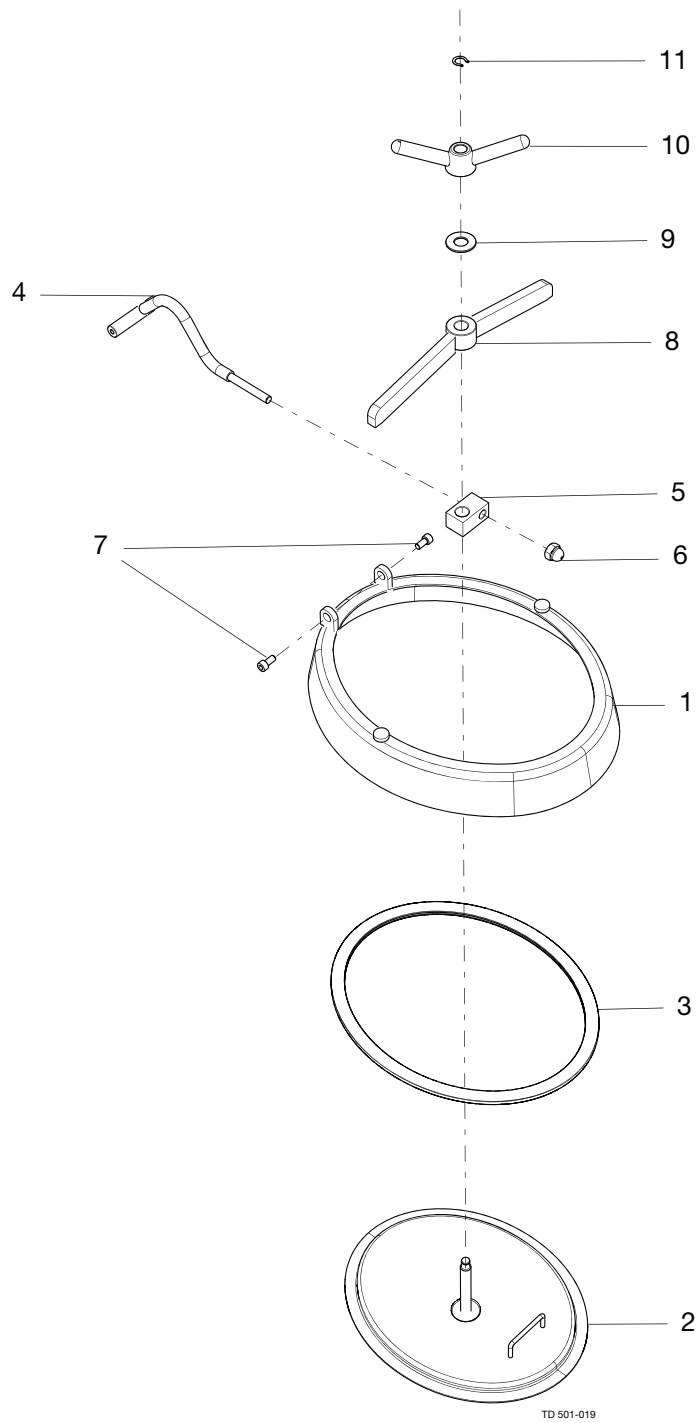
LKD Oval Manhole Cover 542 x 446 (Previously 546 x 447)

ESE03420-EN3 2021-09

Original manual

The information herein is correct at the time of issue but may be subject to change without prior notice

1. LKD Oval Manhole Cover 542 x 446 (Previously 546 x 447) 4



LKD Oval Manhole Cover 542 x 446 (Previously 546 x 447)

Pos	Qty	Denomination	1.4301	1.4404
1	1	Frame, 76 mm	9613456850	9613456851
2	1	Cover ¹⁾		
	1	Cover ²⁾	8010014452	8010014453
3	1	C-Seal, EPDM ³⁾	9613456854	9613456854
	1	C-Seal, NBR ³⁾	9613456855	9613456855
	1	C-Seal, FPM ³⁾	9613456856	9613456856
	1	C-Seal, Q ³⁾	9613456857	9613456857
	1	Square Seal, EPDM ⁴⁾	9614259001	9614259001
	1	Square Seal, NBR ⁴⁾	8010014454	8010014454
	1	Square Seal, FPM ⁴⁾	8010014456	8010014456
	1	Square Seal, Q ⁴⁾	8010014457	8010014457
4	1	Suspension arm	9613456858	9613456858
5	1	Hub	9613456860	9613456860
6	1	Nut	9613456865	9613456865
7	2	Screw	9613456861	9613456861
8	1	Toggle	9614209406	9614209406
9	1	Thrust plate	9613456863	9613456863
10	1	Top Nut	9612990783	9612990783
11	1	Retaining Ring	9613456862	9613456862

Recommended spare parts: Pos. 3.

¹⁾ Tank covers until September 1st 2021

²⁾ Tank covers after September 1st 2021

³⁾ Seal on tank covers until September 1st 2021

⁴⁾ Seal on tank covers after September 1st 2021

Note: When buying covers after September 1st 2021, please order square seals.

How to contact Alfa Laval

Contact details for all countries are continually updated on our website.

Please visit www.alfalaval.com to access the information directly.

© Alfa Laval Corporate AB

This document and its contents is owned by Alfa Laval Corporate AB and protected by laws governing intellectual property and thereto related rights. It is the responsibility of the user of this document to comply with all applicable intellectual property laws. Without limiting any rights related to this document, no part of this document may be copied, reproduced or transmitted in any form or by any means (electronic, mechanical, photocopying, recording, or otherwise), or for any purpose, without the expressed permission of Alfa Laval Corporate AB. Alfa Laval Corporate AB will enforce its rights related to this document to the fullest extent of the law, including the seeking of criminal prosecution.