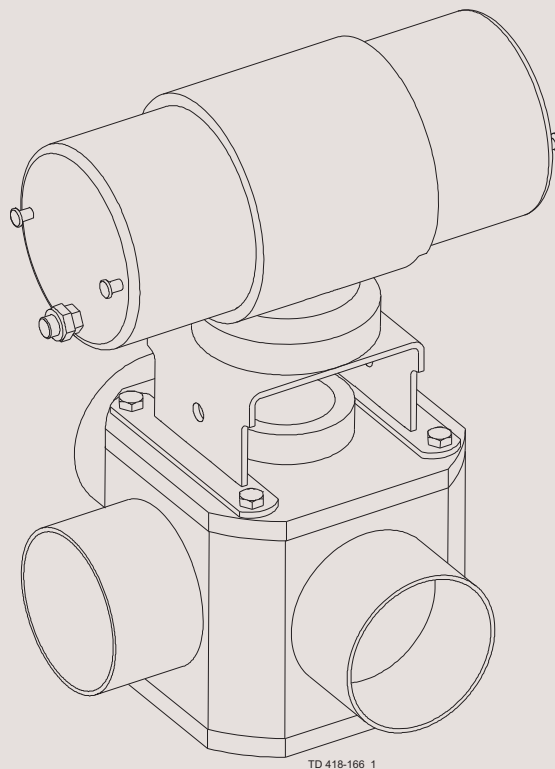




Spare Parts

Alfa Laval Koltek Valve



ESE00727-EN8

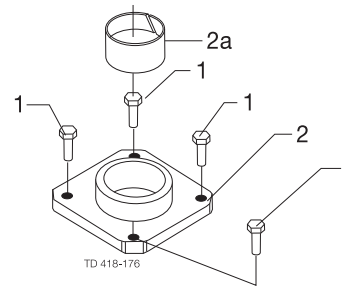
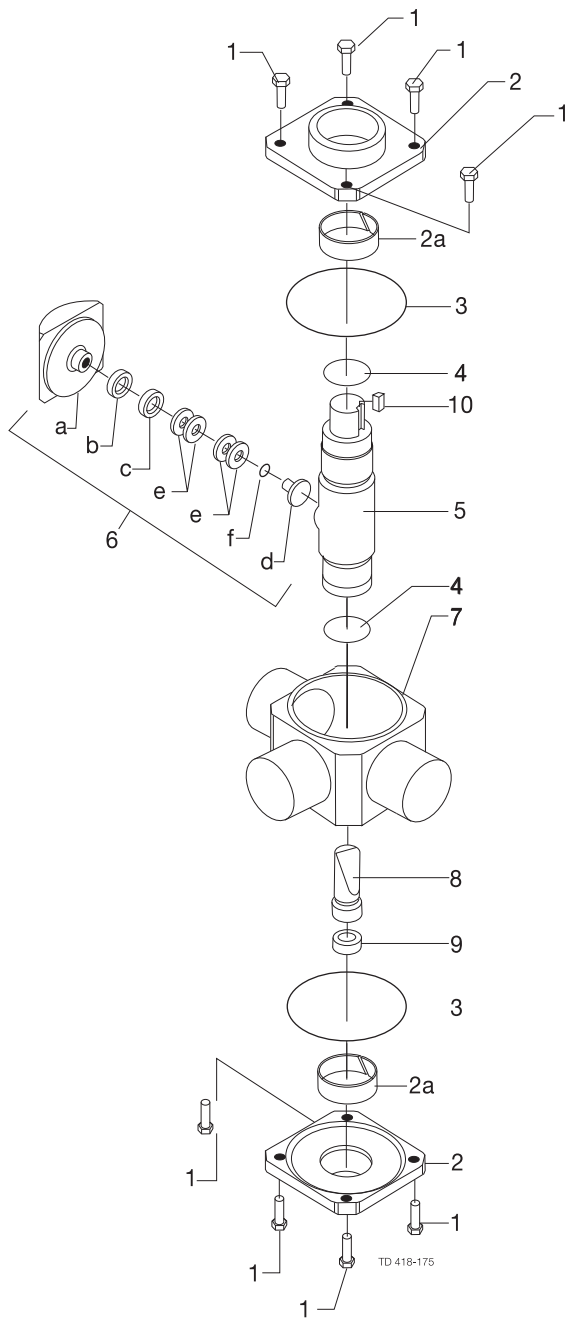
2021-02

Original manual

Table of contents

The information herein is correct at the time of issue but may be subject to change without prior notice

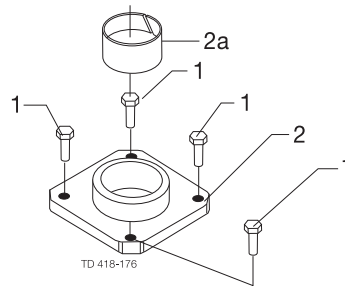
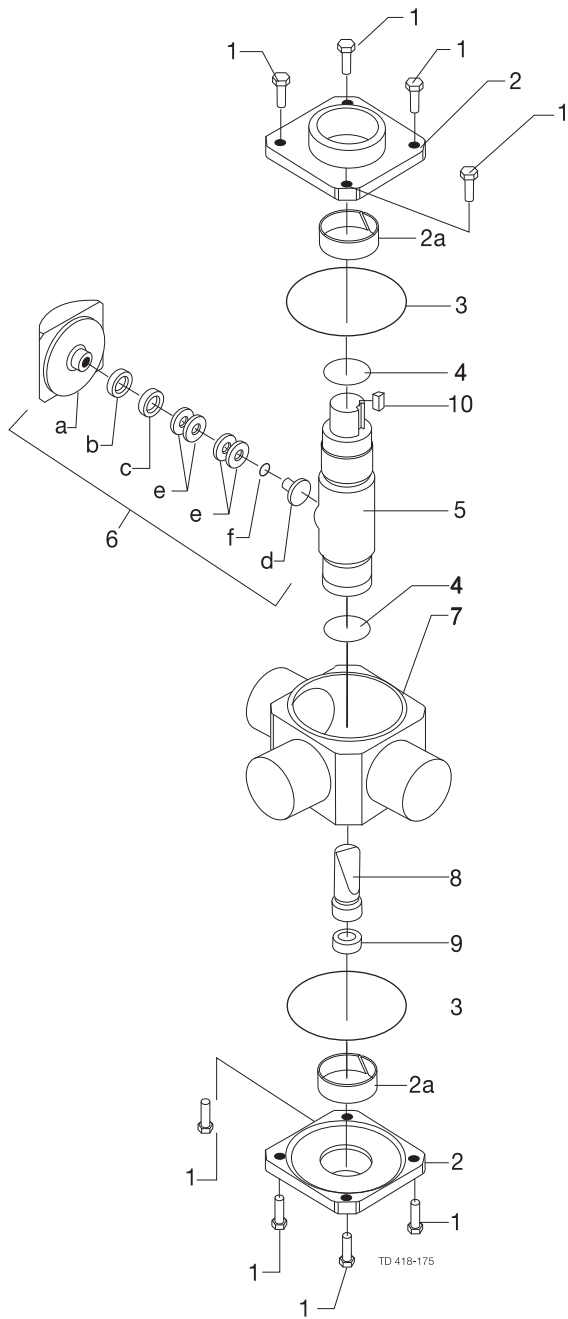
1. Koltek Valve	4
2. Handle for Koltek Valves	8
3. Koltek Actuator 630	10
4. Koltek Actuator 631	14
5. Koltek Actuator 632	16
6. Koltek Actuator 633	18
7. Koltek Laterally Fitted Indication	20



Bearing and lid for bearing

Pos	Qty	Denomination	25 mm DN25	38 mm DN40	51 mm DN50
1	8	Screw	9611993351	9611993351	9611990456
2	2	Lid for guide ring, (standard)	9612511101	9612511201	9612511302
	2	Lid for bearing ("Old type")	9612395102	9612395202	9612394902
2a	2	Guide ring, (standard)	9612511601	9612511602	9612511603
	2	Bearing, bronze (for "old lid")	9612395001	9612395002	9612395003
	2	Bearing, PTFE (for "old lid")	9612395701	9612395702	9612395703
3	♦	2 O-ring, EPDM (standard)			
	2	O-ring, NBR			
	2	O-ring, FPM			
4	♦	2 O-ring, EPDM (standard)			
	2	O-ring, NBR			
	2	O-ring, FPM			
5	1	Shaft, AISI 316L	9612262701	9612262801	9612262901
6	1	Shutter unit, PTFE/316L (standard)	9612264102	9612264202	9612264302
	1	Shutter unit, Flourosint/316L			
	1	Shutter unit, PTFE/FPM	9612264103	9612264203	9612264303
6a	□	1 Shutter, PTFE (standard)	9612394801	9612394802	9612394803
	1	Shutter, Flourosint			
	1	Shutter, PTFE/FPM	9612394815	9612394816	9612394817
6b	□	1 Seal ring	9612394301	9612394302	9612394303
6c	□	1 Support ring	9612394201	9612394202	9612394202
6d	1	Adjustment key	9612394401	9612394402	9612394402
6e	4	Cup spring	9611992315	9611992316	9611992316
6f	♦	1 O-ring			
7	1	Valve body, 2-way, ISO	9612265504	9612265604	9612265704
	1	Valve body, 3-way, ISO	9612265505	9612265605	9612265705
	1	Valve body, 2-way, DIN	9612444210	9612444510	9612448604
	1	Valve body, 3-way, DIN	9612444211	9612444511	9612448605
8	1	Tightening device	9612269001	9612451601	9612269201
9	1	Safety screw	9612400801	9612400801	9612269801
10	1	Wedge	9612436701	9612436701	9612436701

Pos	Qty	Denomination	63.5 mm	76 mm DN65	DN80	101.6 mm DN100
1	8	Screw	9611990456	9611991910		
	16	Screw			9611991910	9611991910
2	2	Lid for guide ring, (standard)	9612511402	9612511502	9612513402	9612513502
	2	Lid for bearing ("Old type")	9612395302	9612395402	9612395502	9612395602
2a	2	Guide ring, (standard)	9612511604	9612511604	9612511605	9612511605
	2	Bearing, bronze (for "old lid")	9612395004	9612395005	9612395006	9612395006
	2	Bearing, PTFE (for "old lid")	9612395704	9612395705	9612395706	9612395706
3	♦	2 O-ring, EPDM (standard)				
	2	O-ring, NBR				
	2	O-ring, FPM				
4	♦	2 O-ring, EPDM (standard)				
	2	O-ring, NBR				
	2	O-ring, FPM				
5	1	Shaft, AISI 316L	9612263001	9612263101	9612263201	9612263301
6	1	Shutter unit, PTFE/316L (standard)	9612264402	9612264502	9612264602	9612272902
	1	Shutter unit, Flourosint/316L				
	1	Shutter unit, PTFE/FPM	9612264403	9612264503	9612264603	
6a	□	1 Shutter, PTFE (standard)	9612394804	9612394805	9612394806	9612394807
	1	Shutter, Flourosint				
	1	Shutter, PTFE/FPM	9612394818	9612394819	9612394820	9612394821
6b	□	1 Seal ring	9612394303	9612394304	9612394305	9612394306
6c	□	1 Support ring	9612394202	9612394203	9612394204	9612394205
6d	1	Adjustment key	9612394403	9612394404	9612394405	9612394406
6e	4	Cup spring	9611992317	9611992318	9611992319	9611992320
6f	♦	1 O-ring				
7	1	Valve body, 2-way, ISO	9612268604	9612268704		9612268904
	1	Valve body, 3-way, ISO	9612268605	9612268705		9612268905
	1	Valve body, 2-way, DIN		9612445110	9612445410	9612445710
	1	Valve body, 3-way, DIN		9612445111	9612445411	9612445711
8	1	Tightening device	9612269301	9612269401	9612269501	9612269601
9	1	Safety screw	9612269801	9612269801	9612401501	9612401501
10	1	Wedge	9612436701	9612436701	9612449101	9612449101



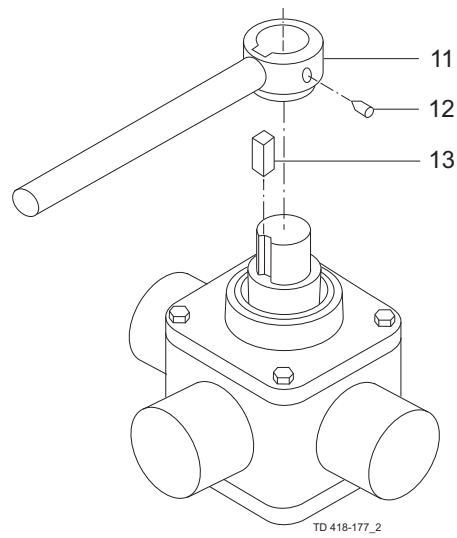
Bearing and lid for bearing

Koltek Valve

		25 mm DN25	38 mm DN40	51 mm DN50		
Service Kits for Shutterkit (6a+b+c)						
□	Service kit	9611924045	9611924046	9611924047		
Service Kits for Product wetted parts						
♦	Service kit EPDM	9611924052	9611924055	9611924058		
♦	Service kit NBR	9611924053	9611924056	9611924059		
♦	Service kit FPM	9611924054	9611924057	9611924060		
		63.5 mm	76 mm DN65	DN80	101.6 mm DN100	
Service Kits for Shutterkit (6a+b+c)						
□	Service kit	9611924048	9611924049	9611924050	9611924051	
Service Kits for Product wetted parts						
♦	Service kit EPDM	9611924061	9611924064	9611924067	9611924070	
♦	Service kit NBR	9611924062	9611924065	9611924068	9611924071	
♦	Service kit FPM	9611924063	9611924066	9611924069	9611924072	

Parts marked with □♦ are included in the service kit
 Recommended spare parts: service kit

900-117/2

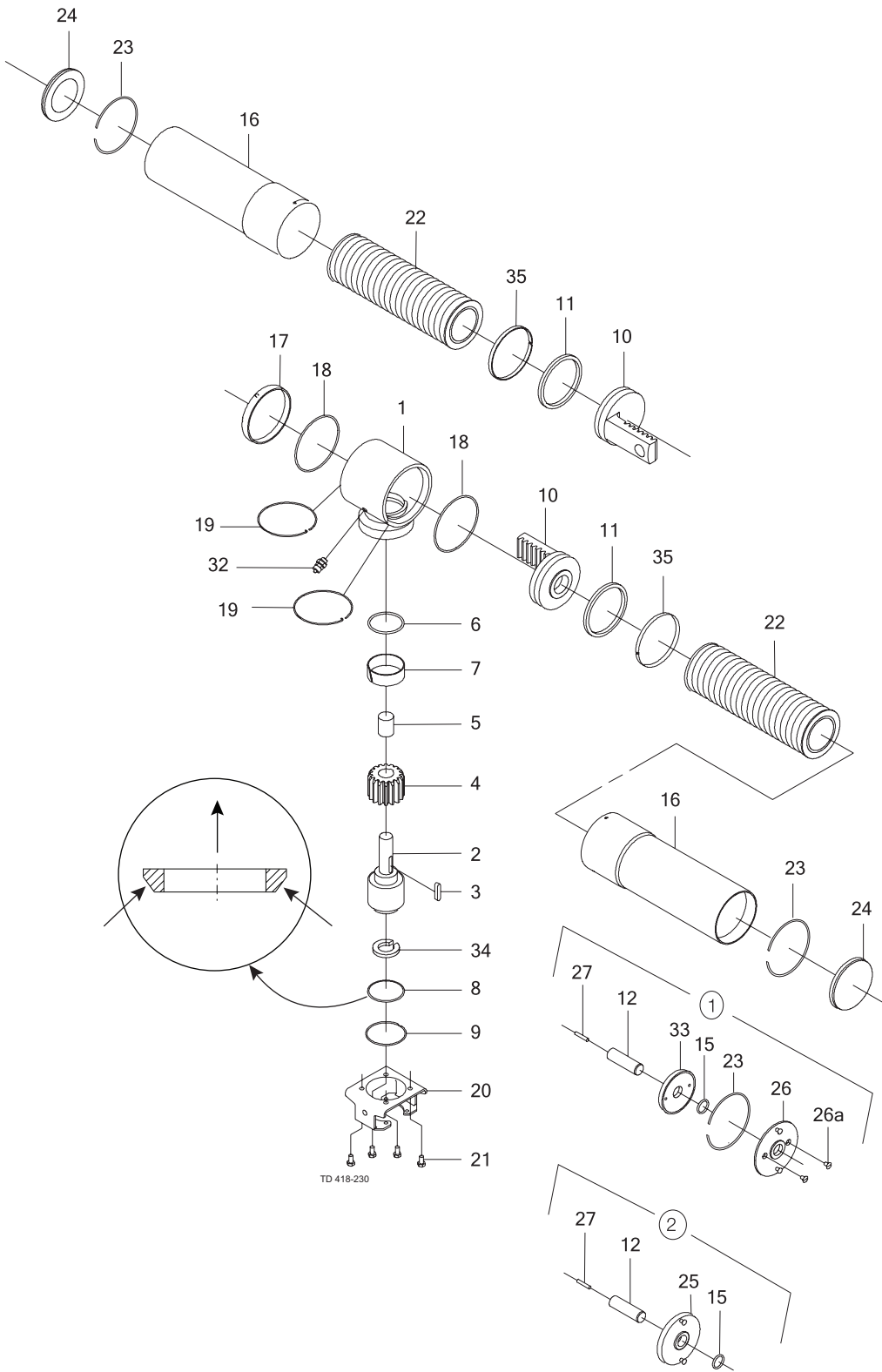


TD 418-177_2

Handle for Koltek Valves

Pos	Qty	Denomination	25-38 mm	51-63.5 mm	76 mm	101,6mm
			DN25-40	DN50-65		DN80-100
SMS, ISO, BS, DIN, DS						
11	1	Handle, 2-way (incl. pos. 12)				
12	1	Pointed screw				
13	1	Wedge	9612436701	9612436701	9612436701	9612449101
SMS, ISO, BS						
11	1	Handle, 3-way (incl. pos 12)	9612436201	9612436202	9612436203	9612449001
12	1	Pointed screw				
13	1	Wedge	9612436701	9612436701	9612436701	9612449101
DIN, DS						
11	1	Handle, 3-way (incl. pos 12)	9612436207	9612436208	9612436209	9612449003
12	1	Pointed screw				
13	1	Wedge	9612436701	9612436701	9612436701	9612449101

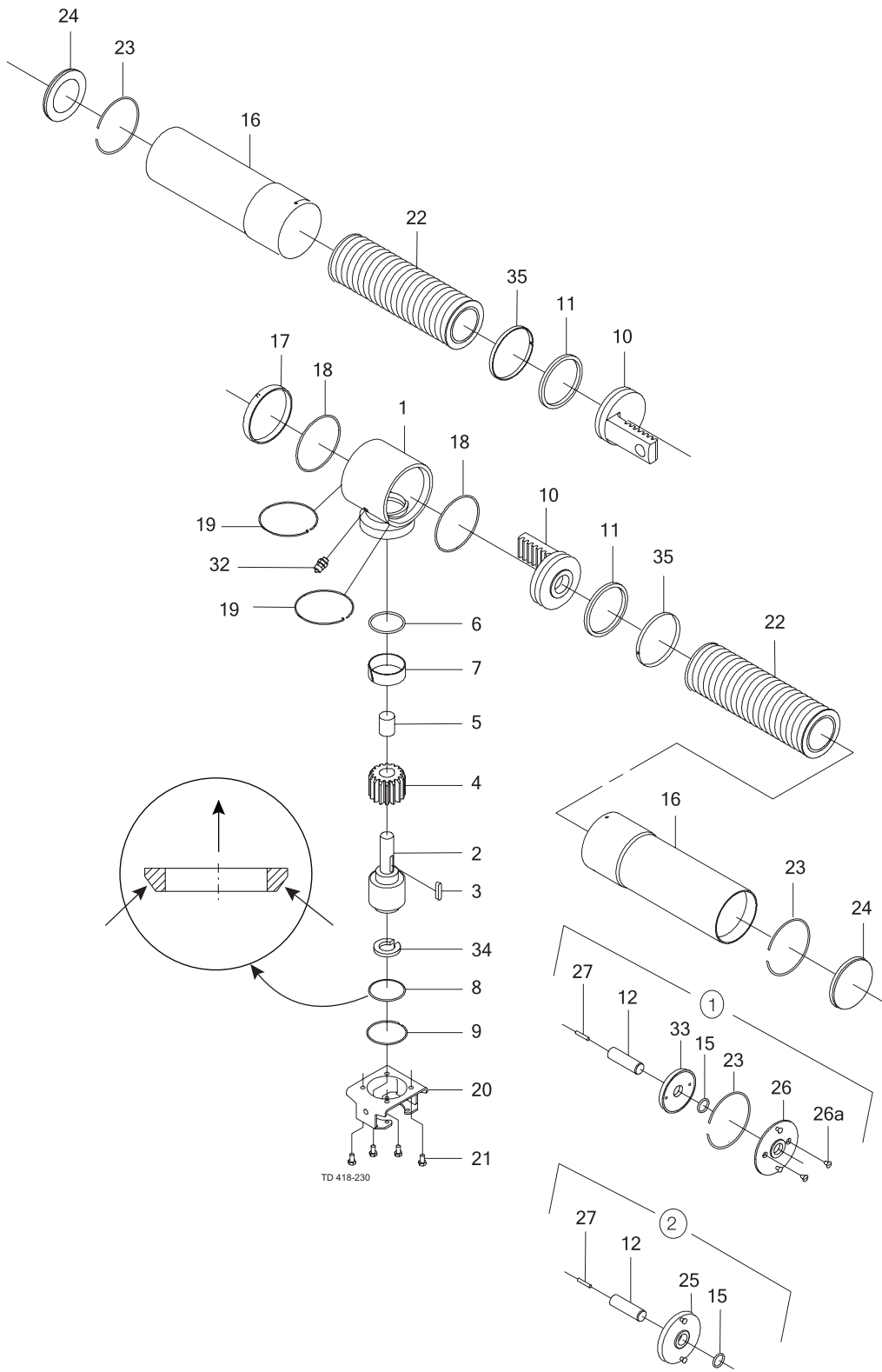
900119/2



①
With
indication
Sizes
63.5-76 mm
DN65

②
With
indication
Sizes
25-51 mm
DN25-50

Pos	Qty	Denomination	25-51 mm	With indication		With indication
			DN25-50	25-51 mm DN25-50	63.5-76 mm DN65	63.5-76 mm DN65
1	1	Chassis	9612480901	9612480901	9612480901	9612480901
2	1	Spindle	9612479601	9612479601	9612479601	9612479601
3	1	Wedge	9612493701	9612493701	9612493701	9612493701
4	1	Gear wheel	9612479501	9612479501	9612479501	9612479501
5	1	Bearing	9611993172	9611993172	9611993172	9611993172
6	□	1 O-ring	9611991413	9611991413	9611991413	9611991413
7	□	1 Guide ring	9612493801	9612493801	9612493801	9612493801
8	□	1 Bearing	9612494101	9612494101	9612494101	9612494101
9	1	Lock ring	9612480301	9612480301	9612480301	9612480301
10	1	Piston	9612493901	9612493901		
	2	Piston			9612493901	9612493901
11	□	1 O-ring, (Period 2003-)	9611994215	9611994215		
	2	O-ring, (Period 2003-)			9611994215	9611994215
	1	O-ring, (Period -2003)	9611992233	9611992233		
	2	O-ring, (Period -2003)			9611992233	9611992233
12	1	Indication stem		9612505501		9612505501
15	□	1 O-ring		9611992129		9611992129
16	1	Cylinder	9612481901	9612481901		
	2	Cylinder			9612494801	9612494801
17	1	Cover	9612479701	9612479701		
18	□	2 O-ring	9611993170	9611993170	9611993170	9611993170
19	2	Lock wire	9612482501	9612482501	9612482501	9612482501
20	1	Bonnet, MH25	9612495901	9612495901		
	1	Bonnet, MH38	9612496001	9612496001		
	1	Bonnet, MH51	9612496101	9612496101		
	1	Bonnet, MH63			9612496201	9612496201
	1	Bonnet, MH76			9612505101	9612505101
21	4	Screw	22103102	22103102	22103102	22103102
22	1	Spring	9612505401	9612505401		
	2	Spring			9612505301	9612505301
23	1	Lock wire	9612494401	9612494401		
	2	Lock wire			9612495201	9612495201
24	1	Flange	9612506501			
	2	Flange			9612494901	
25	1	Flange for indication		9612494501		
26	1	Flange for indication				9612494701
26a	2	Screw				9611993173
27	1	Screw for indication stem		9611993039		9611993039
32	1	Air fitting	9611991988	9611991988	9611991988	9611991988
33	1	Guide for indication				9612495101
34	1	Spindle extension (only for MH25)	9612482001	9612482001		
35	□	1 Guide ring, (Period 2003-)	9612940701	9612940701		
	2	Guide ring, (Period 2003-)			9612940701	9612940701



TD 418-230

①
With
indication
Sizes
63.5-76 mm
DN65

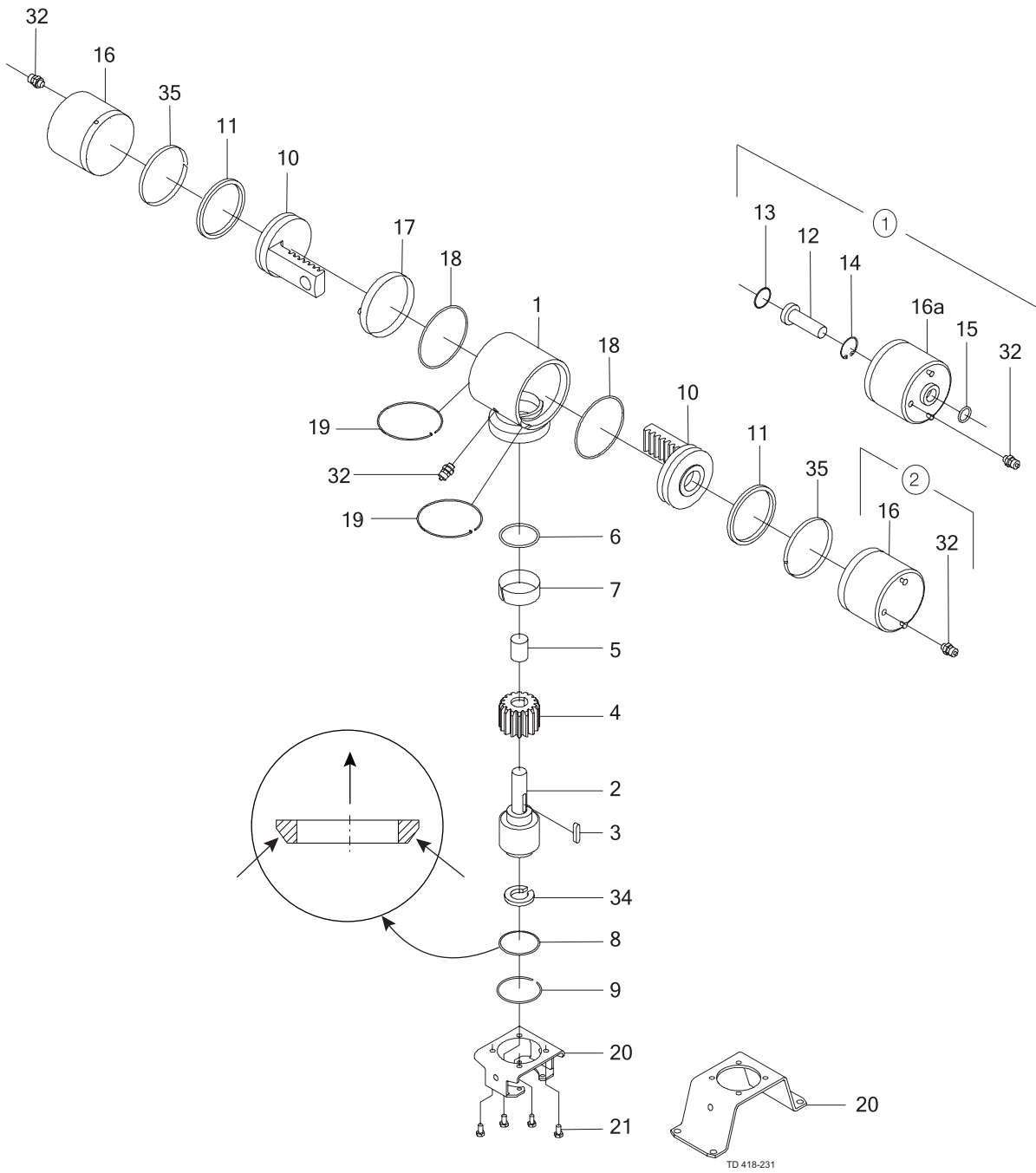
②
With
indication
Sizes
25-51 mm
DN25-50

	25-51 mm DN25-50	With indication 25-51 mm DN25-50	63.5-76 mm DN65	With indication 63.5-76 mm DN65
Service kit for actuator (Period 2003-)				
<input type="checkbox"/> Service kit	9611924194	9611924195	9611924196	9611924197
Service kit for actuator (Period -2003)				
<input type="checkbox"/> Service kit	9611924175	9611924176	9611924177	9611924178

Parts marked with are included in the service kits
 Recommended spare parts: service kit.

① With indication

② Without indication



Pos	Qty	Denomination	With indication		With indication	
			25-76 mm DN 25-65	25-76 mm DN 25-65	101.6 mm DN 80-100	101.6 mm DN 80-100
1	1	Chassis	9612480901	9612480901	9612480901	9612480901
2	1	Spindle	9612479601	9612479601	9612493301	9612493301
3	1	Wedge	9612493701	9612493701	9612493701	9612493701
4	1	Gear wheel	9612479501	9612479501	9612479501	9612479501
5	1	Bearing	9611993172	9611993172	9611993172	9611993172
6	□	1 O-ring	9611991413	9611991413	9611991413	9611991413
7	□	1 Guide ring	9612493801	9612493801	9612493801	9612493801
8	□	1 Bearing	9612494101	9612494101	9612494101	9612494101
9	1	Lock ring	9612480301	9612480301	9612480301	9612480301
10	1	Piston	9612493901	9612493901		
	2	Piston			9612493901	9612493901
11	□	1 O-ring, (Period 2003-)	9611994215	9611994215		
	2	O-ring, (Period 2003-)			9611994215	9611994215
	1	O-ring, (Period -2003)	9611992233	9611992233		
	2	O-ring, (Period -2003)			9611992233	9611992233
12	1	Indication stem		9612480501		9612480501
13	1	O-ring		9611990096		9611990096
14	1	Circlip		9611993171		9611993171
15	□	1 O-ring		9611992129		9611992129
16	1	Cylinder	9612479903			9612479903
	2	Cylinder			9612479903	
16a	1	Cylinder		9612480001		9612480001
17	1	Cover	9612479701	9612479701		
18	□	2 O-ring	9611993170	9611993170	9611993170	9611993170
19	2	Lock wire	9612482501	9612482501	9612482501	9612482501
20	1	Bonnet, MH25	9612495901	9612495901		
	1	Bonnet, MH38	9612496001	9612496001		
	1	Bonnet, MH51	9612496101	9612496101		
	1	Bonnet, MH63	9612496201	9612496201		
	1	Bonnet, MH76	9612505101	9612505101		
	1	Bonnet, MH89			9612505201	9612505201
	1	Bonnet, MH102			9612480801	9612480801
21	4	Screw	22103102	22103102	22103102	22103102
32	2	Air fitting	9611991988	9611991988		
	3	Air fitting			9611991988	9611991988
34	1	Spindle extension (only for MH25)	9612482001	9612482001		
35	□	1 Guide ring, (Period 2003-)	9612940701	9612940701		
	2	Guide ring, (Period 2003-)			9612940701	9612940701

With indication		With indication	
25-51 mm DN25-50	25-51 mm DN25-50	63.5-76 mm DN65	63.5-76 mm DN65

Service kit for actuator (Period 2003-)

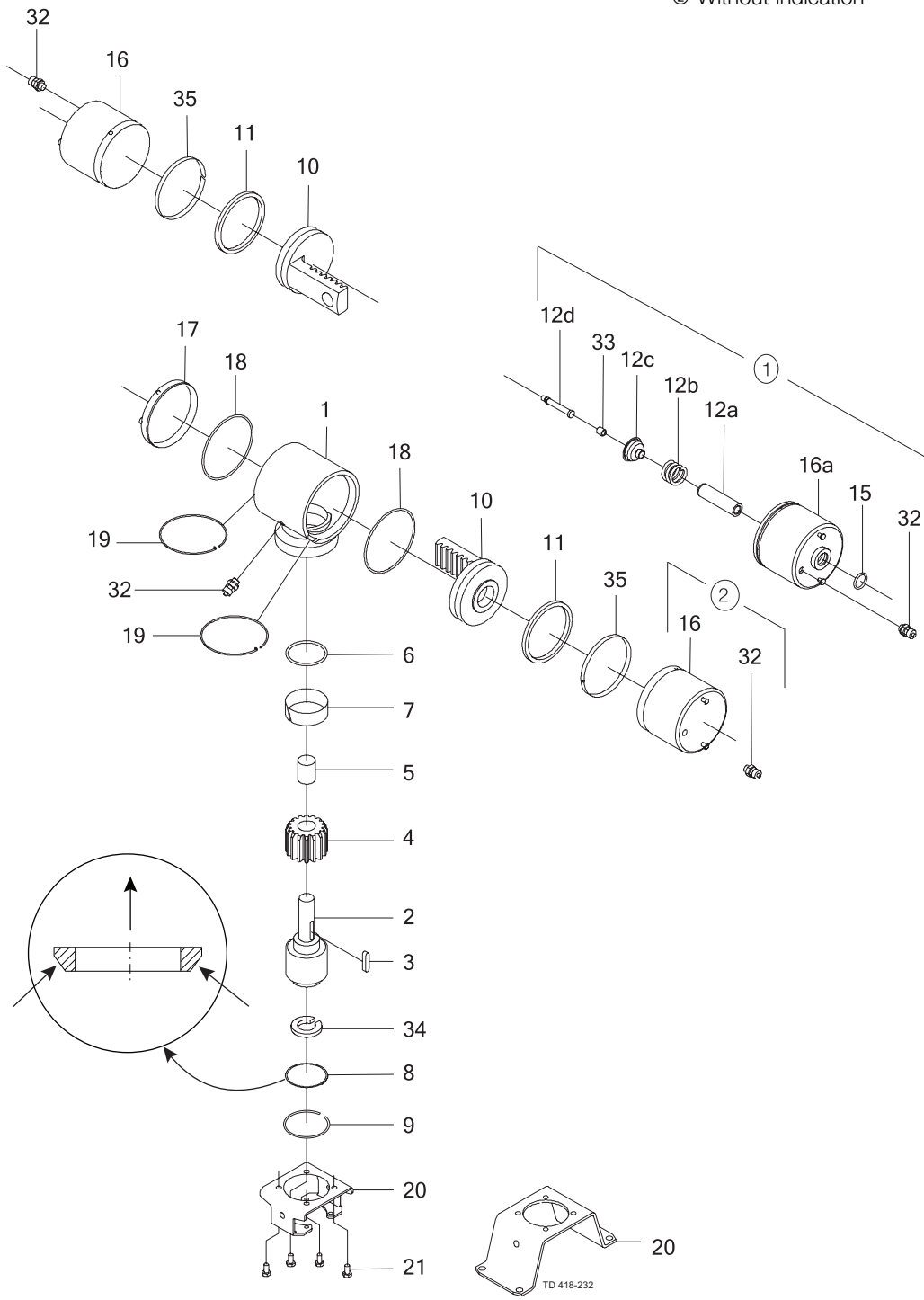
□	Service kit	9611924194	9611924195	9611924196	9611924197
---	-------------------	------------	------------	------------	------------

Service kit for actuator (Period -2003)

□	Service kit	9611924175	9611924176	9611924177	9611924178
---	-------------------	------------	------------	------------	------------

Parts marked with □ are included in the service kits
 Recommended spare parts: service kit.

- ① With indication
- ② Without indication



Pos	Qty	Denomination	With indication			
			25-76mm DN25-65	25-76mm DN25-65	101.6mm DN80-100	101.6mm DN80-100
1	1	Chassis	9612480901	9612480901	9612480901	9612480901
2	1	Spindle	9612479601	9612479601	9612493301	9612493301
3	1	Wedge	9612493701	9612493701	9612493701	9612493701
4	1	Gear wheel	9612479501	9612479501	9612479501	9612479501
5	1	Bearing	9611993172	9611993172	9611993172	9611993172
6	□	O-ring	9611991413	9611991413	9611991413	9611991413
7	□	Guide ring	9612493801	9612493801	9612493801	9612493801
8	□	Bearing	9612494101	9612494101	9612494101	9612494101
9	1	Lock ring	9612480301	9612480301	9612480301	9612480301
10	1	Piston	9612493904	9612493903		
	1	Piston				9612493902
	2	Piston			9612493905	9612493905
11	□	O-ring, (Period 2003-)	9611994215	9611994215		
	2	O-ring, (Period 2003-)			9611994215	9611994215
	1	O-ring, (Period -2003)	9611992233	9611992233		
	2	O-ring, (Period -2003)			9611992233	9611992233
12a	1	Indication stem		9612506301		9612506301
12b	1	Spring		9612370001		9612370001
12c	1	Screw		9612506701		9612506701
12d	1	Extension stem		9612369401		9612369401
15	□	O-ring		9611992129		9611992129
16	1	Cylinder	9612479902			9612479904
	2	Cylinder			9612479904	
16a	1	Cylinder		9612480002		9612480003
17	1	Cover	9612479901	9612479901		
18	□	O-ring	9611993170	9611993170	9611993170	9611993170
19	2	Lock wire	9612482501	9612482501	9612482501	9612482501
20	1	Bonnet, MH25	9612495901	9612495901		
	1	Bonnet, MH38	9612496001	9612496001		
	1	Bonnet, MH51	9612496101	9612496101		
	1	Bonnet, MH63	9612496201	9612496201		
	1	Bonnet, MH76	9612505101	9612505101		
	1	Bonnet, MH89			9612505201	9612505201
	1	Bonnet, MH102			9612480801	9612480801
21	4	Screw	22103102	22103102	22103102	22103102
32	2	Air fitting	9611991988	9611991988		
	3	Air fitting			9611991988	9611991988
33	1	Bush		9611993437		9611993437
34	1	Spindle extension (only for MH25)	9612482001	9612482001		
35	□	Guide ring, (Period 2003-)	9612940701	9612940701		
	2	Guide ring, (Period 2003-)			9612940701	9612940701

	With indication		With indication
	25-51 mm	25-51 mm	63.5-76 mm
	DN25-50	DN25-50	DN65

Service kit for actuator (Period 2003-)

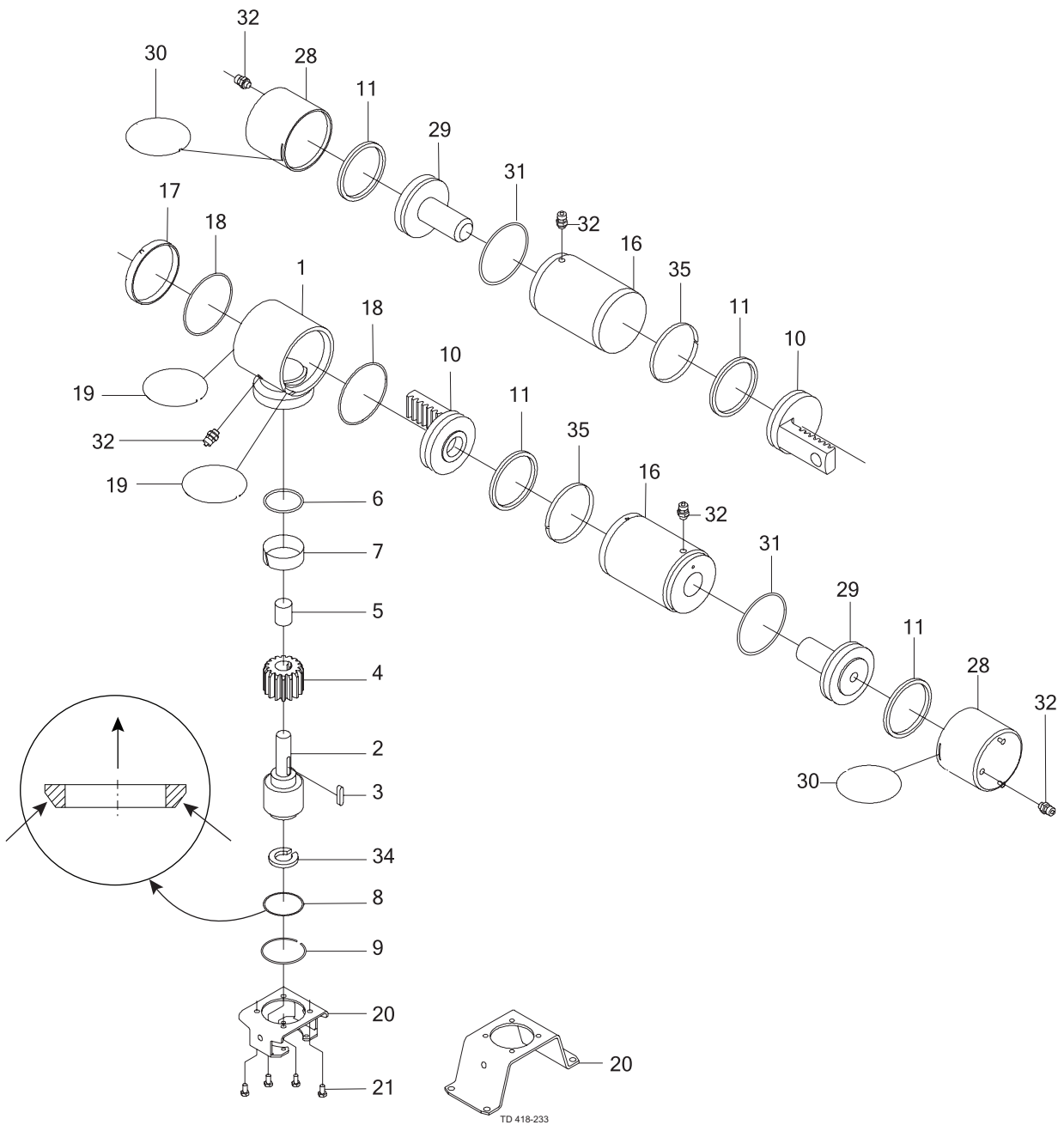
□	Service kit	9611924194	9611924195	9611924196	9611924197
---	--------------------------	-------------------	-------------------	-------------------	-------------------

Service kit for actuator (Period -2003)

□	Service kit	9611924175	9611924176	9611924177	9611924178
---	--------------------------	-------------------	-------------------	-------------------	-------------------

Parts marked with □ are included in the service kits.

Recommended spare parts: service kit.



Pos	Qty	Denomination	25-76mm	101.6mm
			DN25-65	DN80-100
1	1	Chassis	9612480901	9612480901
2	1	Spindle	9612479601	9612493301
3	1	Wedge	9612493701	9612493701
4	1	Gear wheel	9612479501	9612479501
5	1	Bearing	9611993172	9611993172
6	□ 1	O-ring	9611991413	9611991413
7	□ 1	Guide ring	9612493801	9612493801
8	□ 1	Bearing	9612494101	9612494101
9	1	Lock ring	9612480301	9612480301
10	1	Piston	9612493904	
	2	Piston		9612493905
11	□ 2	O-ring, (Period 2003-)	9611994215	
	4	O-ring, (Period 2003-)		9611994215
	2	O-ring, (Period -2003)	9611992233	
	4	O-ring, (Period -2003)		9611992233
16	1	Cylinder	9612482201	
	2	Cylinder		9612482202
17	1	Cover	9612479901	
18	□ 2	O-ring	9611993170	9611993170
19	2	Lock wire	9612482501	9612482501
20	1	Bonnet, MH25	9612495901	
	1	Bonnet, MH38	9612496001	
	1	Bonnet, MH51	9612496101	
	1	Bonnet, MH63	9612496201	
	1	Bonnet, MH76	9612505101	
	1	Bonnet for , MH89		9612505201
	1	Bonnet, MH102		9612480801
21	4	Screw	22103102	22103102
28	1	Auxiliary cylinder	9612482301	
	2	Auxiliary cylinder		9612482301
29	1	Auxiliary piston	9612482401	
	2	Auxiliary piston		9612482401
30	1	Lock wire	9612495801	
	2	Lock wire		9612495801
31	1	O-ring	9611990577	
	2	O-ring		9611990577
32	3	Air fitting	9611991988	
	5	Air fitting		9611991988
34	1	Spindle extension, (only for MH25)	9612482001	9612482001
35	□ 1	Guide ring, (Period 2003-)	9612940701	
	2	Guide ring, (Period 2003-)		9612940701
			25-76 mm	101.6 mm
			DN25-65	DN80-100

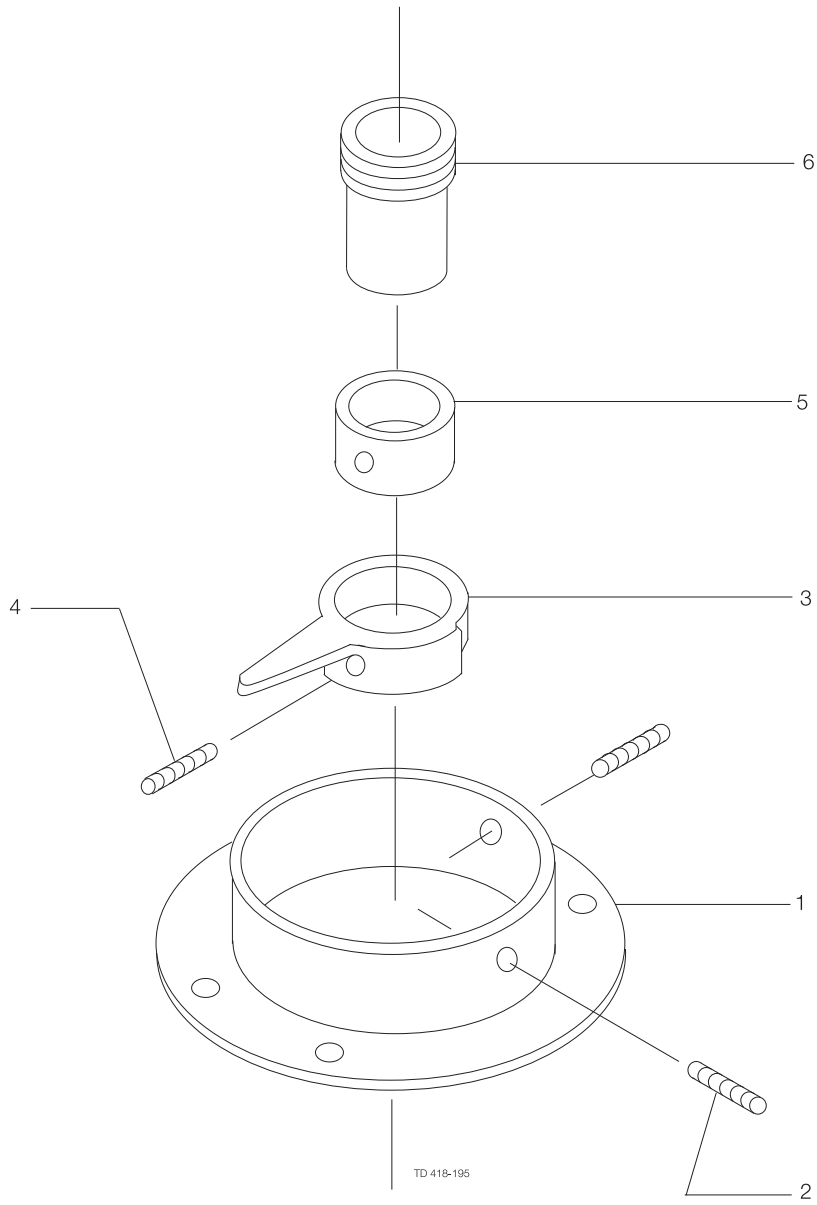
Service kit for actuator (Period 2003-)

□	Service kit	9611924196	9611924198
---	-------------------	------------	------------

Service kit for actuator (Period - 2003)

□	Service kit	9611924177	9611924180
---	-------------------	------------	------------

Parts marked with □ are included in the service kits.
 Recommended spare parts: service kit.



Koltek Laterally Fitted Indication

Pos	Qty	Denomination	9612506201	9612506202	9612506203	9612506204
			25 mm DN25	38 mm DN40	5176 mm DN50-65	89-101.6 mm DN80-100
1	1	Mounting bracket	9612506402	9612506403	9612506403	9612506001
2	2	Screw for mounting bracket	9611991255	9611991255	9611991255	9611991255
3	1	Indicator	9611416690	9611416690	9611416690	9611416690
4	1	Screw for indicator	9611991754	9611991754	22153309	
5	1	Bearing	9612505701	9612505701	9612505702	
6	1	Safety screw	9612505601	9612505601	9612505801	9612506101

900-124/1

How to contact Alfa Laval

Contact details for all countries are continually updated on our website.

Please visit www.alfalaval.com to access the information directly.

© Alfa Laval Corporate AB

This document and its contents is owned by Alfa Laval Corporate AB and protected by laws governing intellectual property and thereto related rights. It is the responsibility of the user of this document to comply with all applicable intellectual property laws. Without limiting any rights related to this document, no part of this document may be copied, reproduced or transmitted in any form or by any means (electronic, mechanical, photocopying, recording, or otherwise), or for any purpose, without the expressed permission of Alfa Laval Corporate AB. Alfa Laval Corporate AB will enforce its rights related to this document to the fullest extent of the law, including the seeking of criminal prosecution.