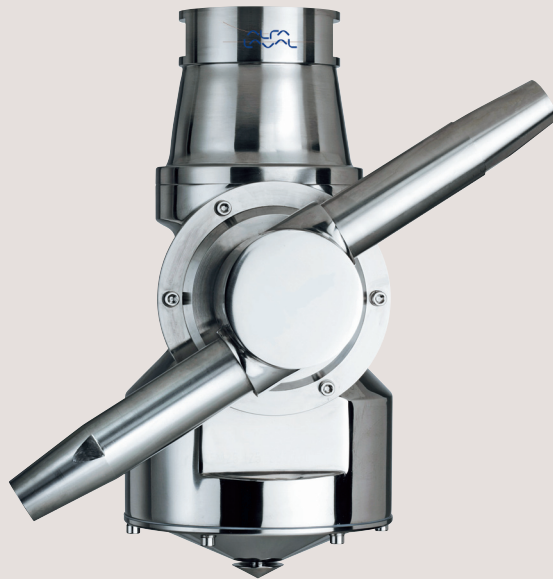




Spare Parts

Alfa Laval IM 25 Rotary Jet Mixer

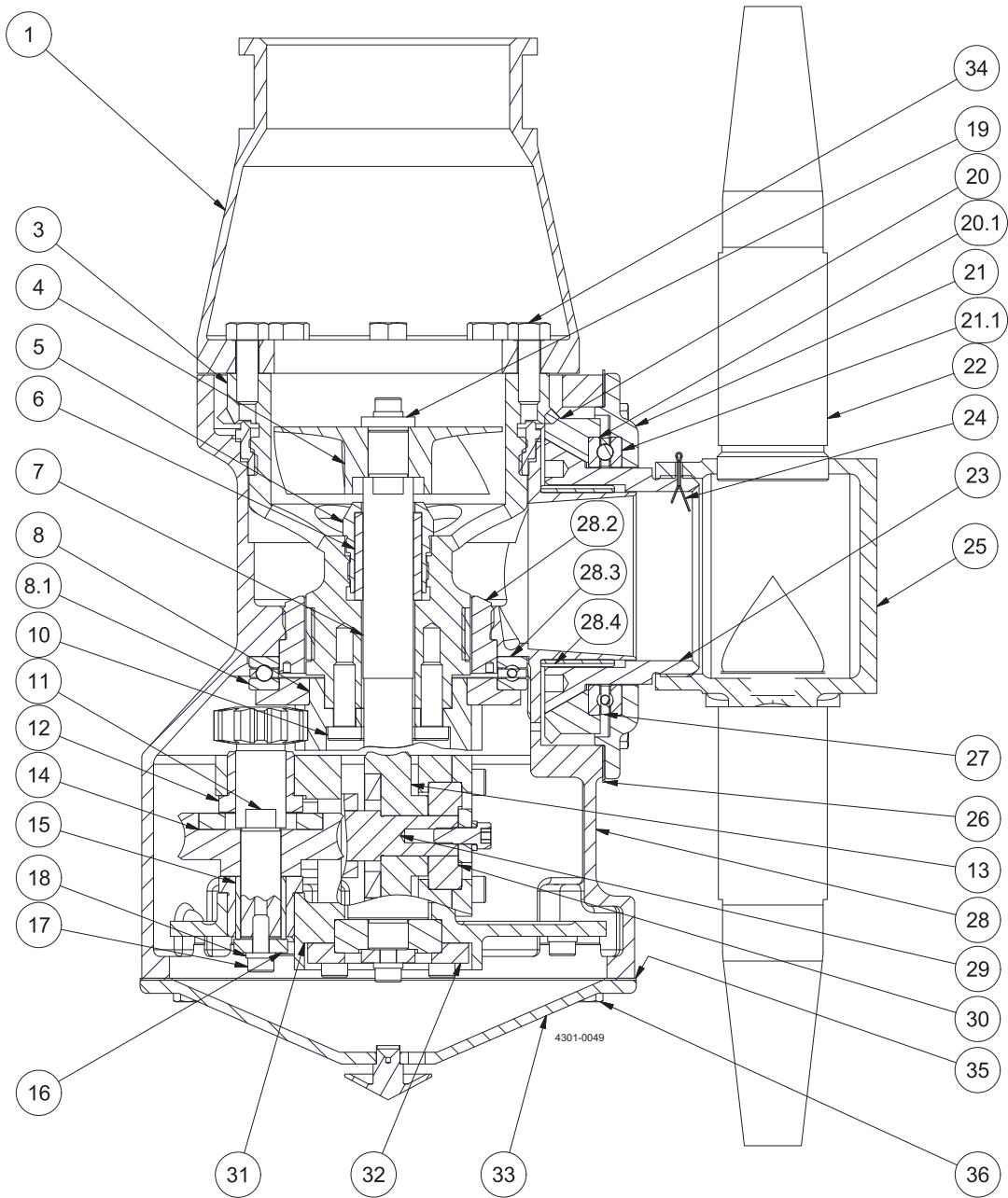


EPS00176-EN8 2020-07

Original manual

The information herein is correct at the time of issue but may be subject to change without prior notice

1. Alfa Laval IM 25 Rotary Jet Mixer	
Part drawings, part lists, service kits & tools	4



Alfa Laval IM 25 Rotary Jet Mixer
Part drawings, part lists, service kits & tools

Pos	Qty	Denomination	Item no.	Material	Material	Remark
1	1	Top Cone, 2½" BSP	TE33B510	Stainless steel		Spare part
3	1	Stem with liners	TEB604Z	Polymer	Stainless steel	Spare part
4	1	Impeller, 100%	TE33B508	Stainless steel		Spare part
5	1	Gland	TE608Z	Stainless steel		Spare part
6 ♦○	1	Main Bush	TE22B576	Polymer		Wear part
7	1	Turbine shaft	TE32B511	Stainless steel		Wear part
8	1	Gear wheel w. Ball race	TE32B303	Stainless steel		Spare part
8.1 ♦○	1	Ball race	TE32B510	Stainless steel		Wear part
10	6	Screw	TE120	Stainless steel		Spare part
11	1	Pinion	TE114	Stainless steel		Spare part
12 ♦○	3	Collar bush	TE22A586	Polymer		Wear part
13 ♦○	1	Worm wheel w. reinforcem.	TE22A365	Polymer	Stainless steel	Wear part
14 ♦○	1	Worm wheel comp. E-gear	TE22A364	Polymer	Stainless steel	Wear part
15	1	Journal	TE117	Stainless steel		Spare part
16	3	Washer	TE619A	Stainless steel		Spare part
17	17	Screw	TE118	Stainless steel		Spare part
18	9	Spring washer	TE156	Stainless steel		Spare part
19	1	Washer	TE32B515	Stainless steel		Spare part
20	1	Bevel gear w. Ball race	TE32B307	Stainless steel		Spare part
20.1♦○	1	Ball race	TE32B510	Stainless steel		Wear part
21	1	Hub cover w. Ball race	TE32B306	Stainless steel		Spare part
21.1♦○	1	Ball race	TE32B510	Stainless steel		Wear part
22 □	2	Nozzle, ø15	TE50C015	Stainless steel		Spare part
□	2	Nozzle, ø16	TE50C016	Stainless steel		Spare part
□	2	Nozzle, ø17	TE50C017	Stainless steel		Spare part
□	2	Nozzle, ø18	TE50C018	Stainless steel		Spare part
□	2	Nozzle, ø19	TE50C019	Stainless steel		Spare part
□	2	Nozzle, ø20	TE50C020	Stainless steel		Spare part
□	2	Nozzle, ø21	TE50C021	Stainless steel		Spare part
23	1	Hub conical part	TE32B534	Stainless steel		Spare part
24	1	Cotter pin	TE448	Stainless steel		Spare part
25	1	Hub nozzle part	TE624215	Stainless steel		Spare part
26	1	Hub gasket	TE22D553	Modified	Elastomer	Spare part
				polymer		
27 □♦	2	Ball retainer w. balls	TE32B302	Polymer	Ceramics	Wear part
□○	2	Ball retainer w. balls	TE126S	Polymer	Stainless steel	Wear part
28	1	Body, 1)		Stainless steel		
28.2	1	Main collar lower	TE22E516	Stainless steel		Wear part
28.3♦○	1	Ball race	TE32B510	Stainless steel		Wear part
28.4	1	Hub collar	TE33B575	Polymer		Wear part
29	1	Horizontal shaft, E-gear	TE128E	Stainless steel		Wear part
30 ♦○	2	Slide Bearing	TE22A571	Polymer		Wear part
31	1	Gear frame	TE630	Stainless steel		Spare part
32	2	Bearing cover	TE531	Stainless steel		Spare part
33	1	Bottom cover	TE32B350	Stainless steel		Spare part
34	8	Screw	TE902H	Stainless steel		Spare part
35	1	Bottom gasket	TE22D554	Modified	Elastomer	Spare part
				polymer		
36	12	Screw	TE421H	Stainless steel		Spare part

Service kits

- ♦ Spare part kit standard TE33B299
- Standard service kit for ATEX/IECEX machines TE33B29970

1) Pos. 28 is not sold as single spare part component. Only sold as part of a machine maintenance/repair order. For further information please contact Alfa Laval Customer Support.

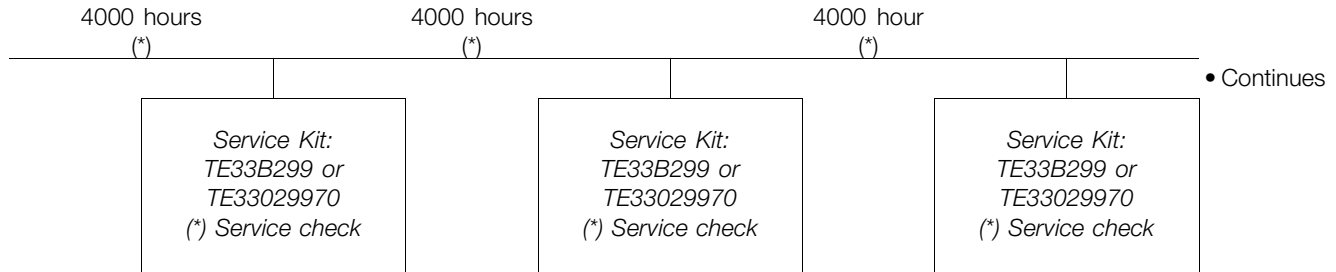
Please note that some of the polymer parts are in PEEK. PEEK is not resistant to concentrated sulfuric acid.

□ Configuration according to delivery note/order.

Parts marked with ♦ are included in the Standard Service Kit TE33B299

Parts marked with ○ are included in the Standard Service Kit TE33B29970 (ATEX/IECEX)

Service kits



NOTE

The service intervals are recommended on the basis of pure liquids. When liquids contain particles and other kind of abrasives, we recommend shorter service intervals depending on the actual running conditions.

Alfa Laval IM 25 Rotary Jet Mixer
Part drawings, part lists, service kits & tools

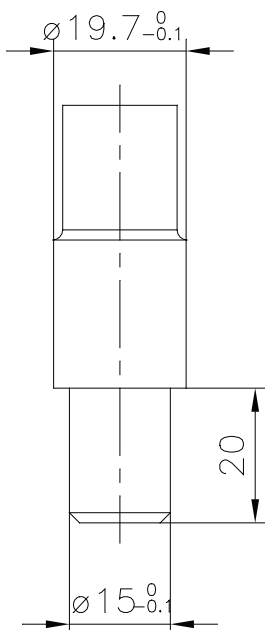
Pos	Qty	Denomination	Item no.
Service kits			
		Service kit for IM 25	TE33B299
Consisting of:			
	1	Worm wheel compl. E-gear	TE22A364
	1	Worm wheel reinforced	TE22A365
	2	Slide bearing	TE22A571
	3	Collar bush	TE22A586
	1	Main bush	TE22B576
	2	Ball Retainer with Balls	TE32B302
	4	Ball Race	TE32B510

Pos	Qty	Denomination	Item no.
		Service Kit for IM 25 ATEX/IECEX	TE33B29970
Consisting of:			
	1	Worm wheel compl. E-gear	TE22A364
	1	Worm wheel reinforced	TE22A365
	2	Slide bearing	TE22A571
	3	Collar bush	TE22A586
	1	Main bush	TE22B576
	2	Ball Retainer with Balls	TE126S
	4	Ball Race	TE32B510

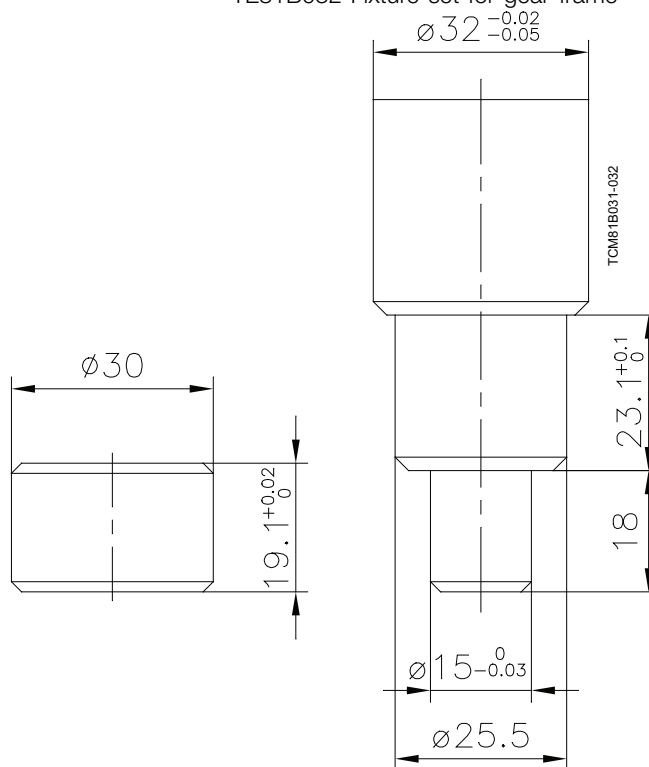
Tools

Sketch of tools for replacement of **Collar Bush**

TE81B031 Pusher for 2" gear frame

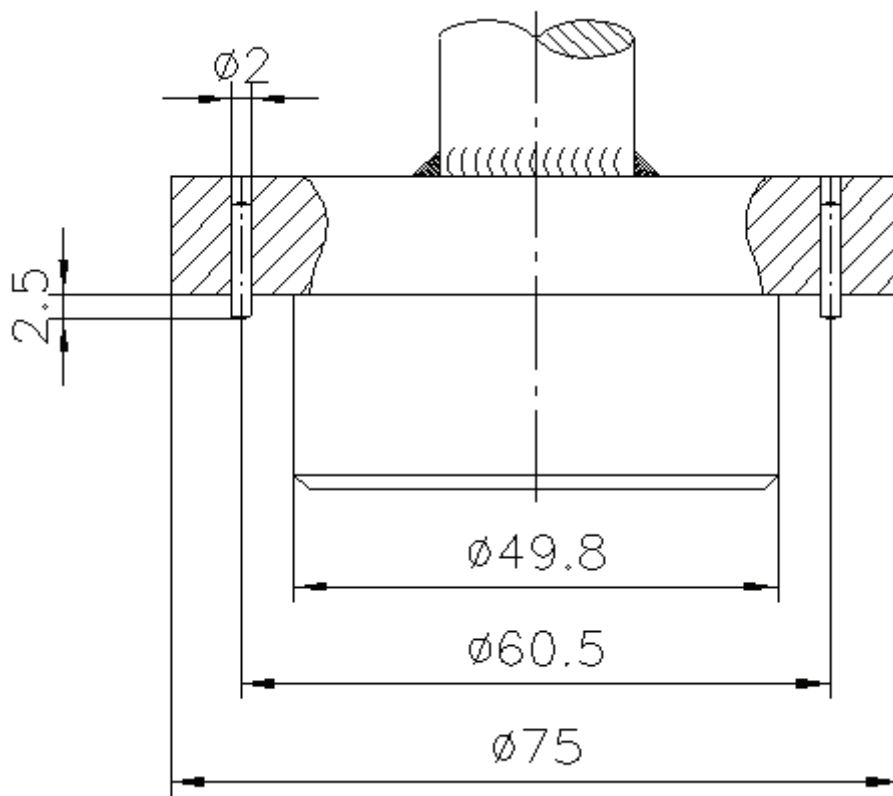


TE81B032 Fixture set for gear frame



Sketch of tools for replacement of **Main Collars**

Available on request: TE81B132: Tool for lower collar (2" + 3" TCM) complete



Alfa Laval IM 25 Rotary Jet Mixer
Part drawings, part lists, service kits & tools

Pos	Qty	Denomination	Item no.
Tools			
		Standard tool kit IM 25	TE81B065
Consisting of:			
	1	Hex key	TE134
	1	Hex screwdriver	TE134A
	1	Hex key	TE135
	1	Hex screwdriver	TE135A
	1	Caliper	TE369
Available on request			
		Pusher for collar bush 2"	TE81B031
		Fixture set for collar bush 2"	TE81B032
		Tool for lower collar (2" + 3" TCM) complete	TE81B132

How to contact Alfa Laval

Contact details for all countries are continually updated on our website.

Please visit www.alfalaval.com to access the information directly.

© Alfa Laval Corporate AB

This document and its contents is owned by Alfa Laval Corporate AB and protected by laws governing intellectual property and thereto related rights. It is the responsibility of the user of this document to comply with all applicable intellectual property laws. Without limiting any rights related to this document, no part of this document may be copied, reproduced or transmitted in any form or by any means (electronic, mechanical, photocopying, recording, or otherwise), or for any purpose, without the expressed permission of Alfa Laval Corporate AB. Alfa Laval Corporate AB will enforce its rights related to this document to the fullest extent of the law, including the seeking of criminal prosecution.