



Spare Parts

HLSD-2 Cover



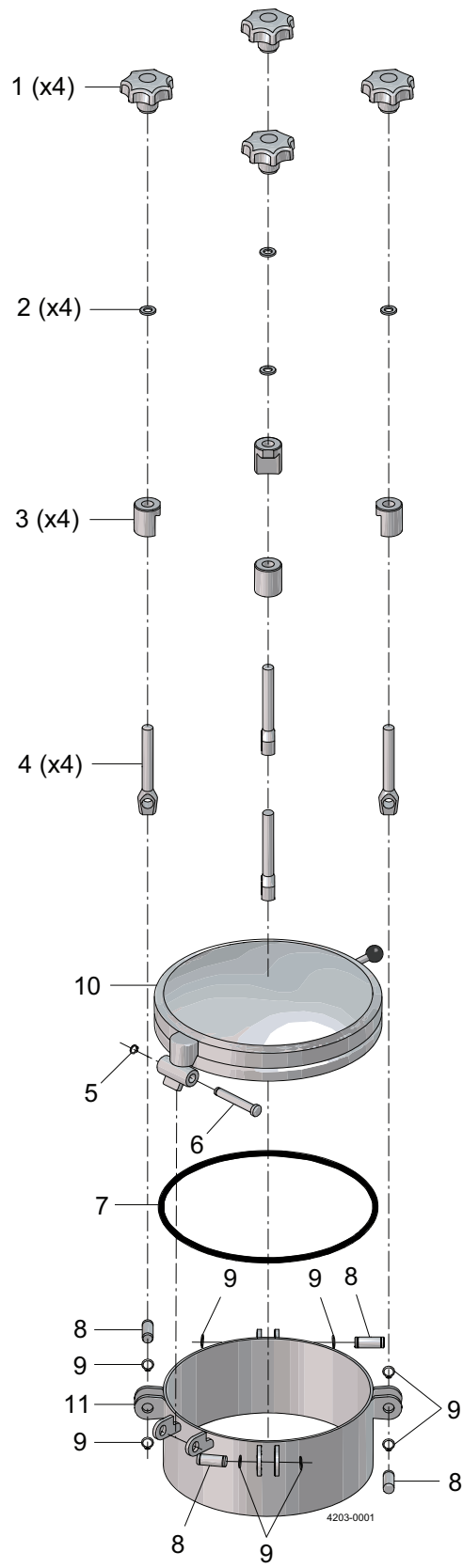
ESE02904-EN1

2016-01

Original manual

The information herein is correct at the time of issue but may be subject to change without prior notice

1. HLSD-2 Cover 4



HLSD-2 Cover

Pos	Qty	Denomination	Item no.
1	4*	Blue plastic handle with blue cap	9613475138
2	4*	Washer ø17 mm	
3	4*	Sleeve	
4	4*	Eyebolt M16x125 mm	
5	1	Security ring ø12 mm	
6	1	Hinge bolt ø12 mm	
8	4*	Bolt for Eyebolt ø16 mm	
9	6	Security ring ø16 mm	
10	1**	N/A	
11	1	Lugs for Eyebolts (1 pair)	

*Qty dependant on number of handles on the Cover - this example with 4 handles.

** Lid and frame to be purchased together and by request.

Note: Contact Customer Support for purchase of above parts.

Pos	Qty	Denomination	Item no.	Item no.	Item no.
			DN200	DN300	DN400
7	1	Seal, - silicone	9613475101	9613475102	9613475103
	1	Seal, - EPDM	9613475107	9613475108	9613475109
	1	Seal, - FPM	9613475113	9613475114	9613475115
	1	Seal, FEP-Silicone	9613475119	9613475120	9613475121
	1	Seal, FEP-FPM	9613475125	9613475126	9613475127
	1	Seal, - PFA-Silicone	9613475131	9613475132	9613475133

Pos	Qty	Denomination	Item no.	Item no.	Item no.
			DN450	DN500	DN600
7	1	Seal, - silicone	9613475104	9613475105	9613475106
	1	Seal, - EPDM	9613475110	9613475111	9613475112
	1	Seal, - FPM	9613475116	9613475117	9613475118
	1	Seal, FEP-Silicone	9613475122	9613475123	9613475124
	1	Seal, FEP-FPM	9613475128	9613475129	9613475130
	1	Seal, - PFA-Silicone	9613475134	9613475135	9613475136

How to contact Alfa Laval

Contact details for all countries are continually updated on our website.

Please visit www.alfalaval.com to access the information directly.

© Alfa Laval Corporate AB

This document and its contents is owned by Alfa Laval Corporate AB and protected by laws governing intellectual property and thereto related rights. It is the responsibility of the user of this document to comply with all applicable intellectual property laws. Without limiting any rights related to this document, no part of this document may be copied, reproduced or transmitted in any form or by any means (electronic, mechanical, photocopying, recording, or otherwise), or for any purpose, without the expressed permission of Alfa Laval Corporate AB. Alfa Laval Corporate AB will enforce its rights related to this document to the fullest extent of the law, including the seeking of criminal prosecution.