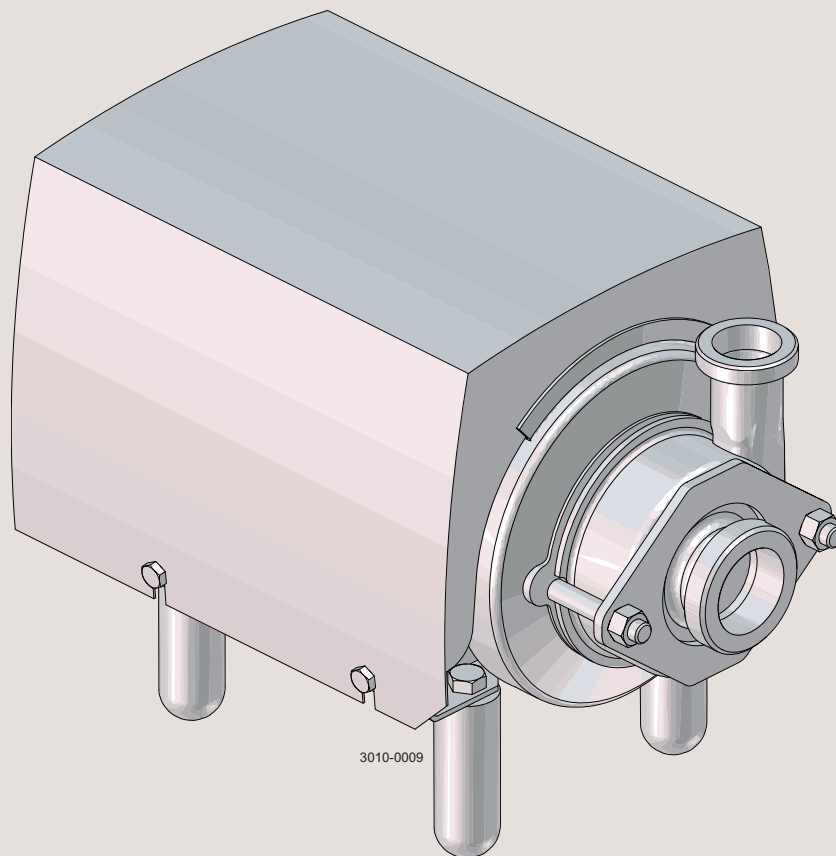




Spare Parts

FM-OS Centrifugal pump



ESE00722-EN6

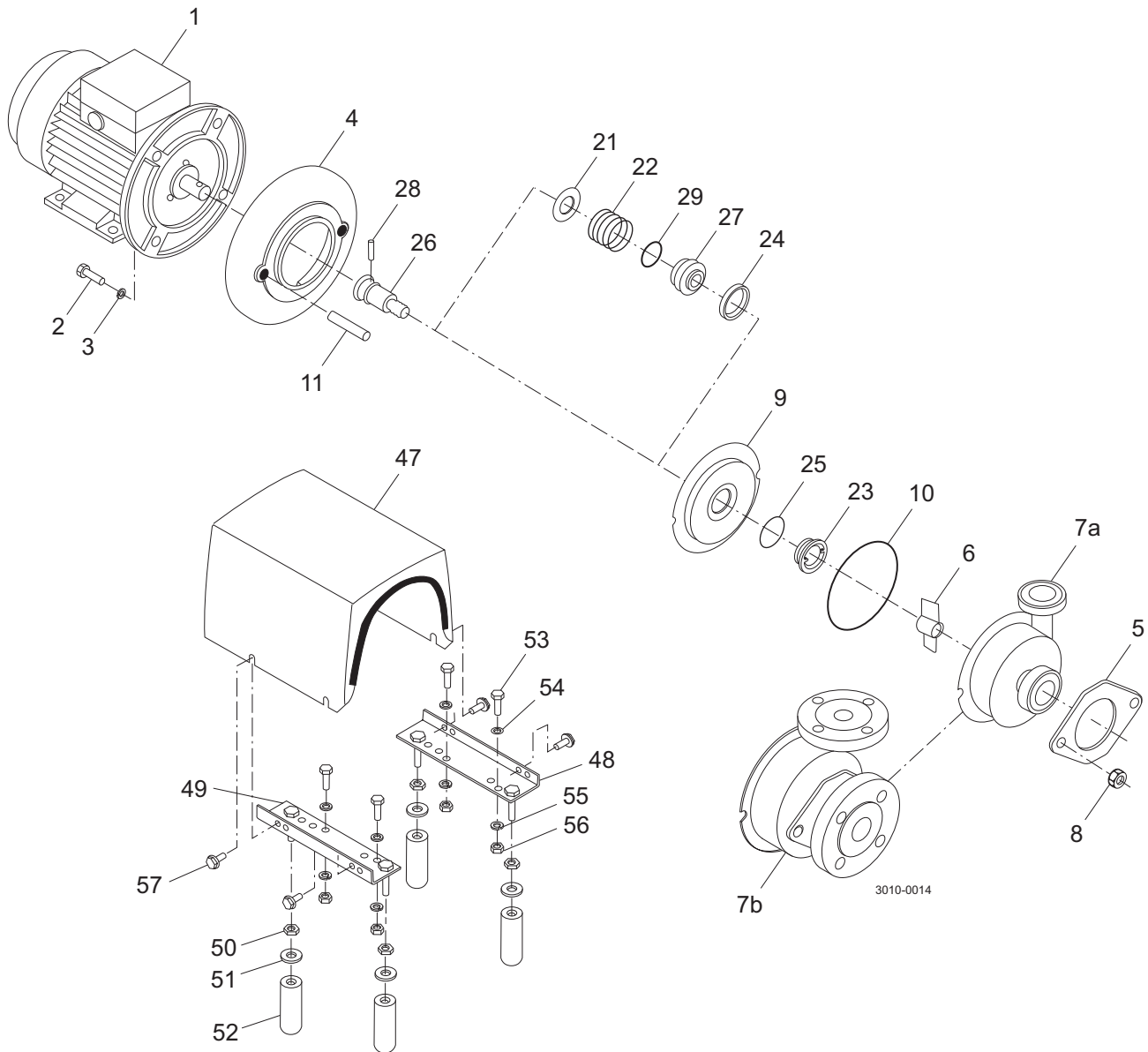
2016-11

Original manual

Table of contents

The information herein is correct at the time of issue but may be subject to change without prior notice

1. FM-OS Centrifugal pump, single shaft seal	4
2. FM-OS Centrifugal pump, flushed shaft seal	6



FM-OS Centrifugal pump, single shaft seal

Pos	Qty	Denomination	FM-OS/95
			FM-OS/115
1	1	Motor IEC80, ABB (full speed)	9614303002
2	4	Screw	9611991823
3	4	Spring washer	9611991887
4	1	Adaptor	3145700621
5	1	Yoke	3145700501
6	1	Impeller, diameter 95 mm (standard)	9612186802
6*	1	Impeller, 4 bladed, diameter 95 mm	9612355001
	1	Impeller, diameter 115 mm (standard)	9612186801
	1	Impeller, 4 bladed, diameter 115 mm	9612354901
7a	1	Pump casing with sanitary fittings 51 mm inlet and outlet	
	1	ISO male	3145700381
	1	SMS	3145700382
	1	DIN	3145700383
	1	ISO clamp	3145700384
	1	BS	3145700385
7b	1	Pump casing flanges DN 50 inlet and DN 40 outlet	3145700671
	1	Pump casing with flanges DN 50 inlet/DN 50 outlet	3145700672
8	2	Nut	9611990587
9	1	Back plate	3145600351
10	1	O-ring, NBR (Standard)	22341275
	1	O-ring, EPDM	223412175
	1	O-ring, FPM	22341276
	1	O-ring, PTFE	3145600601
11	2	Stud bolt	3145700511
21	1	Thrower	3145700251
24	1	Nut	3143701201
26	1	Pump shaft	3145700641
28	1	Tubular spring pin	22211927
47	1	Shroud complete	3145701061
48	1	Support bar, left	3145701051
49	1	Support bar, right	3145701052
50	4	Nut	9611991829
51	4	Washer	3146001041
52	4	Leg	3146012481
53	4	Screw	9611991824
54	4	Washer	9611991831
55	4	Washer	9611991888
56	4	Nut	9611990360
57	4	Screw	9611993240

3 ~, 50 Hz, 230VD/400-415VY - Standard ≤ 22 kW and 400-415VD/690VY Standard > 22 kW

3 ~, 60 Hz, 440-460VY - Standard ≤ 22 kW and 440-460VD Standard > 22 kW

* Sometimes reduced impeller diameter. Check the diameter of the original impeller.

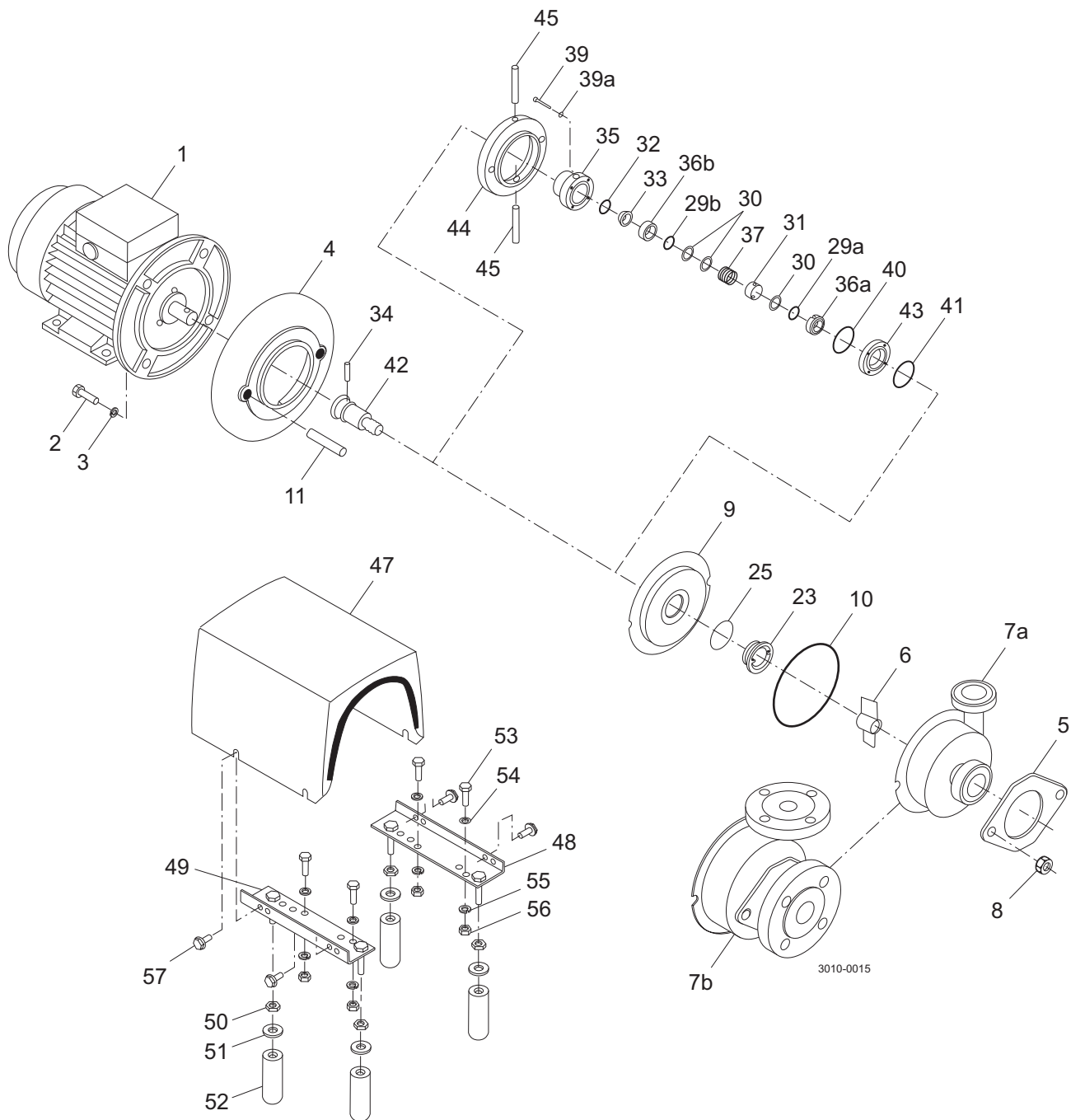
Pos	Qty	Denomination	NBR	EPDM	FPM	PTFE
Single shaft seal (standard)						
□		Complete shaft seal, C/SiC	9612439201	9612439203	9612439204	9612439202
22	1	Spring				
23	1	Stationary seal ring, SiC				
25	1	Seal				
27	1	Rotating seal ring, carbon				
29	1	O-ring				
Alternatives for single shaft seals						
□		Complete shaft seal, SiC/SiC	9612439205	9612439207	9612439208	9612439206
22	1	Spring				
23	1	Stationary seal ring, SiC				
25	1	Seal				
27	1	Rotating seal ring, SiC				
29	1	O-ring				

FM-OS/95
FM-OS/115

Service kit

Service kit, NBR	9611921050
Service kit, EPDM	9611921051
Service kit, FPM	9611921052
Service kit, PTFE	9611921053

Parts marked with □ are included in the service kits. (900452/4)



FM-OS Centrifugal pump, flushed shaft seal

Pos	Qty	Denomination	FM-OS/95
			FM-OS/115
1	1	Motor IEC, ABB (full speed)	9614303002
2	4	Screw	9611991823
3	4	Spring washer	9611991887
4	1	Adaptor	3145700621
5	1	Yoke	3145700501
6	1	Impeller, diameter 95 mm (standard)	9612186802
6*	1	Impeller, 4 bladed, diameter 95 mm	9612355001
	1	Impeller, diameter 115 mm (standard)	9612186801
	1	Impeller, 4 bladed, diameter 115 mm	9612354901
7a	1	Pump casing with sanitary fittings, 51mm inlet and outlet	
	1	ISO male	3145700381
	1	SMS	3145700382
	1	DIN	3145700383
	1	ISO clamp	3145700384
	1	BS	3145700385
	1	Pump casing flanges DN 50, inlet and outlet	
7b	1	Pump casing flanges, DN 50 inlet and DN 40 outlet	3145700671
	1	Pump casing, with flanges DN 50 inlet/DN 50 outlet	3145700672
8	2	Nut	9611990587
9	1	Back plate	3145600351
10	1	O-ring, NBR (Standard)	22341275
	1	O-ring, EPDM	223412175
	1	O-ring, FPM	22341276
	1	O-ring, PTFE	3145600601
11	2	Stud bolt	3145700512
34	1	Tubular spring pin	22211920
35	1	Seal housing	3143901141
39	4	Screw	9611990208
39a	4	Washer	9611990800
42	1	Pump shaft	3145700681
43	1	Fastening ring	3143901131
44	1	Intermediate flange	3145700541
45	2	Flushing tube	9612358906
46	1	Assembly mandrel (not shown)	3143901181
47	1	Shroud complete	3145701061
48	1	Support bar, left	3145701051
49	1	Support bar, right	3145701052
50	4	Nut	9611991829
51	4	Washer	3146001041
52	4	Leg	3146012481
53	4	Screw	9611991824
54	4	Washer	9611991831
55	4	Washer	9611991888
56	4	Nut	9611990360
57	4	Screw	9611993240

3 ~, 50 Hz, 230VD/400-415VY - Standard ≤ 22 kW and 400-415VD/690VY Standard > 22 kW

3 ~, 60 Hz, 440-460VY - Standard ≤ 22 kW and 440-460VD Standard > 22 kW

* Sometimes reduced impeller diameter. Check the diameter of the original impeller.

Pos	Qty	Denomination	NBR	EPDM	FPM	PTFE
□		Complete shaft seal, C/SiC	9612439301	9612439303	9612439304	9612439302
23	1	Stationary seal ring, SiC				
25	1	Seal				
29a	1	O-ring, front				
29b	1	O-ring, back				
30	3	Washer				
31	1	Spacer				
32	1	O-ring				
33	1	Stationary seal ring				
36a+b	2	Rotating seal ring, carbon				
37	1	Spring				
40	1	O-ring				
41	1	O-ring				

FM-OS/95

FM-OS/115

Service kit

Service kit, NBR	9611921054
Service kit, EPDM	9611921055
Service kit, FPM	9611921056
Service kit, PTFE	9611921057

Parts marked with □ are included in the service kits. Recommended spare parts: service kit. (900452/4)

How to contact Alfa Laval

Contact details for all countries are continually updated on our website.

Please visit www.alfalaval.com to access the information directly.

© Alfa Laval Corporate AB

This document and its contents is owned by Alfa Laval Corporate AB and protected by laws governing intellectual property and thereto related rights. It is the responsibility of the user of this document to comply with all applicable intellectual property laws. Without limiting any rights related to this document, no part of this document may be copied, reproduced or transmitted in any form or by any means (electronic, mechanical, photocopying, recording, or otherwise), or for any purpose, without the expressed permission of Alfa Laval Corporate AB. Alfa Laval Corporate AB will enforce its rights related to this document to the fullest extent of the law, including the seeking of criminal prosecution.