



Spare Parts

Alfa Laval Agitator - EnSaLine



100022979-EN1

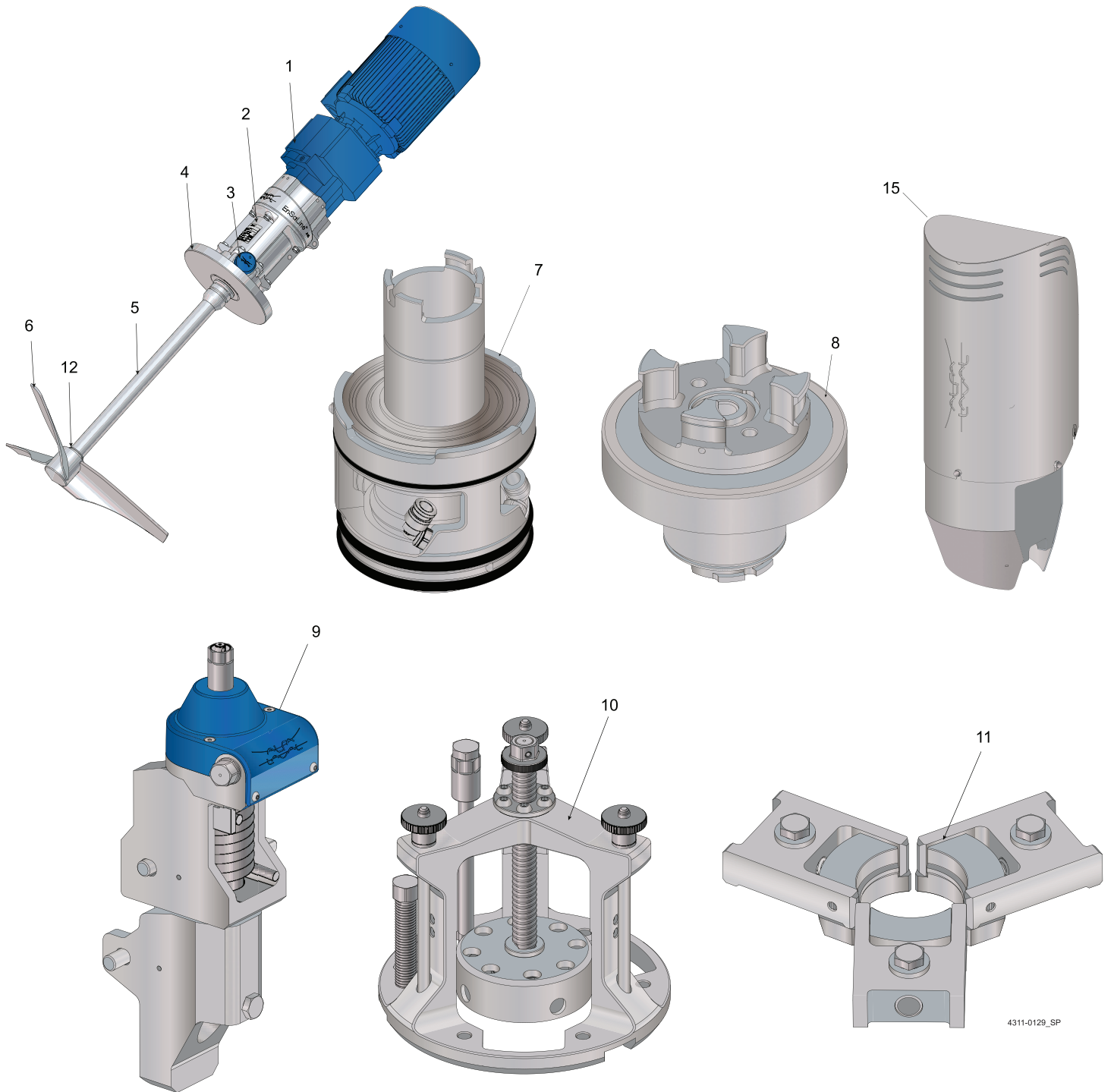
2026-03

Original manual

Table of contents

The information herein is correct at the time of issue but may be subject to change without prior notice

1. Agitator overview	4
2. Drive unit	6
3. Drive train	8
4. Top bearing assembly	10
5. Cartridge double seal (CD), size A45	12
6. Cartridge wet seal (CWS), size A45	16
7. Cartridge double seal (CD), size A30	20
8. Cartridge wet seal (CWS), size A30	24
9. Hinge jack	28
10. Center jack	30
11. Shaft retainer	32



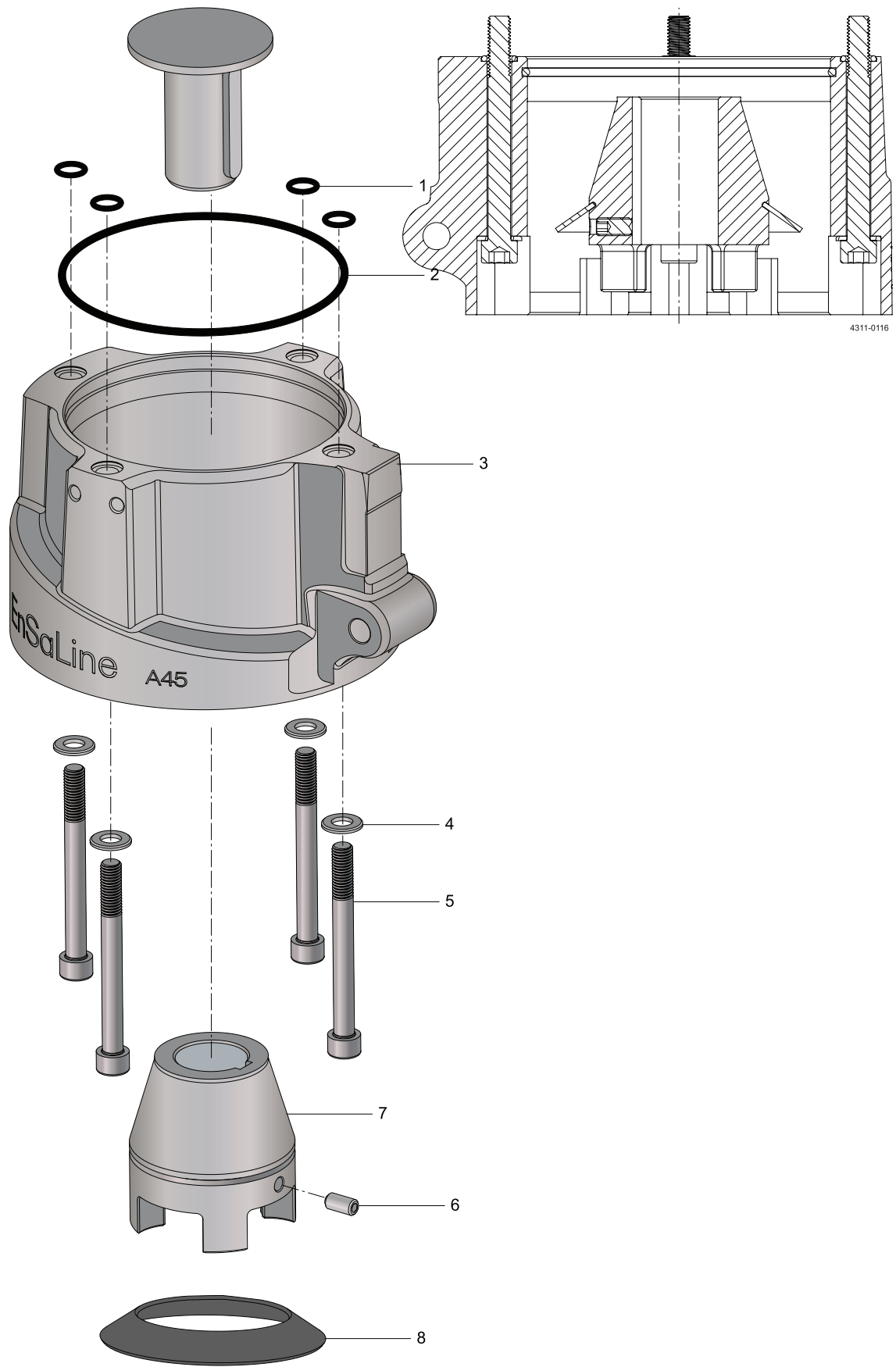
4311-0129_SP

Pos	Qty	Denomination	
1	1	Drive unit*	
2	1	Housing	
3		Clariot	
Welding flange			
4	1	EnSaLine B, size A30 OD200 PED/ASME, incl. 3.1 cert	8010051279
	1	EnSaLine S, size A30 OD250 PED/ASME, incl. 3.1 cert	8010045505
	1	EnSaLine B, size A45 OD230 PED/ASME, incl. 3.1 cert	8010051280
	1	EnSaLine S, size A45 OD300 PED/ASME, incl. 3.1 cert	8010044146
5	1	Drive shaft	
6	1	Impeller*	
7	1	Complete cartridge spare unit	
8	1	Top bearing assembly A30	8010045491
	1	Top bearing assembly A45	8010031856
Service tools			
9	□▲	Hinge jack service tool EnSaLine size A30/A45	8010070294
10	□■	Center jack service tool EnSaLine size A30	8010070295
	▲▲	Center jack service tool EnSaLine size A45	8010070296
11	□■	Shaft retainer service tool EnSaLine size A30	8010070297
	▲▲	Shaft retainer service tool EnSaLine size A45	8010070298
O-rings			
12	1	O-ring, shaft-impeller size A30, for M20 EPDM	8010070535
	1	O-ring, shaft-impeller size A30, for M20 FPM	8010070536
	1	O-ring, shaft-impeller size A30, for M20 FFKM	8010070537
	1	O-ring, shaft-impeller size A30/A45, for M36 EPDM	8010070538
	1	O-ring, shaft-impeller size A30/A45, for M36 FPM	8010070539
	1	O-ring, shaft-impeller size A30/A45, for M36 FFKM	8010070540
	1	O-ring, shaft-impeller size A30, for M20 EPDM Q-Doc	8010070369
	1	O-ring, shaft-impeller size A30, for M20 FPM Q-Doc	8010070370
	1	O-ring, shaft-impeller size A30, for M20 FFKM Q-Doc	8010070371
	1	O-ring, shaft-impeller size A30/A45, for M36 EPDM Q-Doc	8010070372
	1	O-ring, shaft-impeller size A30/A45, for M36 FPM Q-Doc	8010070373
	1	O-ring, shaft-impeller size A30/A45, for M36 FFKM Q-Doc	8010070374
Service tools			
13	□▲	Wrench service tool EnSaLine size A30/A45	8010070299
14	□▲	Hex key service tool EnSaLine size A30/A45	8010070300
15	1	Shroud	

* Article number available upon request by serial number or article number of the agitator.

Service tools kit

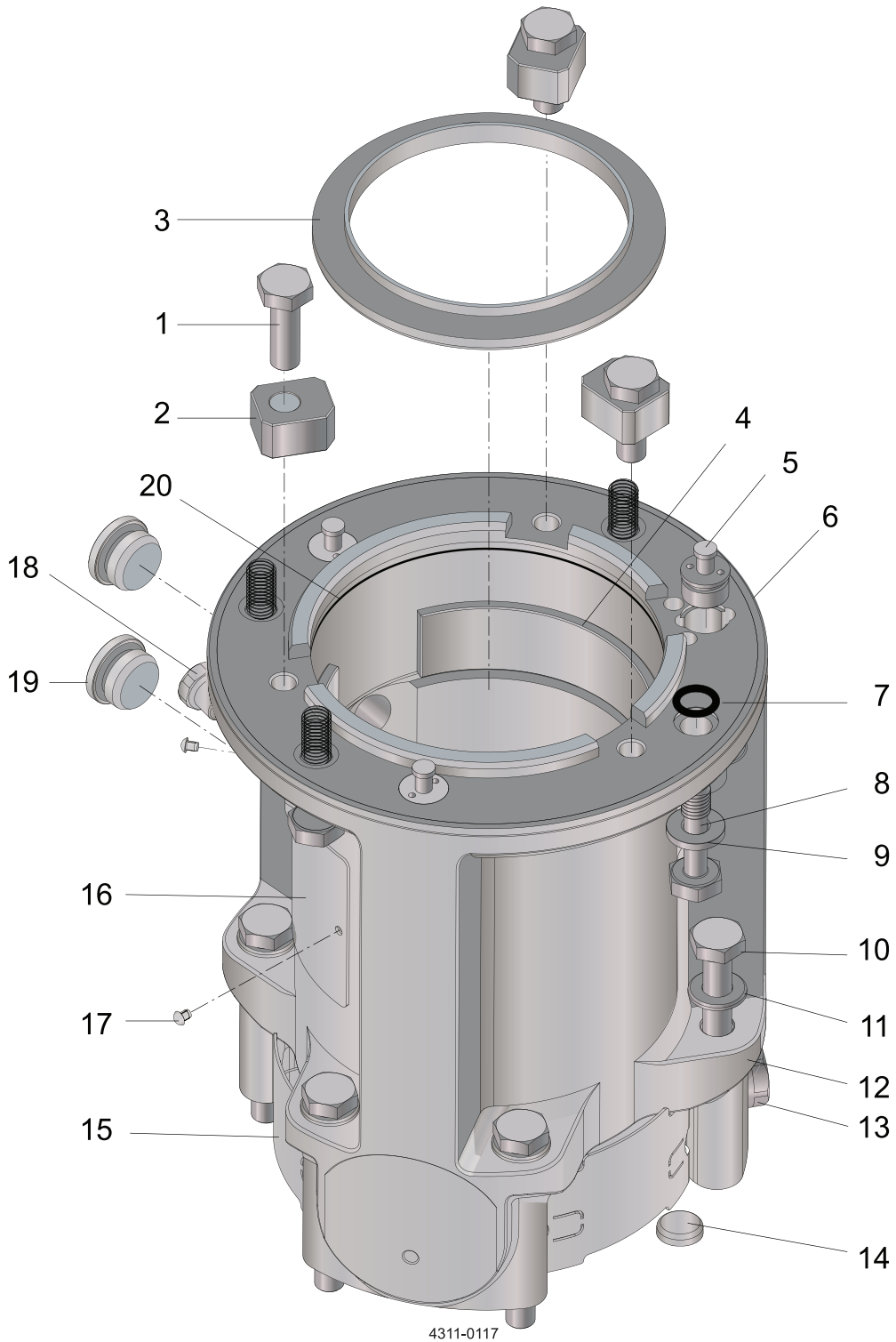
□	Service tool suitcase EnSaLine size A30, all tools included	8010070301
▲	Service tool suitcase EnSaLine size A45, all tools included	8010070302
■	Size A30 supplementary kit for service tool suitcase EnSaLine size A45	8010070303
△	Size A45 supplementary kit for service tool suitcase EnSaLine size A30	8010070304



4311-0115_SP

Drive unit

Pos	Qty	Denomination
1	4	O-ring
2	1	O-ring
3	1	Drive unit flange
4	4	Washer
5	4	Screw
6	1	Set screw
7	1	Coupling
8	1	Oil trap



4311-0117

Drive train

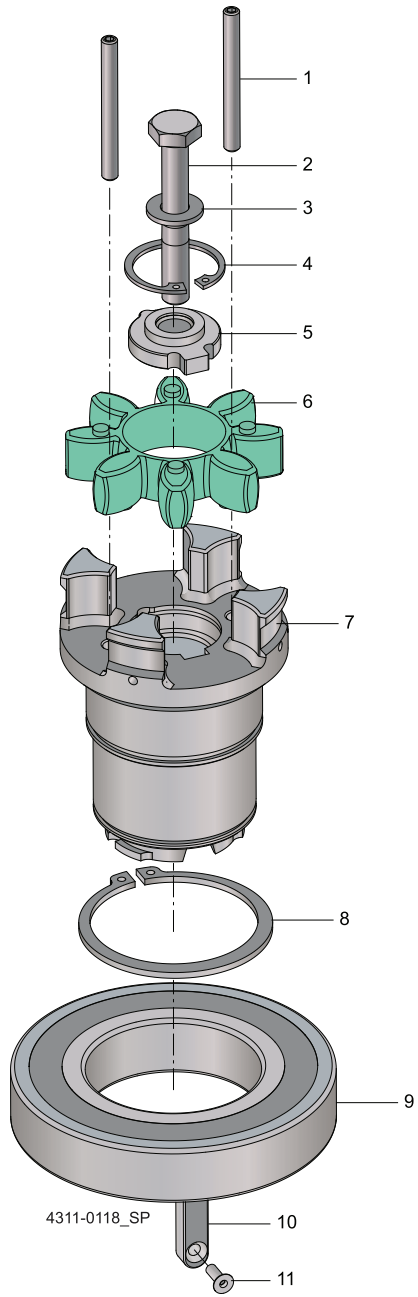
Pos	Qty	Denomination	
1	3	Screw	
2	3	Spacer block	
3	1	Oil trap	
4	1	Spacer	
5	3	Pin, Mushroom	8010039713
6	□	1 O-ring	
7	□	4 O-ring	
8	4	Screw	
9	4	Washer	
10	6	Screw	
11	6	Washer	
12	1	Housing	
13	1	Oil sight glass	
14	1	Cap, Sealing Push-In	
15	3	Cover	
16	1	Name Plate	
17	2	Rivet	
18	1	Air vent	
19	2*	Plug screw	
20	□	1 O-ring	

* = Quantity 1 pcs. for A30

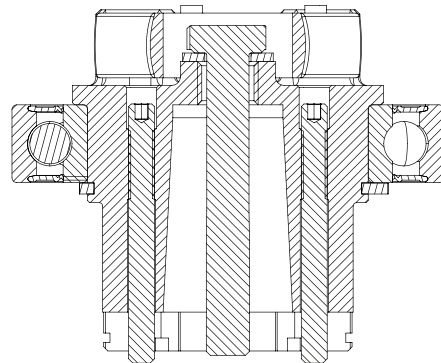
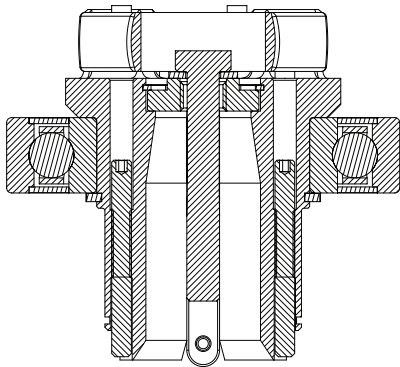
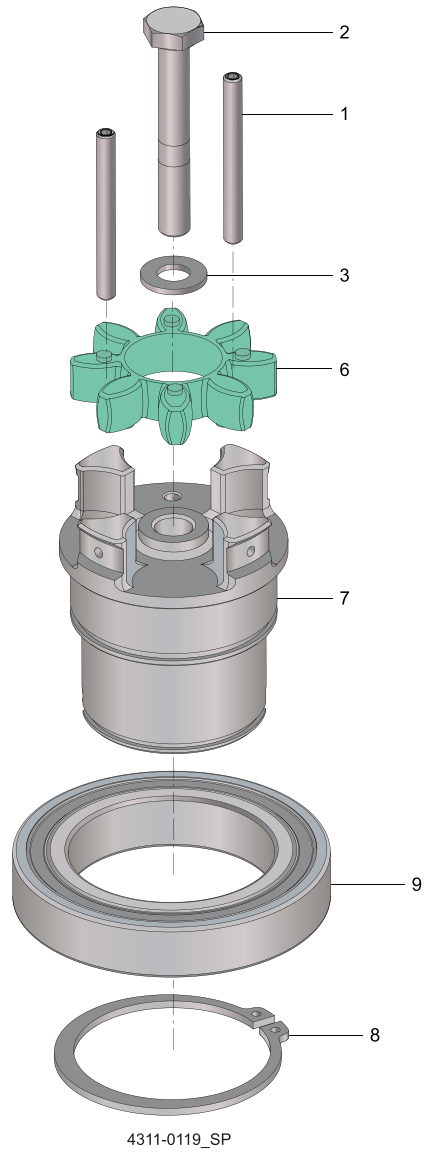
Elastomer kit for externals

□	Elastomer kit for externals Size A30	8010069329
□	Elastomer kit for externals Size A45	8010069330

A45



A30



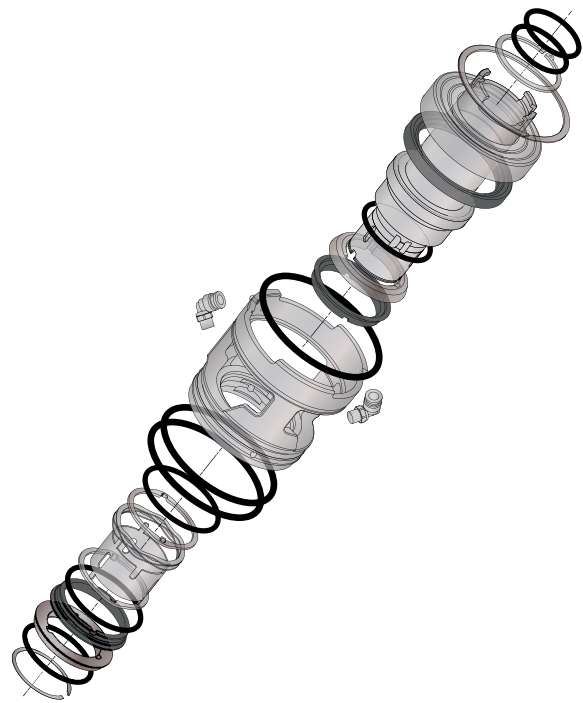
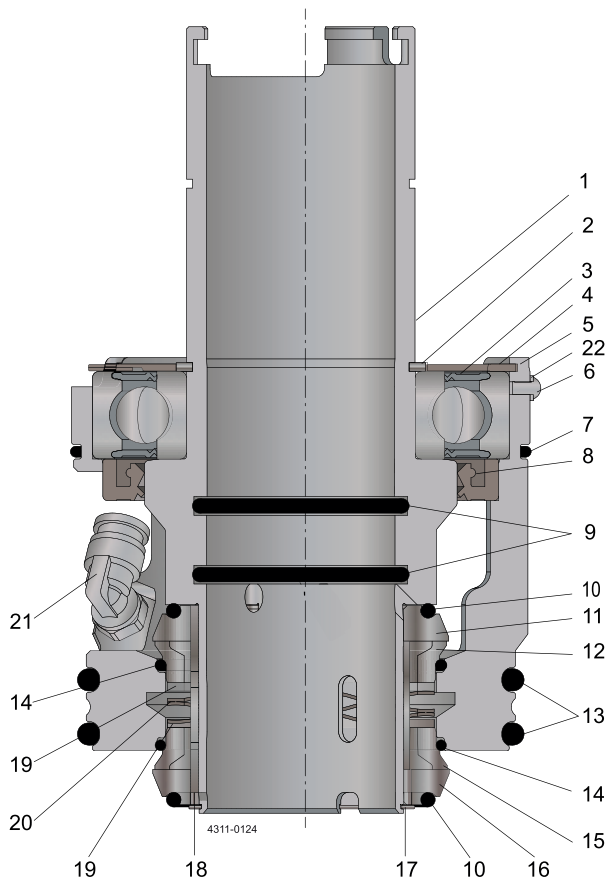
Top bearing assembly

Pos	Qty	Denomination	
1	2	Set screw	
2	1	Screw	
3	1	Washer	
4	1	Retainer ring (only for A45)	
5	1	Retainer plate (only for A45)	
6	□	Spider EnSaLine size A30	8010070541
	▲	Spider EnSaLine size A45	8010070542
7	1	Coupling	
8	1	Retainer ring	
9	□▲	Bearing	
10	1	Parallel key (only for A45)	
11	1	Screw (only for A45)	

Bearing kit for top bearing assembly & cartridge

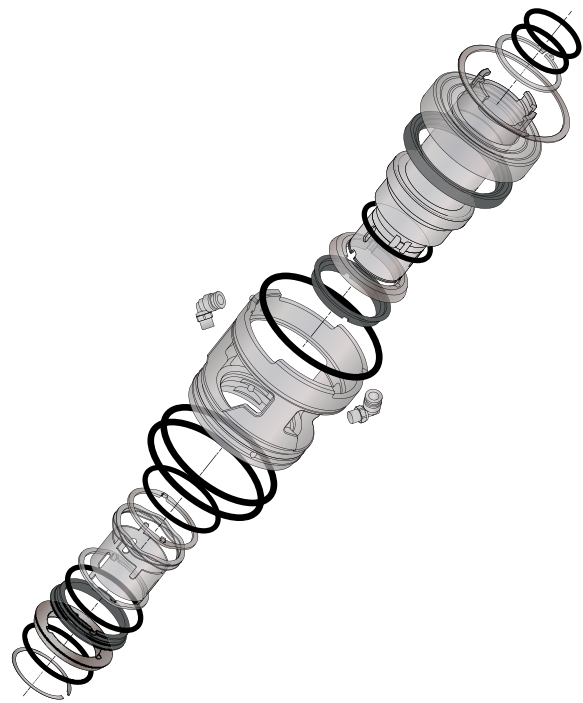
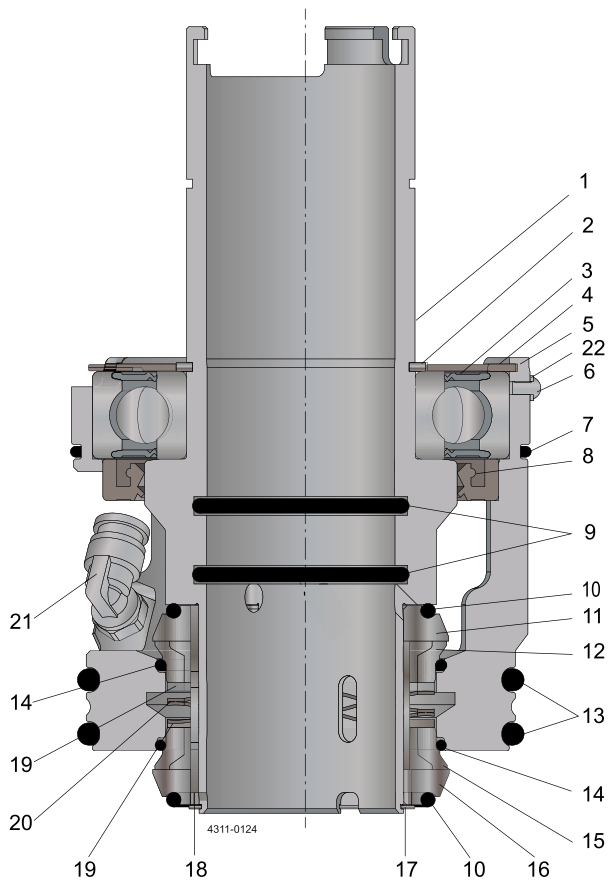
□	Full bearing kit size A30, incl. radial seal & spider*	8010069331
▲	Full bearing kit size A45, incl. radial seal & spider*	8010069332

* Contains bearing and radial seal for cartridge



Cartridge double seal (CD), size A45

Pos	Qty	Denomination	
1	1	Sleeve, seal	
2	1	Retainer	
3	1	Bearing	
4	1	Retainer ring	
5	1	House, seal	
6	1	Pin, grooved	
7	1	O-ring	
8	1	Radial seal	
9	2	O-ring	
10	2	O-ring	
11	1	Seal face	
12	1	Seal face	
13	2	O-ring	
14	2	O-ring	
15	1	Seal face	
16	1	Seal face	
17	1	Retainer ring	
18	1	Sleeve, distance	
19	2	Ring, seal	
20	1	Spring EnSaLine size A45 CD/CWS	8010070544
21	2	Push-In-fitting	
22	1	Washer	



Bearing and radial seal kit

- Bearing and radial seal kit size A45, for cartridge 8010069334

Elastomer kit for externals

- ▲ Elastomer kit for cartridge size A45 CD EPDM 8010069323
- ▲ Elastomer kit for cartridge size A45 CD FPM 8010069325
- ▲ Elastomer kit for cartridge size A45 CD FFKM 8010069327

Elastomer kit for externals (Q-doc)

- △ Elastomer kit for cartridge size A45 CD EPDM Q-doc 8010069324
- △ Elastomer kit for cartridge size A45 CD FPM Q-doc 8010069326
- △ Elastomer kit for cartridge size A45 CD FFKM Q-doc 8010069328

Shaft seal faces for cartridge

- Shaft seal faces for cartridge size A45 CD SiC/SiC-SiC/C .. 8010069300
- Shaft seal faces for cartridge size A45 CD SiC/C-SiC/C 8010069302

Shaft seal faces for cartridge (Q-doc)

- ◇ Shaft seal faces for cartridge size A45 CD SiC/SiC-SiC/C Q-doc 8010069301
- ◇ Shaft seal faces for cartridge size A45 CD SiC/C-SiC/C Q-doc 8010069303

Complete cartridge spares unit

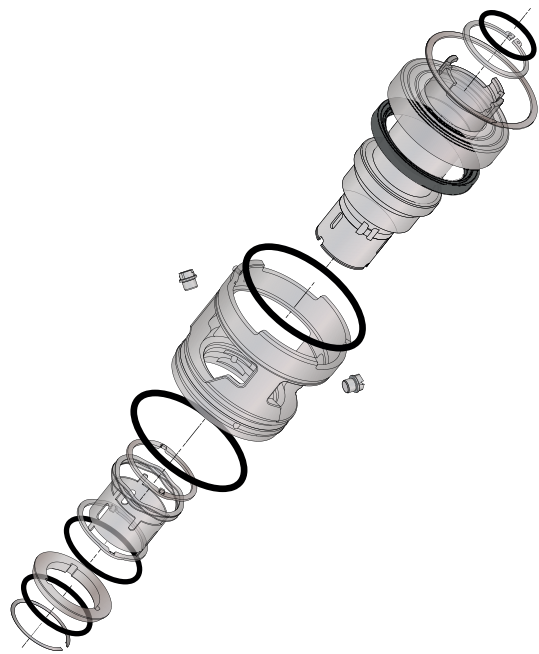
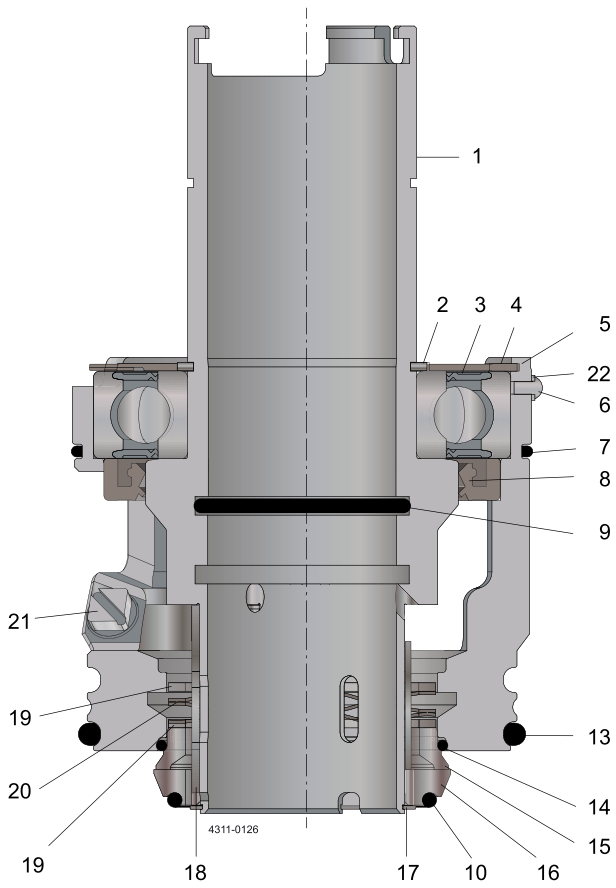
- Spare unit size A45 CD SiC/SiC-SiC/C EPDM 8010069276
- Spare unit size A45 CD SiC/SiC-SiC/C FPM 8010069278
- Spare unit size A45 CD SiC/SiC-SiC/C FFKM 8010069280
- Spare unit size A45 CD SiC/C-SiC/C EPDM 8010069282
- Spare unit size A45 CD SiC/C-SiC/C FPM 8010069284
- Spare unit size A45 CD SiC/C-SiC/C FFKM 8010069286

Complete cartridge spare unit (Q-doc)

- Spare unit size A45 CD SiC/SiC-SiC/C EPDM Q-doc 8010069277
- Spare unit size A45 CD SiC/SiC-SiC/C FPM Q-doc 8010069279
- Spare unit size A45 CD SiC/SiC-SiC/C FFKM Q-doc 8010069281
- Spare unit size A45 CD SiC/C-SiC/C EPDM Q-doc 8010069283
- Spare unit size A45 CD SiC/C-SiC/C FPM Q-doc 8010069285
- Spare unit size A45 CD SiC/C-SiC/C FFKM Q-doc 8010069287

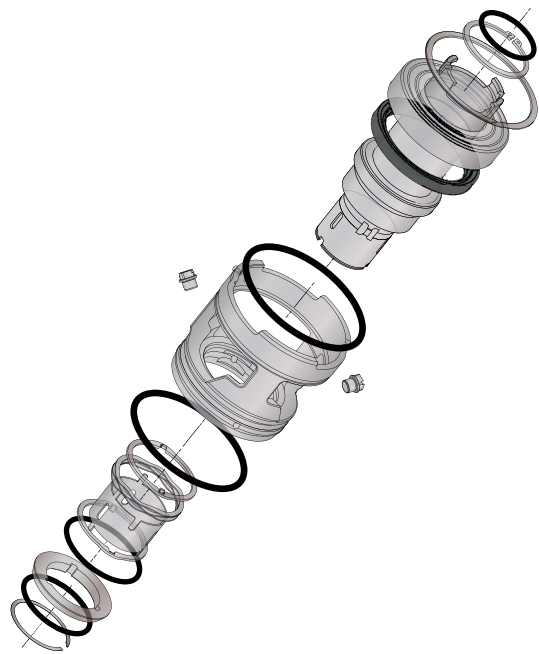
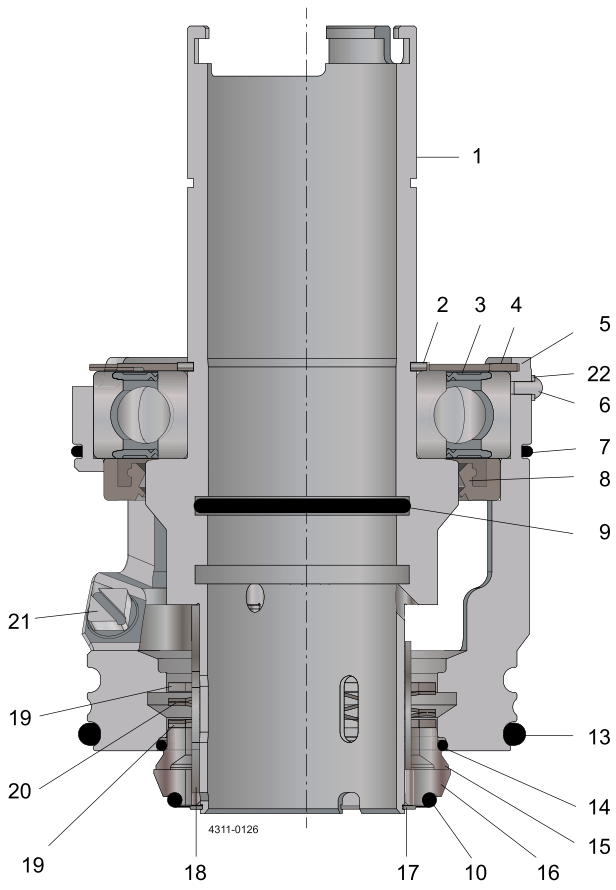
Complete cartridge spare unit (Q-doc + electro polished)

- Spare unit size A45 CD SiC/SiC-SiC/C EP EPDM Q-doc 8010070280
 - Spare unit size A45 CD SiC/SiC-SiC/C EP FPM Q-doc 8010070281
 - Spare unit size A45 CD SiC/SiC-SiC/C EP FFKM Q-doc 8010070282
 - Spare unit size A45 CD SiC/C-SiC/C EP EPDM Q-doc 8010070283
 - Spare unit size A45 CD SiC/C-SiC/C EP FPM Q-doc 8010070284
 - Spare unit size A45 CD SiC/C-SiC/C EP FFKM Q-doc 8010070285
-



Cartridge wet seal (CWS), size A45

Pos	Qty	Denomination	
1	1	Sleeve, s	
2	1	Retainer ring	
3	1	Bearing	
4	1	Retainer ring	
5	1	House, seal	
6	1	Pin, grooved	
7	1	O-ring	
8	1	Radial seal	
9	2	O-ring	
10	2	O-ring	
13	2	O-ring	
14	2	O-ring	
15	1	Seal face	
16	1	Seal face	
17	1	Retainer ring	
18	1	Sleeve, distance	
19	2	Ring, seal	
20	1	Spring EnSaLine size A45 CD/CWS	8010070544
21	2	Plug	
22	1	Washer	



Bearing and radial seal kit

- Bearing and radial seal kit size A45, for cartridge 8010069334

Elastomer kit for externals

- ▲ Elastomer kit for cartridge size A45 CWS EPDM 8010069317
- ▲ Elastomer kit for cartridge size A45 CWS FPM 8010069319
- ▲ Elastomer kit for cartridge size A45 CWS FFKM 8010069321

Elastomer kit for externals (Q-doc)

- △ Elastomer kit for cartridge size A45 CWS EPDM Q-doc 8010069318
- △ Elastomer kit for cartridge size A45 CWS FPM Q-doc 8010069320
- △ Elastomer kit for cartridge size A45 CWS FFKM Q-doc 8010069322

Shaft seal faces for cartridge

- Shaft seal faces for cartridge size A45 CWS SiC/C 8010069296
- Shaft seal faces for cartridge size A45 CWS SiC/SiC 8010069298

Shaft seal faces for cartridge (Q-doc)

- ◇ Shaft seal faces for cartridge size A45 CWS SiC/C Q-doc .. 8010069297
- ◇ Shaft seal faces for cartridge size A45 CWS SiC/SiC Q-doc 8010069299

Complete cartridge spare unit

- Spare unit size A45 CWS SiC/C EPDM 8010069263
- Spare unit size A45 CWS SiC/C FPM 8010069265
- Spare unit size A45 CWS SiC/C FFKM 8010069268
- Spare unit size A45 CWS SiC/SiC EPDM 8010069270
- Spare unit size A45 CWS SiC/SiC FPM 8010069272
- Spare unit size A45 CWS SiC/SiC FFKM 8010069274

Complete cartridge spare unit (Q-doc)

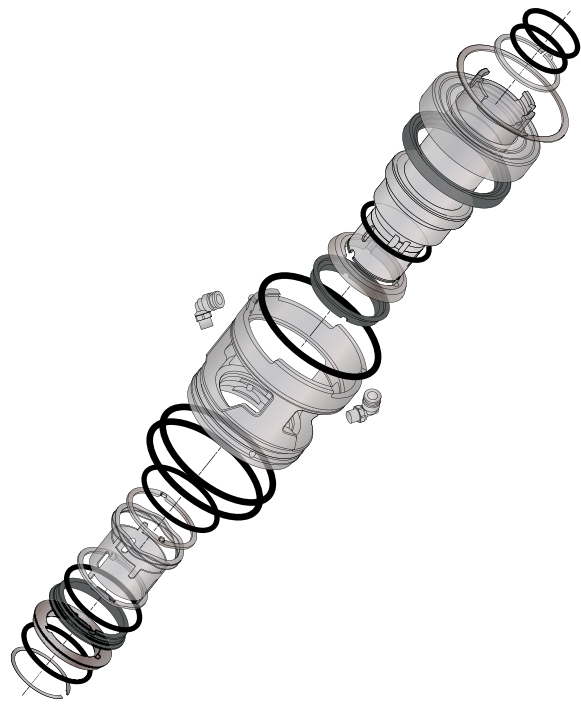
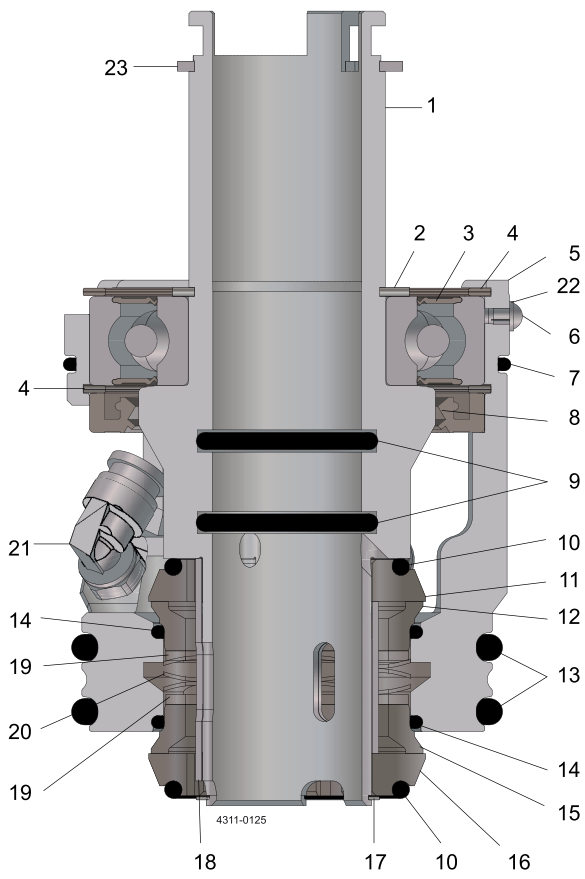
- Spare unit size A45 CWS SiC/C EPDM Q-doc 8010069264
- Spare unit size A45 CWS SiC/C FPM Q-doc 8010069266
- Spare unit size A45 CWS SiC/C FFKM Q-doc 8010069269
- Spare unit size A45 CWS SiC/SiC EPDM Q-doc 8010069271
- Spare unit size A45 CWS SiC/SiC FPM Q-doc 8010069273
- Spare unit size A45 CWS SiC/SiC FFKM Q-doc 8010069275

Complete cartridge spare unit (Q-doc + electro polished)

- Spare unit size A45 CWS SiC/C EP EPDM Q-doc 8010070274
 - Spare unit size A45 CWS SiC/C EP FPM Q-doc 8010070275
 - Spare unit size A45 CWS SiC/C EP FFKM Q-doc 8010070276
 - Spare unit size A45 CWS SiC/SiC EP EPDM Q-doc 8010070277
 - Spare unit size A45 CWS SiC/SiC EP FPM Q-doc 8010070278
 - Spare unit size A45 CWS SiC/SiC EP FFKM Q-doc 8010070279
-

Cartridge double seal (CD), size A30

Pos	Qty	Denomination	
1	1	Sleeve, seal	
2	1	Retainer ring	
3	1	Bearing	
4	1	Retainer ring	
5	1	House, seal	
6	1	Pin, grooved	
7	1	O-ring	
8	1	Radial seal	
9	2	O-ring	
10	2	O-ring	
11	1	Seal face	
12	1	Seal face	
13	2	O-ring	
14	2	O-ring	
15	1	Seal face	
16	1	Seal face	
17	1	Retainer ring	
18	1	Sleeve, distance	
19	2	Ring, seal	
20	1	Spring EnSaLine size A30 CD/CWS	8010070543
21	2	Push-in-fitting	
22	1	Washer	
23	1	Retainer ring	



Bearing and radial seal kit

□ Bearing and radial seal kit size A30, for cartridge 8010069333

Elastomer kit for externals

▲ Elastomer kit for cartridge size A30 CD EPDM 8010069311
 ▲ Elastomer kit for cartridge size A30 CD FPM 8010069313
 ▲ Elastomer kit for cartridge size A30 CD FFKM 8010069315

Elastomer kit for externals (Q-doc)

△ Elastomer kit for cartridge size A30 CD EPDM Q-doc 8010069312
 △ Elastomer kit for cartridge size A30 CD FPM Q-doc 8010069314
 △ Elastomer kit for cartridge size A30 CD FFKM Q-doc 8010069316

Shaft seal faces for cartridge

■ Shaft seal faces for cartridge size A30 CD SiC/SiC-SiC/C .. 8010069292
 ■ Shaft seal faces for cartridge size A30 CD SiC/C-SiC/C 8010069294

Shaft seal faces for cartridge (Q-doc)

◇ Shaft seal faces for cartridge size A30 CD SiC/SiC-SiC/C
 Q-doc 8010069293
 ◇ Shaft seal faces for cartridge size A30 CD SiC/C-SiC/C
 Q-doc 8010069295

Complete cartridge spare unit

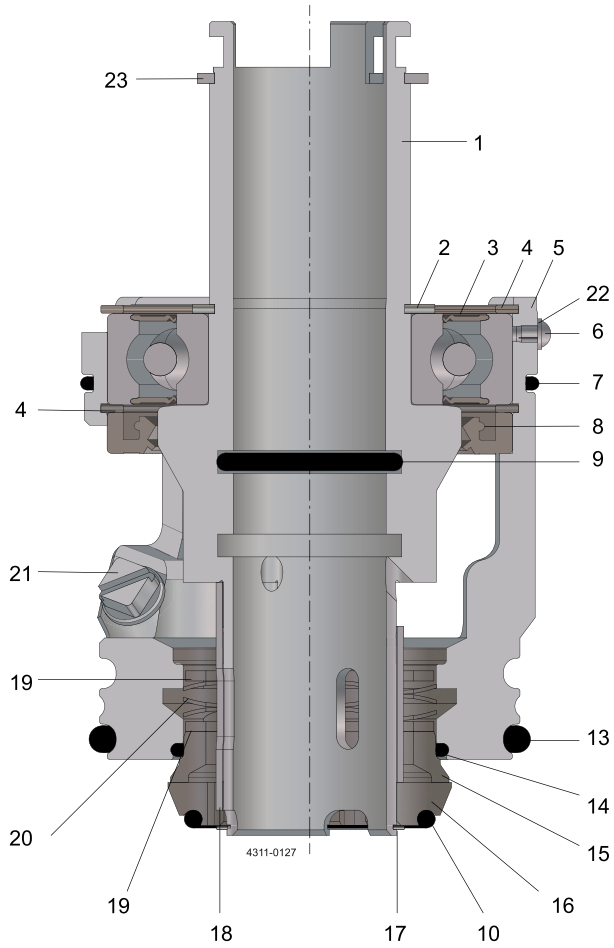
Spare unit size A30 CD SiC/SiC-SiC/C EPDM 8010069251
 Spare unit size A30 CD SiC/SiC-SiC/C FPM 8010069253
 Spare unit size A30 CD SiC/SiC-SiC/C FFKM 8010069255
 Spare unit size A30 CD SiC/C-SiC/C EPDM 8010069257
 Spare unit size A30 CD SiC/C-SiC/C FPM 8010069259
 Spare unit size A30 CD SiC/C-SiC/C FFKM 8010069261

Complete cartridge spare unit (Q-doc)

Spare unit size A30 CD SiC/SiC-SiC/C EPDM Q-doc 8010069252
 Spare unit size A30 CD SiC/SiC-SiC/C FPM Q-doc 8010069254
 Spare unit size A30 CD SiC/SiC-SiC/C FFKM Q-doc 8010069256
 Spare unit size A30 CD SiC/C-SiC/C EPDM Q-doc 8010069258
 Spare unit size A30 CD SiC/C-SiC/C FPM Q-doc 8010069260
 Spare unit size A30 CD SiC/C-SiC/C FFKM Q-doc 8010069262

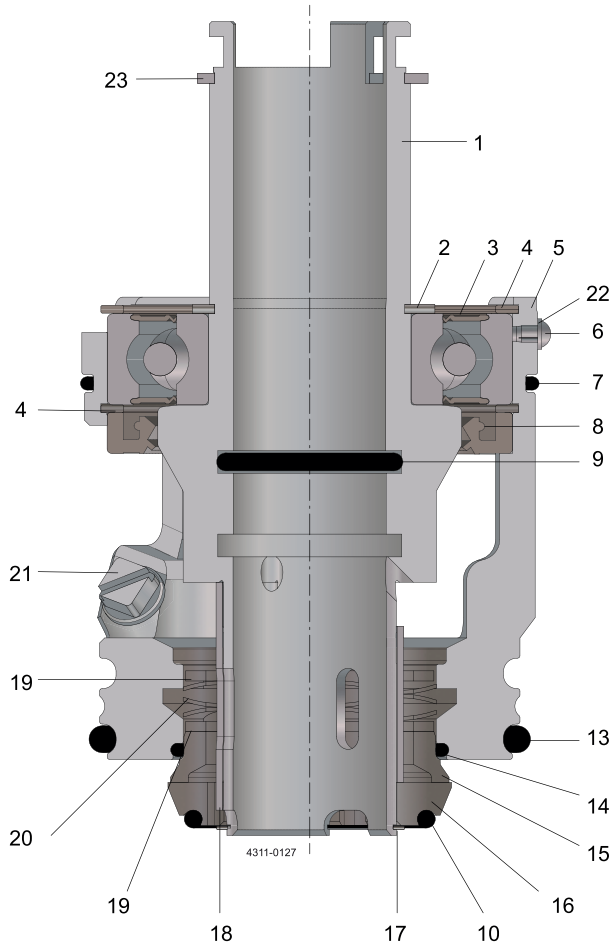
Complete cartridge spare unit (Q-doc + electro polished)

Spare unit size A30 CD SiC/SiC-SiC/C EP EPDM Q-doc 8010070268
 Spare unit size A30 CD SiC/SiC-SiC/C EP FPM Q-doc 8010070269
 Spare unit size A30 CD SiC/SiC-SiC/C EP FFKM Q-doc 8010070270
 Spare unit size A30 CD SiC/C-SiC/C EP EPDM Q-doc 8010070271
 Spare unit size A30 CD SiC/C-SiC/C EP FPM Q-doc 8010070272
 Spare unit size A30 CD SiC/C-SiC/C EP FFKM Q-doc 8010070273



Cartridge wet seal (CWS), size A30

Pos	Qty	Denomination	
1	1	Sleeve, seal	
2	1	Retainer ring	
3	1	Bearing	
4	1	Retainer ring	
5	1	House, seal	
6	1	Pin, grooved	
7	1	O-ring	
8	1	Radial seal	
9	2	O-ring	
10	2	O-ring	
13	2	O-ring	
14	2	O-ring	
15	1	Seal face	
16	1	Seal face	
17	1	Retainer ring	
18	1	Sleeve, distance	
19	2	Ring, seal	
20	1	Spring EnSaLine size A30 CD/CWS	8010070543
21	2	Plug	
22	1	Washer	
23	1	Retainer ring	



Bearing and radial seal kit

- Bearing and radial seal kit size A30, for cartridge 8010069333

Elastomer kit for externals

- ▲ Elastomer kit for cartridge size A30 CWS EPDM 8010069304
- ▲ Elastomer kit for cartridge size A30 CWS FPM 8010069306
- ▲ Elastomer kit for cartridge size A30 CWS FFKM 8010069309

Elastomer kit for externals (Q-doc)

- △ Elastomer kit for cartridge size A30 CWS EPDM Q-doc 8010069305
- △ Elastomer kit for cartridge size A30 CWS FPM Q-doc 8010069308
- △ Elastomer kit for cartridge size A30 CWS FFKM Q-doc 8010069310

Shaft seal faces for cartridge

- Shaft seal faces for cartridge size A30 CWS SiC/C 8010069288
- Shaft seal faces for cartridge size A30 CWS SiC/SiC 8010069290

Shaft seal faces for cartridge (Q-doc)

- ◇ Shaft seal faces for cartridge size A30 CWS SiC/C Q-doc .. 8010069289
- ◇ Shaft seal faces for cartridge size A30 CWS SiC/SiC Q-doc 8010069291

Complete cartridge spare unit

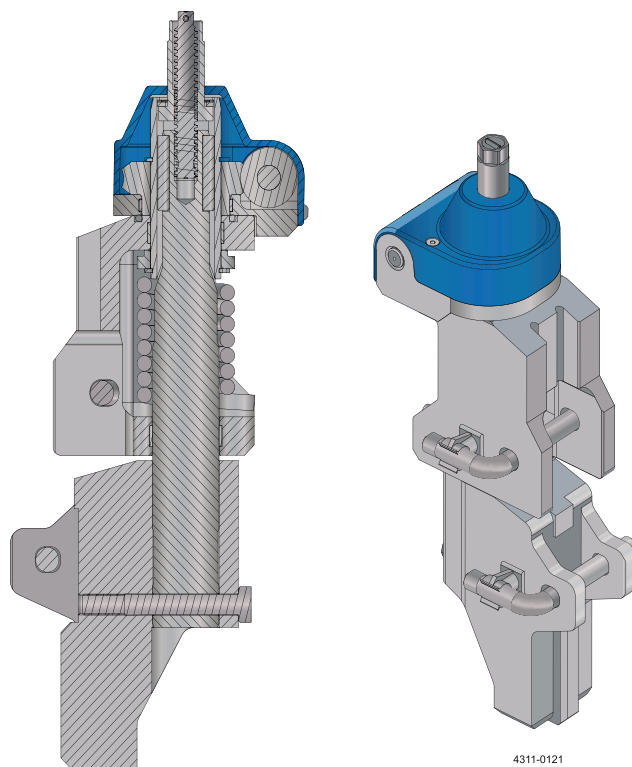
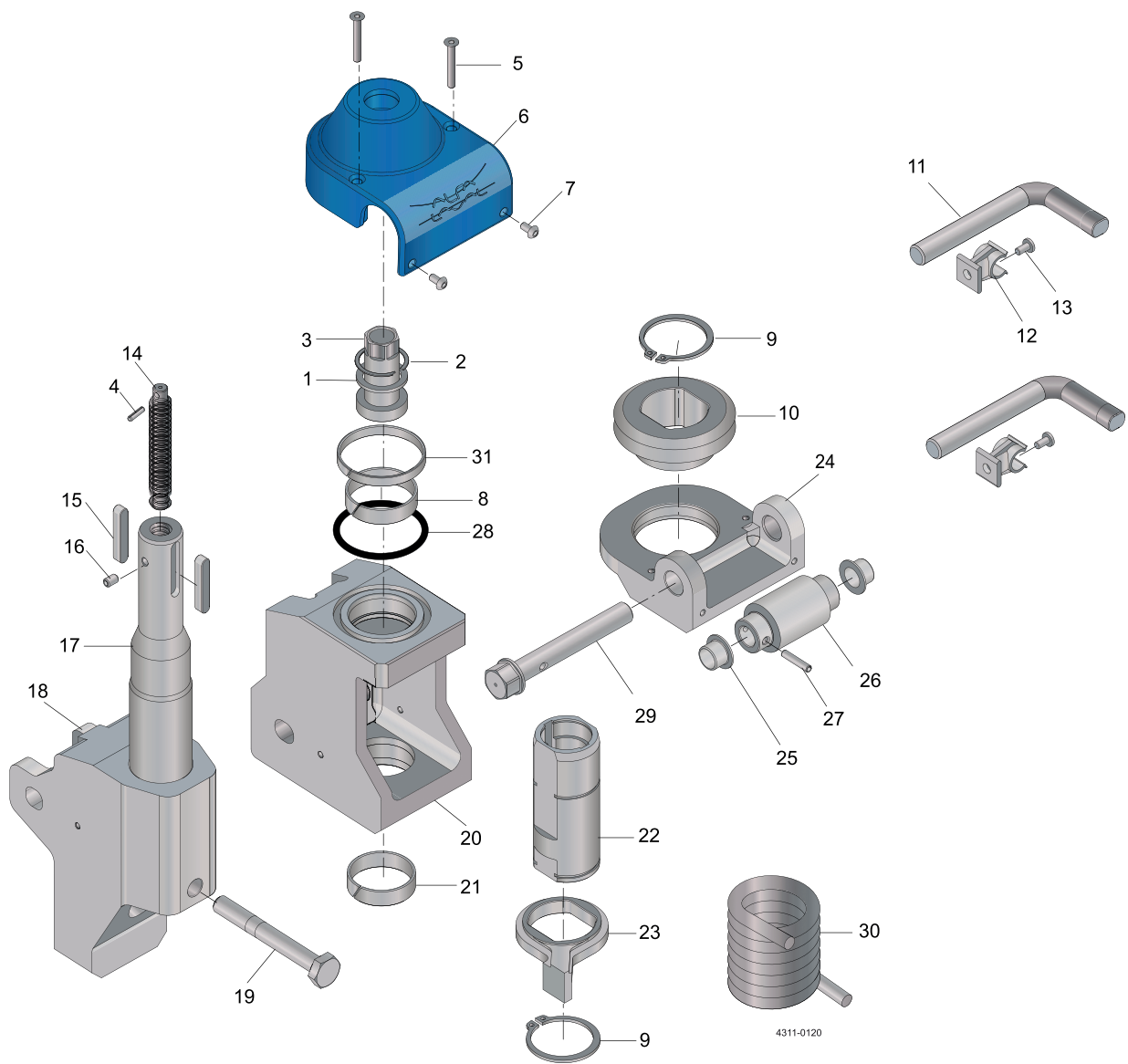
- Spare unit size A30 CWS SiC/C EPDM 8010069239
- Spare unit size A30 CWS SiC/C FPM 8010069241
- Spare unit size A30 CWS SiC/C FFKM 8010069243
- Spare unit size A30 CWS SiC/SiC EPDM 8010069245
- Spare unit size A30 CWS SiC/SiC FPM 8010069247
- Spare unit size A30 CWS SiC/SiC FFKM 8010069249

Complete cartridge spare unit (Q-doc)

- Spare unit size A30 CWS SiC/C EPDM Q-doc 8010069240
- Spare unit size A30 CWS SiC/C FPM Q-doc 8010069242
- Spare unit size A30 CWS SiC/C FFKM Q-doc 8010069244
- Spare unit size A30 CWS SiC/SiC EPDM Q-doc 8010069246
- Spare unit size A30 CWS SiC/SiC FPM Q-doc 8010069248
- Spare unit size A30 CWS SiC/SiC FFKM Q-doc 8010069250

Complete cartridge spare unit (Q-doc + electro polished)

- Spare unit size A30 CWS SiC/C EP EPDM Q-doc 8010070262
 - Spare unit size A30 CWS SiC/C EP FPM Q-doc 8010070263
 - Spare unit size A30 CWS SiC/C EP FFKM Q-doc 8010070264
 - Spare unit size A30 CWS SiC/SiC EP EPDM Q-doc 8010070265
 - Spare unit size A30 CWS SiC/SiC EP FPM Q-doc 8010070266
 - Spare unit size A30 CWS SiC/SiC EP FFKM Q-doc 8010070267
-

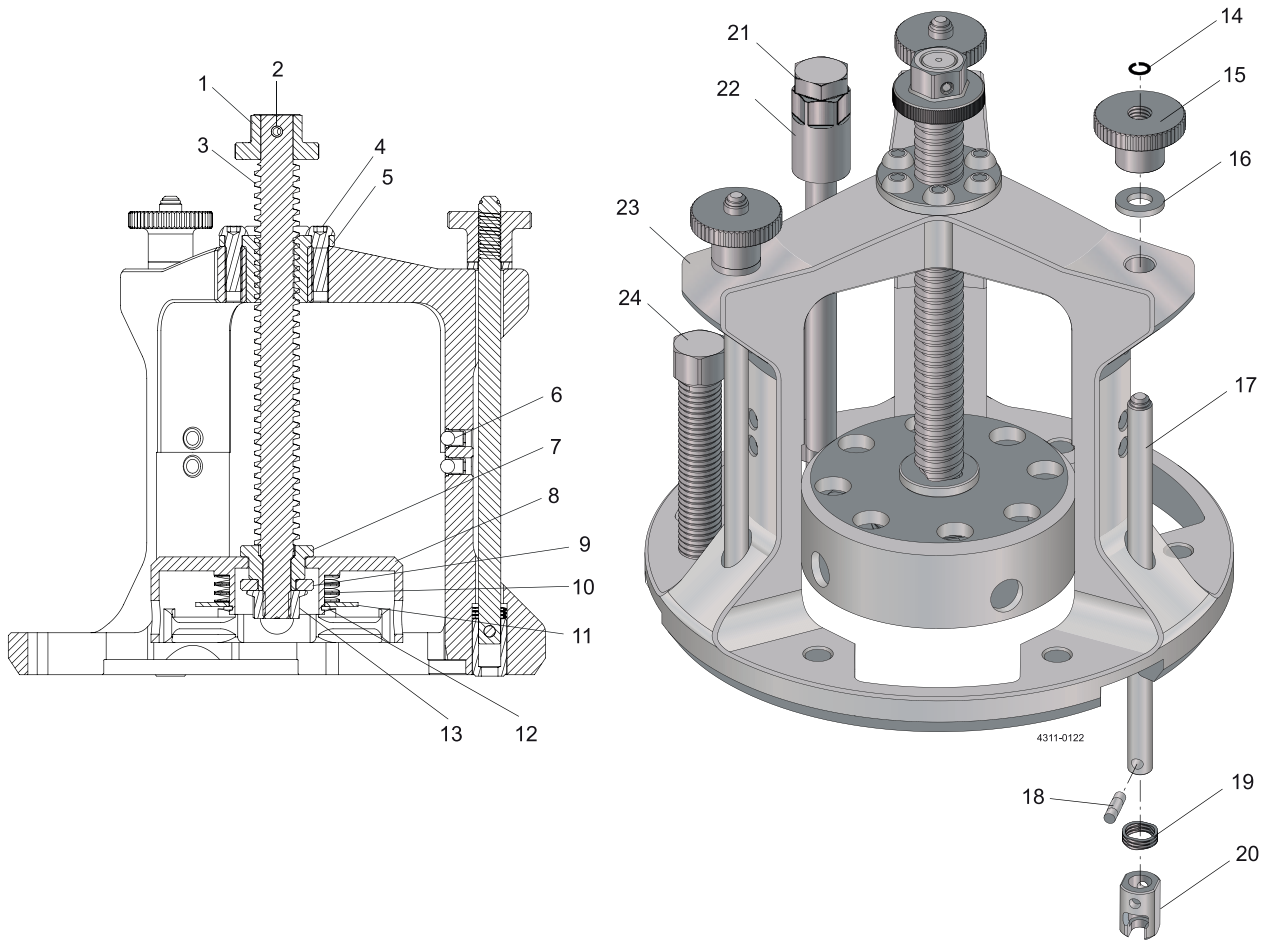


Hinge jack

Pos	Qty	Denomination
1	2	Back plate
2	1	Retainer ring
3	<input type="checkbox"/>	1 Nut
4	<input type="checkbox"/>	1 Pin, slotted spring
5	2	Screw
6	1	Worm gear cap
7	2	Screw
8	<input type="checkbox"/>	1 Guide ring
9	2	Retainer ring
10	1	Worm gear wheel
11	2	Pin
12	2	Pipe clamp
13	2	Screw
14	1	Threaded rod
15	2	Parallel key
16	1	Set screw
17	1	Center shaft
18	1	Base bracket
19	1	Screw
20	1	Swivel bracket
21	<input type="checkbox"/>	1 Guide ring
22	1	Pully
23	1	Torque arm
24	1	Worm gear housing
25	<input type="checkbox"/>	2 Sleeve bearing
26	1	Worm screw
27	<input type="checkbox"/>	1 Pin, slotted spring
28	<input type="checkbox"/>	1 O-ring
29	1	Worm screw shaft
30	1	Torsion spring
31	<input type="checkbox"/>	1 Guide ring

Renovation kit

Renovation kit for hinge jack size A30/A45 8010069335

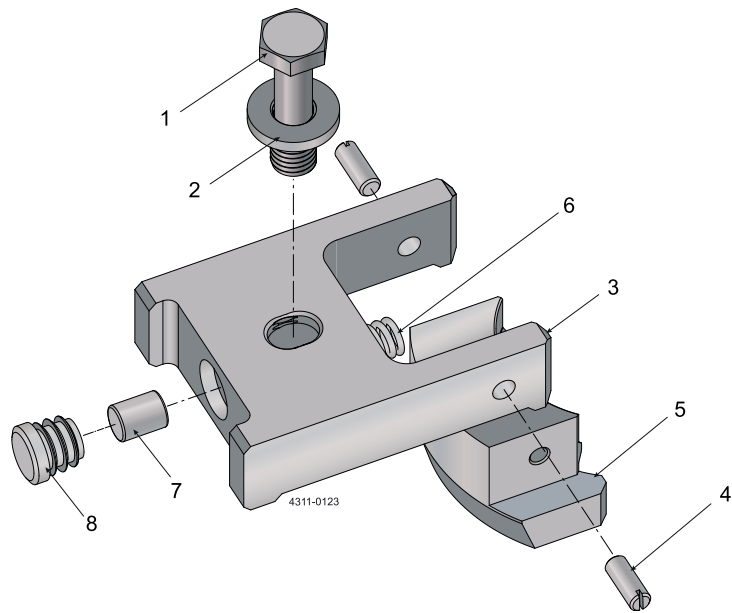


Center jack

Pos	Qty	Denomination
1	1	Knurled screw head
2	1	Pin, slotted spring
3	1	Threaded rod
4	6	Screw
5	1	Thread insert
6	6	Spring plunger
7	□▲	1 Swivel bushing
8	▲	1 Swivel joint
9	□▲	1 Swivel washer
10	1	Wave spring
11	1	Disc
12	1	Retainer ring
13	1	Flange nut
14	3	Snap ring
15	3	Knurled nut high
16	3	Washer
17	3	Stud
18	▲	3 Pin, grooved
19	3	Wave spring
20	▲	3 Mushroom connector
21	1	Screw
22	1	Nut special
23	1	Center jack frame
24	1	Screw

Renovation & wear part kit

- Wear part kit for center jack, size A30/A45 8010069336
 - ▲ Renovation kit for center jack, size A30/A45 8010069338
-



Shaft retainer

Pos	Qty	Denomination
1	1	Screw
2	1	Washer
3	1	Shaft retainer arm
4	2	Set screw
5	1	Shaft retainer clamp
6	1	Spring
7	1	Magnet
8	1	Plug

How to contact Alfa Laval

Contact details for all countries are continually updated on our website.

Please visit www.alfalaval.com to access the information directly.

© Alfa Laval Corporate AB

This document and its contents is owned by Alfa Laval Corporate AB and protected by laws governing intellectual property and thereto related rights. It is the responsibility of the user of this document to comply with all applicable intellectual property laws. Without limiting any rights related to this document, no part of this document may be copied, reproduced or transmitted in any form or by any means (electronic, mechanical, photocopying, recording, or otherwise), or for any purpose, without the expressed permission of Alfa Laval Corporate AB. Alfa Laval Corporate AB will enforce its rights related to this document to the fullest extent of the law, including the seeking of criminal prosecution.