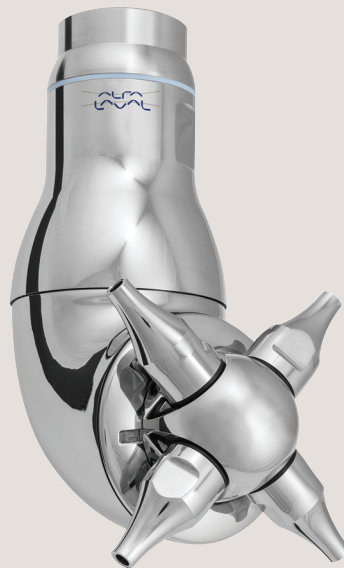




## Spare Parts

### Alfa Laval TJ40G Rotary Jet Head



ESE03305-EN11      2021-08

Original manual



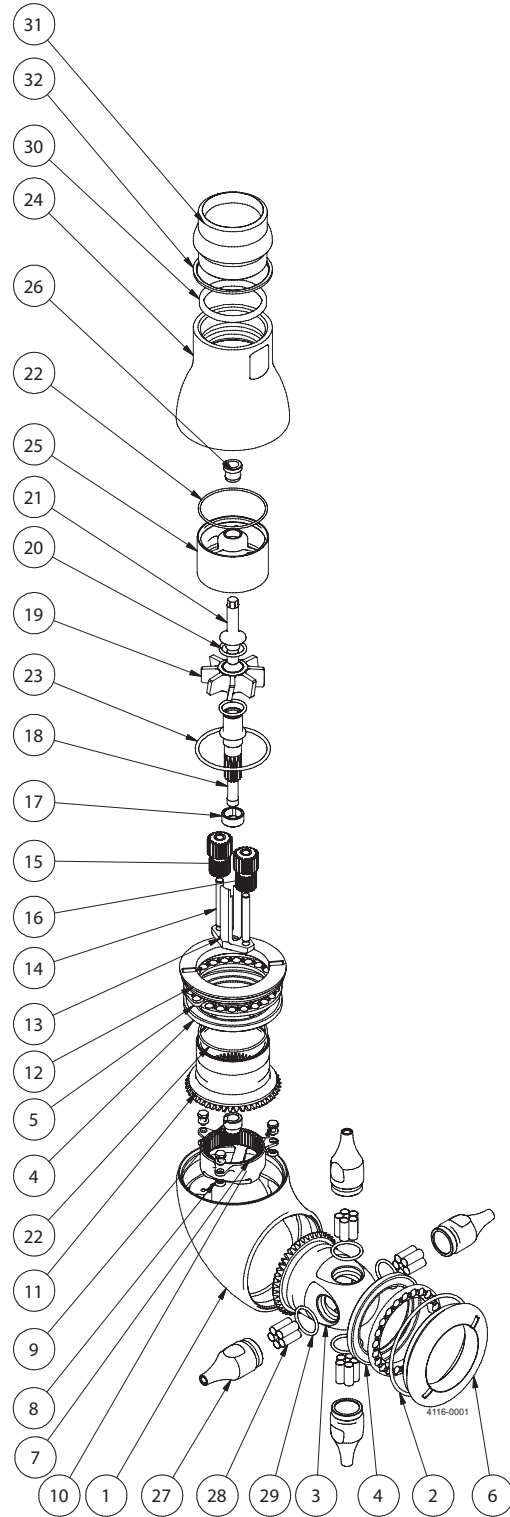
## Table of contents

---

*The information herein is correct at the time of issue but may be subject to change without prior notice*

1. Alfa Laval TJ40G/TJ40G-HD Part drawings, lists, service kits & tools Serial numbers from 2021-01270 .....	4
2. Alfa Laval TJ40G/TJ40G-HD previous version Part drawings, lists, service kits & tools Serial numbers up to 2021-01137 .....	12

TJ40G



**Alfa Laval TJ40G/TJ40G-HD**  
**Part drawings, lists, service kits & tools**  
**Serial numbers from 2021-01270**

Pos	Qty	Denomination	Item no.	Material	Remark
<b>TJ40G</b>					
1	1	Body, <sup>1)</sup>	9690000501	Stainless steel	*Note
2	◆●	O-ring	9690003801	Elastomer	Wear part
3		Hub	9690000801	Stainless steel	Spare part
4	●	Ball race	9690001101	Stainless steel	Wear part
5	●	Ball retainer w. balls	TE20G318	Polymer/SS	Wear part
6	●	Hub nut	9690000601	Stainless steel	Wear part
7		Gear ring	9690001601	Stainless steel	Spare part
8		Seal ring	TE20J509	Polymer	Wear part
9	◆●	Bearing f. body	9690003301	Polymer	Wear part
10		Screw f. body	TE20J550	Stainless steel	Spare part
11		Stem	8010005384	Stainless steel	Spare part
12	●	Stem nut	9690001201	Stainless steel	Wear part
13+14	1	GEAR ASSEMBLY TJ40G, complete	9690007201	Stainless steel	Spare part
13		Gear frame		Stainless steel	Spare part
14	2	Shaft f. planet gear		Stainless steel	Spare part
15	◆●	Planet wheel I	9690003601	Polymer	Wear part
16	◆●	Planet wheel II	9690003701	Polymer	Wear part
17	◆●	Bushing f. planet gear	9690003401	Polymer	Wear part
18		Impeller shaft	9690002501	Stainless steel	Spare part
19	□	Impeller, -1	9690002601	Polymer	Spare part
	□	Impeller, -2	9690002701	Polymer	Spare part
	□	Impeller, -3	9690002801	Polymer	Spare part
	□	Impeller, -4	9690003001	Polymer	Spare part
20	2	O-ring	TE51T135	Elastomer	Wear part
21		Shaft end	TE20J542	Stainless steel	Spare part
22	◆●	O-ring	9690005601	Elastomer	Wear part
23	◆●	O-ring	TE51T169	Elastomer	Wear part
24		Cone	9690001501	Stainless steel	Spare part
25	□	Guide, - 1	9690004501	Polymer	Spare part
	□	Guide, - 2	9690004701	Polymer	Spare part
	□	Guide, - 3	9690004901	Polymer	Spare part
	□	Guide, - 4	9690005001	Polymer	Spare part
26	◆●	Bearing f. turbine top	TE20G548	Polymer	Wear part
27.1	□	4/2 Nozzle, <sup>2)</sup>		Stainless steel	Spare part
	□	4/2 Nozzle, Burst, <sup>2)</sup>		Stainless steel	Spare part
27.2	□	0/2 Blind cap, <sup>3)</sup>	9690006901	Stainless steel	Spare part
28		20/1 Nozzle vane		Stainless steel	Spare part
29	◆●	O-ring	9690005501	Elastomer	Wear part
30		Gasket f. cone - inside	9690003201	Elastomer	Spare part
32		Gasket f. cone - outside	9690005201	Elastomer	Other prod.

<sup>1)</sup>: Position 1 is not sold as single spare part component. Only sold as part of a machine maintenance/repair order. For further information please contact Alfa Laval Customer Support.

<sup>2)</sup> For nozzles as spare parts or refitting with burst nozzles, please choose from scheme underneath.

<sup>3)</sup> Note pos. 27.2: For blinding holes on 2 nozzle versions.

Please note that some of the polymer parts are in PEEK, which is not resistant to concentrated sulfuric acid.

Scheme, nozzles complete			
Item no.	Denomination	Item no.	Denomination
9690007101	Nozzle ø6.0 f. TJ40G complete	9690007115	Nozzle, Burst, ø6.0 f. TJ40G complete
9690007102	Nozzle ø6.6 f. TJ40G complete	9690007116	Nozzle, Burst, ø6.6 f. TJ40G complete
9690007103	Nozzle ø7.3 f. TJ40G complete	9690007117	Nozzle, Burst, ø7.3 f. TJ40G complete
9690007104	Nozzle ø8.1 f. TJ40G complete	9690007118	Nozzle, Burst, ø8.1 f. TJ40G complete
9690007105	Nozzle ø9.0 f. TJ40G complete	9690007119	Nozzle, Burst, ø9.0 f. TJ40G complete
9690007106	Nozzle ø10.0 f. TJ40G complete	9690007120	Nozzle, Burst, ø10.0 f. TJ40G complete
9690007107	Nozzle ø11.2 f. TJ40G complete	9690007121	Nozzle, Burst, ø11.2 f. TJ40G complete

**Item no.**

**Service kits**

- ◆ **Minor service kit TJ40G and TJ40G-HD** ..... 8010005535
- ◆ **Minor service kit TJ40G and TJ40G-HD - Q-Doc** ..... 8010005541
- **Major service kit TJ40G** ..... 8010005542
- **Major service kit TJ40G - Q-Doc** ..... 8010005546

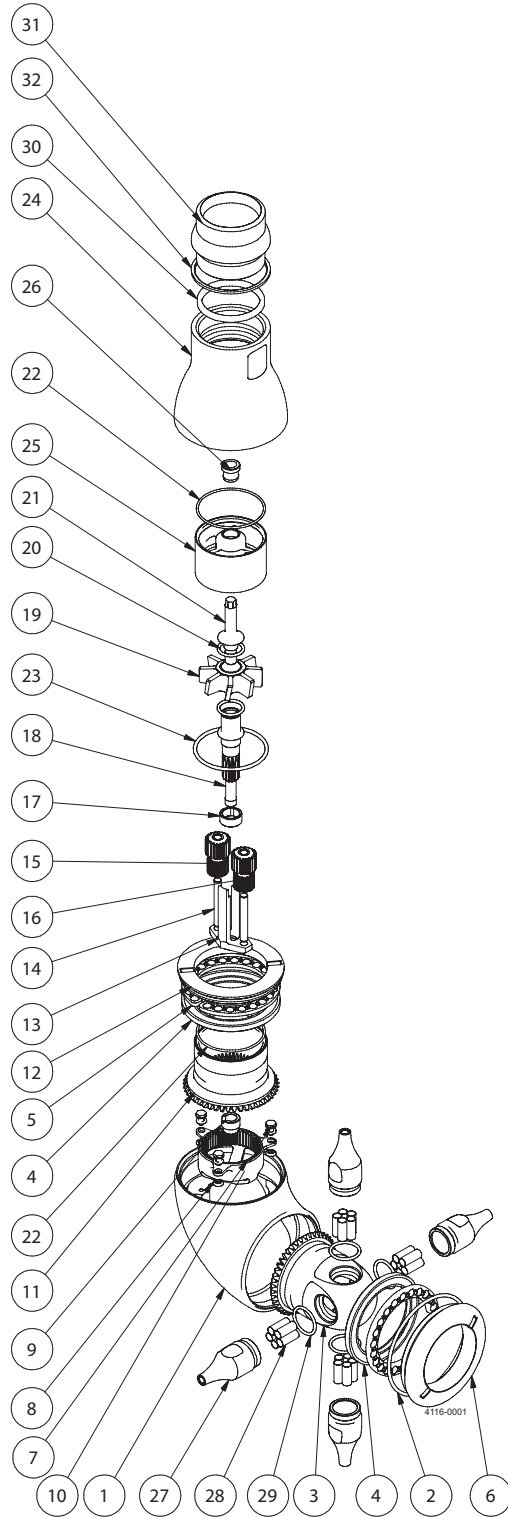
□ Configuration according to delivery note/order.

Parts marked with ◆ are included in the **Minor Service Kits** for TJ40G/TJ40G-HD and TJ40G/TJ40G-HD - Q-Doc

Parts marked with ● are included in the **Major Service Kits** for TJ40G/TJ40G - Q-Doc

The machine can be delivered with ATEX/IECEx certification.

TJ40G-HD



**Alfa Laval TJ40G/TJ40G-HD**  
**Part drawings, lists, service kits & tools**  
**Serial numbers from 2021-01270**

Pos	Qty	Denomination	Item no.	Material	Remark
<b>TJ40G-HD</b>					
1	1	Body, <sup>1)</sup>	9690000501	Stainless steel	*Note
2	◆●	O-ring	9690003801	Elastomer	Wear part
3		Hub	9690000801	Stainless steel	Spare part
4	●	Ball race	9690001101	Stainless steel	Wear part
5	●	Ball retainer w. balls	TE20G318	Polymer/SS	Wear part
6	●	Hub nut - HD	9690000701	Stainless steel	Wear part
7		Gear ring	9690001601	Stainless steel	Spare part
8		Seal ring	TE20J509	Polymer	Wear part
9	◆●	Bearing f. body	9690003301	Polymer	Wear part
10		Screw f. body	TE20J550	Stainless steel	Spare part
11		Stem	8010005384	Stainless steel	Spare part
12	●	Stem nut - HD	9690001301	Stainless steel	Wear part
13+14		Gear assembly, complete	9690007201	Stainless steel	Spare part
13		Gear frame		Stainless steel	Spare part
14		Shaft f. planet gear		Stainless steel	Spare part
15	◆●	Planet wheel I	9690003601	Polymer	Wear part
16	◆●	Planet wheel II	9690003701	Polymer	Wear part
17	◆●	Bushing f. planet gear	9690003401	Polymer	Wear part
18		Impeller shaft	9690002501	Stainless steel	Spare part
19	□	Impeller, - 1	9690002601	Polymer	Spare part
	□	Impeller, - 2	9690002701	Polymer	Spare part
	□	Impeller, - 3	9690002801	Polymer	Spare part
	□	Impeller, - 4	9690003001	Polymer	Spare part
20	2	O-ring	TE51T135	Elastomer	Wear part
21		Shaft end	TE20J542	Stainless steel	Spare part
22	◆●	O-ring	9690005601	Elastomer	Wear part
23	◆●	O-ring	TE51T169	Elastomer	Wear part
24		Cone	9690001501	Stainless steel	Spare part
25	□	Guide, - 1	9690004501	Polymer	Spare part
	□	Guide, - 2	9690004701	Polymer	Spare part
	□	Guide, - 3	9690004901	Polymer	Spare part
	□	Guide, - 4	9690005001	Polymer	Spare part
26	◆●	Bearing f. turbine top	TE20G548	Polymer	Wear part
27.1	□	4/2 Nozzle, <sup>2)</sup>		Stainless steel	Spare part
	□	4/2 Nozzle, Burst, <sup>2)</sup>		Stainless steel	Spare part
27.2	□	0/2 Blind cap, <sup>3)</sup>	9690006901	Stainless steel	Spare part
28		20/1 Nozzle vane		Stainless steel	Spare part
29	◆●	O-ring	9690005501	Elastomer	Wear part
30		Gasket f. cone - inside	9690003201	Elastomer	Spare part
32		Gasket f. cone - outside	9690005201	Elastomer	Other prod.

1): Position 1 is not sold as single spare part component. Only sold as part of a machine maintenance/repair order. For further information please contact Alfa Laval Customer Support.

2): For nozzles as spare parts or refitting with burst nozzles, please choose from scheme underneath.

3) pos. 27.2: For blinding holes on 2 nozzle versions.

Scheme, nozzles complete			
Item no.	Denomination	Item no.	Denomination
9690007101	Nozzle ø6.0 f. TJ40G complete	9690007115	Nozzle, Burst, ø6.0 f. TJ40G complete
9690007102	Nozzle ø6.6 f. TJ40G complete	9690007116	Nozzle, Burst, ø6.6 f. TJ40G complete
9690007103	Nozzle ø7.3 f. TJ40G complete	9690007117	Nozzle, Burst, ø7.3 f. TJ40G complete
9690007104	Nozzle ø8.1 f. TJ40G complete	9690007118	Nozzle, Burst, ø8.1 f. TJ40G complete
9690007105	Nozzle ø9.0 f. TJ40G complete	9690007119	Nozzle, Burst, ø9.0 f. TJ40G complete
9690007106	Nozzle ø10.0 f. TJ40G complete	9690007120	Nozzle, Burst, ø10.0 f. TJ40G complete
9690007107	Nozzle ø11.2 f. TJ40G complete	9690007121	Nozzle, Burst, ø11.2 f. TJ40G complete

**Item no.**

**Service kits**

- ◆ **Minor service kit for TJ40G and TJ40G-HD** ..... 8010005535
- ◆ **Minor service kit TJ40G and TJ40G-HD - Q-Doc** ..... 8010005541
- **Major service kit TJ40G-HD** ..... 8010005547
- **Major service kit TJ40G-HD - Q-Doc** ..... 8010005548

□ Configuration according to delivery note/order.

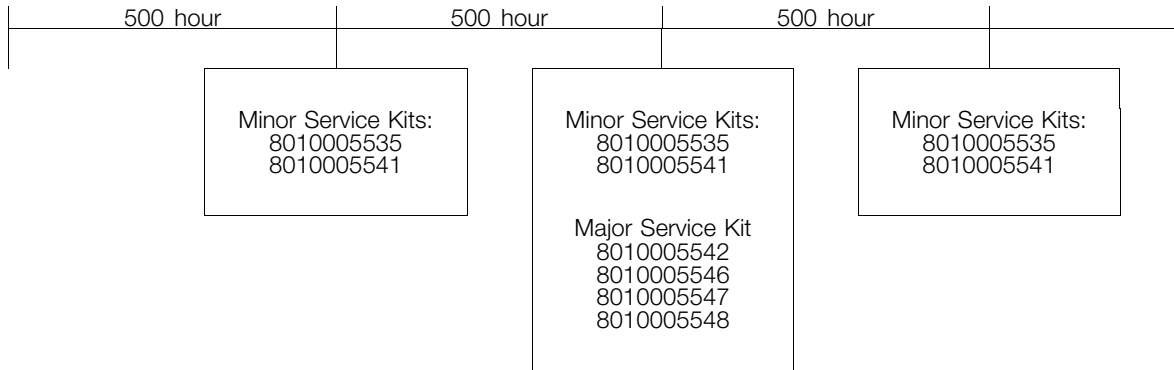
Parts marked with ◆ are included in the **Minor Service Kits** for TJ40G/TJ40G-HD and TJ40G/TJ40G-HD - Q-Doc

Parts marked with ● are included in the **Major Service Kits** for TJ40G-HD/TJ40G-HD - Q-Doc

The machine can be delivered with ATEX/IECEx certification.

## Service intervals

### TJ40G and TJ40G-HD



The service intervals are recommended on the basis of pure liquids. When liquids contain particles and other kind of abrasives, we recommend shorter service intervals depending on the actual running conditions.



Alfa Laval TJ40G/TJ40G-HD  
 Part drawings, lists, service kits & tools  
 Serial numbers from 2021-01270

Pos	Qty	Denomination	TJ40G & TJ40G-HD Item no. 8010005535	TJ40G & TJ40G-HD Q-doc Item no. 8010005541
-----	-----	--------------	---	--

Minor service kits

1		TJ40G Bearing f. body .....	9690003301	9690003301
1		TJ40G Bushing f. Planet gear .....	9690003401	9690003401
1		TJ40G Gear wheel I .....	9690003601	9690003601
1		TJ40G Gear wheel II .....	9690003701	9690003701
1		O-ring .....	9690003801	9690003801
4		O-ring .....	9690005501	9690005501
2		O-ring .....	9690005601	9690005601
1		O-ring .....	TE51T169	TE51T169
1		Bearing for turbine shaft, top .....	TE20G548	TE20G548

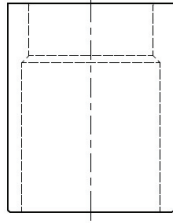
Pos	Qty	Denomination	TJ40G Item no. 8010005542	TJ40G Q-doc Item no. 8010005546	TJ40G HD Item no. 8010005547	TJ40G HD Q-doc Item no. 8010005548
-----	-----	--------------	---------------------------------	---------------------------------------	------------------------------------	---

Major service kits

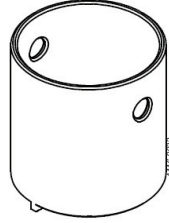
1		TJ40G Hub nut .....	9690000601	9690000601	9690000701	9690000701
2		TJ40G Ball race .....	9690001101	9690001101	9690001101	9690001101
1		TJ40G Stem nut .....	9690001201	9690001201	9690001301	9690001301
1		TJ40G Bearing f. body .....	9690003301	9690003301	9690003301	9690003301
1		TJ40G Bushing f. Planet gear .....	9690003401	9690003401	9690003401	9690003401
1		TJ40G Gear wheel I .....	9690003601	9690003601	9690003601	9690003601
1		TJ40G Gear wheel II .....	9690003701	9690003701	9690003701	9690003701
1		O-ring .....	9690003801	9690003801	9690003801	9690003801
4		O-ring .....	9690005501	9690005501	9690005501	9690005501
2		O-ring .....	9690005601	9690005601	9690005601	9690005601
1		O-ring .....	TE51T169	TE51T169	TE51T169	TE51T169
2		Ball retainer w. balls .....	TE20G318	TE20G318	TE20G318	TE20G318
1		Bearing for turbine shaft, top .....	TE20G548	TE20G548	TE20G548	TE20G548

Tools

9690007801



9690007901



9690008001

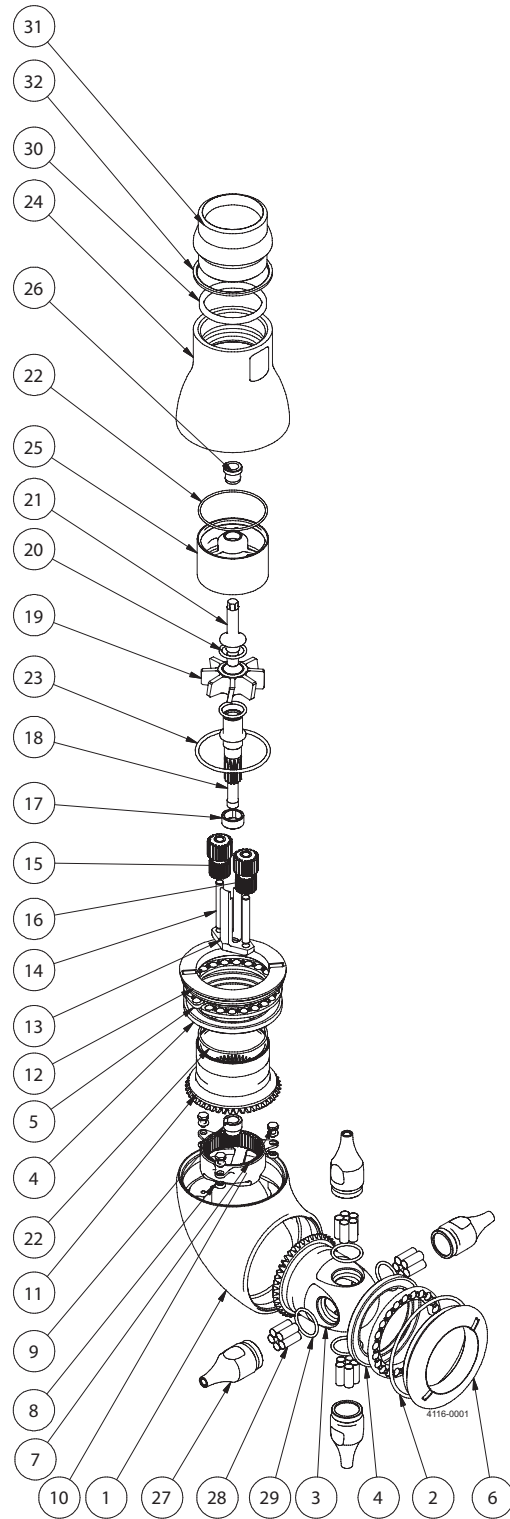


**Alfa Laval TJ40G/TJ40G-HD**  
**Part drawings, lists, service kits & tools**  
**Serial numbers from 2021-01270**

Pos	Qty	Denomination	Item no.
<b>Tool kit</b>			
		Alfa Laval TJ40G Tool kit .....	TE81B149
Consisting of:			
1		Fixture f. Impeller .....	TE20J591
1		5 mm calipers .....	TE369
1		Ring fork key NV24 .....	TE81B140
1		NV8 socket long .....	TE81B157
1		Torque wrench 1/4" 5 - 25 Nm .....	TE81B156
1		Drift punch ø8 .....	TE81B148
1		Ring fork key NV65 .....	TE81B147

Pos	Qty	Denomination	Item no.
<b>Other tools f. TJ40G</b>			
		Ball race tool f. TJ40G .....	9690007801
		Nut tool .....	9690007901
		Socket f. TJ40G nozzles .....	9690008001

TJ40G



**Alfa Laval TJ40G/TJ40G-HD previous version**  
**Part drawings, lists, service kits & tools**  
**Serial numbers up to 2021-01137**

Pos	Qty	Denomination	Item no.	Material	Remark
<b>TJ40G</b>					
1	1	Body, <sup>1)</sup>	9690000501	Stainless steel	*Note
2	◆●	O-ring	9690003801	Elastomer	Wear part
3		Hub	9690000801	Stainless steel	Spare part
4	●	Ball race	9690001101	Stainless steel	Wear part
5	●	Ball retainer w. balls	TE20G318	Polymer/SS	Wear part
6	●	Hub nut	9690000601	Stainless steel	Wear part
7		Gear ring	9690001601	Stainless steel	Spare part
8		Seal ring	TE20J509	Polymer	Wear part
9	◆●	Bearing f. body	9690003301	Polymer	Wear part
10		Screw f. body	TE20J550	Stainless steel	Spare part
11		Stem, <sup>2)</sup>	9690001401	Stainless steel	Spare part
12	●	Stem nut	9690001201	Stainless steel	Wear part
13+14		Gear assembly TJ40G, complete	9690007201	Stainless steel	Spare part
13		Gear frame		Stainless steel	Spare part
14		Shaft f. planet gear		Stainless steel	Spare part
15	◆●	Planet wheel I	9690003601	Polymer	Wear part
16	◆●	Planet wheel II	9690003701	Polymer	Wear part
17	◆●	Bushing f. planet gear	9690003401	Polymer	Wear part
18		Impeller shaft	9690002501	Stainless steel	Spare part
19	□	Impeller, -1	9690002601	Polymer	Spare part
	□	Impeller, -2	9690002701	Polymer	Spare part
	□	Impeller, -3	9690002801	Polymer	Spare part
	□	Impeller, -4	9690003001	Polymer	Spare part
20	2	O-ring	TE51T135	Elastomer	Wear part
21		Shaft end	TE20J542	Stainless steel	Spare part
22	◆●	O-ring	9690005601	Elastomer	Wear part
23	◆●	O-ring	9690005701	Elastomer	Wear part
24		Cone	9690001501	Stainless steel	Spare part
25	□	Guide, - 1	9690004501	Polymer	Spare part
	□	Guide, - 2	9690004701	Polymer	Spare part
	□	Guide, - 3	9690004901	Polymer	Spare part
	□	Guide, - 4	9690005001	Polymer	Spare part
26	◆●	Bearing f. turbine top	TE20G548	Polymer	Wear part
27.1	□	4/2 Nozzle, <sup>3)</sup>		Stainless steel	Spare part
	□	4/2 Nozzle, Burst, <sup>3)</sup>		Stainless steel	Spare part
27.2	□	0/2 Blind cap, <sup>4)</sup>	9690006901	Stainless steel	Spare part
28		20/1 Nozzle vane		Stainless steel	Spare part
29	◆●	O-ring	9690005501	Elastomer	Wear part
30		Gasket f. cone - inside	9690003201	Elastomer	Spare part
32		Gasket f. cone - outside	9690005201	Elastomer	Other prod.

<sup>1)</sup> Position 1 is not sold as single spare part component. Only sold as part of a machine maintenance/repair order. For further information please contact Alfa Laval Customer Support.

<sup>2)</sup> Stem updated to item number 8010005384 so please buy that stem. At first time buy for cleaning machine also buy item number TE51T169 O-ring. After that use spare part list for serial numbers from 2021-01270 for the machine.

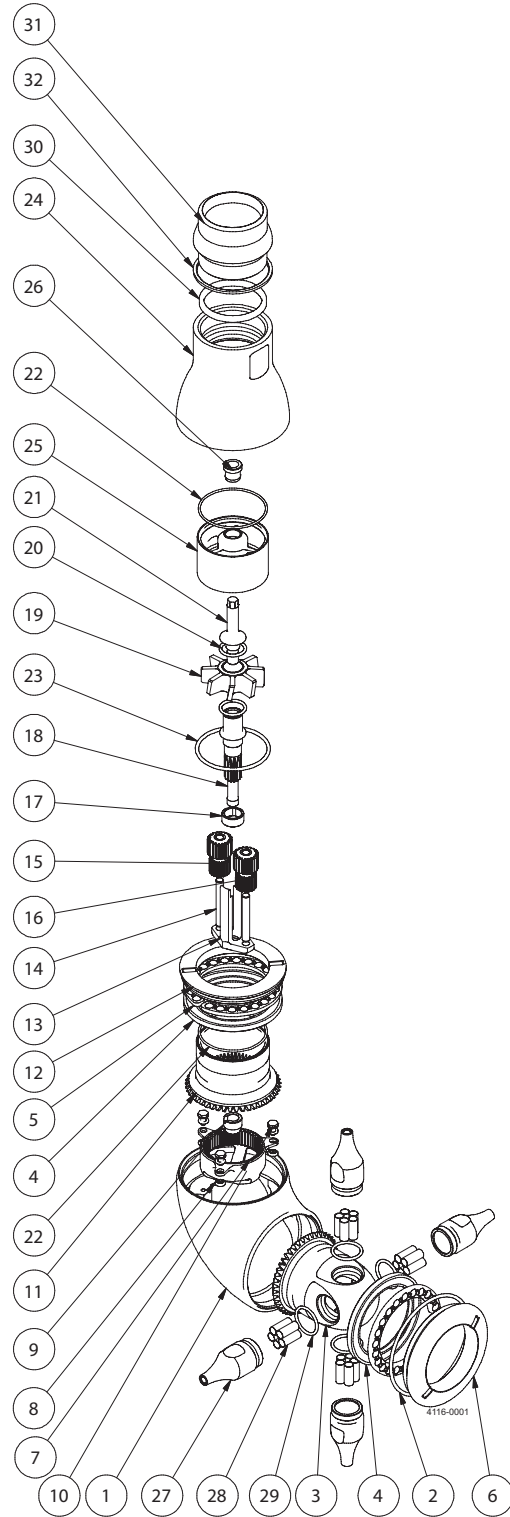
<sup>3)</sup> For nozzles as spare parts or refitting with burst nozzles, please choose from scheme underneath.

<sup>4)</sup> Note position 27.2: For blinding holes on 2 nozzle versions.

Please note that some of the polymer parts are in PEEK, which is not resistant to concentrated sulfuric acid.

Scheme, nozzles complete			
Item no.	Denomination	Item no.	Denomination
9690007101	Nozzle ø6.0 f. TJ40G complete	9690007115	Nozzle, Burst, ø6.0 f. TJ40G complete
9690007102	Nozzle ø6.6 f. TJ40G complete	9690007116	Nozzle, Burst, ø6.6 f. TJ40G complete
9690007103	Nozzle ø7.3 f. TJ40G complete	9690007117	Nozzle, Burst, ø7.3 f. TJ40G complete
9690007104	Nozzle ø8.1 f. TJ40G complete	9690007118	Nozzle, Burst, ø8.1 f. TJ40G complete
9690007105	Nozzle ø9.0 f. TJ40G complete	9690007119	Nozzle, Burst, ø9.0 f. TJ40G complete
9690007106	Nozzle ø10.0 f. TJ40G complete	9690007120	Nozzle, Burst, ø10.0 f. TJ40G complete
9690007107	Nozzle ø11.2 f. TJ40G complete	9690007121	Nozzle, Burst, ø11.2 f. TJ40G complete

TJ40G



**Alfa Laval TJ40G/TJ40G-HD previous version**  
**Part drawings, lists, service kits & tools**  
**Serial numbers up to 2021-01137**

---

Item no.

**Service kits - previous versions. Serial numbers up to 2021-01137**

Minor service kit TJ40G .....	9690003101
Minor service kit TJ40G - Q-Doc .....	9690003102
Major service kit TJ40G .....	9690006201
Major service kit TJ40G - Q-Doc .....	9690006202

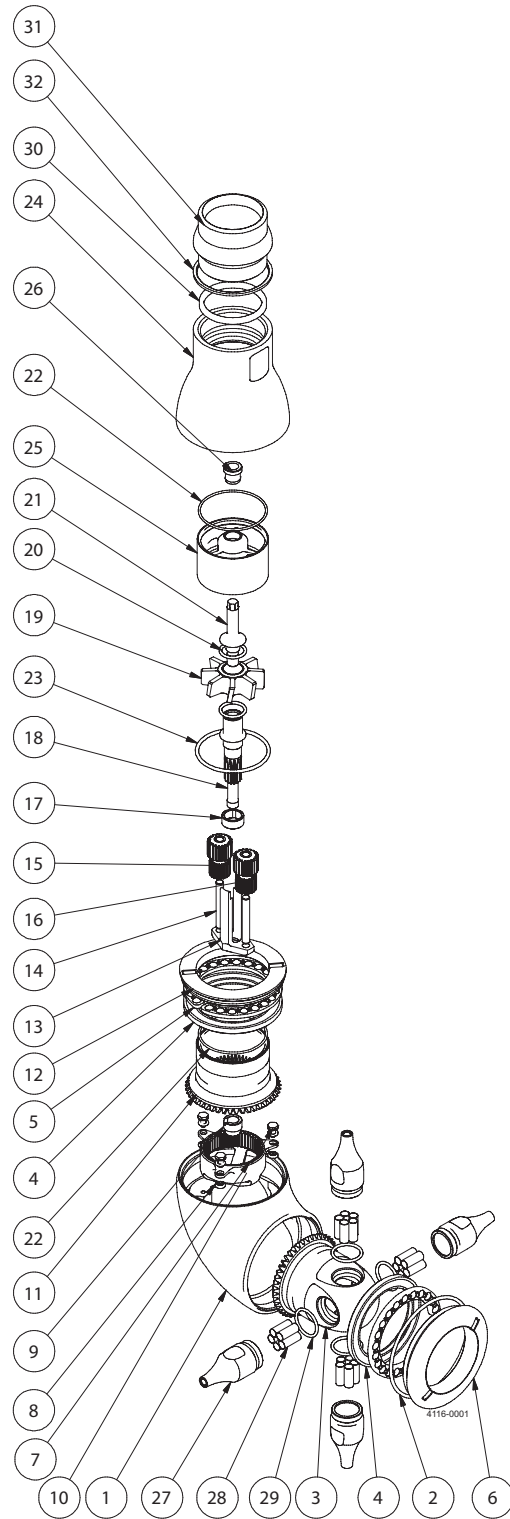
Configuration according to delivery note/order.

Parts marked with ✧ are included in the Minor Service Kit for TJ40G: 96900031XX

Parts marked with ● are included in the Major Service Kit for TJ40G: 96900062XX

The machine can be delivered with ATEX/IECEX certification.

TJ40G-HD





Alfa Laval TJ40G/TJ40G-HD previous version  
Part drawings, lists, service kits & tools  
Serial numbers up to 2021-01137

Pos	Qty	Denomination	Item no.	Material	Remark
<b>TJ40G-HD</b>					
1	1	Body, <sup>1)</sup>	9690000501	Stainless steel	*Note
2	◆●	O-ring	9690003801	Elastomer	Wear part
3		Hub	9690000801	Stainless steel	Spare part
4	●	Ball race	9690001101	Stainless steel	Wear part
5	●	Ball retainer w. balls	TE20G318	Polymer/SS	Wear part
6	●	Hub nut - HD	9690000701	Stainless steel	Wear part
7		Gear ring	9690001601	Stainless steel	Spare part
8		Seal ring	TE20J509	Polymer	Wear part
9	◆●	Bearing f. body	9690003301	Polymer	Wear part
10		Screw f. body	TE20J550	Stainless steel	Spare part
11		Stem, <sup>2)</sup>	9690001401	Stainless steel	Spare part
12	●	Stem nut - HD	9690001301	Stainless steel	Wear part
13+14		Gear assembly TJ40G, complete	9690007201	Stainless steel	Spare part
13		Gear frame		Stainless steel	Spare part
14		Shaft f. planet gear		Stainless steel	Spare part
15	◆●	Planet wheel I	9690003601	Polymer	Wear part
16	◆●	Planet wheel II	9690003701	Polymer	Wear part
17	◆●	Bushing f. planet gear	9690003401	Polymer	Wear part
18		Impeller shaft	9690002501	Stainless steel	Spare part
19	□	Impeller, - 1	9690002601	Polymer	Spare part
	□	Impeller, - 2	9690002701	Polymer	Spare part
	□	Impeller, - 3	9690002801	Polymer	Spare part
	□	Impeller, - 4	9690003001	Polymer	Spare part
20	2	O-ring	TE51T135	Elastomer	Wear part
21		Shaft end	TE20J542	Stainless steel	Spare part
22	◆●	O-ring	9690005601	Elastomer	Wear part
23	◆●	O-ring	9690005701	Elastomer	Wear part
24		Cone	9690001501	Stainless steel	Spare part
25	□	Guide, - 1	9690004501	Polymer	Spare part
	□	Guide, - 2	9690004701	Polymer	Spare part
	□	Guide, - 3	9690004901	Polymer	Spare part
	□	Guide, - 4	9690005001	Polymer	Spare part
26	◆●	Bearing f. turbine top	TE20G548	Polymer	Wear part
27.1	□	4/2 Nozzle, <sup>3)</sup>		Stainless steel	Spare part
	□	4/2 Nozzle, Burst, <sup>3)</sup>		Stainless steel	Spare part
27.2	□	0/2 Blind cap, <sup>4)</sup>	9690006901	Stainless steel	Spare part
28		20/1 Nozzle vane		Stainless steel	Spare part
29	◆●	O-ring	9690005501	Elastomer	Wear part
30		Gasket f. cone - inside	9690003201	Elastomer	Spare part
32		Gasket f. cone - outside	9690005201	Elastomer	Other prod.

<sup>1)</sup> Position 1 is not sold as single spare part component. Only sold as part of a machine maintenance/repair order. For further information please contact Alfa Laval Customer Support.

<sup>2)</sup> Stem updated to item number 8010005384 so please buy that stem. At first time buy for cleaning machine also buy item number TE51T169 O-ring. After that use spare part list for serial numbers from 2021-01270 for the machine.

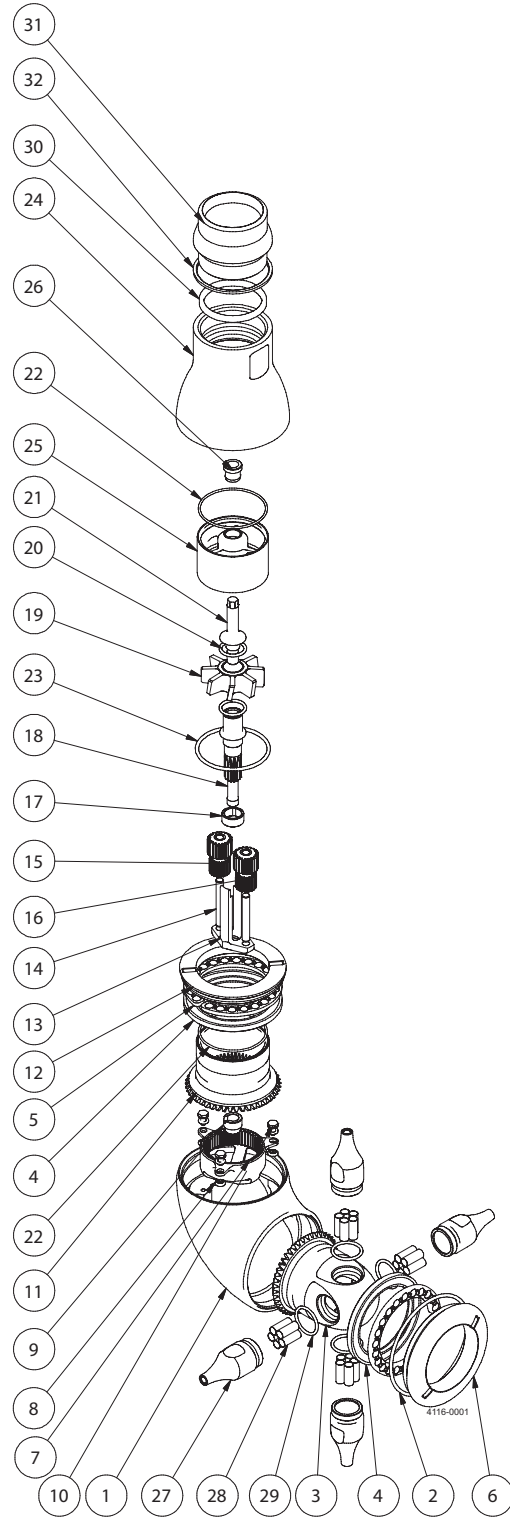
<sup>3)</sup> For nozzles as spare parts or refitting with burst nozzles, please choose from scheme underneath.

<sup>4)</sup> Note position 27.2: For blinding holes on 2 nozzle versions.

Please note that some of the polymer parts are in PEEK, which is not resistant to concentrated sulfuric acid.

Scheme, nozzles complete			
Item no.	Denomination	Item no.	Denomination
9690007101	Nozzle ø6.0 f. TJ40G complete	9690007115	Nozzle, Burst, ø6.0 f. TJ40G complete
9690007102	Nozzle ø6.6 f. TJ40G complete	9690007116	Nozzle, Burst, ø6.6 f. TJ40G complete
9690007103	Nozzle ø7.3 f. TJ40G complete	9690007117	Nozzle, Burst, ø7.3 f. TJ40G complete
9690007104	Nozzle ø8.1 f. TJ40G complete	9690007118	Nozzle, Burst, ø8.1 f. TJ40G complete
9690007105	Nozzle ø9.0 f. TJ40G complete	9690007119	Nozzle, Burst, ø9.0 f. TJ40G complete
9690007106	Nozzle ø10.0 f. TJ40G complete	9690007120	Nozzle, Burst, ø10.0 f. TJ40G complete
9690007107	Nozzle ø11.2 f. TJ40G complete	9690007121	Nozzle, Burst, ø11.2 f. TJ40G complete

TJ40G



**Alfa Laval TJ40G/TJ40G-HD previous version  
Part drawings, lists, service kits & tools  
Serial numbers up to 2021-01137**

---

Item no.

**Service kits - previous versions. Serial numbers up to 2021-01137**

Minor service kit TJ40G-HD .....	9690003101
Minor service kit TJ40G-HD - Q-Doc .....	9690003102
Major service kit TJ40G-HD .....	9690006501
Major service kit TJ40G-HD - Q-Doc .....	9690006502

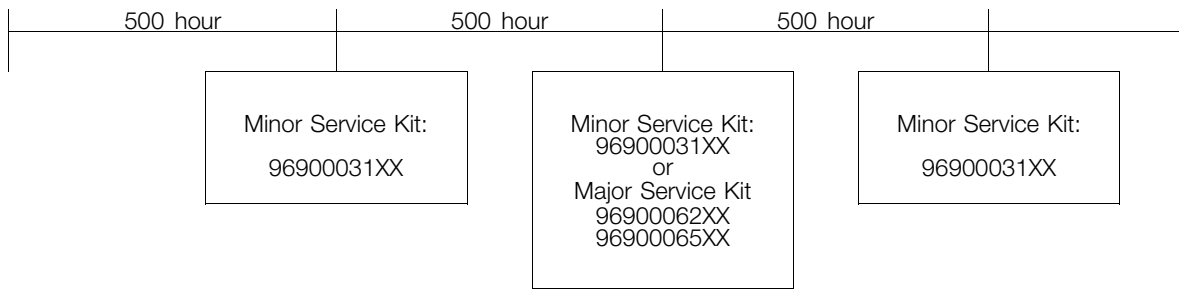
Configuration according to delivery note/order.

Parts marked with ✧ are included in the Minor Service Kit for TJ40G-HD: 96900031XX

Parts marked with ● are included in the Major Service Kit for TJ40G-HD: 96900065XX

The machine can be delivered with ATEX/IECEX certification.

Service intervals



The service intervals are recommended on the basis of pure liquids. When liquids contain particles and other kind of abrasives, we recommend shorter service intervals depending on the actual running conditions.

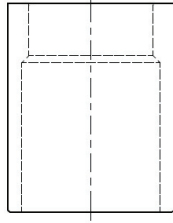
Alfa Laval TJ40G/TJ40G-HD previous version  
 Part drawings, lists, service kits & tools  
 Serial numbers up to 2021-01137

Pos	Qty	Denomination	TJ40G	TJ40G Q-doc	TJ40G-HD	TJ40G-HD
			Item no.	Item no.	Item no.	Q-doc Item no.
			9690003101	9690003102	9690003101	9690003102
<b>Minor service kits previous versions. Serial numbers below XXXXXXXX</b>						
1		TJ40G Bearing f. body .....	9690003301	9690003301	9690003301	9690003301
1		TJ40G Bushing f. Planet gear .....	9690003401	9690003401	9690003401	9690003401
1		TJ40G Gear wheel I .....	9690003601	9690003601	9690003601	9690003601
1		TJ40G Gear wheel II .....	9690003701	9690003701	9690003701	9690003701
1		O-ring .....	9690003801	9690003801	9690003801	9690003801
4		O-ring .....	9690005501	9690005501	9690005501	9690005501
2		O-ring .....	9690005601	9690005601	9690005601	9690005601
1		O-ring .....	9690005701	9690005701	9690005701	9690005701
1		Bearing for turbine shaft, top .....	TE20G548	TE20G548	TE20G548	TE20G548

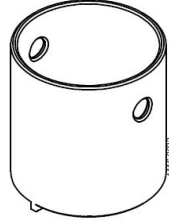
Pos	Qty	Denomination	TJ40G	TJ40G Q-doc	TJ40G HD	TJ40G HD
			Item no.	Item no.	Item no.	Q-doc Item no.
			9690006201	9690006202	9690006501	9690006502
<b>Major service kits previous versions. Serial numbers below XXXXXXXX</b>						
1		TJ40G Hub nut .....	9690000601	9690000601	9690000701	9690000701
2		TJ40G Ball race .....	9690001101	9690001101	9690001101	9690001101
1		TJ40G Stem nut .....	9690001201	9690001201	9690001301	9690001301
1		TJ40G Bearing f. body .....	9690003301	9690003301	9690003301	9690003301
1		TJ40G Bushing f. Planet gear .....	9690003401	9690003401	9690003401	9690003401
1		TJ40G Gear wheel I .....	9690003601	9690003601	9690003601	9690003601
1		TJ40G Gear wheel II .....	9690003701	9690003701	9690003701	9690003701
1		O-ring .....	9690003801	9690003801	9690003801	9690003801
4		O-ring .....	9690005501	9690005501	9690005501	9690005501
2		O-ring .....	9690005601	9690005601	9690005601	9690005601
1		O-ring .....	9690005701	9690005701	9690005701	9690005701
2		Ball retainer w. balls .....	TE20G318	TE20G318	TE20G318	TE20G318
1		Bearing for turbine shaft, top .....	TE20G548	TE20G548	TE20G548	TE20G548

### Tools

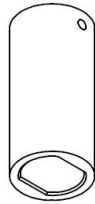
9690007801



9690007901



9690008001



**Alfa Laval TJ40G/TJ40G-HD previous version**  
**Part drawings, lists, service kits & tools**  
**Serial numbers up to 2021-01137**

Pos	Qty	Denomination	Item no.
<b>Tool kit</b>			
		Alfa Laval TJ40G Tool kit .....	TE81B149
Consisting of:			
	1	Fixture f. Impeller .....	TE20J591
	1	5 mm calipers .....	TE369
	1	Ring fork key NV24 .....	TE81B140
	1	NV8 socket long .....	TE81B157
	1	Torque wrench 1/4" 5 - 25 Nm .....	TE81B156
	1	Drift punch ø8 .....	TE81B148
	1	Ring fork key NV65 .....	TE81B147

Pos	Qty	Denomination	Item no.
<b>Other tools f. TJ40G</b>			
		Ball race tool f. TJ40G .....	9690007801
		Nut tool .....	9690007901
		Socket f. TJ40G nozzles .....	9690008001

**How to contact Alfa Laval**

Contact details for all countries are continually updated on our website.

Please visit [www.alfalaval.com](http://www.alfalaval.com) to access the information directly.

© Alfa Laval Corporate AB

This document and its contents is owned by Alfa Laval Corporate AB and protected by laws governing intellectual property and thereto related rights. It is the responsibility of the user of this document to comply with all applicable intellectual property laws. Without limiting any rights related to this document, no part of this document may be copied, reproduced or transmitted in any form or by any means (electronic, mechanical, photocopying, recording, or otherwise), or for any purpose, without the expressed permission of Alfa Laval Corporate AB. Alfa Laval Corporate AB will enforce its rights related to this document to the fullest extent of the law, including the seeking of criminal prosecution.