



Spare Parts

Alfa Laval Toftejorg™ TJ20G

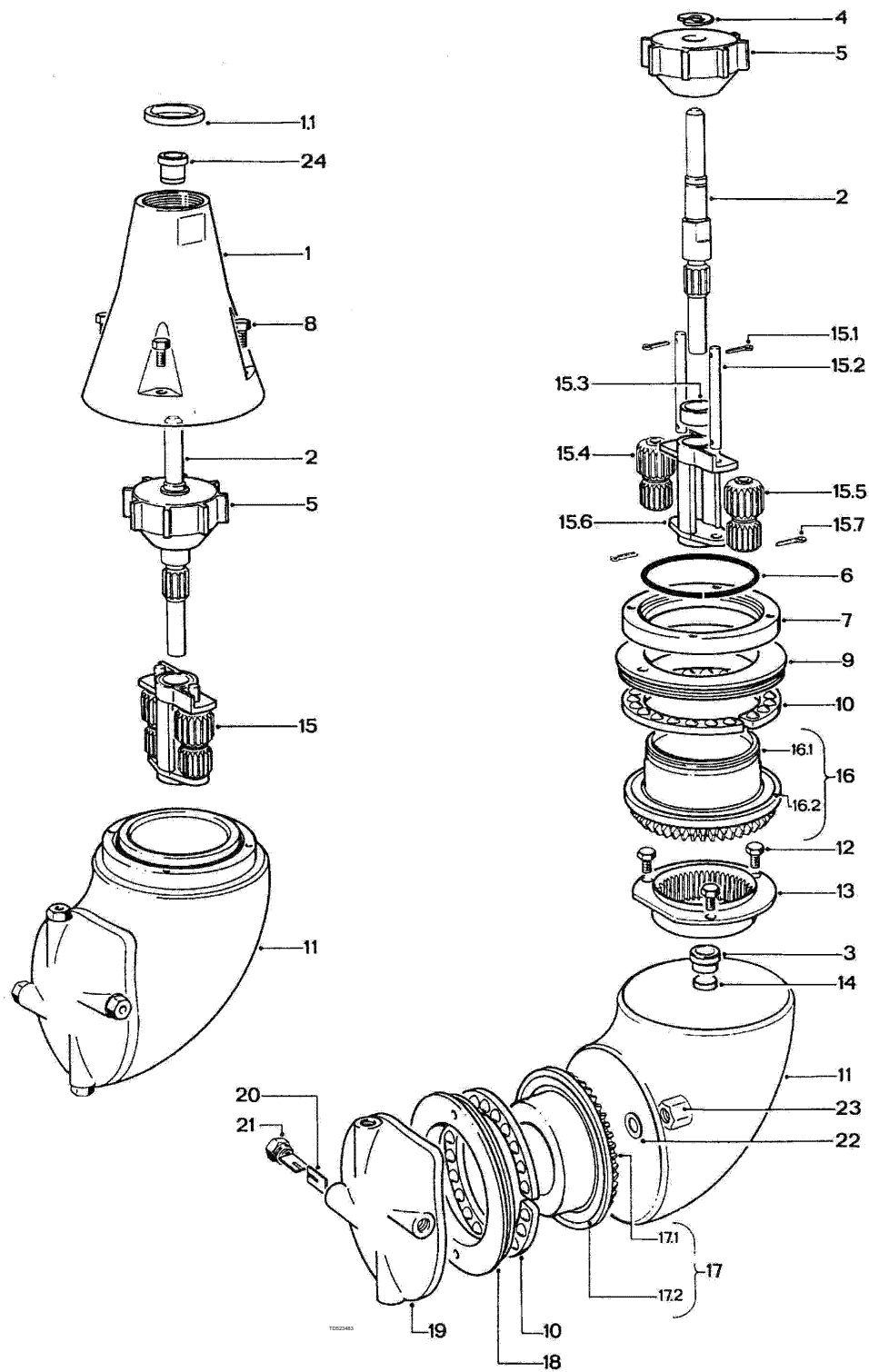


EPS00150-EN13 2020-07

Original manual

The information herein is correct at the time of issue but may be subject to change without prior notice

1. Alfa Laval Toftejorg TJ20G Part drawings, lists, Service kits & Tools	4
2. Alfa Laval Toftejorg TJ20G previous version Serial no. below 0101-001 or between 0101-001 and 0603-099	18



Alfa Laval Toftejorg TJ20G
Part drawings, lists, Service kits & Tools

Parts list Toftejorg™ TJ20G,
TE20G000_024 + TE20G050_054 (except TE20G010-TE20G018)

Pos	Qty	Denomination	Item no.	Material	Remark
1	□	1 Cone, 1" BSP	TE20G508	Stainless steel	Spare part
	□	1 Cone, 1" NPT	TE20G517	Stainless steel	Spare part
	□	1 Cone, 1" BSP f. sanitary conn.	TE20G518	Stainless steel	Spare part
1.1	□	1 Gasket (only for some versions), (only f. TE20G518)	TE51T212	Elastomer	Spare part
2	□	1 Turbine shaft	TE20G550	Stainless steel	Spare part
3	◆○	1 Bearing for Turbine shaft	TE20G640	Polymer	Wear part
4	□	1 Circlip	TE51C201	Stainless steel	Spare part
5	□	1 Impeller, (ø3.5/3.9 mm nozzle)	TE20G553	Polymer (PVDF)	Spare part
	□	1 Impeller, (ø4.5/4.6 mm nozzle)	TE20G554	Polymer (PVDF)	Spare part
	□	1 Impeller, (ø5.5 mm nozzle)	TE20G555	Polymer (PVDF)	Spare part
	□	1 Impeller, (ø3.5/3.9 mm nozzle)	TE20G595	Polymer (PEEK)	Spare part
	□	1 Impeller, (ø4.5/4.6 mm nozzle)	TE20G596	Polymer (PEEK)	Spare part
	□	1 Impeller, (ø5.5 mm nozzle)	TE20G597	Polymer (PEEK)	Spare part
6	□	1 Retainer spring	TE20G565	Stainless steel	Spare part
7	□	1 Retaining ring	TE20G563	Stainless steel	Spare part
8	□	4 Screw	TE51A172	Stainless steel	Spare part
9	○	1 Stem nut with ball race	TE20G571	Stainless steel	Wear part
10	○	2 Ball retainer with balls	TE20G318	Polymer/SS	Wear part
11	□	1 Body		Stainless steel	*Note
12	□	3 Screw	TE51A170	Stainless steel	Spare part
13	□	1 Internal gear	TE20G525	Stainless steel	Spare part
14	◆○	1 Slide bearing	TE20G641	Polymer	Wear part
15	□	1 Planet, complete	TE20G340	Assembly	Spare part
15.1○	□	2 Cotter pin	TE51C102	Stainless steel	Spare part
15.2	□	2 Shaft for Planet wheel	TE20G541	Stainless steel	Spare part
15.3◆○	□	1 Bearing for planet gear carrier	TE20G642	Polymer	Wear part
15.4◆○	□	1 Planet wheel I	TE20G643	Polymer	Wear part
15.5◆○	□	1 Planet wheel II	TE20G644	Polymer	Wear part
15.6	□	1 Planet gear carrier	TE20G530	Stainless steel	Spare part
15.7	□	2 Cotter pin (= 15.1)	TE51C102	Stainless steel	Spare part
16	□	1 Stem, complete	TE20G319	Assembly	Spare part
16.1	(1)	1 Stem	TE20G624	Stainless steel	Spare part
16.2○	(1)	1 Ball race	TE20G574	Stainless steel	Wear part
17	□	1 Hub, complete	TE20G320	Assembly	Spare part
17.1	(1)	1 Hub	TE20G625	Stainless steel	Spare part
17.2○	(1)	1 Ball race (= 16.2)	TE20G574	Stainless steel	Wear part
18	○	1 Hub nut with ball race	TE20G573	Stainless steel	Wear part
19	□	1 Hub cover		Stainless steel	**Note
	□	1 Hub cover with vanes and logo	TE20G390	Stainless steel	Spare part
20	□	8 Nozzle vane	TE20G594	Stainless steel	Spare part
21	□	4 Nozzle, ø3.9 mm	TE20G608	Stainless steel	Spare part
	□	4 Nozzle, ø4.6 mm	TE20G609	Stainless steel	Spare part
	□	4 Nozzle, ø5.5 mm	TE20G605	Stainless steel	Spare part
22	◆○	1 Washer	TE20G584	Stainless steel	Wear part
23	□	1 Cap nut	TE51A521	Stainless steel	Spare part
24	◆○	1 Bearing for turbine shaft top	TE20G548	Polymer	Wear part

Service kits

Minor service kit	TE20G290
Major service kit	TE20G292

Parts marked with ◆ are included in the Minor Service Kit standard: TE20G290

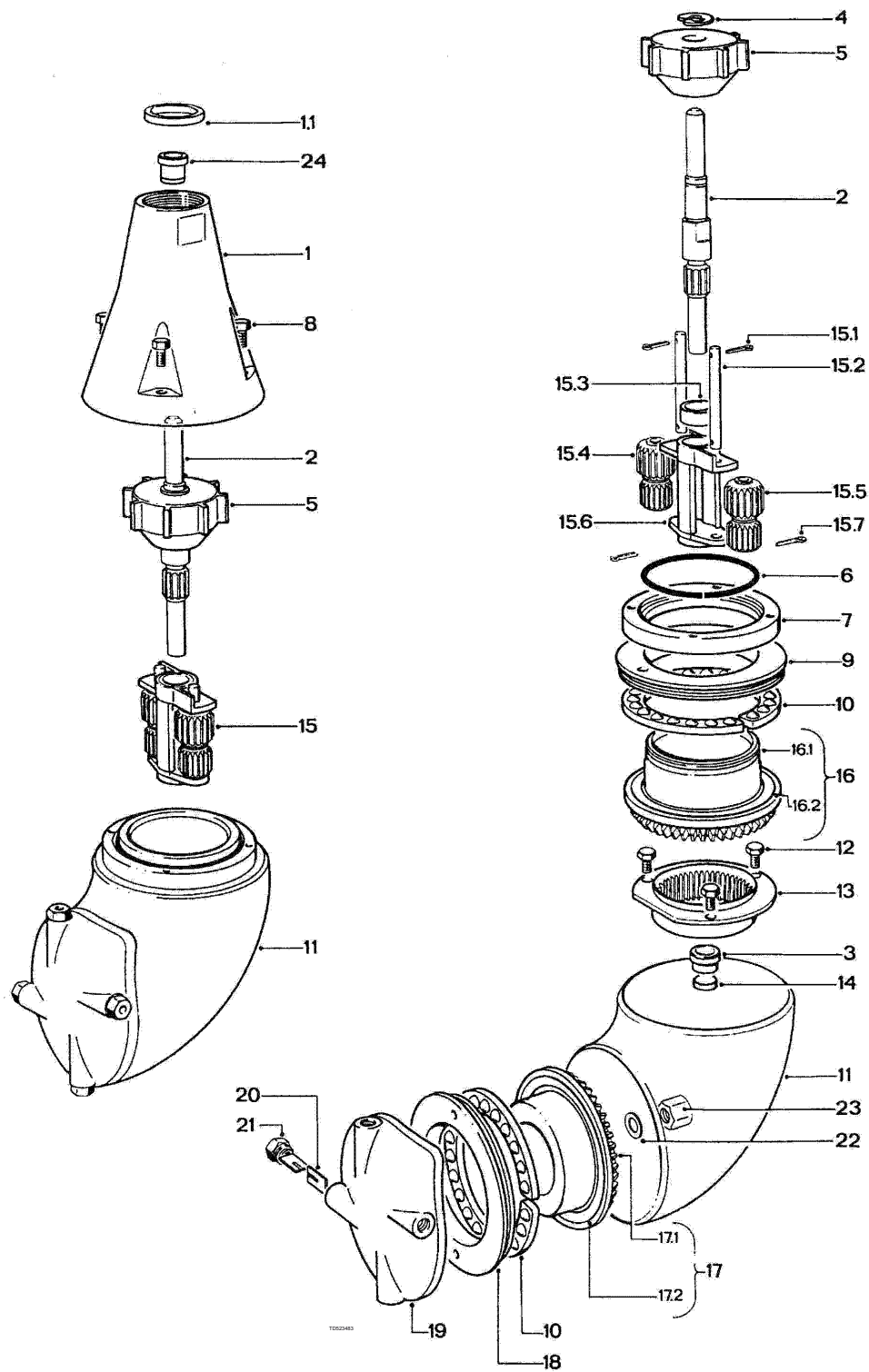
Parts marked with ○ are included in the Major Service Kit standard: TE20G292

The machine can be delivered with ATEX/IECEx certification.

□ Configuration according to delivery note/order.

*Note: Position 11 is not sold as single Spare part component. Only sold as part of a machine maintenance/repair order. For further information please contact Alfa Laval Customer Support.

**Note position 19: For machine maintenance/repair, please order item no. TE20G390.



Alfa Laval Toftejorg TJ20G
Part drawings, lists, Service kits & Tools

Parts list Toftejorg™ TJ20G,
TE20G010-TE20G014

Pos	Qty	Denomination	Item no.	Material	Remark
1	1	Cone 1" BSP hole f. split	TE20G503	Stainless steel	Spare part
2	1	Turbine shaft	TE20G550	Stainless steel	Spare part
3	◆○	Bearing for Turbine shaft	TE20G640	Polymer	Wear part
4	1	Circlip	TE51C201	Stainless steel	Spare part
5	□	Impeller, (ø3.5/3.9 mm nozzle)	TE20G553	Polymer (PVDF)	Spare part
	□	Impeller (ø4.5/4.6 mm nozzle)	TE20G554	Polymer (PVDF)	Spare part
	□	Impeller, (ø5.5 mm nozzle)	TE20G555	Polymer (PVDF)	Spare part
	□	Impeller, (ø3.5/3.9 mm nozzle)	TE20G595	Polymer (PEEK)	Spare part
	□	Impeller, (ø4.5/4.6 mm nozzle)	TE20G596	Polymer (PEEK)	Spare part
	□	Impeller, (ø5.5 mm nozzle)	TE20G597	Polymer (PEEK)	Spare part
6	1	Retainer spring	TE20G565	Stainless steel	Spare part
7	1	Retaining ring	TE20G563	Stainless steel	Spare part
8	4	Screw	TE51A172	Stainless steel	Spare part
9	○	Stem nut with ball race	TE20G571	Stainless steel	Wear part
10	○	Ball retainer with balls	TE20G318	Polymer/SS	Wear part
11	1	Body		Stainless steel	*Note
12	3	Screw	TE51A170	Stainless steel	Spare part
13	1	Internal gear	TE20G525	Stainless steel	Spare part
14	◆○	Slide bearing	TE20G641	Polymer	Wear part
15	1	Planet, complete	TE20G340	Assembly	Spare part
15.1○	(2)	Cotter pin	TE51C102	Stainless steel	Spare part
15.2	(2)	Shaft for Planet wheel	TE20G541	Stainless steel	Spare part
15.3◆○	(1)	Bearing for planet gear carrier	TE20G642	Polymer	Wear part
15.4◆○	(1)	Planet wheel I	TE20G643	Polymer	Wear part
15.5◆○	(1)	Planet wheel II	TE20G644	Polymer	Wear part
15.6	(1)	Planet gear carrier	TE20G530	Stainless steel	Spare part
15.7	(2)	Cotter pin (= 15.1)	TE51C102	Stainless steel	Spare part
16	1	Stem, complete	TE20G319	Assembly	Spare part
16.1	(1)	Stem	TE20G624	Stainless steel	Spare part
16.2○	(1)	Ball race	TE20G574	Stainless steel	Wear part
17	1	Hub, complete	TE20G320	Assembly	Spare part
17.1	(1)	Hub	TE20G625	Stainless steel	Spare part
17.2○	(1)	Ball race (= 16.2)	TE20G574	Stainless steel	Wear part
18	○	Hub nut with ball race	TE20G573	Stainless steel	Wear part
19	1	Hub cover		Stainless steel	**Note
	1	Hub cover secured with vanes and logo	TE20G392	Stainless steel	Spare part
20	8	Nozzle vane	TE20G594	Stainless steel	Spare part
21	□	Nozzle, ø3.9 mm	TE20G608	Stainless steel	Spare part
	□	Nozzle, ø4.6 mm	TE20G609	Stainless steel	Spare part
	□	Nozzle, ø5.5 mm	TE20G605	Stainless steel	Spare part
22	◆○	Washer	TE20G584	Stainless steel	Wear part
23	(1)	Cap nut (part of pos. 19)	TE51A521	Stainless steel	Spare part
24	◆○	Bearing for turbine shaft top	TE20G548	Polymer	Wear part
26	1	Split pin	TE51C105	Stainless steel	Spare part
27	1	Lock pin	TE11B536	Stainless steel	Spare part
28	1	Spring pin	TE52D549	Stainless steel	Spare part

Service kits

Minor service kit	TE20G290
Major service kit	TE20G292

Parts marked with ◆ are included in the Minor Service Kit standard: TE20G290

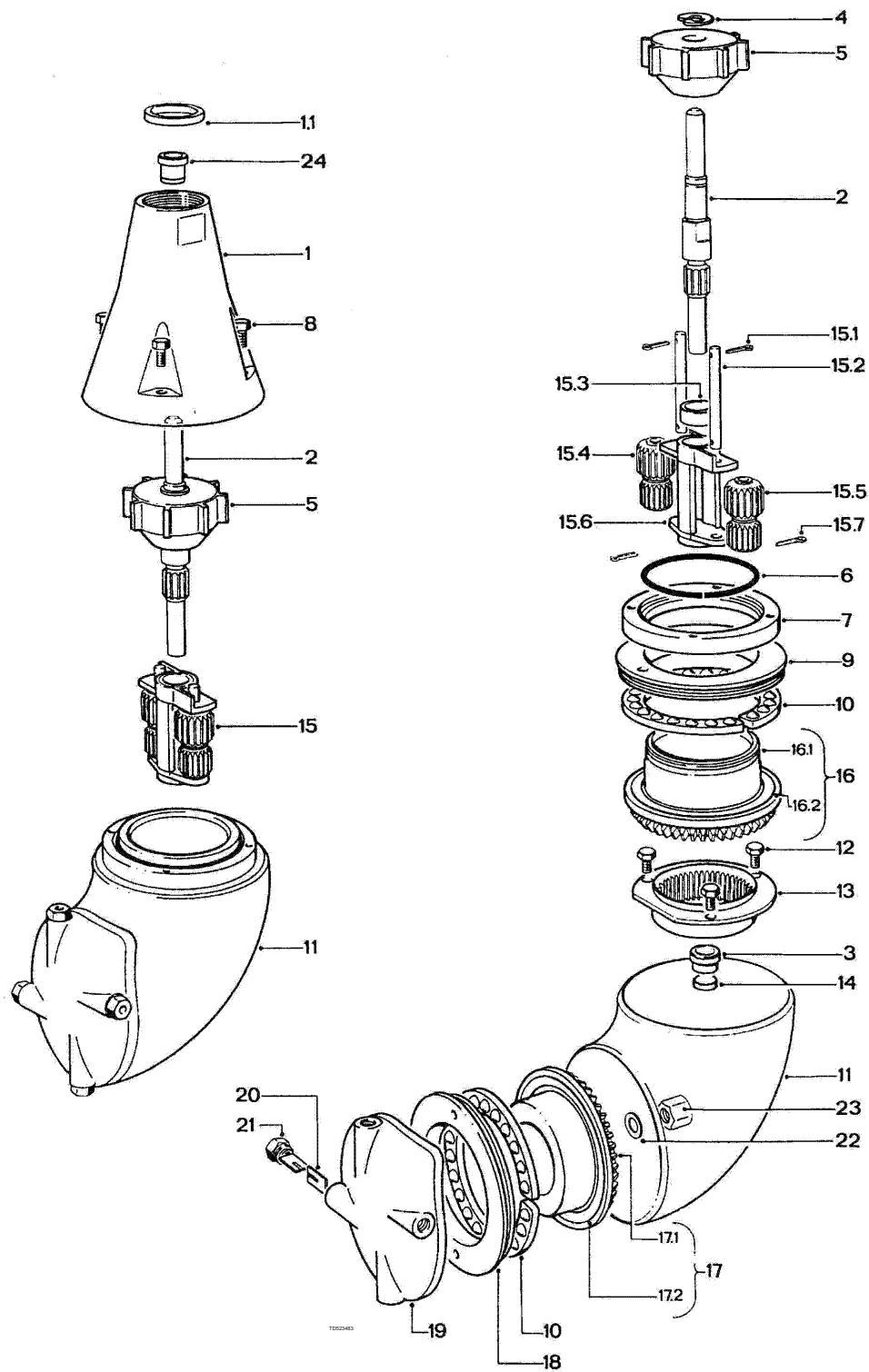
Parts marked with ○ are included in the Major Service Kit standard: TE20G292

The machine can be delivered with ATEX/IECEx certification.

□ Configuration according to delivery note/order.

*Note: Position 11 is not sold as single Spare part component. Only sold as part of a machine maintenance/repair order. For further information please contact Alfa Laval Customer Support.

**Note position 19: For machine maintenance/repair, please order item no. TE20G390.



Alfa Laval Toftejorg TJ20G
Part drawings, lists, Service kits & Tools

Parts list Toftejorg™ TJ20G,
TE20G016-TE20G018

Pos	Qty	Denomination	Item no.	Material	Remark
1	1	Cone 1" BSP	TE20G508	Stainless steel	Spare part
2	1	Turbine shaft	TE20G550	Stainless steel	Spare part
3	◆●	Bearing for Turbine shaft	TE20G640	Polymer	Wear part
4	1	Circlip	TE51C201	Stainless steel	Spare part
5	□	Impeller, (ø3.5/3.9 mm nozzle)	TE20G553	Polymer (PVDF)	Spare part
	□	Impeller (ø4.5/4.6 mm nozzle)	TE20G554	Polymer (PVDF)	Spare part
	□	Impeller, (ø5.5 mm nozzle)	TE20G555	Polymer (PVDF)	Spare part
	□	Impeller, (ø3.5/3.9 mm nozzle)	TE20G595	Polymer (PEEK)	Spare part
	□	Impeller, (ø4.5/4.6 mm nozzle)	TE20G596	Polymer (PEEK)	Spare part
	□	Impeller, (ø5.5 mm nozzle)	TE20G597	Polymer (PEEK)	Spare part
6	1	Retainer spring	TE20G565	Stainless steel	Spare part
7	1	Retaining ring	TE20G563	Stainless steel	Spare part
8	4	Screw	TE51A172	Stainless steel	Spare part
9	●	Stem nut with ball race	TE20G571	Stainless steel	Wear part
10	●	Ball retainer with balls	TE20G318	Polymer/SS	Wear part
11	1	Body		Stainless steel	*Note
12	3	Screw	TE51A170	Stainless steel	Spare part
13	1	Internal gear	TE20G525	Stainless steel	Spare part
14	◆●	Slide bearing	TE20G641	Polymer	Wear part
15	1	Planet, complete	TE20G340	Assembly	Spare part
15.1	●	(2) Cotter pin	TE51C102	Stainless steel	Spare part
15.2	●	(2) Shaft for Planet wheel	TE20G541	Stainless steel	Spare part
15.3	◆●	(1) Bearing for planet gear carrier	TE20G642	Polymer	Wear part
15.4	◆●	(1) Planet wheel I	TE20G643	Polymer	Wear part
15.5	◆●	(1) Planet wheel II	TE20G644	Polymer	Wear part
15.6	●	(1) Planet gear carrier	TE20G530	Stainless steel	Spare part
15.7	●	(2) Cotter pin (= pos. 15.1)	TE51C102	Stainless steel	Spare part
16	1	Stem, complete	TE20G319	Assembly	Spare part
16.1	●	(1) Stem	TE20G624	Stainless steel	Spare part
16.2	●	(1) Ball race	TE20G574	Stainless steel	Wear part
17	1	Hub, complete	TE20G320	Assembly	Spare part
17.1	●	(1) Hub	TE20G625	Stainless steel	Spare part
17.2	●	(1) Ball race (= pos. 16.2)	TE20G574	Stainless steel	Wear part
18	●	Hub nut with ball race	TE20G573	Stainless steel	Wear part
19	1	Hub cover		Stainless steel	**Note
	1	Hub cover with vanes and logo	TE20G390	Stainless steel	Spare part
20	8	Nozzle vane	TE20G594	Stainless steel	Spare part
21	□	4 Nozzle, ø3.9 mm	TE20G608	Stainless steel	Spare part
	□	4 Nozzle, ø4.6 mm	TE20G609	Stainless steel	Spare part
	□	4 Nozzle, ø5.5 mm	TE20G605	Stainless steel	Spare part
22	◆●	1 Washer w/o EPDM	TE51B021	Stainless steel	Wear part
23	1	Cap nut	TE51A521	Stainless steel	Spare part
24	◆●	1 Bearing for turbine shaft top	TE20G548	Polymer	Wear part

Service kits

Minor service kit	TE20G291
Major service kit	TE20G293

Parts marked with ◆ are included in the Minor Service Kit no-EPDM version: TE20G291

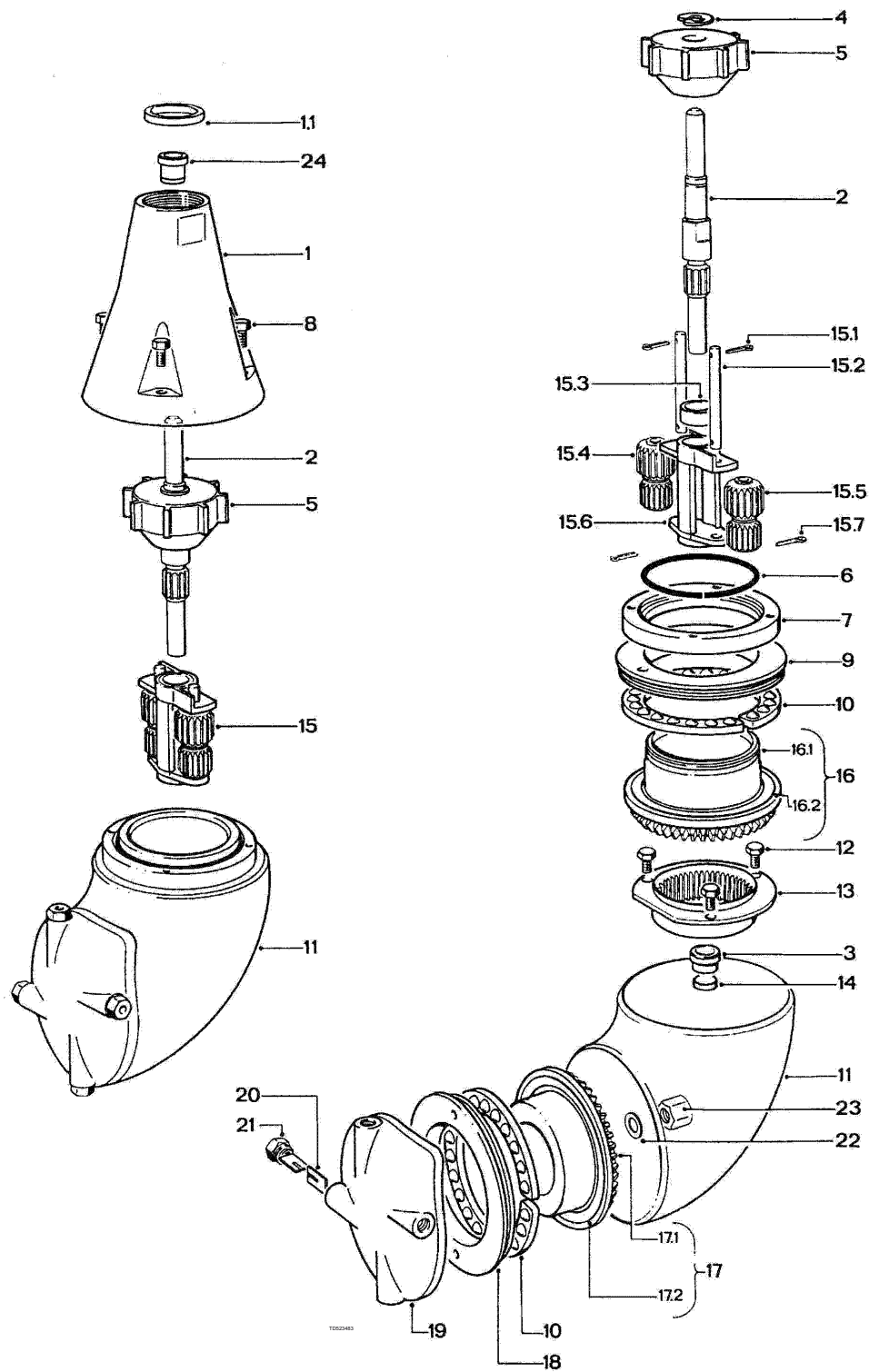
Parts marked with ● are included in the Major Service Kit no-EPDM version: TE20G293

The machine can be delivered with ATEX/IECEX certification.

□ Configuration according to delivery note/order.

*Note: Position 11 is not sold as single Spare part component. Only sold as part of a machine maintenance/repair order. For further information please contact Alfa Laval Customer Support.

**Note position 19: For machine maintenance/repair, please order item no. TE20G390.



Alfa Laval Toftejorg TJ20G
Part drawings, lists, Service kits & Tools

Parts list Toftejorg™ TJ20G,
TE20G030-TE20G044

Pos	Qty	Denomination	Item no.	Material	Remark
1	□	1 Cone, 1" BSP	TE20G508	Stainless steel	Spare part
	□	1 Cone, 1" NPT	TE20G517	Stainless steel	Spare part
2		1 Turbine shaft	TE20G550	Stainless steel	Spare part
3	◆⊙	1 Bearing for Turbine shaft	TE20G640	Polymer	Wear part
4		1 Circlip	TE51C201	Stainless steel	Spare part
5	□	1 Impeller, (ø3.5/3.9 mm nozzle)	TE20G553	Polymer (PVDF)	Spare part
	□	1 Impeller (ø4.5/4.6 mm nozzle)	TE20G554	Polymer (PVDF)	Spare part
	□	1 Impeller, (ø5.5 mm nozzle)	TE20G555	Polymer (PVDF)	Spare part
	□	1 Impeller, (ø3.5/3.9 mm nozzle)	TE20G595	Polymer (PEEK)	Spare part
	□	1 Impeller, (ø4.5/4.6 mm nozzle)	TE20G596	Polymer (PEEK)	Spare part
	□	1 Impeller, (ø5.5 mm nozzle)	TE20G597	Polymer (PEEK)	Spare part
6		1 Retainer spring	TE20G565	Stainless steel	Spare part
7		1 Retaining ring	TE20G563	Stainless steel	Spare part
8		4 Screw	TE51A172	Stainless steel	Spare part
9	⊙	1 Stem nut with ball race	TE20G636	Stainless steel	Wear part
10	⊙	2 Ball retainer with balls	TE20G318	Polymer/SS	Wear part
11		1 Body		Stainless steel	**Note
12		3 Screw	TE51A170	Stainless steel	Spare part
13		1 Internal gear	TE20G525	Stainless steel	Spare part
14	◆⊙	1 Slide bearing	TE20G641	Polymer	Wear part
15		1 Planet, complete	TE20G340	Assembly	Spare part
15.1⊙	(2)	Cotter pin	TE51C102	Stainless steel	Spare part
15.2	(2)	Shaft for Planet wheel	TE20G541	Stainless steel	Spare part
15.3◆⊙	(1)	Bearing for planet gear carrier	TE20G642	Polymer	Wear part
15.4◆⊙	(1)	Planet wheel I	TE20G643	Polymer	Wear part
15.5◆⊙	(1)	Planet wheel II	TE20G644	Polymer	Wear part
15.6	(1)	Planet gear carrier	TE20G530	Stainless steel	Spare part
15.7	(2)	Cotter pin (= pos. 15.1)	TE51C102	Stainless steel	Spare part
16		1 Stem, complete	TE20G334	Assembly	Spare part
16.1	(1)	Stem	TE20G634	Stainless steel	Spare part
16.2⊙	(1)	Ball race	TE20G574	Stainless steel	Wear part
17		1 Hub, complete	TE20G335	Assembly	Spare part
17.1	(1)	Hub	TE20G635	Stainless steel	Spare part
17.2⊙	(1)	Ball race (= pos. 16.2)	TE20G574	Stainless steel	Wear part
18	⊙	1 Hub nut with ball race	TE20G633	Stainless steel	Wear part
19		1 Hub cover		Stainless steel	**Note
		1 Hub cover with vanes and logo	TE20G390	Stainless steel	Spare part
20		8 Nozzle vane	TE20G594	Stainless steel	Spare part
21	□	4 Nozzle, ø3.9 mm	TE20G608	Stainless steel	Spare part
	□	4 Nozzle, ø4.6 mm	TE20G609	Stainless steel	Spare part
	□	4 Nozzle, ø5.5 mm	TE20G605	Stainless steel	Spare part
22	◆⊙	1 Washer	TE20G584	Polymer/SS	Wear part
23		1 Cap nut	TE51A521	Stainless steel	Spare part
24	◆⊙	1 Bearing for turbine shaft top	TE20G548	Polymer	Wear part

Service kits

Minor service kit	TE20G290
Major service kit	TE20G294

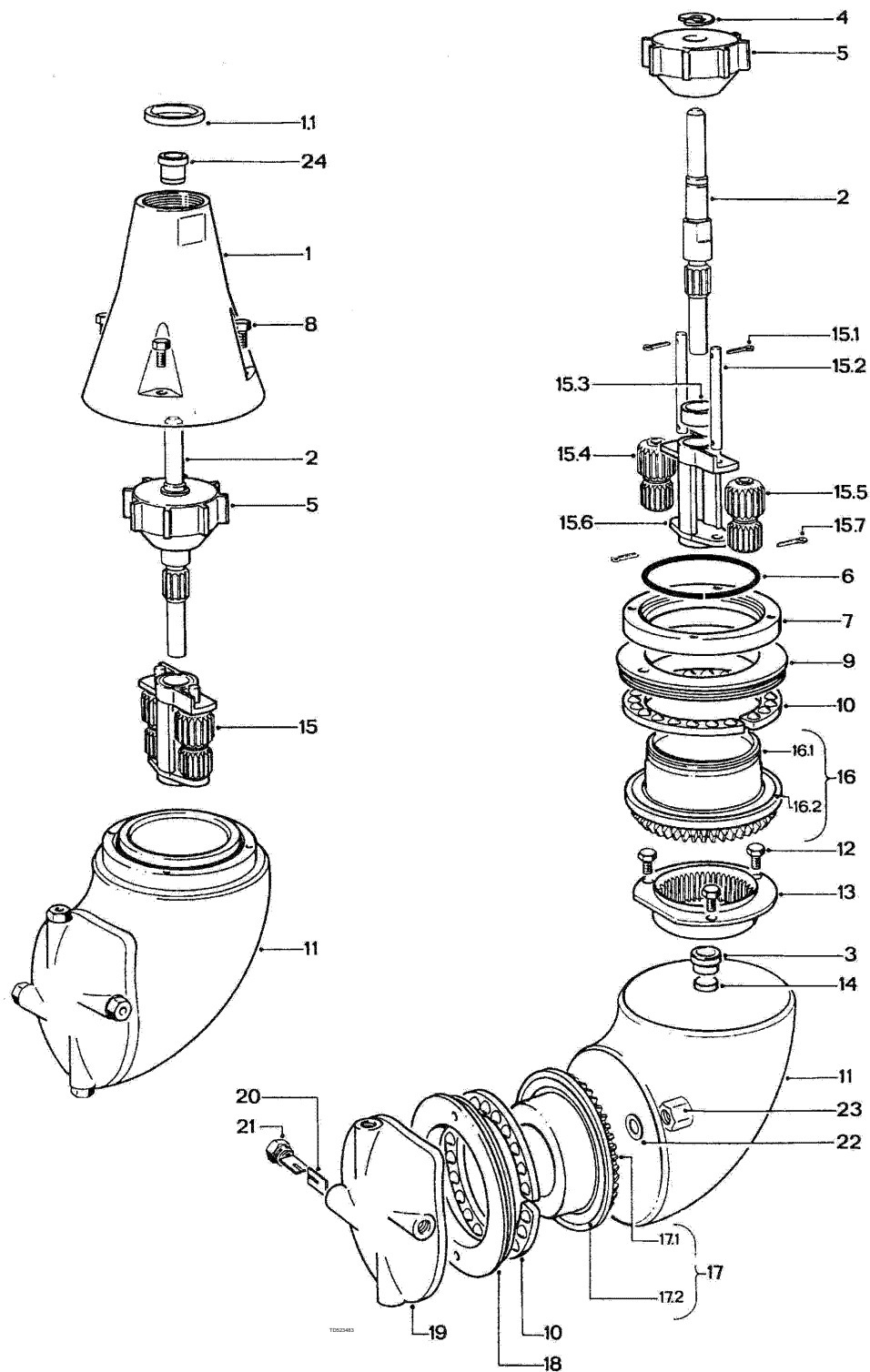
Parts marked with ◆ are included in the Minor Service Kit standard: TE20G290
 Parts marked with ⊙ are included in the Major Service Kit Distillery version: TE20G294

The machine can be delivered with ATEX/IECEx certification.

□ Configuration according to delivery note/order.

*Note: Position 11 is not sold as single spare part component. Only sold as part of a machine maintenance/repair order. For further information please contact Alfa Laval Customer Support.

**Note position 19: For machine maintenance/repair, please order item no. TE20G390.



Alfa Laval Toftejorg TJ20G
Part drawings, lists, Service kits & Tools

Parts list Toftejorg™ TJ20G Hastelloy
TE20HXXX

Pos	Qty	Denomination	Item no.	Material	Remark
1	1	Cone, 1" BSP	TE20H508	Hastelloy C22	Spare part
	1	Cone, 1" NPT	TE20H517	Hastelloy C22	Spare part
	1	Cone, 1" BSP f. sanitary conn.	TE20H518	Hastelloy C22	Spare part
2	1	Turbine shaft	TE20H550	Hastelloy C22	Spare part
3 ♦	1	Bearing for Turbine shaft	TE20G640	Polymer	Wear part
4	1	Circlip	TE20H592	Hastelloy C22	Spare part
5	1	Impeller, (ø3.9 mm nozzle)	TE20G595	Polymer (PEEK)	Spare part
	1	Impeller, (ø4.6 mm nozzle)	TE20G596	Polymer (PEEK)	Spare part
	1	Impeller, (ø5.5 mm nozzle)	TE20G597	Polymer (PEEK)	Spare part
6	1	Retainer spring	TE20H565	Hastelloy C22	Spare part
7	1	Retaining ring	TE20H563	Hastelloy C22	Spare part
8	4	Screw	TE20H591	Hastelloy C22	Spare part
9	1	Stem nut with ball race	TE20H571	Hastelloy C22	Wear part
10	2	Ball retainer with balls	TE20H318	Polymer/hastel-	Wear part
				loy C276	
11	1	Body		Hastelloy C22	*Note
12	3	Screw	TE20H590	Hastelloy C22	Spare part
13	1	Internal gear	TE20H525	Hastelloy C22	Spare part
14 ♦	1	Slide bearing	TE20G641	Polymer	Wear part
15	1	Planet, complete	TE20H340	Assembly	Spare part
15.1	(2)	Cotter pin	TE20H542	Hastelloy C22	Spare part
15.2	(2)	Shaft for Planet wheel	TE20H541	Hastelloy C22	Spare part
15.3	(1)	Bearing for planet gear carrier	TE20G642	Polymer	Wear part
15.4	(1)	Planet wheel I	TE20G643	Polymer	Wear part
15.5	(1)	Planet wheel II	TE20G644	Polymer	Wear part
15.6	(1)	Planet gear carrier	TE20H530	Hastelloy C22	Spare part
15.7	(2)	Cotter pin (= pos. 15.1)	TE20H542	Hastelloy C22	Spare part
16	1	Stem, complete	TE20H319	Assembly	Spare part
16.1	(1)	Stem	TE20H624	Hastelloy C22	Spare part
16.2	(1)	Ball race	TE20H574	Hastelloy C22	Wear part
17	1	Hub, complete	TE20H320	Assembly	Spare part
17.1	(1)	Hub	TE20H625	Hastelloy C22	Spare part
17.2	(1)	Ball race (= pos. 16.2)	TE20H574	Hastelloy C22	Wear part
18	1	Hub nut with ball race	TE20H573	Hastelloy C22	Wear part
19	1	Hub cover		Hastelloy C22	**Note
	1	Hub cover with vanes and logo	TE20H390	Hastelloy C22	Spare part
20	8	Nozzle vane	TE20H594	Hastelloy C22	Spare part
21	4	Nozzle, ø3.9 mm	TE20H608	Hastelloy C22	Spare part
	4	Nozzle, ø4.6 mm	TE20H609	Hastelloy C22	Spare part
	4	Nozzle, ø5.5 mm	TE20H605	Hastelloy C22	Spare part
22	1	Washer for Cap nut, TJ20G	TE20H587	Hastelloy C22	Spare part
23	1	Cap nut	TE20H585	Hastelloy C22	Spare part
24 ♦	1	Bearing for turbine shaft top	TE20G548	Hastelloy C22	Wear part
25	1	O-ring	TE20H586	Elastomer	Spare part

Service kits

Minor service kit	TE20G290
Major service kit	TE20H29290

Parts marked with ♦ are included in the Minor Service Kit standard: TE20G290

Parts marked with ⊕ are included in the Major Service Kit standard: TE20H29290

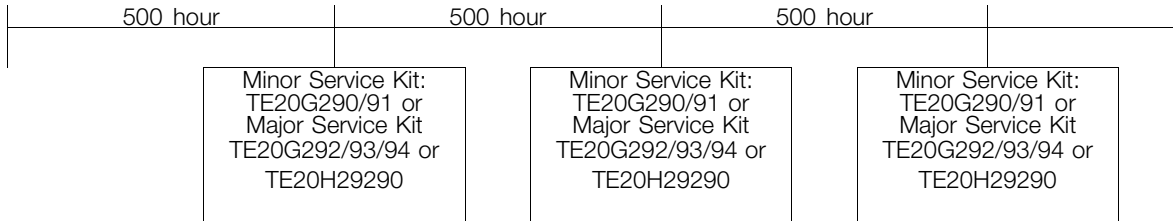
The machine can be delivered with ATEX/IECEx certification.

☐ Configuration according to delivery note/order.

*Note: Position 11 is not sold as single Spare part component. Only sold as part of a machine maintenance/repair order. For further information please contact Alfa Laval Customer Support.

**Note position 19: For machine maintenance/repair, please order item no. TE20G390.

Service intervals



NOTE

The service intervals are recommended on the basis of pure liquids. When liquids contain particles and other kind of abrasives, we recommend shorter service intervals depending on the actual running conditions.

Alfa Laval Toftejorg TJ20G
Part drawings, lists, Service kits & Tools

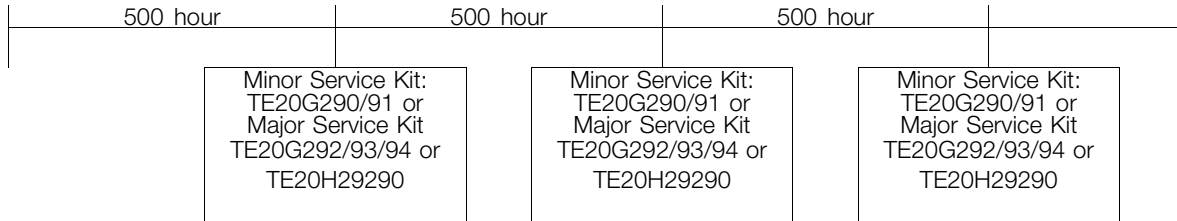
Pos	Qty	Denomination	Item no.
Minor service kits			
		Minor Service kit for TJ20G - - all models except TE20G016_018 (see below)	TE20G290
Consisting of:			
	1	Bearing for turbine shaft, top	TE20G548
	1	Washer, ø8mm w.seal	TE20G584
	1	Bearing for Turbine shaft	TE20G640
	1	Slide bearing	TE20G641
	1	Bearing for Planet gear carrier	TE20G642
	1	Planet wheel	TE20G643
	1	Planet wheel	TE20G644

Pos	Qty	Denomination	Item no.
		Minor Service kit for TJ20G - models TE20G016_018	TE20G291
Consisting of:			
	1	Bearing for turbine shaft, top	TE20G548
	1	Bearing for Turbine shaft	TE20G640
	1	Slide bearing	TE20G641
	1	Bearing for Planet gear carrier	TE20G642
	1	Planet wheel	TE20G643
	1	Planet wheel	TE20G644
	1	Washer	TE51B021

Pos	Qty	Denomination	Item no.
Major service kits			
		Major Service kit for TJ20G - all models except TE20G016_018 and TE20G030_044 (see below)	TE20G292
Consisting of:			
	2	Ball retainer w. balls	TE20G318
	1	Bearing for turbine shaft, top	TE20G548
	1	Stem nut with Ball race	TE20G571
	1	Hub nut with Ball race	TE20G573
	2	Ball race	TE20G574
	1	Washer	TE20G584
	1	Bearing for Turbine shaft	TE20G640
	1	Slide bearing	TE20G641
	1	Bearing for Planet gear carrie	TE20G642
	1	Planet wheel	TE20G643
	1	Planet wheel	TE20G644
	2	Cotter pin	TE51C102

Pos	Qty	Denomination	Item no.
		Major Service kit for TJ20G - models TE20G016_018 (no-EPDM version)	TE20G293
Consisting of:			
	1	Bearing for Turbine shaft top	TE20G548
	1	Stem nut with ball race	TE20G571
	1	Hub nut with ball race	TE20G573
	2	Ball race	TE20G574
	1	Slide bearing	TE20G641
	1	Bearing for Planet Gear carr.	TE20G642
	1	Planet wheel I	TE20G643
	1	Planet wheel II	TE20G644
	1	Washer	TE51B021
	2	Cotter pin	TE51C102

Service intervals



NOTE

The service intervals are recommended on the basis of pure liquids. When liquids contain particles and other kind of abrasives, we recommend shorter service intervals depending on the actual running conditions.

Alfa Laval Toftejorg TJ20G
Part drawings, lists, Service kits & Tools

Pos	Qty	Denomination	Item no.
Major service kits			
		Major Service kit for TJ20G - - models TE20G030_044 (Distillery version)	TE20G294
Consisting of:			
	1	Bearing for Turbine shaft top	TE20G548
	2	Ball race	TE20G574
	1	Washer	TE20G584
	1	Hub nut with ball race	TE20G633
	1	Stem nut with ball race	TE20G636
	1	Slide bearing	TE20G641
	1	Bearing for Planet Gear carr.	TE20G642
	1	Planet wheel I	TE20G643
	1	Planet wheel II	TE20G644
	2	Cotter pin	TE51C102

Pos	Qty	Denomination	Item no.
		Major Service kit for TJ20G - - models TE20HXXX (Hastelloy version)	TE20H29290
Consisting of:			
	1	Bearing for Turbine shaft	TE20G640
	1	Slide bearing	TE20G641
	1	Bearing for Planet Gear carr.	TE20G642
	1	Planet wheel I	TE20G643
	1	Planet wheel II	TE20G644
	2	Ball retainer with balls	TE20H318
	2	Cotter pin	TE20H542
	1	Stem nut with ball race	TE20H571
	1	Hub nut with ball race	TE20H573
	2	Ball race	TE20H574

Pos	Qty	Denomination	Item no.
Tools			
		Standard Tool Kit for Toftejorg TJ20G	TE81B085
Consisting of:			
		Caliper	TE369
		Socket wrench w. pin	TE462A
		Spanner for Toftejorg TJ20G	TE81B040
		Spanner	TE81B041

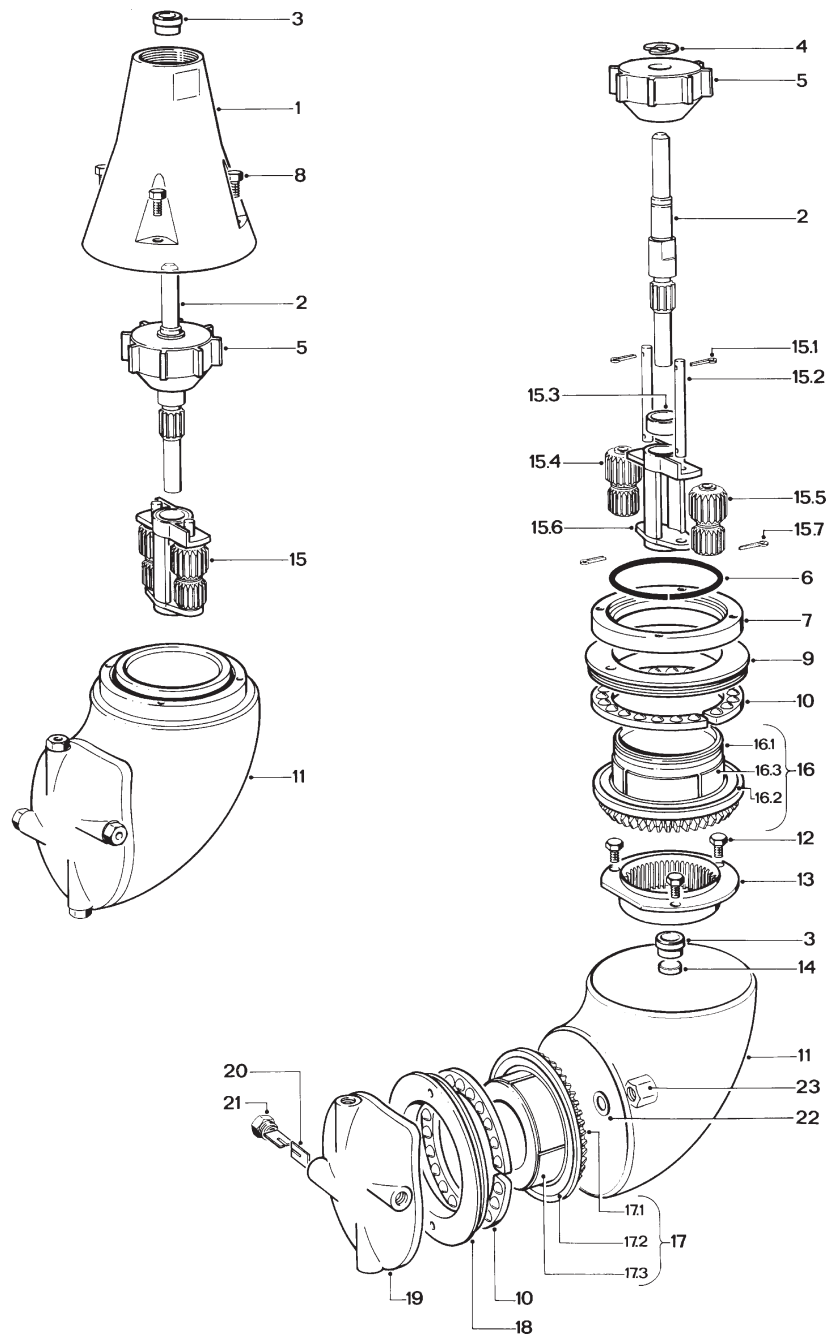
Additional tool available on request			
		Fixture tool kit for body	TE20J386

Pos	Qty	Denomination	Item no.
		Torque wrench tool kit	TE81B087
Consisting of.			
		Torque wrench with interchangeable ratchet head	9611995916
		Ring insert tool for torque wrench	9611995918

2 Alfa Laval Toftejorg TJ20G previous version Serial no. below 0101-001 or between 0101-001 and 0603-099

Exploded View Drawing, Toftejorg TJ20G
Before serial number 0101 001 (e.g. 9302 024)

Pos	Qty	Denomination	Item no.
16.1	1	Stem	TE20G560
16.3	1	Liner	TE20G579
17.1	1	Hub	TE20G580
17.3	1	Liner	TE20G579

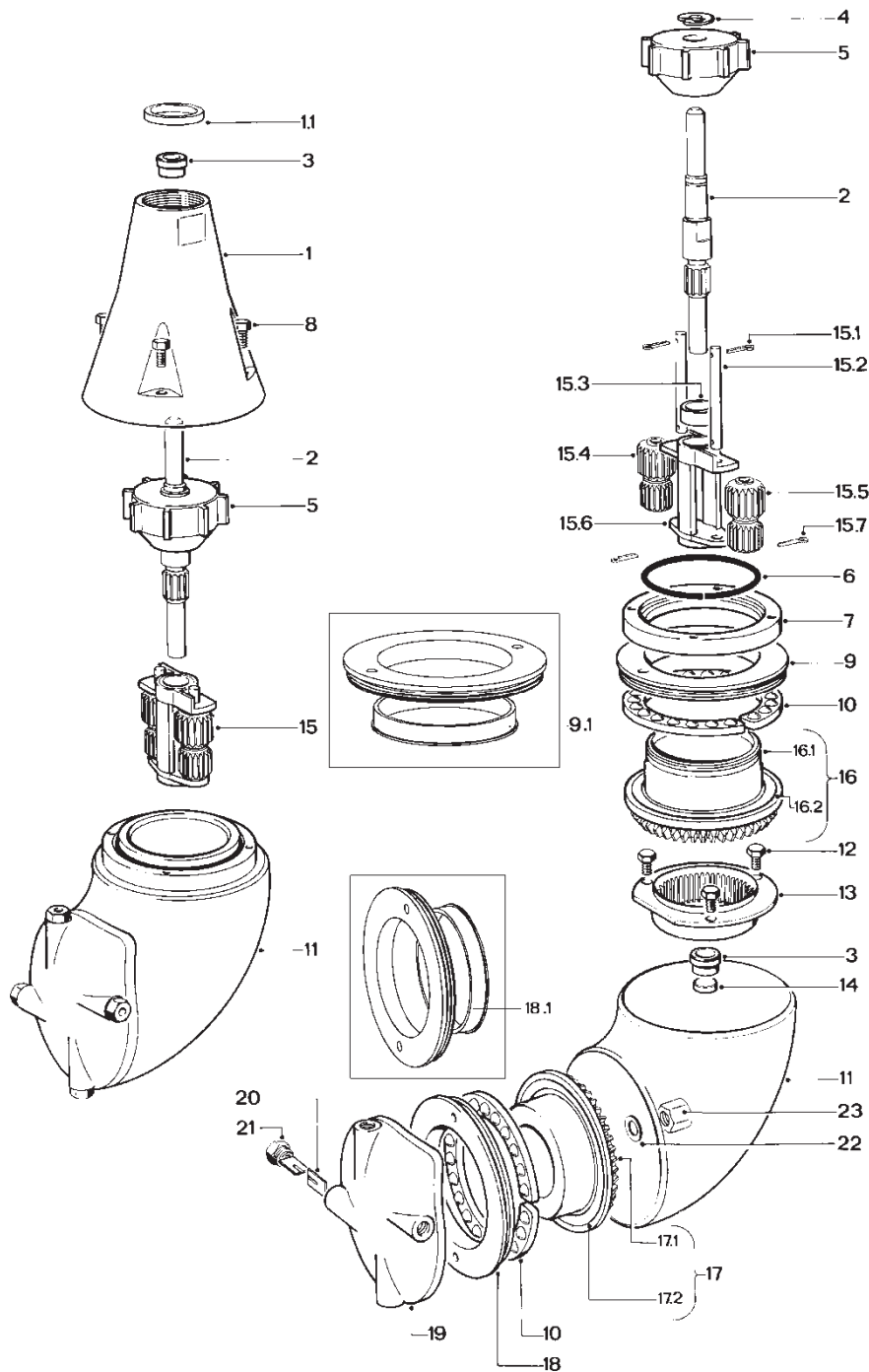


2 Alfa Laval Toftejorg TJ20G previous version Serial no. below 0101-001 or between 0101-001 and 0603-099

Exploded View Drawing, Toftejorg TJ20G

Serial numbers between 0101 001 - 0603 0099 (e.g. 0201 007)

Pos	Qty	Denomination	Item no.	Remarks
9	1	Stem nut with ball race	TE20G622	Wear part
9.1	1	Bushing	TE20G621	PEEK
18	1	Hub nut with ball race	TE20G623	
18.1	1	Bushing	TE20G621	PEEK
Pos. no. 9 + 9.1 (TE20G622 + TE20G621) is replaced by one part - item no. TE20G571				
Pos. no. 18 + 18.1 (TE20G623 + TE20G621) is replaced by one part - item no. TE20G573				



2 Alfa Laval Toftejorg TJ20G previous version Serial no. below 0101-001 or between 0101-001 and 0603-099

Pos	Qty	Denomination	Item no.
		Service Kit for Toftejorg TJ20G PTFE, serial no. below 0101 001	TE20G285
Consisting of:			
3	1	Bearing for Turbine shaft	TE20G549
10	2	Ball retainer w. balls	TE20G318
14	1	Slide bearing	TE20G558
15.1	2	Cotter pin	TE51C102
15.3	1	Bearing for Planet Gear carr.	TE20G545
15.4	1	Planet wheel I	TE20G535
15.5	1	Planet wheel II	TE20G536
16.2	2	Ball race	TE20G574
17.3	2	Liner	TE20G579
22	1	Washer	TE20G584
24	1	Bearing for Turbine shaft top	TE20G548

Pos	Qty	Denomination	Item no.
		Service Kit for Toftejorg TJ20G PEEK, serial no. between 0101 001 and 0603 099	TE20G286
Consisting of:			
3	1	Bearing for Turbine shaft	TE20G549
9.1	2	Bushing	TE20G621
10	2	Ball retainer w. balls	TE20G318
14	1	Slide bearing	TE20G558
15.1	2	Cotter pin	TE51C102
15.3	1	Bearing for Planet Gear carrier	TE20G545
15.4	1	Planet wheel I	TE20G535
15.5	1	Planet wheel II	TE20G536
17.2	2	Ball race	TE20G574
22	1	Washer	TE20G584
24	1	Bearing for Turbine shaft top	TE20G548

Pos	Qty	Denomination	Part No.
		Major Service Kit for Toftejorg TJ20G, serial no. between 0604 001 and 2013-20222	TE20G288
Consisting of:			
3	1	Bearing for turbine shaft	TE20G549
9	1	Stem nut with ball race	TE20G571
10	2	Ball retainer w. balls	TE20G318
14	1	Slide bearing	TE20G558
15.1	1	Cotter pin	TE51C102
15.3	1	Bearing for Planet Gear carrier	TE20G545
15.4	1	Planet wheel I	TE20G535
15.5	1	Planet wheel II	TE20G536
15.7	1	Cotter pin	TE51C102
16.2	1	Ball race	TE20G574
17.2	1	Ball race	TE20G574
18	1	Hub nut with ball race	TE20G573
22	1	Washer with seal	TE20G584
24	1	Bearing for turbine shaft, top	TE20G548

2 Alfa Laval Toftejorg TJ20G previous version
Serial no. below 0101-001 or between 0101-001 and 0603-099

Pos	Qty	Denomination	Item no.
		Minor Service Kit for Toftejorg TJ20G, serial no. before 2013-20222	TE20G299

Consisting of:

3	1	Bearing for turbine shaft	TE20G549
14	1	Slide bearing	TE20G558
15.3	1	Bearing for Planet gear carrier	TE20G545
15.4	1	Planet wheel I	TE20G535
15.5	1	Planet wheel II	TE20G536
22	1	Washer	TE20G584
24	1	Bearing for turbine shaft, top	TE20G548

Pos	Qty	Denomination	Item no.
		Service Kit for Toftejorg TJ20G Hastelloy, serial no. before 2013-20222	TE20H28890

Consisting of:

3	1	Bearing for turbine shaft	TE20G549
9	1	Stem nut with ball race	TE20H571
10	2	Ball retainer with balls	TE20H318
14	1	Slide bearing	TE20G558
15.3	1	Bearing for Planet gear carrier	TE20G545
15.4	1	Planet wheel I	TE20G535
15.5	1	Planet wheel II	TE20G536
16.2	1	Ball race	TE20H574
17.2	1	Ball race	TE20H574
18	1	Hub nut with ball race	TE20H573
22	1	Bearing for turbine shaft, top	TE20G548
-	2	Locking wire	TE20H542

How to contact Alfa Laval

Contact details for all countries are continually updated on our website.

Please visit www.alfalaval.com to access the information directly.

© Alfa Laval Corporate AB

This document and its contents is owned by Alfa Laval Corporate AB and protected by laws governing intellectual property and thereto related rights. It is the responsibility of the user of this document to comply with all applicable intellectual property laws. Without limiting any rights related to this document, no part of this document may be copied, reproduced or transmitted in any form or by any means (electronic, mechanical, photocopying, recording, or otherwise), or for any purpose, without the expressed permission of Alfa Laval Corporate AB. Alfa Laval Corporate AB will enforce its rights related to this document to the fullest extent of the law, including the seeking of criminal prosecution.