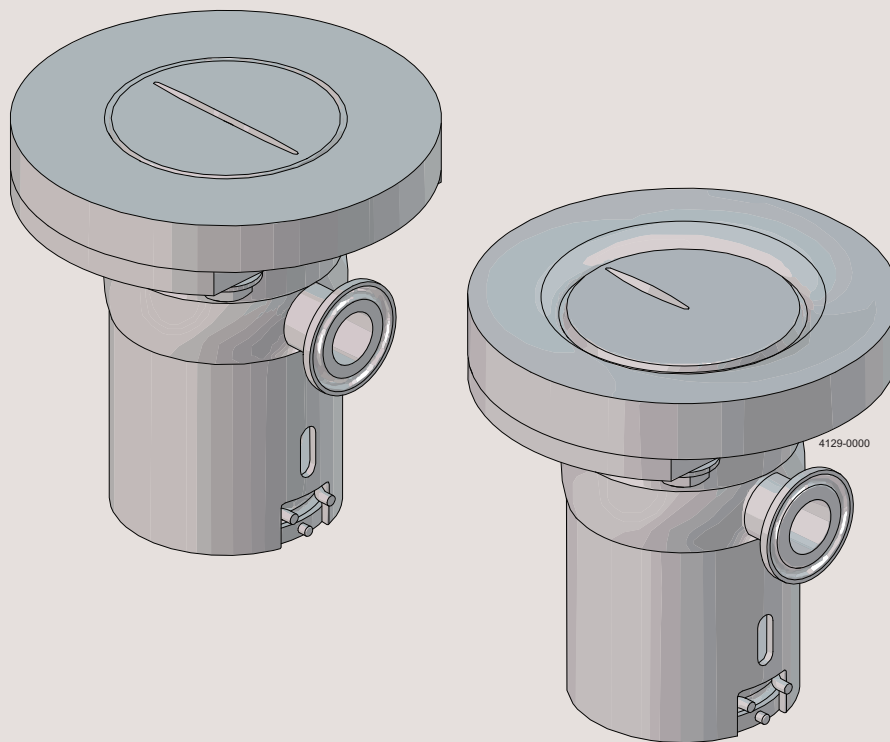




## Spare Parts

Alfa Laval PlusClean® - Alfa Laval PlusClean® UltraPure



100001949-EN1 2021-10

Original manual

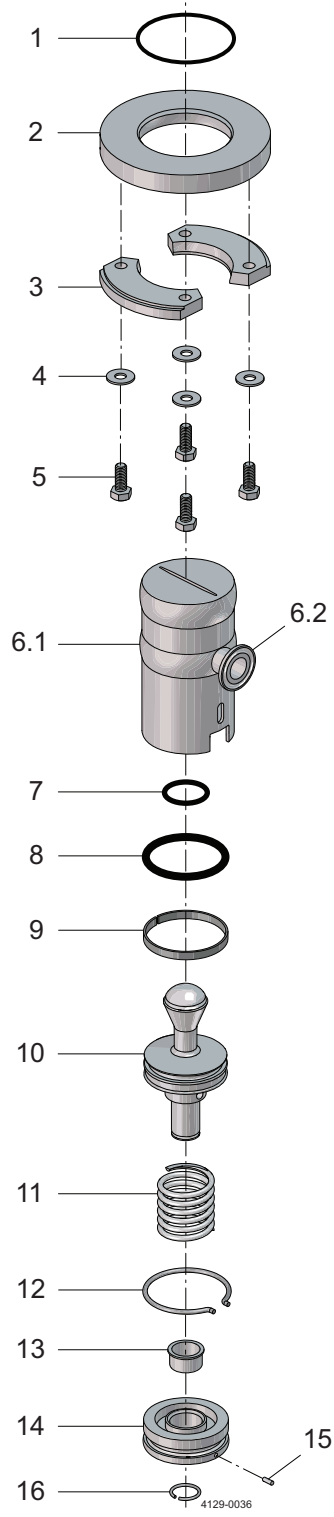


# Table of contents

---

*The information herein is correct at the time of issue but may be subject to change without prior notice*

<b>1. Media driven</b> .....	<b>4</b>
<b>2. Pneumatic driven</b> .....	<b>6</b>
<b>3. Tool kits</b> .....	<b>8</b>



## Media driven

Pos	Qty	Denomination	Item no.
1	1	O-ring, FEP - Adjustable weld plate	8010000495
	1	O-ring, FEP - Fixed weld plate	8010000496
2	1	Weld plate, Adjustable	8010000481
	1	Weld plate, Fixed	8010000482
3	2	Locking ring, Adjustable weld plate	8010000483
	2	Locking ring, Fixed weld plate	8010000484
4	4	Washer	TE2601000349
5	4	Screw, M8x1.25	TE2601000389
6.1	1	Body, with Offset Slot and DN15 inlet*	On request
	1	Body, with Wide Center Slot and DN15 inlet*	On request
	1	Body, with Narrow Center Slot and DN15 inlet*	On request
	1	Body, with Offset Slot and 3/4"ASME inlet*	On request
	1	Body, with Wide Center Slot and 3/4"ASME inlet*	On request
	1	Body, with Narrow Center Slot and 3/4"ASME inlet*	On request
6.2	1	Inlet	
7	1	O-ring, FEP	
8	1	O-ring, EPDM	
9	1	Guide ring, PTFE	
10	1	Piston,	8010000479
	1	Piston, UltraPure	8010001108
11	1	Spring	9612938202
12	1	Retaining ring	8010000498
13	1	Bushing	9613125002
14	1	End plate	8010000480
15	1	Positioning pin	TE2601000350
16	1	Retaining ring	9615477201

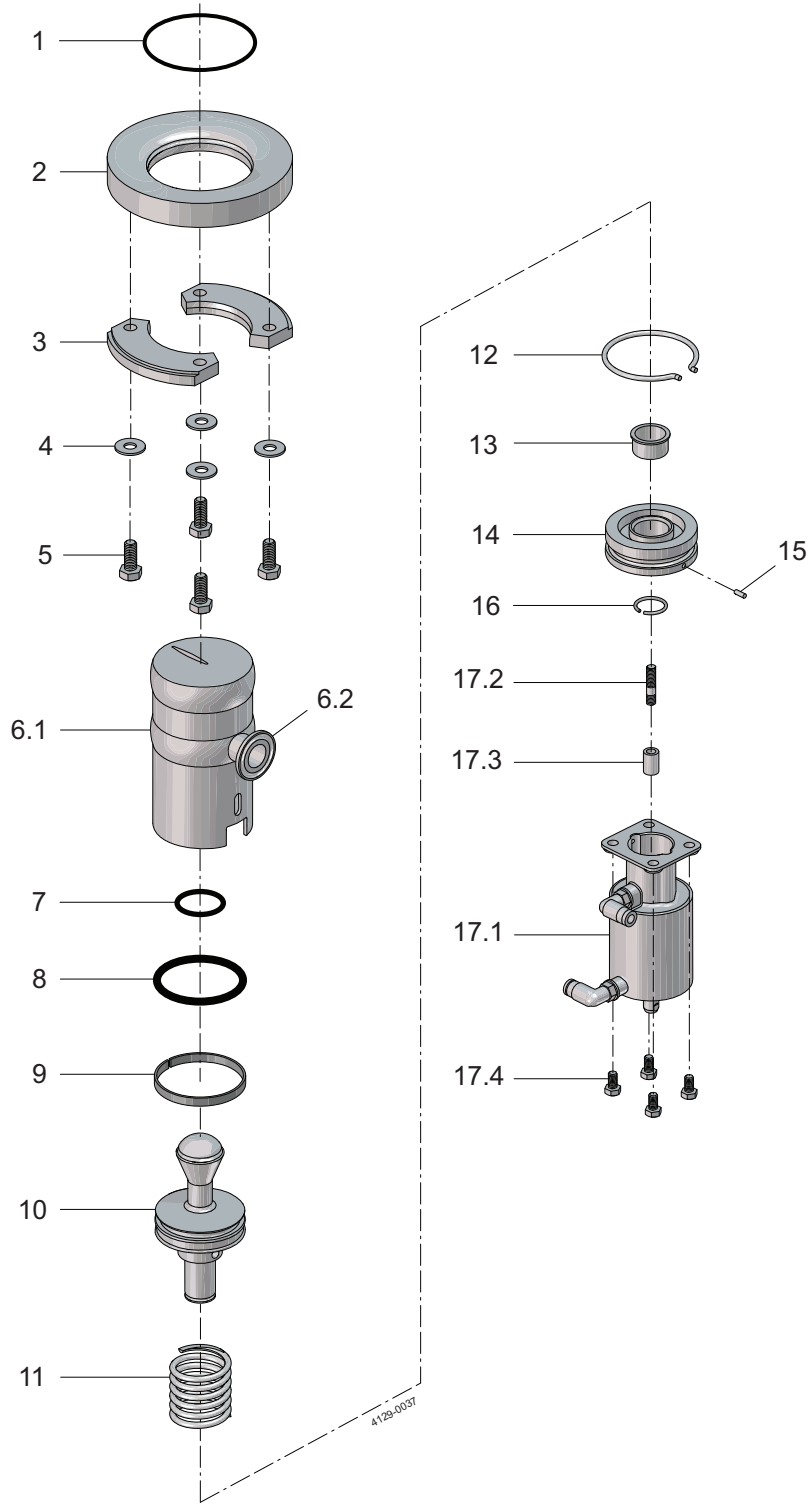
\* Also available in UltraPure upon request.

### Item no.

#### Service kit

Standard service kit	8010000995
Service kit, UltraPure (Q-doc)	8010000996

Parts marked with ♦ are included in the service kits.



## Pneumatic driven

Pos	Qty	Denomination	Item no.
1	1	O-ring, FEP - Adjustable weld plate .....	8010000495
	1	O-ring, FEP - Fixed weld plate .....	8010000496
2	1	Weld plate, Adjustable .....	8010000481
	1	Weld plate, Fixed .....	8010000482
3	2	Locking ring, Adjustable weld plate .....	8010000483
	2	Locking ring, Fixed weld plate .....	8010000484
4	4	Washer .....	TE2601000349
5	4	Screw, M8x1.25 .....	TE2601000389
6.1	1	Body, with Offset Slot and DN15 inlet* .....	On request
	1	Body, with Wide Center Slot and DN15 inlet* .....	On request
	1	Body, with Narrow Center Slot and DN15 inlet* .....	On request
	1	Body, with Offset Slot and 3/4"ASME inlet* .....	On request
	1	Body, with Wide Center Slot and 3/4"ASME inlet* .....	On request
	1	Body, with Narrow Center Slot and 3/4"ASME inlet* .....	On request
6.2	1	Inlet .....	
7	♦	O-ring, FEP .....	
8	♦	O-ring, EPDM .....	
9	♦	Guide ring, PTFE .....	
10	1	Piston, .....	8010000479
	1	Piston, UltraPure .....	8010001108
11	1	Spring .....	9612938202
12	1	Retaining ring .....	8010000498
13	1	Bushing .....	9613125002
14	1	End plate .....	8010000480
15	1	Positioning pin .....	TE2601000350
16	1	Retaining ring .....	9615477201
17.1	1	PlusClean Actuator, complete .....	8010003107
17.2	1	Connecting stud .....	
17.3	1	Actuator spacer .....	
17.4	4	Screw .....	

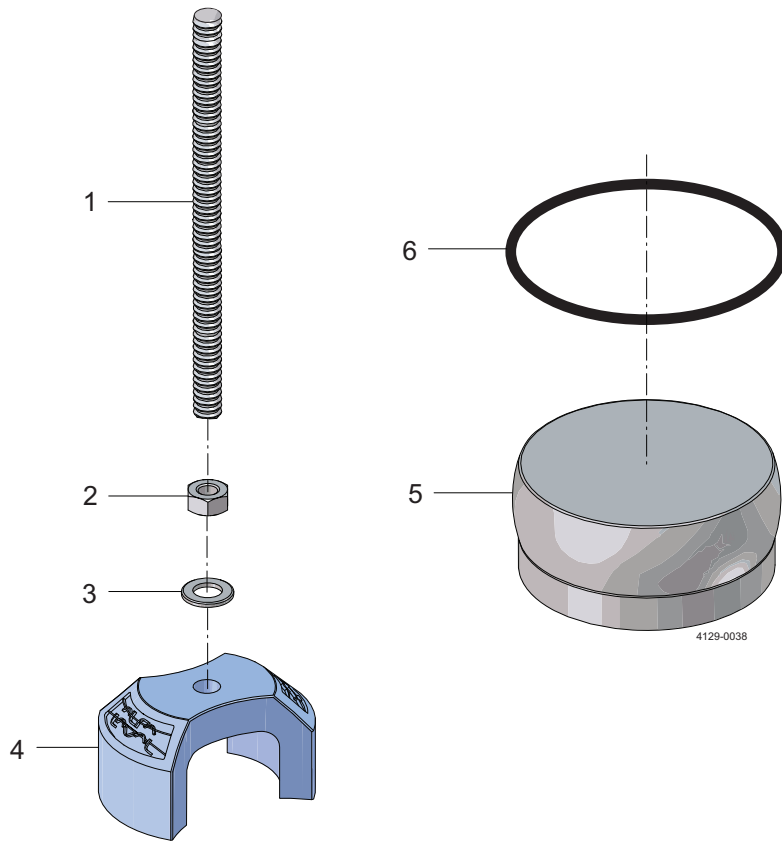
\* Also available in UltraPure upon request.

### Item no.

#### Service kit

Standard service kit .....	8010000995
Service kit, UltraPure (Q-doc) .....	8010000996

Parts marked with ♦ are included in the service kits.





## Tool kits

---

Pos	Qty	Denomination	Item no.
1	□	1 Screw, (M6x1) .....	
2	□	1 Nut .....	
3	□	1 Washer .....	
4	□	1 Spring mounting tool .....	
5	◆○	1 Blind cap .....	
6	◆	1 O-ring, FEP - Adjustable weld plate .....	
	○	1 O-ring, FEP - Fixed weld plate .....	

---

Item no.

### Tool kits

□	Spring tool kit .....	8010001093
◆	Blind cap tool kit for adjustable weld plate .....	8010003082
○	Blind cap tool kit for fixed weld plate .....	8010003083

Parts marked with □◆○ are included in the tool kits.

**How to contact Alfa Laval**

Contact details for all countries are continually updated on our website.

Please visit [www.alfalaval.com](http://www.alfalaval.com) to access the information directly.

© Alfa Laval Corporate AB

This document and its contents is owned by Alfa Laval Corporate AB and protected by laws governing intellectual property and thereto related rights. It is the responsibility of the user of this document to comply with all applicable intellectual property laws. Without limiting any rights related to this document, no part of this document may be copied, reproduced or transmitted in any form or by any means (electronic, mechanical, photocopying, recording, or otherwise), or for any purpose, without the expressed permission of Alfa Laval Corporate AB. Alfa Laval Corporate AB will enforce its rights related to this document to the fullest extent of the law, including the seeking of criminal prosecution.