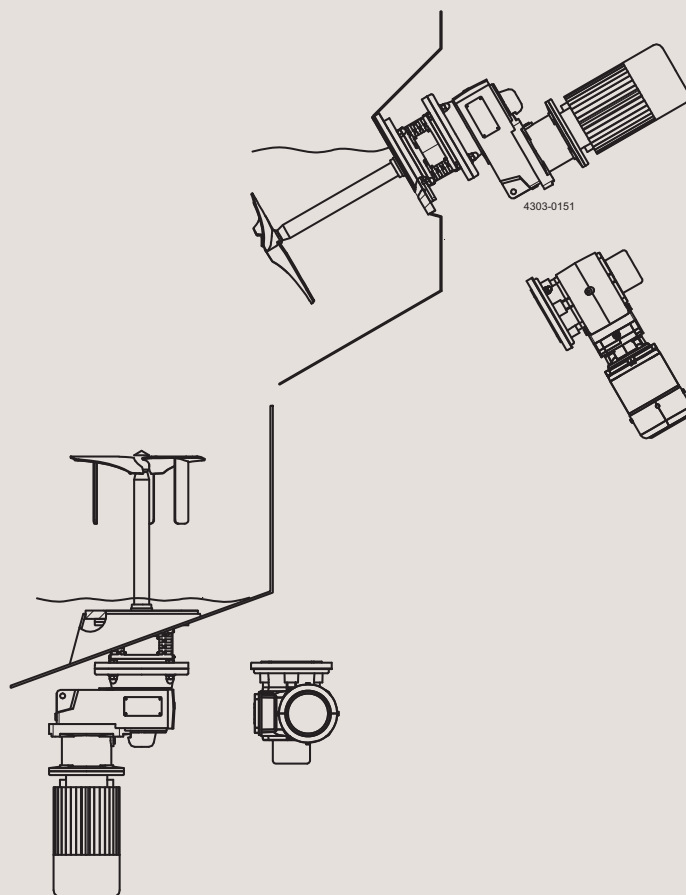




Spare Parts

Alfa Laval Agitator - ALS / ALB - ATEX



100000819-EN1

2018-11

Original manual

The information herein is correct at the time of issue but may be subject to change without prior notice

| | |
|---|----------|
| 1. Agitator ALS ALB ATEX - size Ø30, Ø40 | 4 |
|---|----------|

Agitator ALS ALB ATEX - size Ø30, Ø40

| Pos | Qty | Denomination | size: Ø30 | size: Ø40 |
|------|-------|--|--------------|--------------|
| 4 | 1 | GR gear motor, hollow shaft | RI | RI |
| 5 | 1 | GP gear motor, hollow shaft | RI | RI |
| 6 | 1 | Shaft | RI | RI |
| 12 | 1 | Drive unit flange, (OD3=140), Sanitary / Industrial | TE26C3066960 | |
| | 1 | Drive unit flange, (OD3=160), Sanitary / Industrial | TE26C306016A | |
| | 1 | Drive unit flange, (OD3=200), Sanitary / Industrial | | TE26C304913A |
| | 1 | Drive unit flange, (OD3=250), Sanitary / Industrial | | TE26C306126A |
| 13 | 8 | Screw | TE2601000098 | TE2601000554 |
| 22 | 4 | Cap nut, (for flange OD3 = 140) | TE2601000263 | |
| | 4 | Cap nut, (for flange OD3 = 160) | TE2601000263 | |
| | 4 | Cap nut, (for flange OD3 = 200) | | TE2601000355 |
| 23 | 4 | Washer, (for flange OD3 = 140) | TE2601000349 | |
| | 4 | Washer, (for flange OD3 = 160), height 2,5mm | TE2601094010 | |
| | 4 | Washer, (for flange OD3 = 200) | | TE2601000346 |
| | 4 | Washer, (for flange OD3 = 250) | | TE2601000347 |
| | 4 | Washer, (for flange OD3 = 250), height 4mm | | TE2601094060 |
| 24 | 4 | Stud, (for flange OD3 = 140) | TE2601000312 | |
| | 4 | Stud, (for flange OD3 = 160) | TE2601000034 | |
| | 4 | Stud, (for flange OD3 = 200) | | TE2601000307 |
| 25 | 4 | Screw, (for flange OD3 = 250), length 45mm | | TE2601000342 |
| | 4 | Screw, (for flange OD3 = 250), length 50mm | | TE2601000531 |
| 36 | 1 | Lantern, Sanitary / Industrial | TE26C401095A | TE26C4010110 |
| 158 | 2 | Guard | 9615272801 | 9615316701 |
| 159 | 8 | Screw | TE2601000031 | TE2601000031 |
| 160 | 8 | Cap nut | TE2601000262 | TE2601000263 |
| 37 | 8 | Stud | TE2601000311 | TE2601000312 |
| 38 | 8 | Stud | TE2601000061 | |
| 39 | 4 | Stud, (for flange OD2=200) | TE2601000306 | |
| | 4 | Stud, (for flange OD2=250) | | TE2601000305 |
| | 4 | Stud, (for flange, raised OD2=250) | | TE2601000570 |
| 40 | 4 | Cap nut, (for flange OD2=200) | TE2601000355 | |
| | 4 | Cap nut, (for flange OD2=250) | | TE2601000261 |
| 41 | 1 | O-ring, FEP (for flange OD2=134) | TE2601000078 | |
| | 1 | O-ring, FEP (for flange OD2=200) | TE2601000073 | |
| | 1 | O-ring, FEP (for flange OD2=220) | TE2601000073 | |
| | 1 | O-ring, FEP (for flange OD2=250) | | TE2601000074 |
| 42 | 1 | O-ring, FEP (for flange, raised OD2=134) | TE2601000078 | |
| | 1 | O-ring, FEP (for flange, raised OD2=200) | TE2601000073 | |
| | 1 | O-ring, FEP (for flange, raised OD2=250) | | TE2601000396 |
| 132 | 1 | Mounting flange, EN1092, std. (OD2=250), Sanitary / Industrial | | TE26C3094420 |
| | 1 | Mounting flange, EN1092, std. (OD2=220), Sanitary / Industrial | TE26C3063000 | |
| | 1 | Mounting flange, AL, raised* (OD2=250), Sanitary / Industrial | | TE26C3085330 |
| | 1 | Mounting flange, AL, raised* (OD2=200), Sanitary / Industrial | TE26C3084940 | |
| | 1 | Mounting flange, AL, raised* (OD2=134), Sanitary / Industrial | TE26C3084890 | |
| | 1 | Mounting flange, AL, std. (OD2=250), Sanitary / Industrial | | TE26C3038820 |
| | 1 | Mounting flange, AL, std. (OD2=200), Sanitary / Industrial | TE26C3049030 | |
| | 1 | Mounting flange, AL, std.* (OD2=134), Sanitary / Industrial | TE26C3087930 | |
| 88 | □ | S3 seal, C/SiC, FPM, ATEX II 2G c TX | TE2602000293 | TE2602000294 |
| | ◆ | S3 seal, C/SiC, EPDM, ATEX II 2G c TX | TE2602000200 | TE2602000292 |
| | ○ | S3 seal, SiC/SiC, FPM, ATEX II 2G c TX | TE2602000296 | TE2602000298 |
| | * | S3 seal, SiC/SiC, EPDM, ATEX II 2G c TX | TE2602000290 | TE2602000295 |
| 90 | 1 | Oil trap | TE2604061570 | TE2604055860 |
| 91 | 1 | O-ring | TE2601000287 | TE2601000292 |
| 157 | 1 | Spring, ring | 9615432201 | 9615432301 |
| 108 | 1 | O-ring, FEP (for shaft size OD1=25) | TE2601000243 | TE2601000243 |
| | 1 | O-ring, FEP (for shaft size OD1=30) | TE2601000244 | TE2601000244 |
| | 1 | O-ring, FEP (for shaft size OD1=35) | | TE2601000245 |
| | 1 | O-ring, FEP (for shaft size OD1=40) | | TE2601000246 |
| 109 | 4/Imp | Screw, pointed, M6 | TE2601000357 | |
| | 4/Imp | Screw, pointed, M8 | TE2601000358 | TE2601000358 |
| | 4/Imp | Screw, pointed, M10 | TE2601000015 | TE2601000015 |
| | 4/Imp | Screw, pointed, M12 | TE2601000212 | TE2601000212 |
| 125 | 1 | Name plate | 9615273101 | 9615273101 |
| 126 | 4 | Rivet | TE2601000391 | TE2601000391 |
| 130 | 1 | Parallel key | 9615362101 | |
| | 1 | Parallel key, (for shaft OD4=30) | | 9615362101 |
| | 1 | Parallel key, (for shaft OD4=35) | | 9615316901 |
| 142 | 1 | Welding flange*, (OD2=134) | TE2603029400 | |
| 143 | 1 | Welding flange, * | TE2603023920 | TE2603021790 |
| | 1 | Welding flange | TE2603023190 | TE2603022590 |
| 144 | 1 | Welding flange, raised*, (OD2=134) | TE2603054260 | |
| | 1 | Welding flange, raised*, (OD2=200) | TE2603070250 | |
| | 1 | Welding flange, raised*, (OD2=250) | | TE2603034430 |
| 146 | 1 | Fixing element | 9615269506 | |
| | 1 | Fixing element, (for shaft OD4=30) | | 9615269503 |
| | 1 | Fixing element, (for shaft OD4=35) | | 9615269504 |
| 147 | 1 | Screw | 9615362001 | |
| | 1 | Screw, (for shaft OD4=30) | | 9615362001 |
| | 1 | Screw, (for shaft OD4=35) | | 9615317001 |
| Imp1 | 1 | Impeller device, EnSaFoil (E125-E1900, D2(L), D3(L)) | RI | RI |

RI = Request Item. Article number available upon request by serial number or article number of the agitator.

* Only ALB agitators

size: Ø30 size: Ø40

Seal kits

| | | | |
|---|---|--------------|--------------|
| □ | S3 seal, C/SiC, FPM, ATEX II 2G c TX | TE2602000293 | TE2602000294 |
| ◆ | S3 seal, C/SiC, EPDM, ATEX II 2G c TX | TE2602000200 | TE2602000292 |
| ○ | S3 seal, SiC/SiC, FPM, ATEX II 2G c TX | TE2602000296 | TE2602000298 |
| ★ | S3 seal, SiC/SiC, EPDM, ATEX II 2G c TX | TE2602000290 | TE2602000295 |

How to contact Alfa Laval

Contact details for all countries are continually updated on our website.

Please visit www.alfalaval.com to access the information directly.

© Alfa Laval Corporate AB

This document and its contents is owned by Alfa Laval Corporate AB and protected by laws governing intellectual property and thereto related rights. It is the responsibility of the user of this document to comply with all applicable intellectual property laws. Without limiting any rights related to this document, no part of this document may be copied, reproduced or transmitted in any form or by any means (electronic, mechanical, photocopying, recording, or otherwise), or for any purpose, without the expressed permission of Alfa Laval Corporate AB. Alfa Laval Corporate AB will enforce its rights related to this document to the fullest extent of the law, including the seeking of criminal prosecution.